



US00D693227S

(12) **United States Design Patent**  
**Gonzalez Rodriguez**

(10) **Patent No.:** **US D693,227 S**

(45) **Date of Patent:** **\*\* Nov. 12, 2013**

(54) **BOTTLE**

(75) Inventor: **Alonso Gonzalez Rodriguez**, Estado de México (MX)

(73) Assignee: **Grupo Pavisa S.A. de C.V.**, Naucalpan Estado de Mexico (MX)

(\*\*) Term: **14 Years**

(21) Appl. No.: **29/415,838**

(22) Filed: **Mar. 14, 2012**

(51) **LOC (9) Cl.** ..... **09-01**

(52) **U.S. Cl.**  
USPC ..... **D9/544; D9/545; D9/573**

(58) **Field of Classification Search**  
USPC ..... D9/545, 500, 503-505, 516, 529, 537,  
D9/539-540, 542-543, 549, 558, 572-575,  
D9/686-687, 694; 215/379, 381-382;  
220/660, 669-670

See application file for complete search history.

(56) **References Cited**

**U.S. PATENT DOCUMENTS**

D294,122 S \* 2/1988 Weber ..... D9/571  
D544,362 S \* 6/2007 Rica ..... D9/544

D548,606 S \* 8/2007 Rica ..... D9/544  
D559,696 S \* 1/2008 Didier ..... D9/544  
D559,697 S \* 1/2008 Didier ..... D9/544  
D562,143 S \* 2/2008 Didier ..... D9/544  
D656,830 S \* 4/2012 Rodriguez ..... D9/544

\* cited by examiner

*Primary Examiner* — Wan Laymon

(74) *Attorney, Agent, or Firm* — Birch, Stewart, Kolasch & Birch, LLP

(57) **CLAIM**

The ornamental design for a bottle, as shown and described.

**DESCRIPTION**

FIG. 1 is a perspective view of a bottle showing my new design;

FIG. 2 is a front view thereof;

FIG. 3 is a left side view thereof;

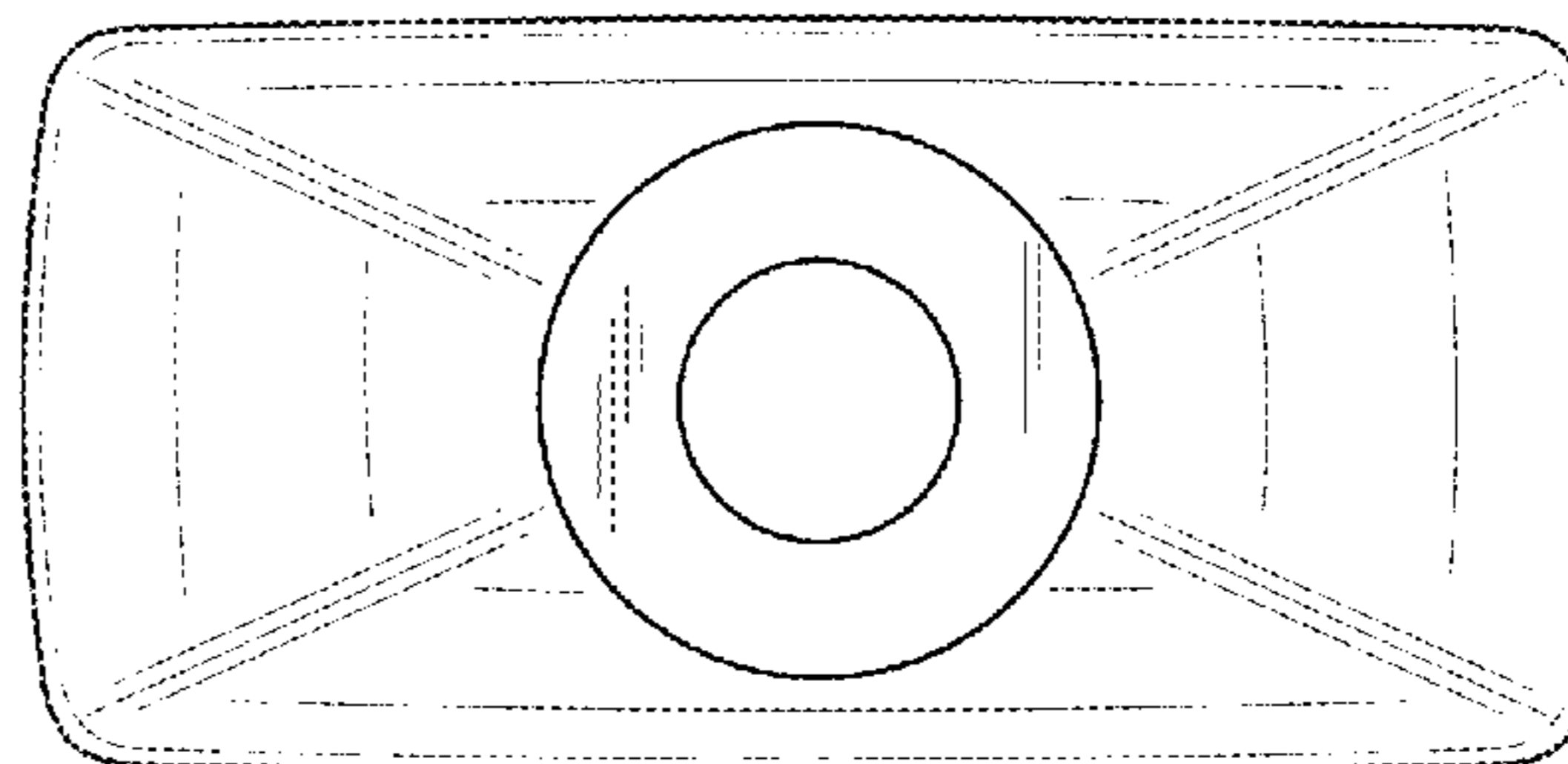
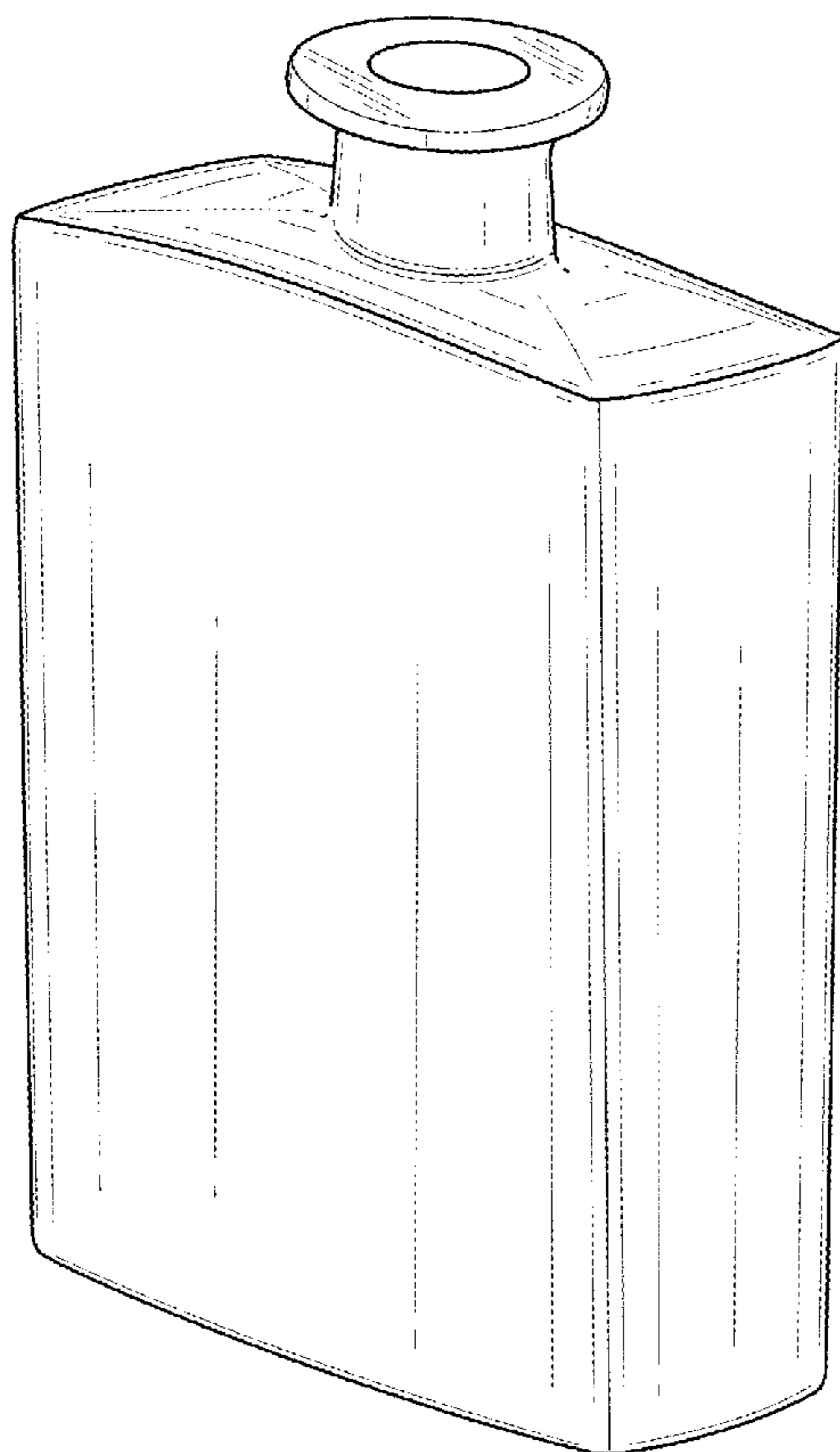
FIG. 4 is a top view thereof; and,

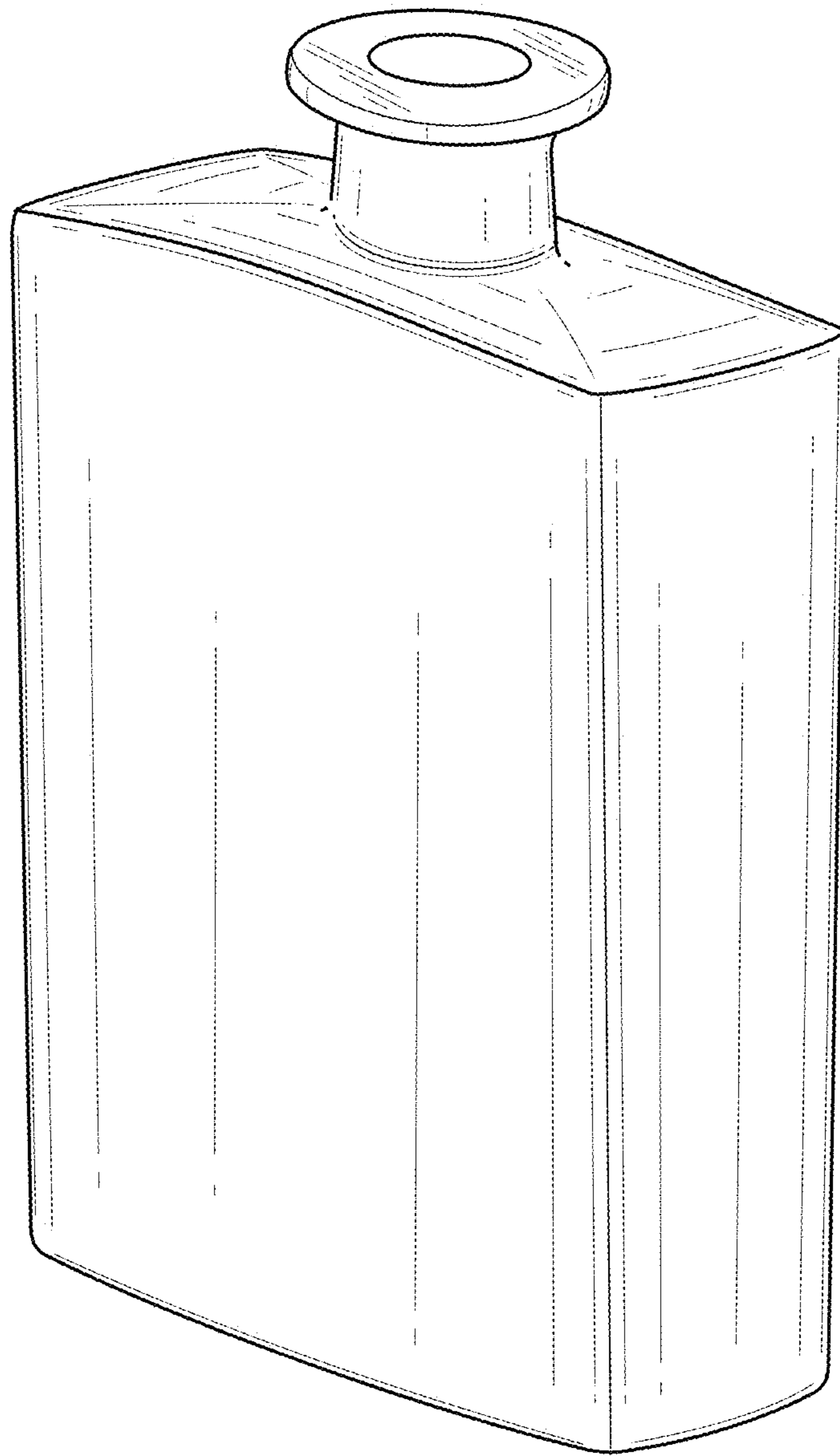
FIG. 5 is a bottom view thereof.

The portions shown in broken lines are directed to the boundary of the design and form no part of the claimed design.

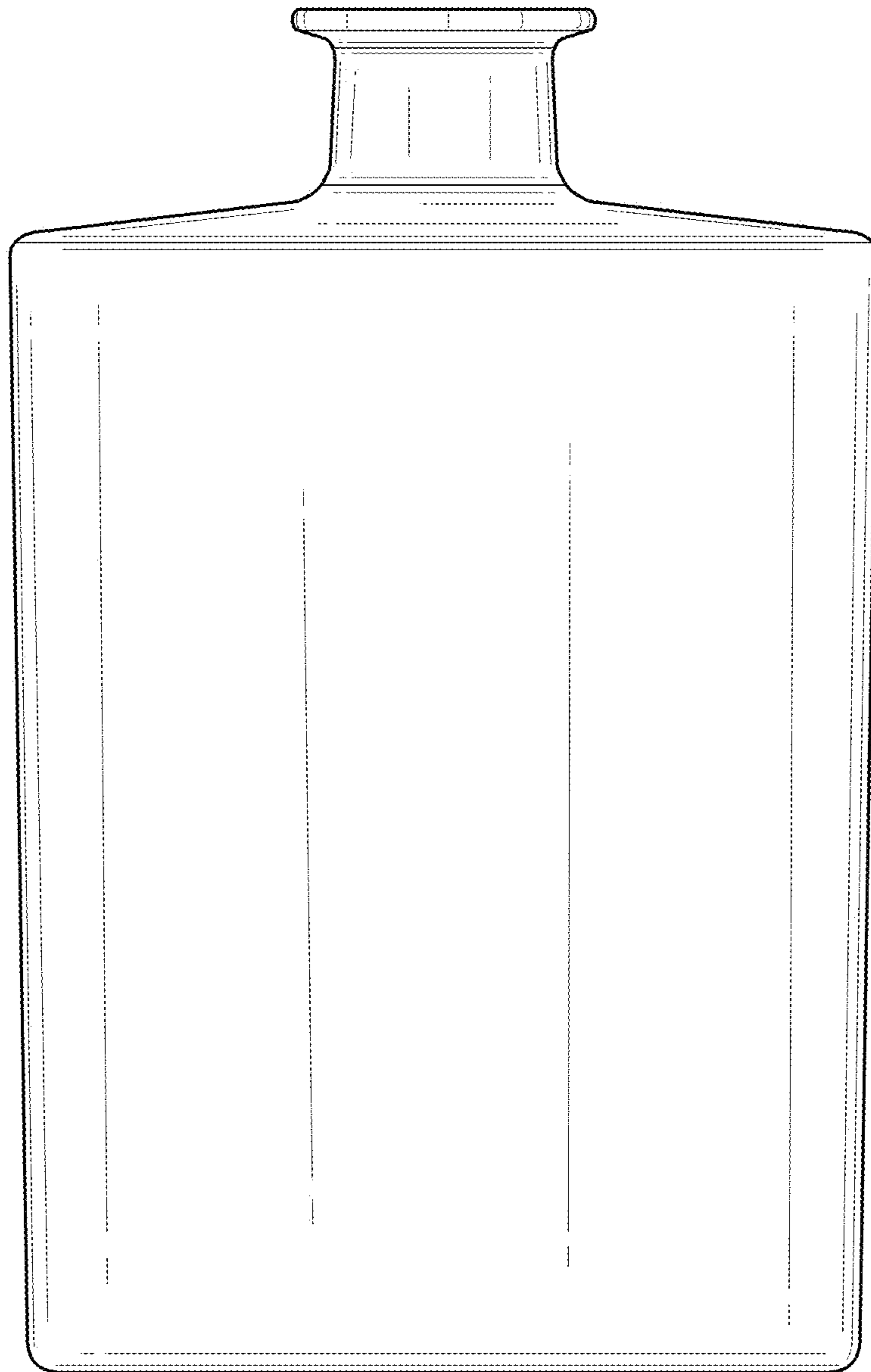
The right side view is the same as the left side view and the rear view is the same as the front view.

**1 Claim, 4 Drawing Sheets**

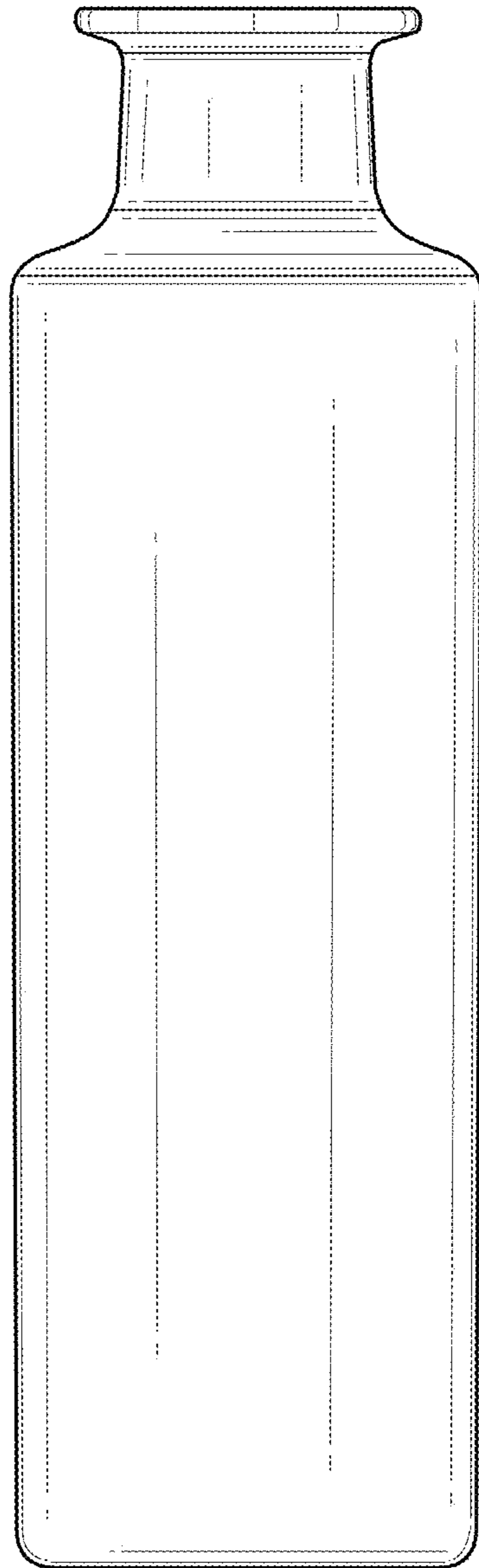




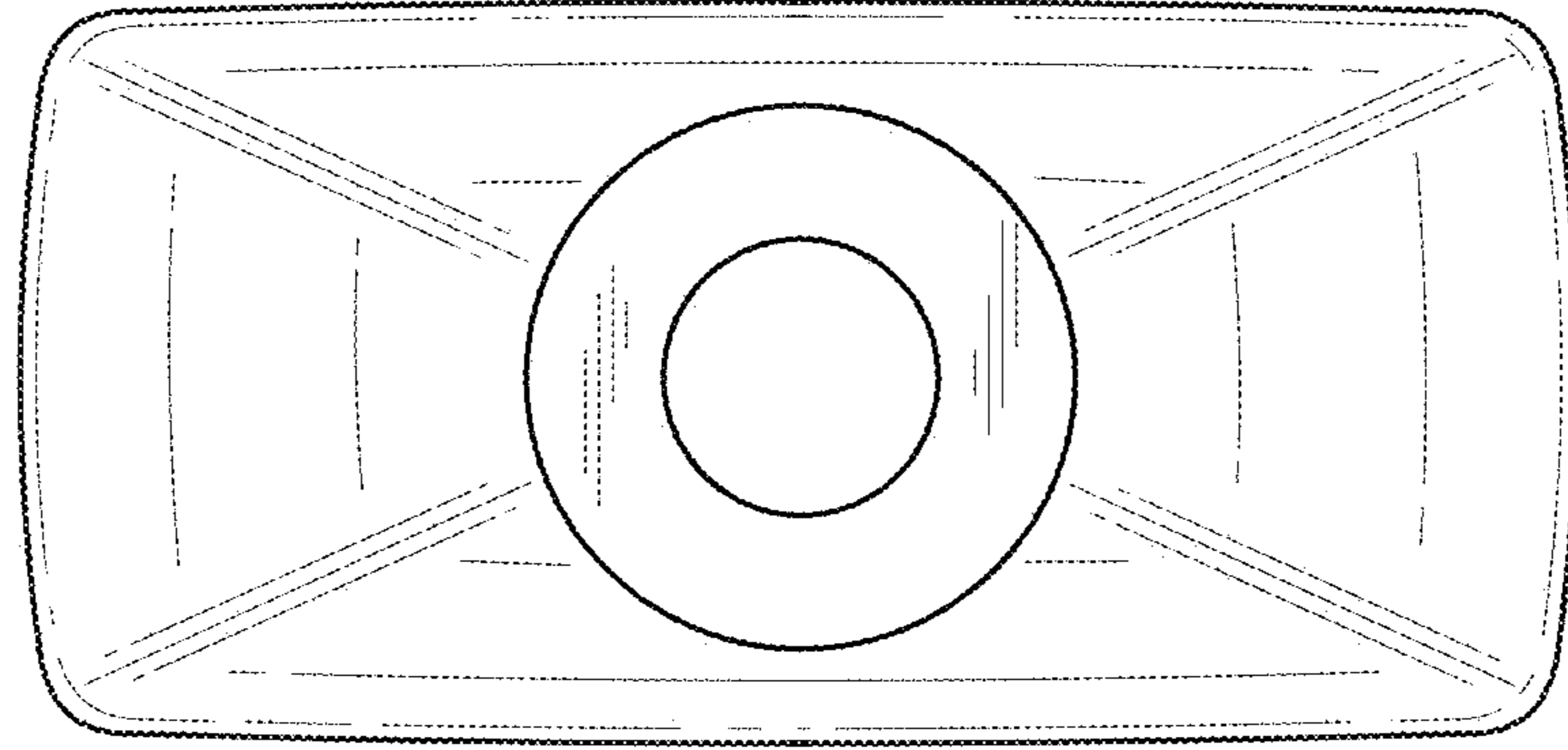
**FIG. 1**



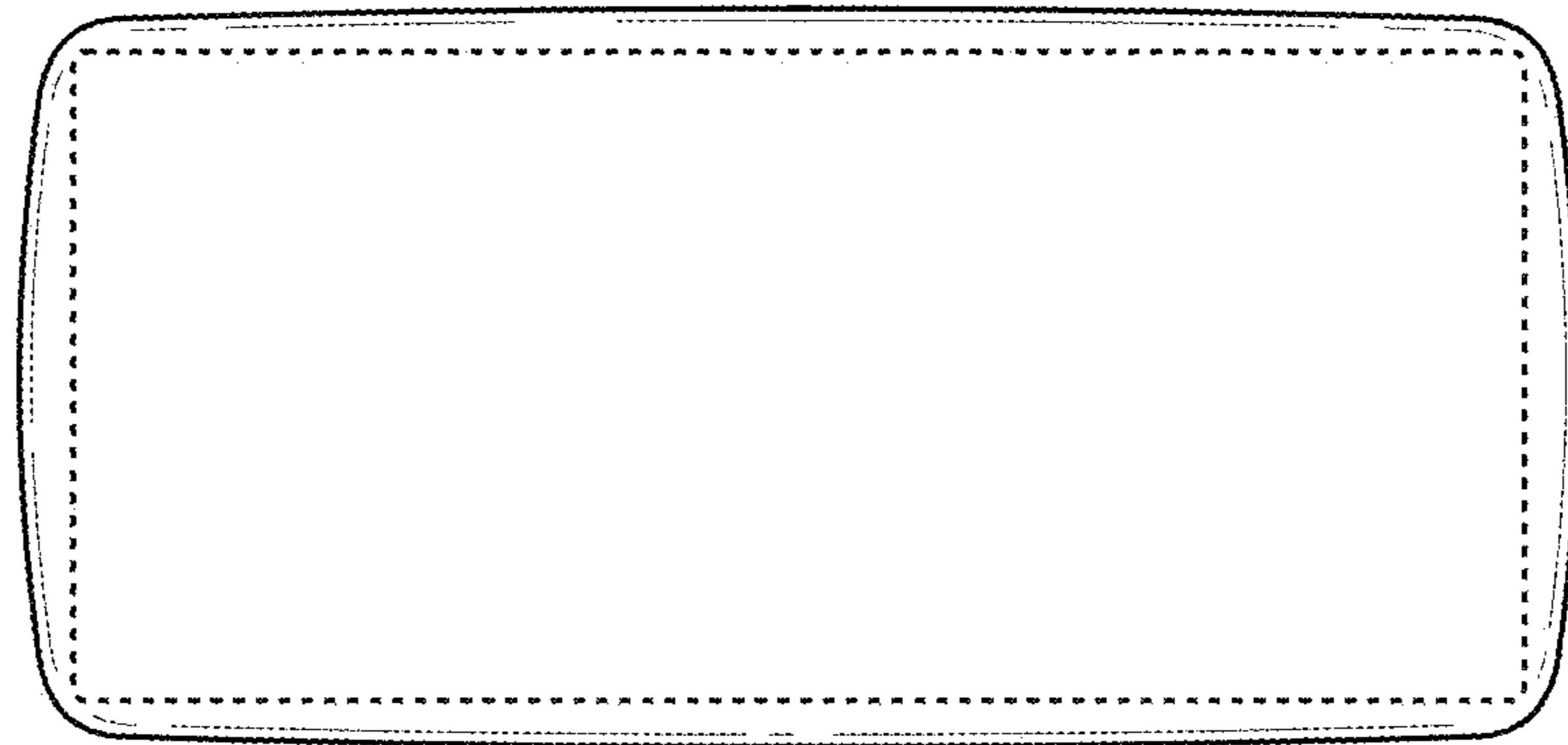
**FIG. 2**



**FIG. 3**



**FIG. 4**



**FIG. 5**