

US00D693222S

(12) **United States Design Patent**
Ramsey et al.

(10) **Patent No.:** **US D693,222 S**

(45) **Date of Patent:** **** Nov. 12, 2013**

(54) **CLOSURE**

- (71) Applicant: **Crown Packaging Technology, Inc.,**
Alsip, ID (US)
- (72) Inventors: **Christopher Paul Ramsey, Wantage**
(GB); **Laura Vaughan, Eglinton** (GB)
- (73) Assignee: **Crown Packaging Technology, Inc.,**
Alsip, IL (US)

(**) Term: **14 Years**

(21) Appl. No.: **29/439,343**

(22) Filed: **Dec. 10, 2012**

(30) **Foreign Application Priority Data**

Jun. 8, 2012 (EM) 002054650

(51) **LOC (9) Cl.** **09-07**

(52) **U.S. Cl.**
USPC **D9/453**

(58) **Field of Classification Search**
USPC D9/455, 454, 453, 444, 440, 435, 434;
D7/396.2; D30/152; D2/627; D11/218,
D11/216, 215; 40/310; 222/490; 220/903,
220/739, 200; 215/200

See application file for complete search history.

(56) **References Cited**

U.S. PATENT DOCUMENTS

D368,658 S *	4/1996	Hirsch	D9/453
D513,587 S *	1/2006	Forte	D9/452
D518,717 S *	4/2006	German	D9/453
D527,632 S *	9/2006	Romer	D9/453
D534,802 S *	1/2007	German	D9/453
D637,906 S *	5/2011	Rigling et al.	D9/446

* cited by examiner

Primary Examiner — Susan Bennett Hattan

(74) *Attorney, Agent, or Firm* — The Patentwise Group, LLC

(57) **CLAIM**

The ornamental design for a “closure,” as shown and described.

DESCRIPTION

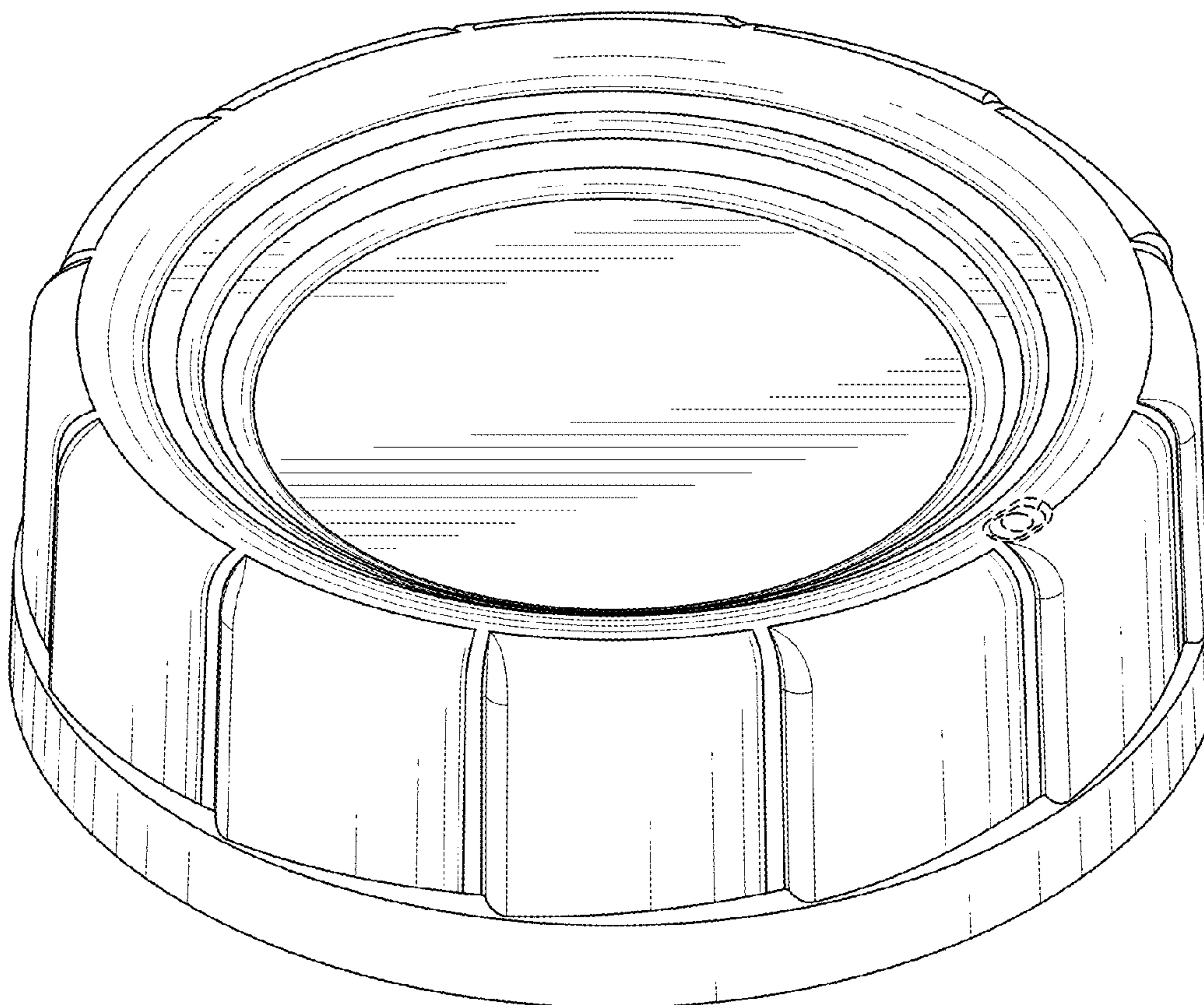
FIG. 1 is a top perspective view showing our new design, with a top perspective view taken from an opposing side having the same appearance;

FIG. 2 is a bottom perspective view; and,

FIG. 3 is a top plan view.

Any broken lines in the drawings depict probable environment only and form no part of the claimed design.

1 Claim, 3 Drawing Sheets



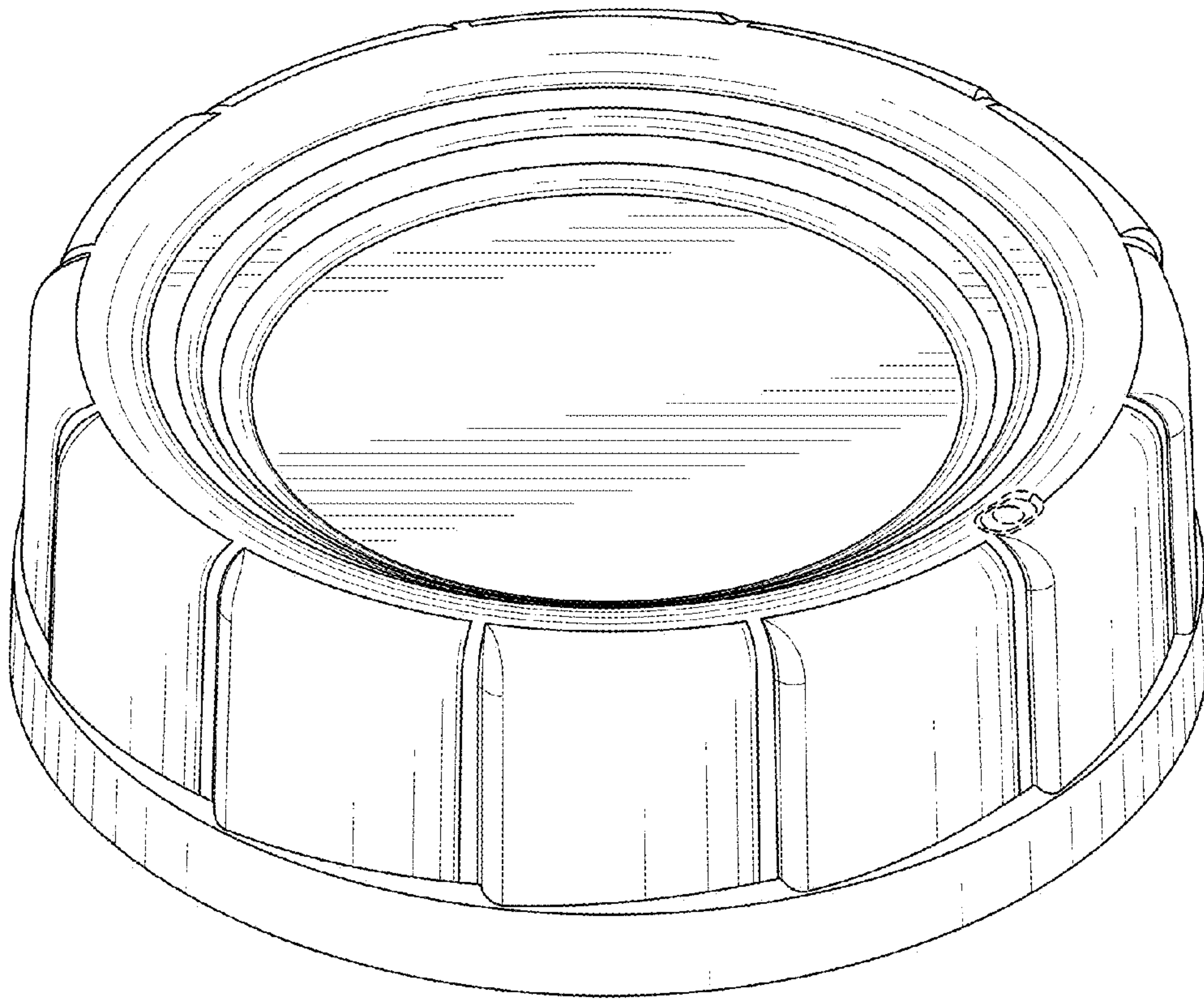


FIG. 1

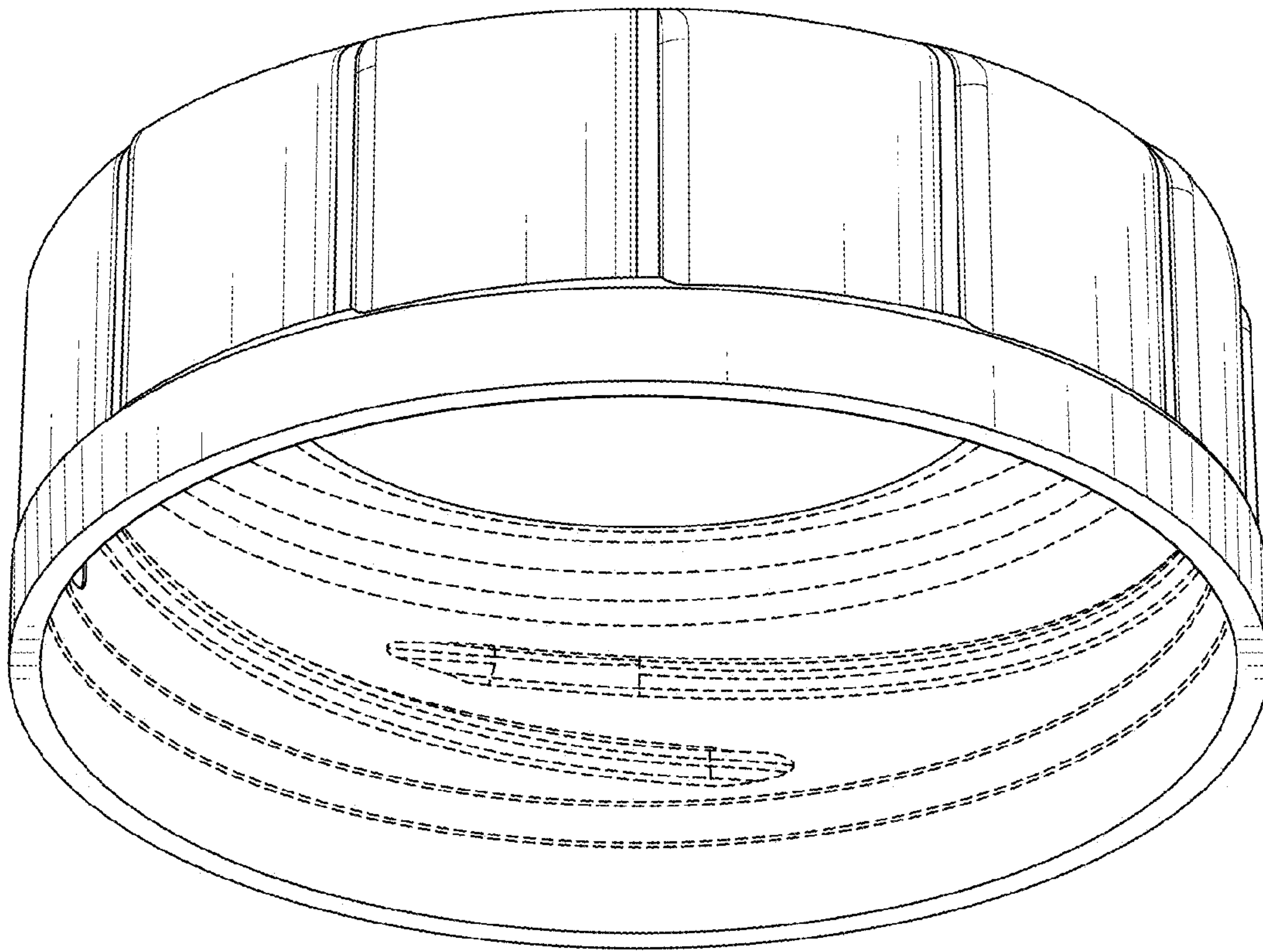


FIG. 2

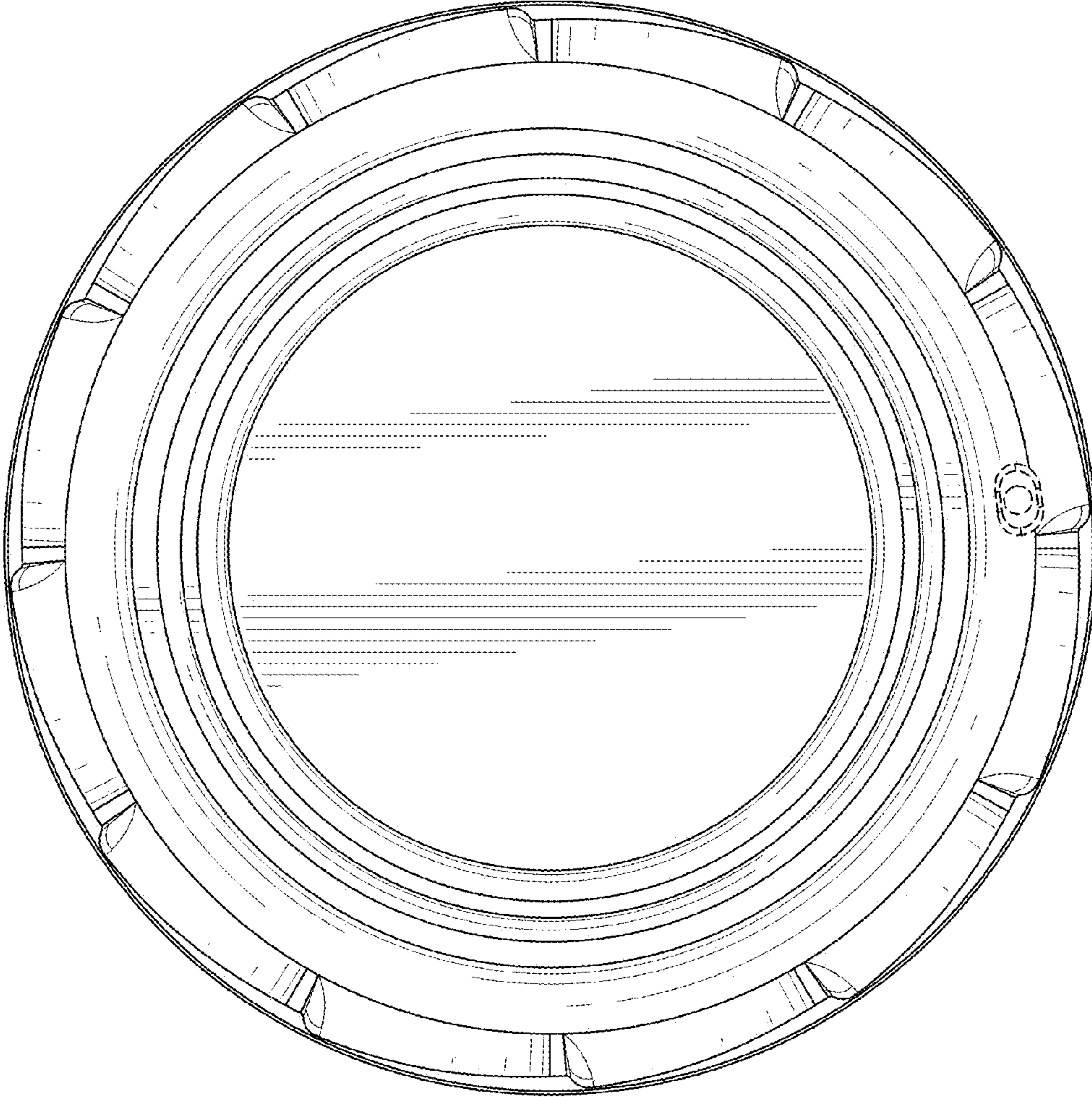


FIG. 3