



US00D693220S

(12) **United States Design Patent**
Luo

(10) **Patent No.:** **US D693,220 S**

(45) **Date of Patent:** **** Nov. 12, 2013**

(54) **SAFE SEALING CAP**

(56) **References Cited**

(75) Inventor: **Shize Luo**, Guangdong (CN)

U.S. PATENT DOCUMENTS

(73) Assignee: **Shantou Honqiao Packaging Industry, Ltd.**, Guangdong (CN)

D272,324 S *	1/1984	Mumford et al.	D9/452
D356,871 S *	3/1995	Dunn	D24/197
D413,269 S *	8/1999	Hebert	D9/559
D564,884 S *	3/2008	Rittman	D9/522
D566,565 S *	4/2008	Rittman	D9/522

(**) Term: **14 Years**

* cited by examiner

(21) Appl. No.: **29/429,339**

Primary Examiner — Susan Bennett Hattan

(22) Filed: **Aug. 9, 2012**

(74) *Attorney, Agent, or Firm* — Brinks Hofer Gilson & Lione

Related U.S. Application Data

(57) **CLAIM**

(63) Continuation of application No. 13/383,415, filed on Apr. 24, 2012.

The ornamental design for a safe sealing cap, as shown and described.

DESCRIPTION

(30) **Foreign Application Priority Data**

Dec. 19, 2011 (WO) PCT/CN2011/084193

(51) **LOC (9) Cl.** **09-07**

(52) **U.S. Cl.**
USPC **D9/452**; D9/439

(58) **Field of Classification Search**
USPC D9/529, 452, 445; D7/392.1;
D5/50-54; D24/224; 220/376, 293,
220/288, 281, 200

FIG. 1 is a front elevation view of safe sealing cap showing my new design;

FIG. 2 is a rear elevation view thereof;

FIG. 3 is a left elevation view thereof;

FIG. 4 is a right elevation view thereof;

FIG. 5 is a top elevation view thereof;

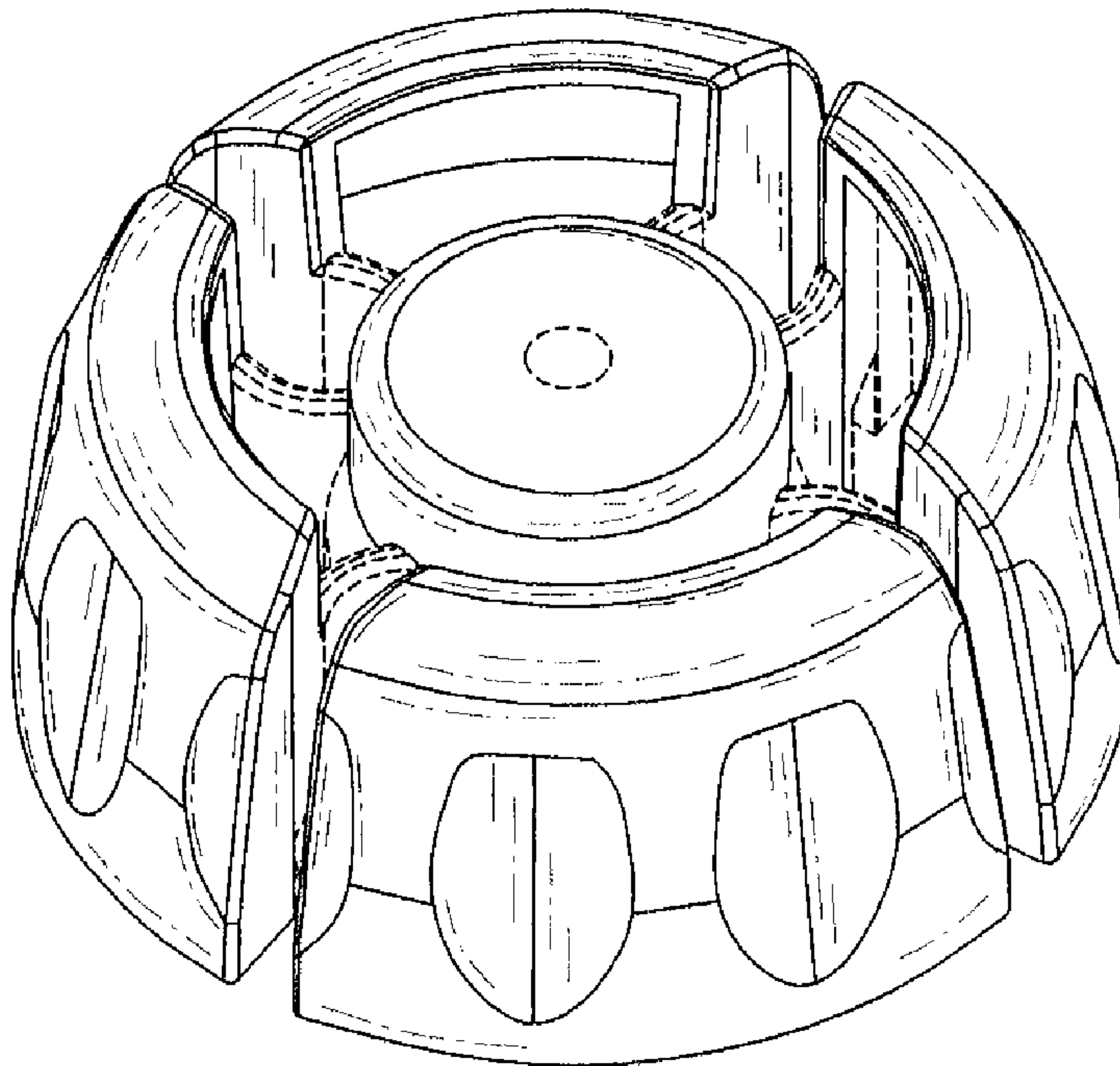
FIG. 6 is a bottom elevation view thereof; and,

FIG. 7 is a perspective view thereof.

Any broken lines in the drawings depict environmental subject matter only and form no part of the claimed design.

See application file for complete search history.

1 Claim, 3 Drawing Sheets



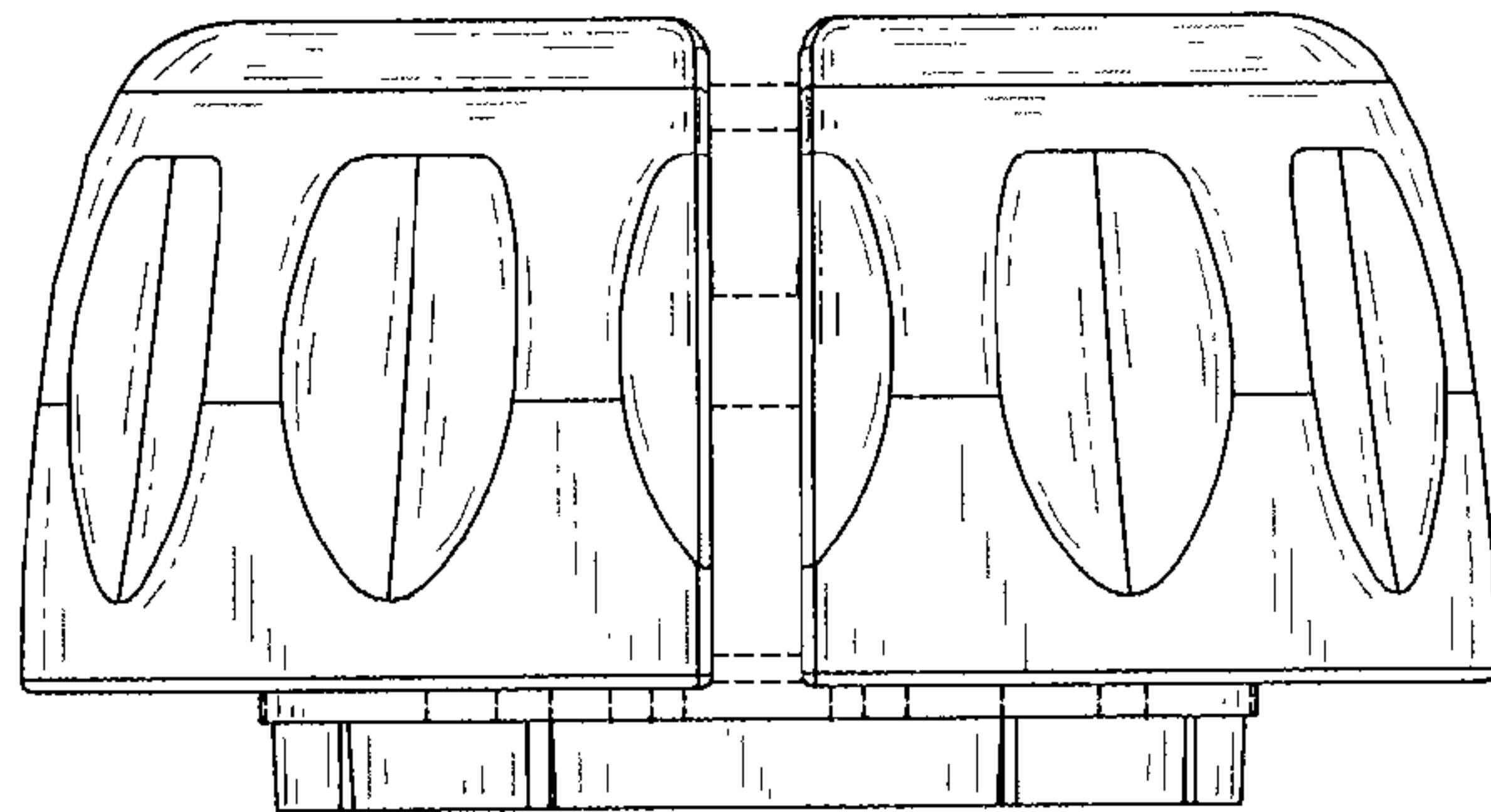


FIG. 1

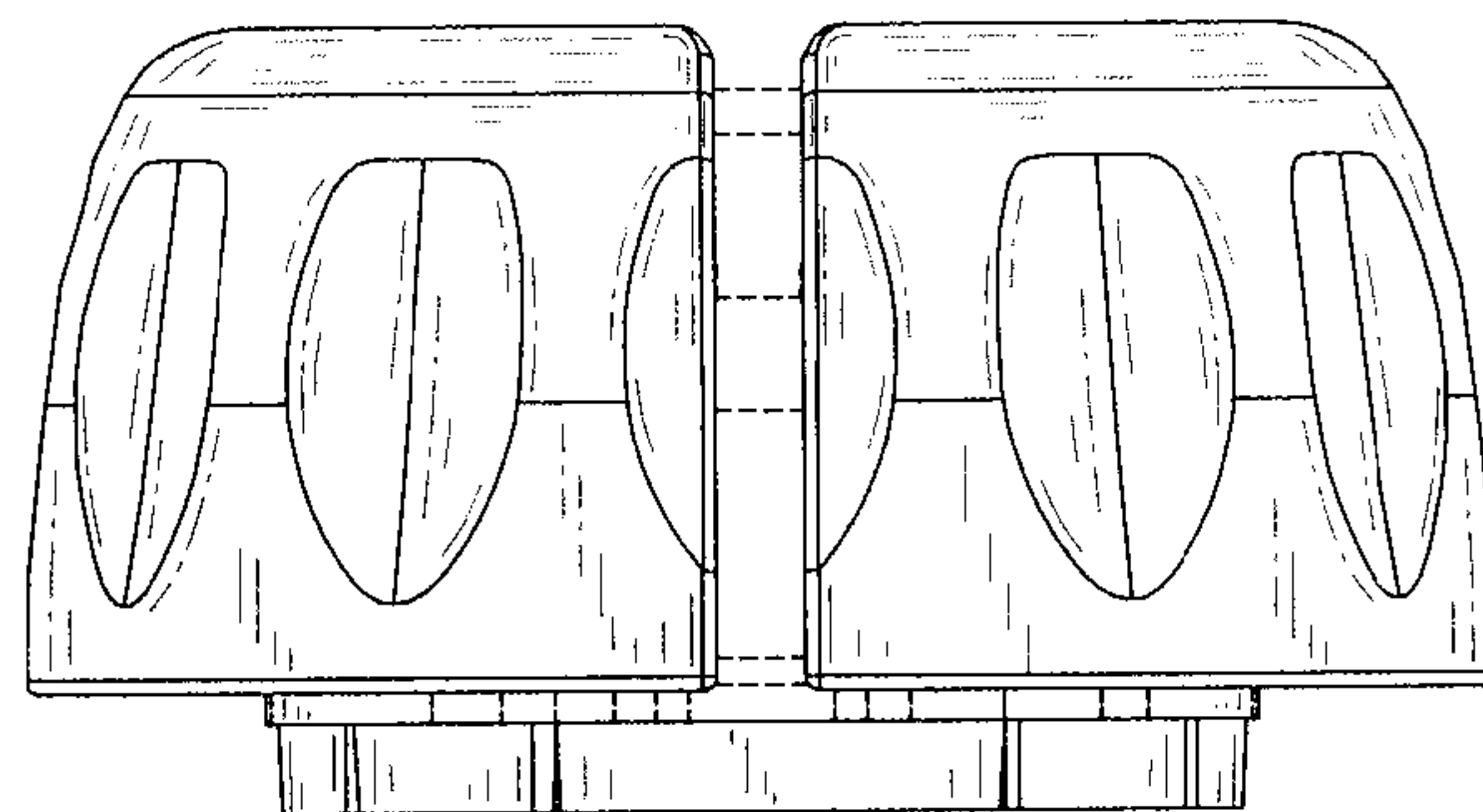


FIG. 2

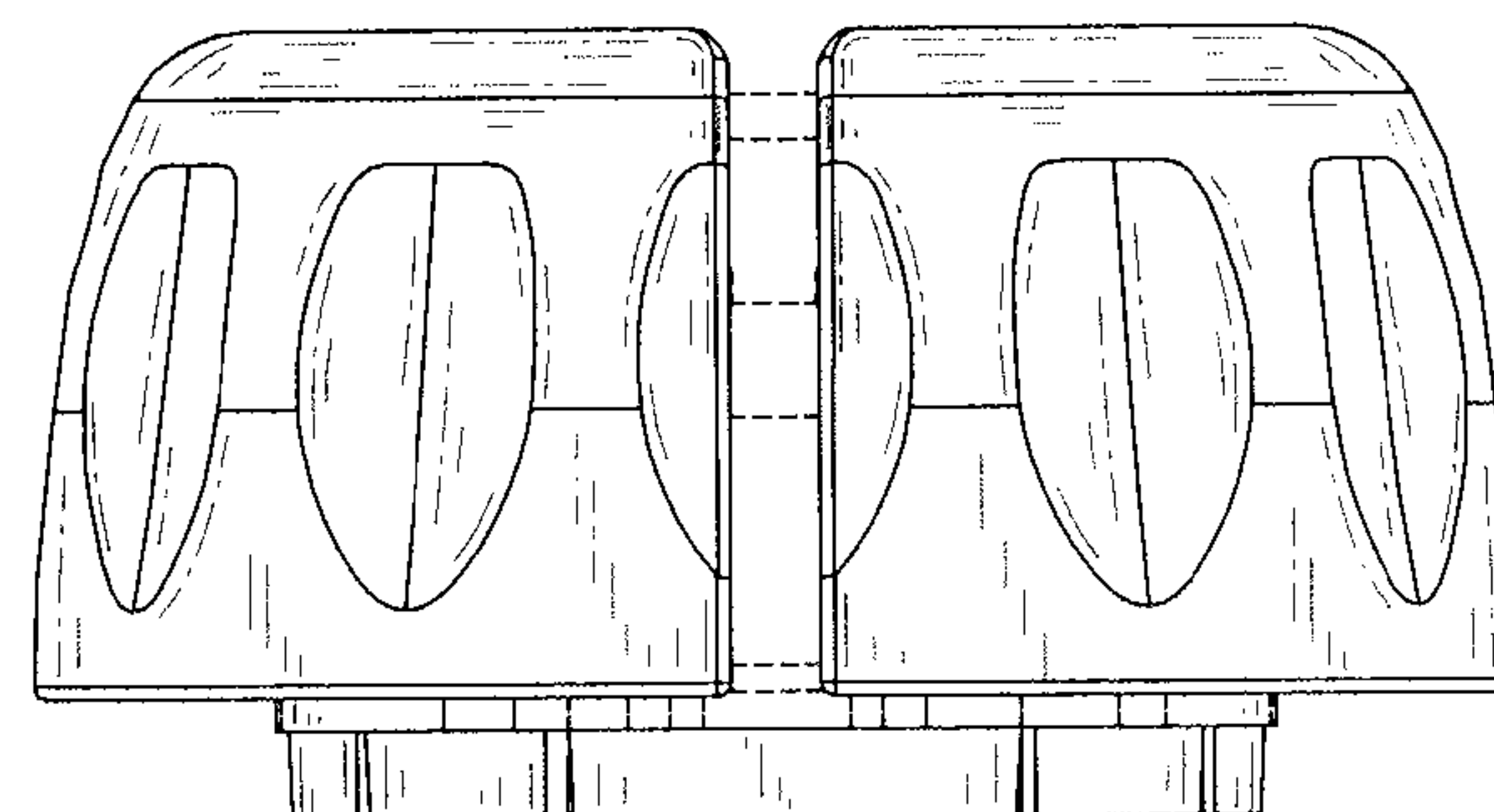


FIG. 3

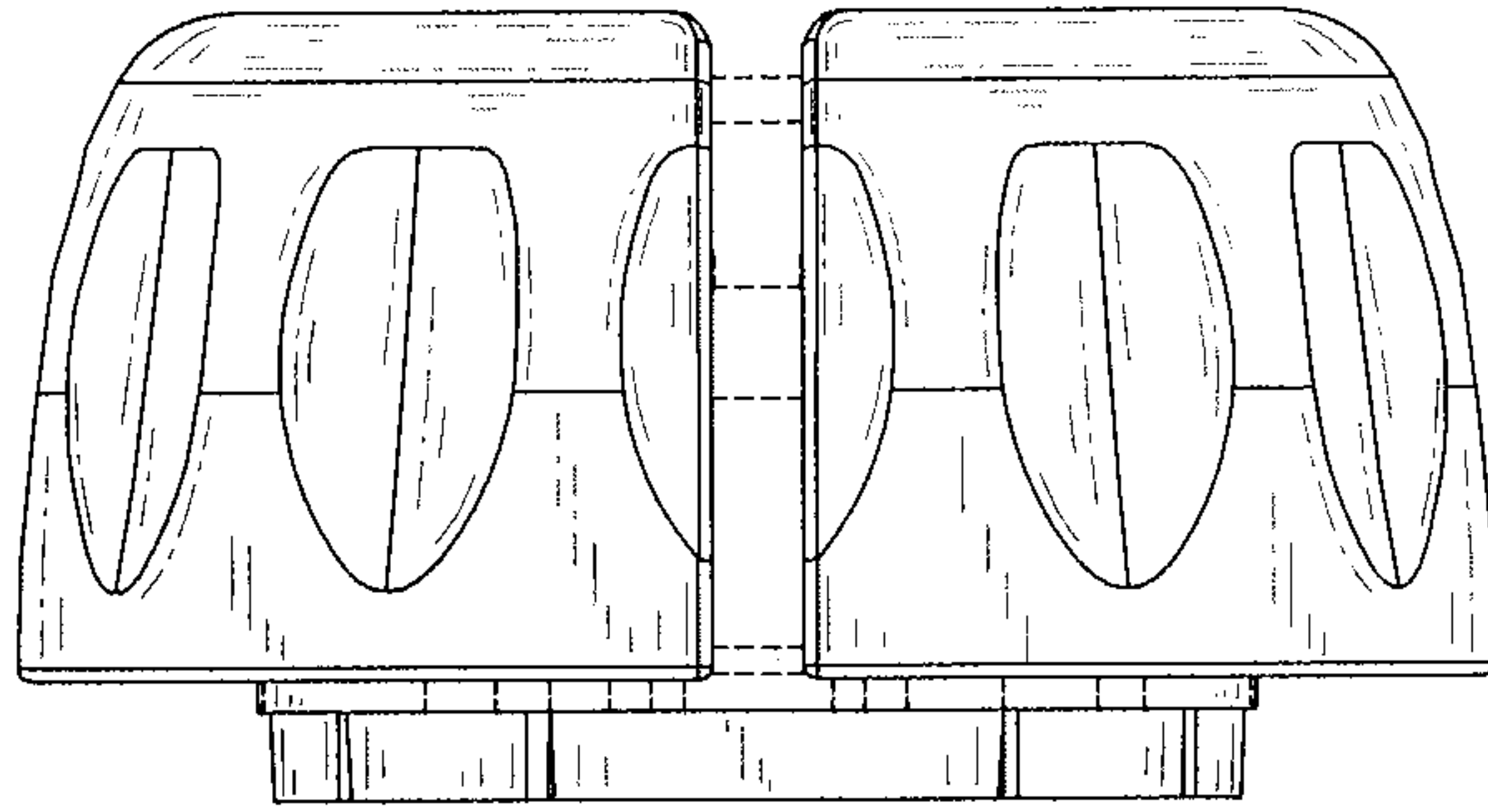


FIG. 4

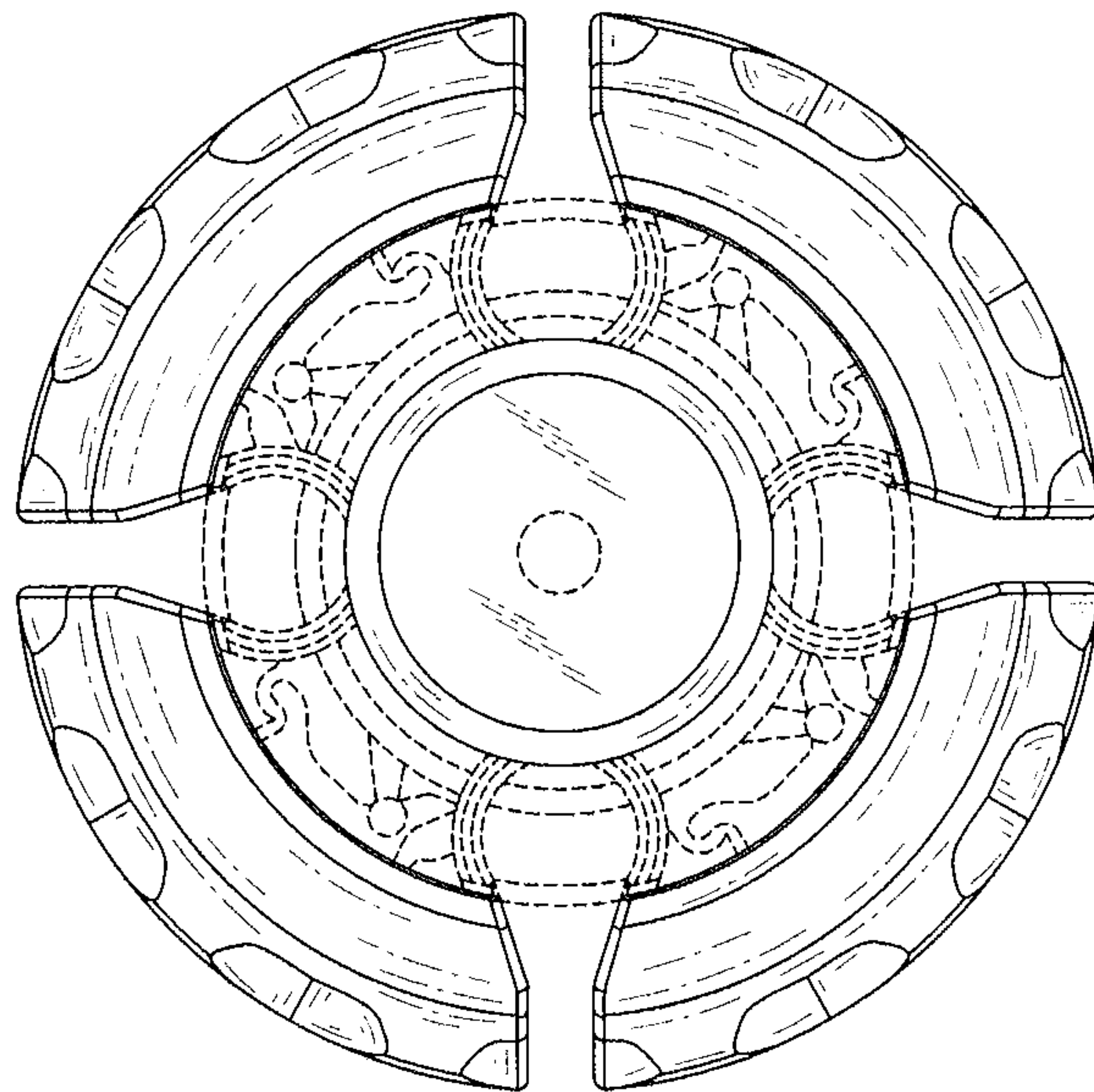


FIG. 5

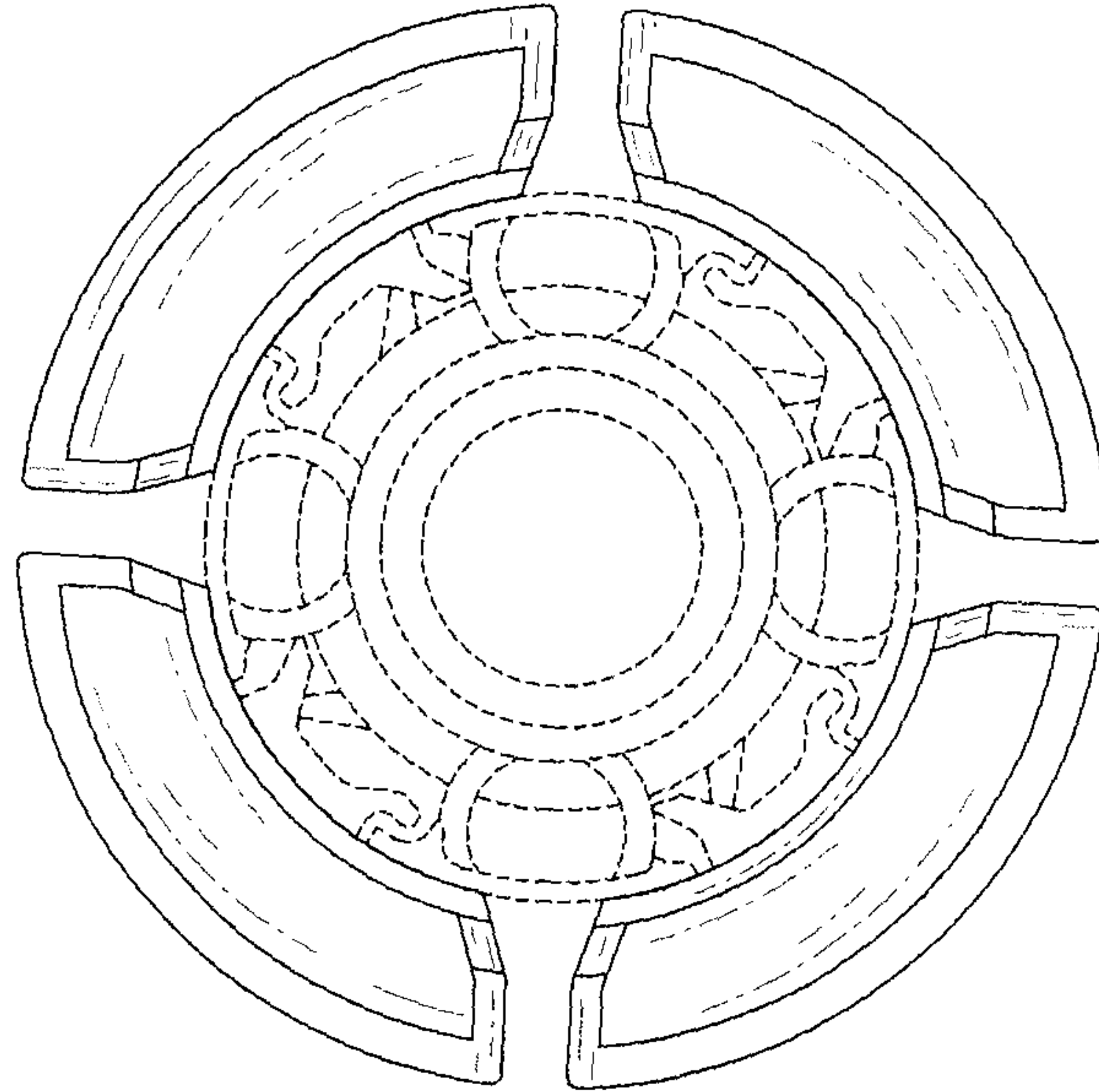


FIG. 6

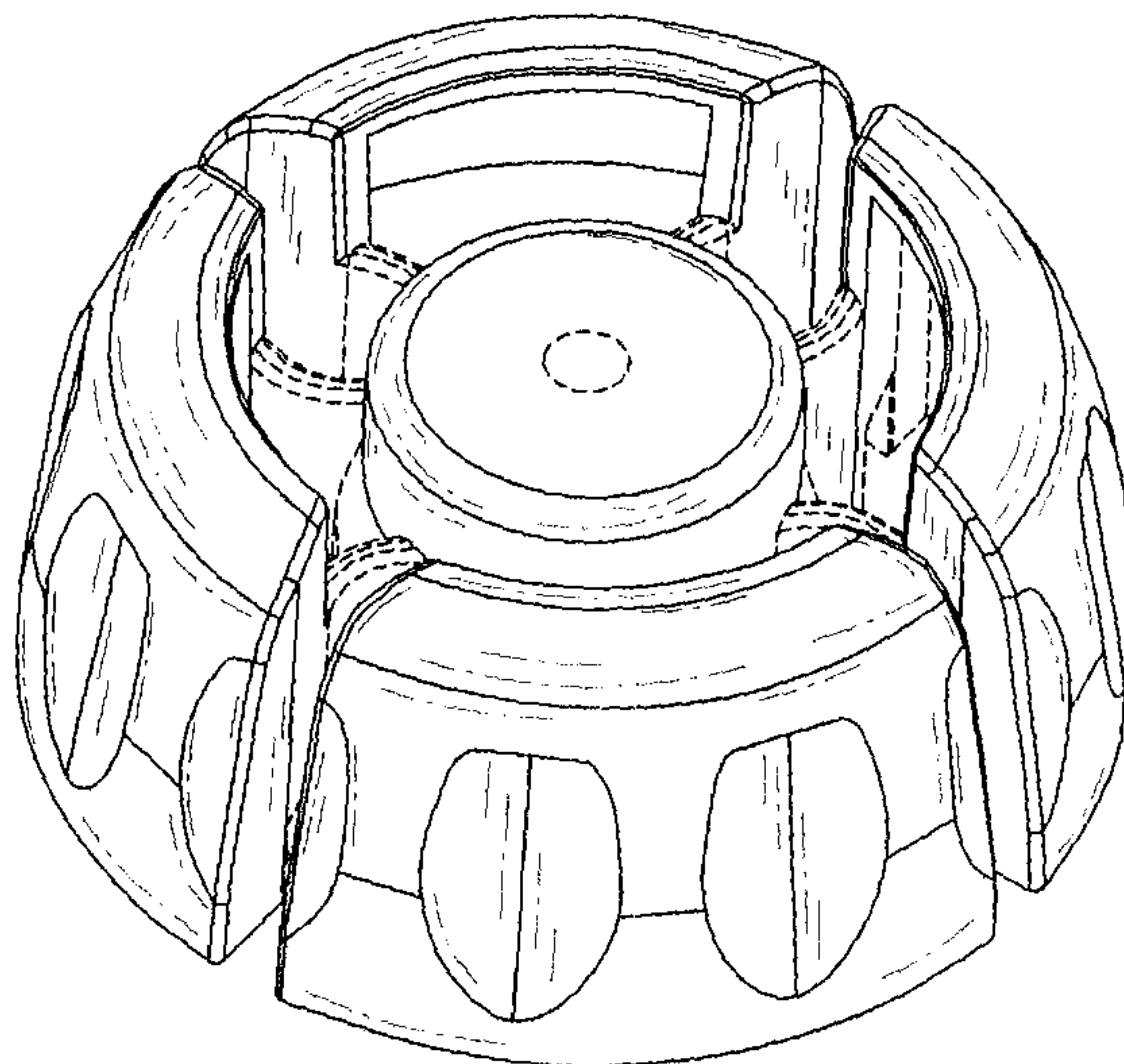


FIG. 7