



US00D693219S

(12) **United States Design Patent**  
**Limback**

(10) **Patent No.:** **US D693,219 S**  
(45) **Date of Patent:** **\*\* Nov. 12, 2013**

- (54) **CLAMSHELL PACKAGE**
- (75) Inventor: **Nancy Gail Limback**, Bridgewater, NJ (US)
- (73) Assignee: **Aventisub II Inc.**, Greenville, DE (US)
- (\*\*) Term: **14 Years**
- (21) Appl. No.: **29/429,017**
- (22) Filed: **Aug. 6, 2012**

- D234,294 S 2/1975 Gorman
- 4,266,666 A 5/1981 Kuchenbecker
- D271,283 S 11/1983 Taylor
- 4,574,951 A 3/1986 Weaver
- D285,176 S 8/1986 Kodousek et al.
- D286,140 S 10/1986 Kodousek et al.
- D306,405 S 3/1990 Kuerti
- D313,182 S 12/1990 Diepois
- D319,577 S 9/1991 Schwarz
- 5,067,611 A 11/1991 Hagmann et al.

(Continued)

**Related U.S. Application Data**

- (63) Continuation-in-part of application No. 29/416,879, filed on Mar. 28, 2012.
- (51) **LOC (9) Cl.** ..... **09-03**
- (52) **U.S. Cl.**  
USPC ..... **D9/424**
- (58) **Field of Classification Search**  
USPC ..... D9/414, 415, 416, 423, 424, 425, 432, D9/439, 440, 455, 506, 518, 522, 523, 529, D9/530, 544, 545, 553, 564, 566, 763, 753, D9/757, 760, 761, 764, 769, 772, 773, D9/776; 206/216, 232, 470, 461, 463, 469, 206/543, 557, 771, 806; D30/108; D7/357, D7/359, 614, 615

See application file for complete search history.

**References Cited**

- (56) **U.S. PATENT DOCUMENTS**
- D58,905 S 9/1921 Harrington
- D117,605 S 11/1939 Blunt
- D190,530 S \* 6/1961 Bender ..... D9/416
- 3,122,441 A 2/1964 Smith
- D200,000 S 1/1965 Richards et al.
- 3,255,928 A 6/1966 Foster
- D220,750 S \* 5/1971 Artz ..... D9/761
- D220,752 S \* 5/1971 Artz ..... D9/425
- 3,620,411 A \* 11/1971 Rump ..... 220/315

**FOREIGN PATENT DOCUMENTS**

WO 2007/141869 A1 12/2007

**OTHER PUBLICATIONS**

U.S. Notice of Allowance dated Mar. 25, 2013 issued in U.S. Appl. No. 29/416,878.

(Continued)

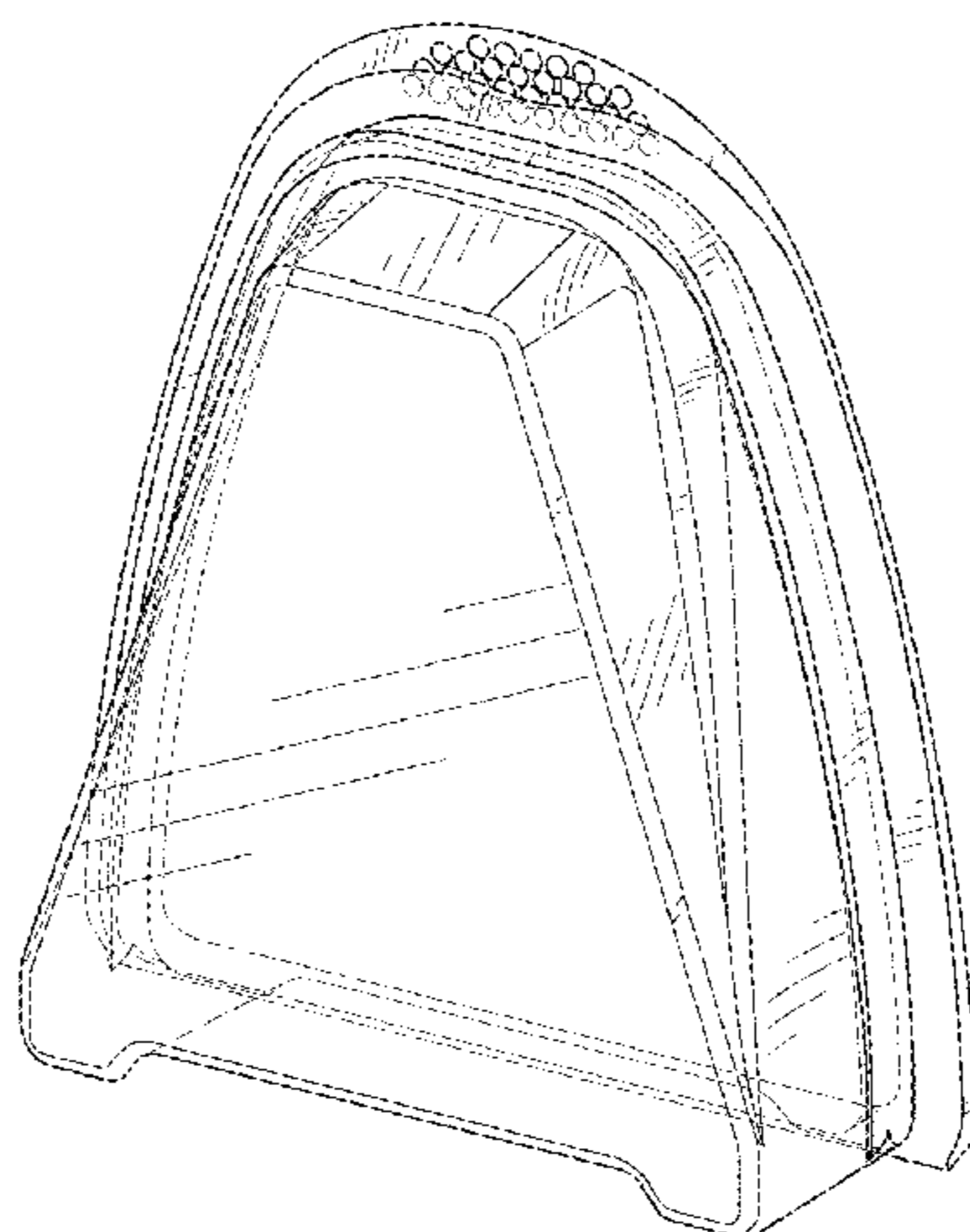
*Primary Examiner* — Derrick Holland  
*Assistant Examiner* — Lauren Calve  
(74) *Attorney, Agent, or Firm* — Scully, Scott, Murphy & Presser, P.C.

(57) **CLAIM**  
The ornamental design for a clamshell package, as shown.

**DESCRIPTION**

FIG. 1 is a perspective view of a clamshell package showing my new design;  
FIG. 2 is a front elevation view thereof;  
FIG. 3 is a rear elevation view thereof;  
FIG. 4 is a side elevation view thereof;  
FIG. 5 is an opposite side elevation view thereof;  
FIG. 6 is a top view thereof; and,  
FIG. 7 is a bottom view thereof.

**1 Claim, 5 Drawing Sheets**



(56)

References Cited

U.S. PATENT DOCUMENTS

D380,960 S 7/1997 Blotsky  
 D385,024 S 10/1997 Roberts  
 D392,883 S \* 3/1998 Ferrin ..... D7/610  
 D394,003 S 5/1998 Tate  
 D404,644 S \* 1/1999 Meeker ..... D9/415  
 D415,416 S 10/1999 Anderson et al.  
 D416,484 S 11/1999 Voden  
 D417,148 S 11/1999 Anderson et al.  
 6,053,321 A 4/2000 Kayser  
 D431,459 S 10/2000 Lee  
 D431,863 S \* 10/2000 Richardson ..... D24/104  
 6,155,414 A 12/2000 Vaessen  
 D438,461 S 3/2001 Yamagishi  
 D438,463 S 3/2001 Schill et al.  
 6,401,926 B1 6/2002 Lo  
 D469,348 S 1/2003 Demus et al.  
 D476,227 S 6/2003 Pratt  
 D480,635 S \* 10/2003 Caroan ..... D9/414  
 6,726,054 B2 4/2004 Fagen et al.  
 D491,459 S 6/2004 Grant  
 D495,134 S 8/2004 Geert-Jensen et al.  
 6,889,690 B2 5/2005 Crowder et al.  
 D507,453 S \* 7/2005 Mills ..... D7/359  
 D520,357 S \* 5/2006 Terrasi ..... D9/428  
 D533,971 S \* 12/2006 Carter et al. .... D30/108  
 D534,423 S \* 1/2007 Tanner ..... D9/426  
 7,207,440 B2 \* 4/2007 Briscoe ..... 206/461  
 7,207,441 B2 4/2007 Ritter  
 D545,690 S 7/2007 Tsutsumi et al.  
 D554,530 S 11/2007 Tsutsumi et al.  
 D558,336 S 12/2007 Walters et al.  
 D574,704 S 8/2008 Senter

D578,386 S 10/2008 Silvenis et al.  
 7,451,761 B2 11/2008 Hicket et al.  
 D581,780 S 12/2008 Senter  
 D585,545 S 1/2009 Carrio et al.  
 D585,638 S 2/2009 Skedelius  
 D585,735 S \* 2/2009 Vovan et al. .... D9/426  
 D588,908 S 3/2009 Silvenis et al.  
 D601,884 S \* 10/2009 Andre et al. .... D9/430  
 D624,399 S 9/2010 Hansen et al.  
 D624,402 S 9/2010 Hansen et al.  
 D624,403 S 9/2010 Hansen et al.  
 D624,815 S 10/2010 Hansen et al.  
 7,854,325 B2 12/2010 Bentele  
 7,866,475 B2 1/2011 Doskoczynski et al.  
 D632,955 S 2/2011 Smith et al.  
 D634,616 S 3/2011 Hansen et al.  
 7,931,148 B2 4/2011 Hansen et al.  
 D641,616 S \* 7/2011 Prevost ..... D9/420  
 8,091,704 B2 1/2012 Trigg

OTHER PUBLICATIONS

U.S. Office Action dated Mar. 25, 2013 issued in U.S. Appl. No. 29/416,880.  
 U.S. Office Action dated Mar. 25, 2013 issued in U.S. Appl. No. 29/416,882.  
 U.S. Office Action dated Oct. 3, 2012 issued in U.S. Appl. No. 29/416,879.  
 U.S. Office Action dated Jul. 15, 2013 issued in U.S. Appl. No. 13/432,247.  
 U.S. Office Action dated Jul. 18, 2013 issued in U.S. Appl. No. 29/429,016.  
 Invitation to Pay Additional Fees and, Where Applicable, Protest Fee mailed Jul. 10, 2013.

\* cited by examiner

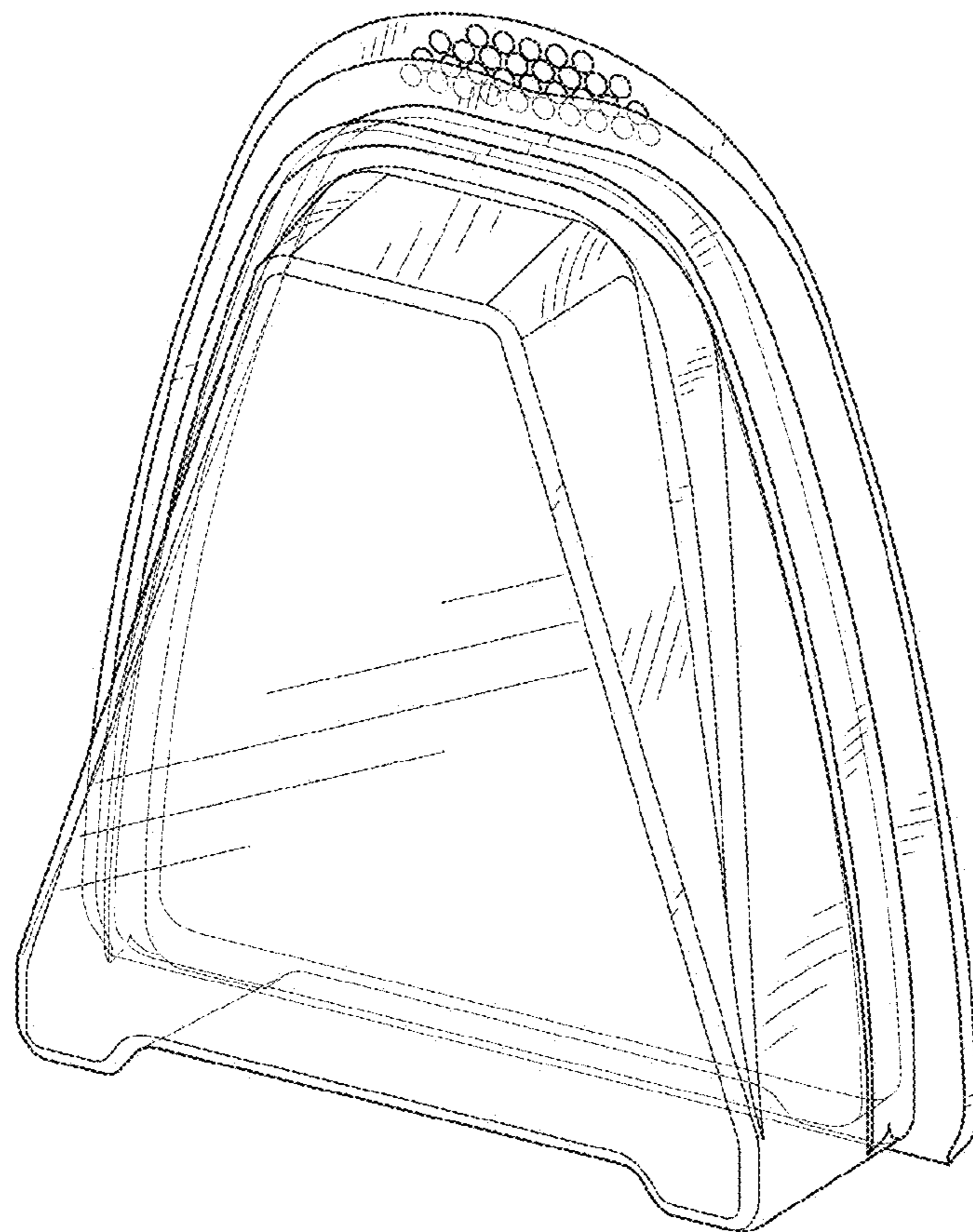


FIG. 1

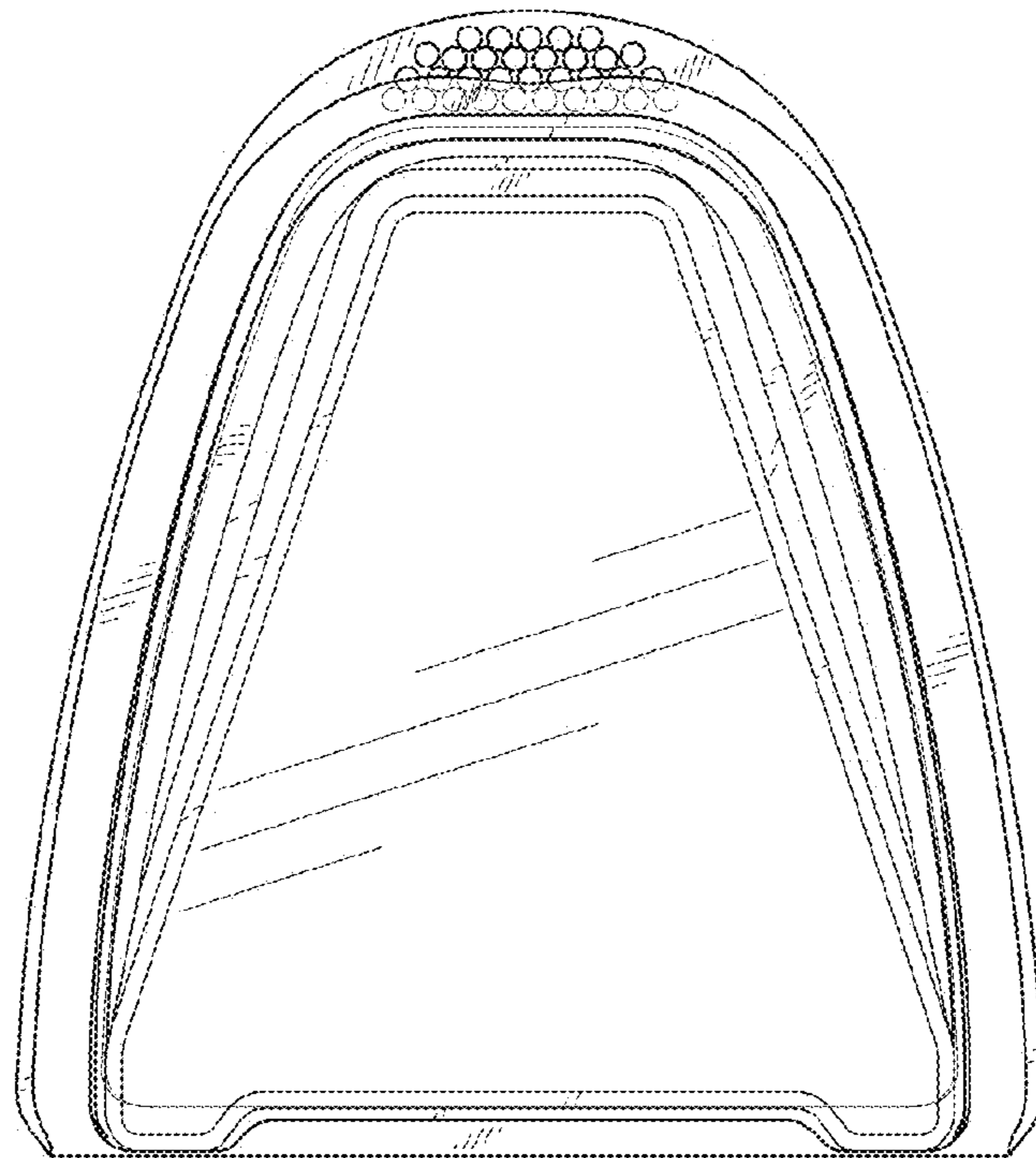


FIG. 2

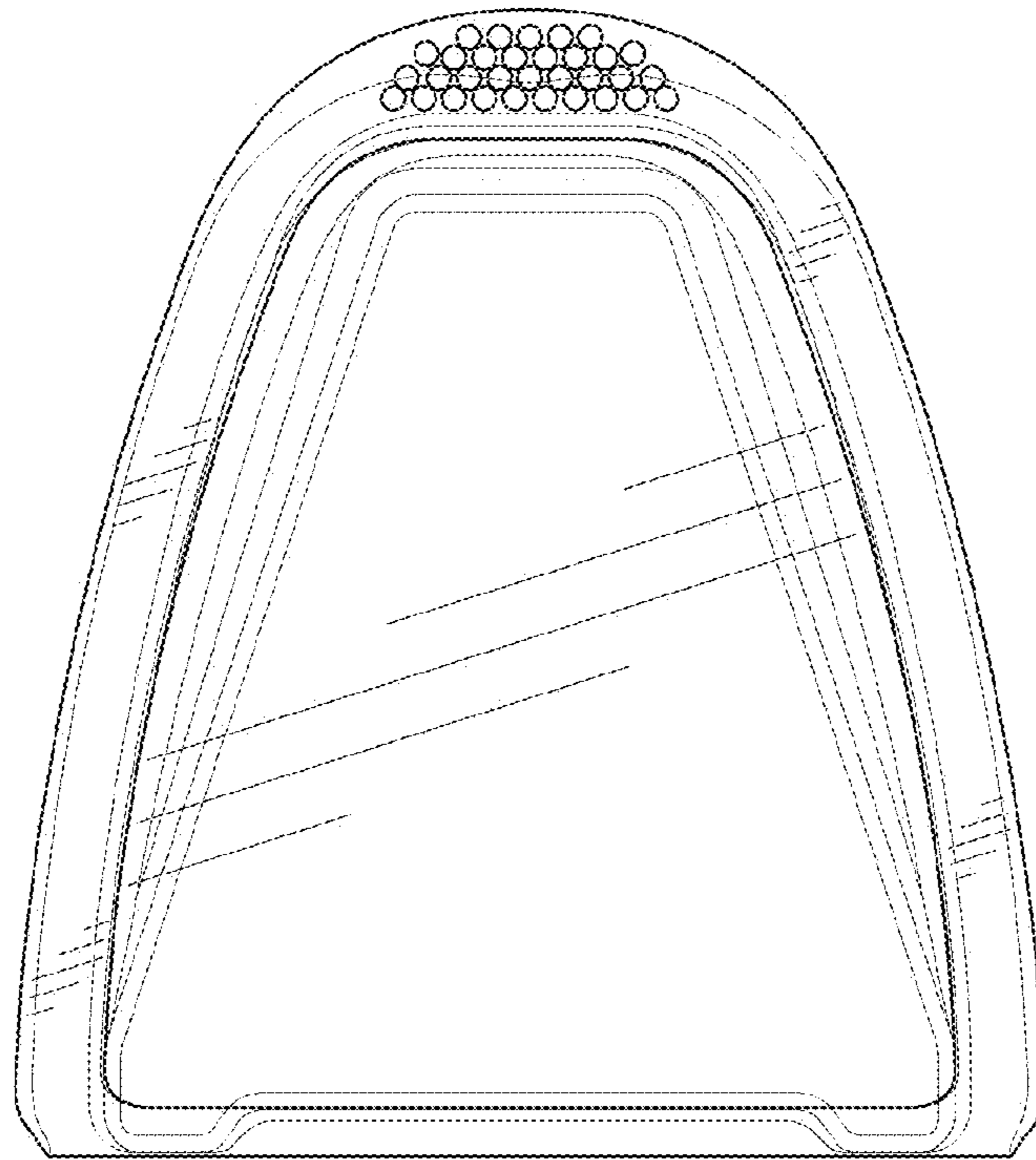


FIG. 3

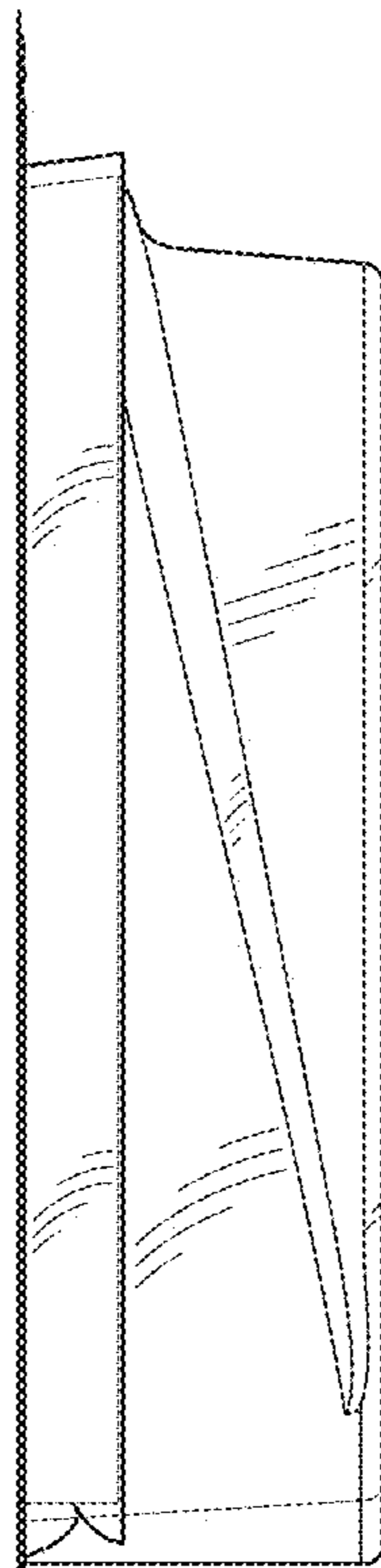


FIG. 4

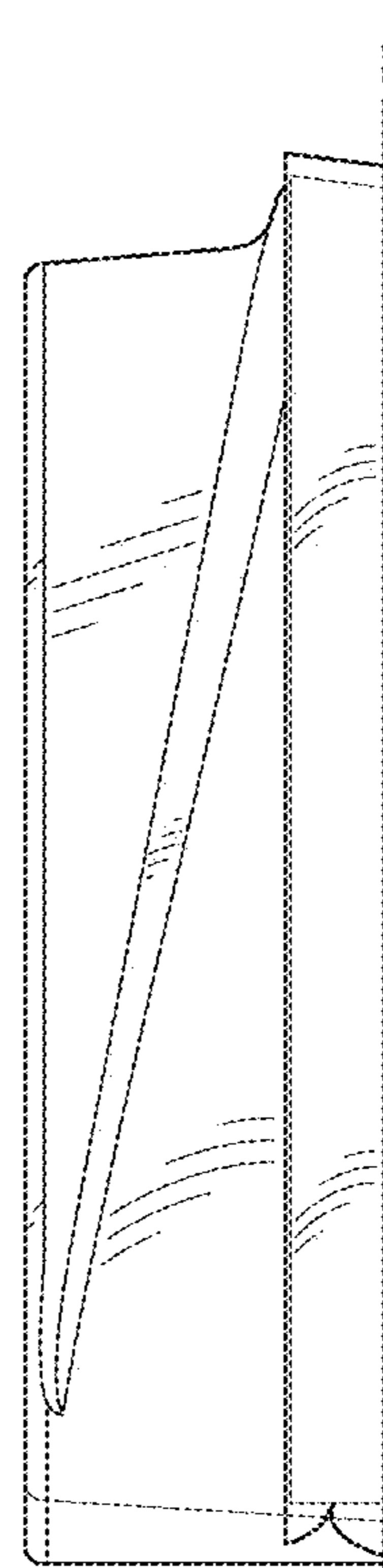


FIG. 5

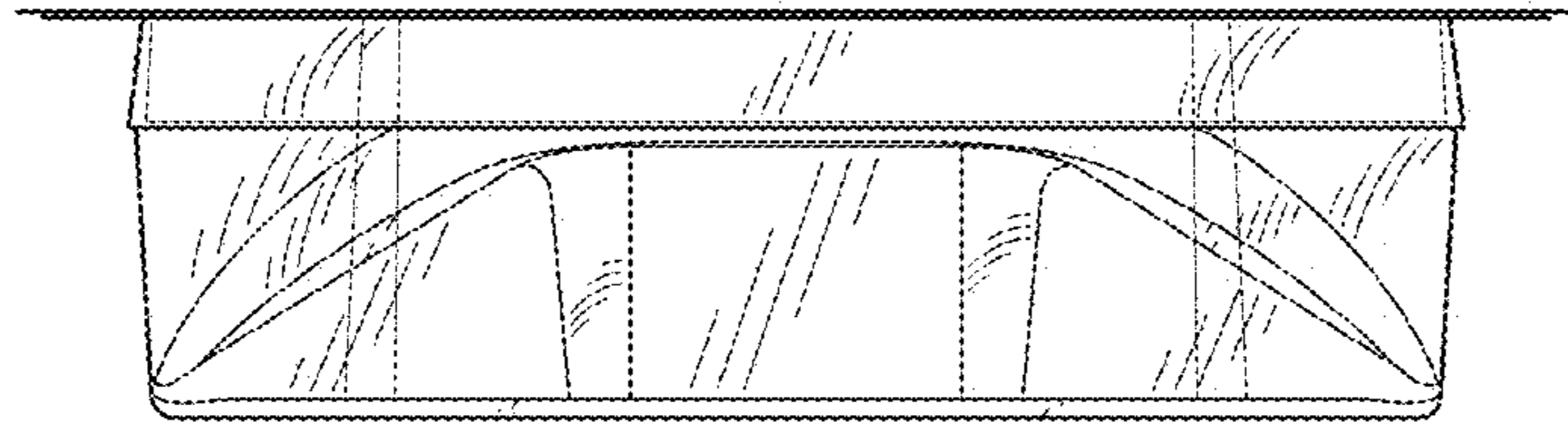


FIG. 6

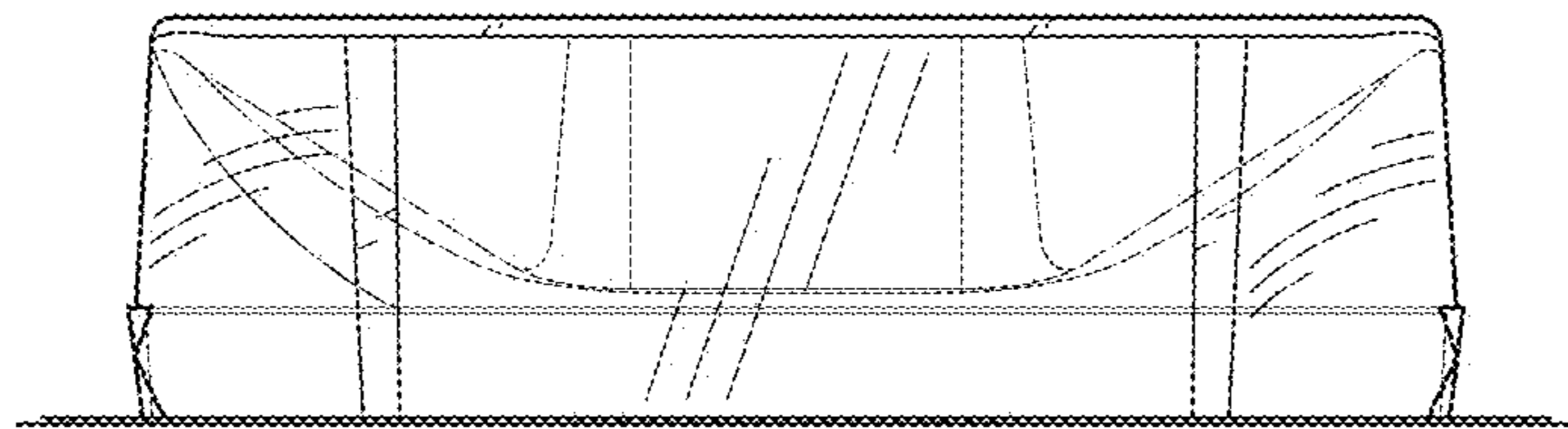


FIG. 7