



US00D693216S

(12) **United States Design Patent**
Sill

(10) **Patent No.:** **US D693,216 S**
(45) **Date of Patent:** **** *Nov. 12, 2013**

(54) **WINDOWED CLOSEABLE CARTON**

(75) Inventor: **Jonathan D. Sill**, Powell, OH (US)

(73) Assignee: **Inno-Pak, LLC**, Delaware, OH (US)

(*) Notice: This patent is subject to a terminal disclaimer.

(**) Term: **14 Years**

(21) Appl. No.: **29/409,395**

(22) Filed: **Jan. 9, 2012**

(51) **LOC (9) Cl.** **09-03**

(52) **U.S. Cl.**
USPC **D9/418**

(58) **Field of Classification Search**

USPC D9/415, 416, 418, 423, 431, 432, 433, D9/443, 456, 457, 48, 438, 503, 504, D9/527-530, 700, 703, 721, 736, 737, 741, D9/744, 747, 749, 753, 755, 756, 759, 760, D9/704, 738, 728, 780; 206/139, 141, 146, 206/152, 299, 532, 737, 776, 781, 782, 206/822; 220/4.29, 4.31-4.32, 509, 512, 220/515, 676, 560.01; 514/165; 215/380, 215/382; 229/100, 106, 114-116, 117, 229/117.05-117.09, 117.24, 117.26, 939, 229/942, 902, 222; D27/186, 190; D7/541, D7/543, 553.1, 629

See application file for complete search history.

(56) **References Cited**

U.S. PATENT DOCUMENTS

1,135,742 A 4/1915 Voris
1,474,879 A 11/1923 Ayres
1,923,774 A 8/1933 Coyle
1,991,165 A 2/1935 Lockett
2,034,809 A 3/1936 Grant
2,091,664 A 8/1937 Walsh

D106,826 S 11/1937 Dieffenbach
2,118,821 A 5/1938 Ringler
D136,489 S 10/1943 Geffner
2,572,610 A 10/1951 Gilbert
2,644,633 A 7/1953 Stopper

(Continued)

OTHER PUBLICATIONS

http://www.alibaba.com/product-gs/586779875/paper_printing_cupcake_box_handle/show...*

(Continued)

Primary Examiner — Robert M Spear

Assistant Examiner — Rhea Shields

(74) *Attorney, Agent, or Firm* — Ward and Smith, P.A.

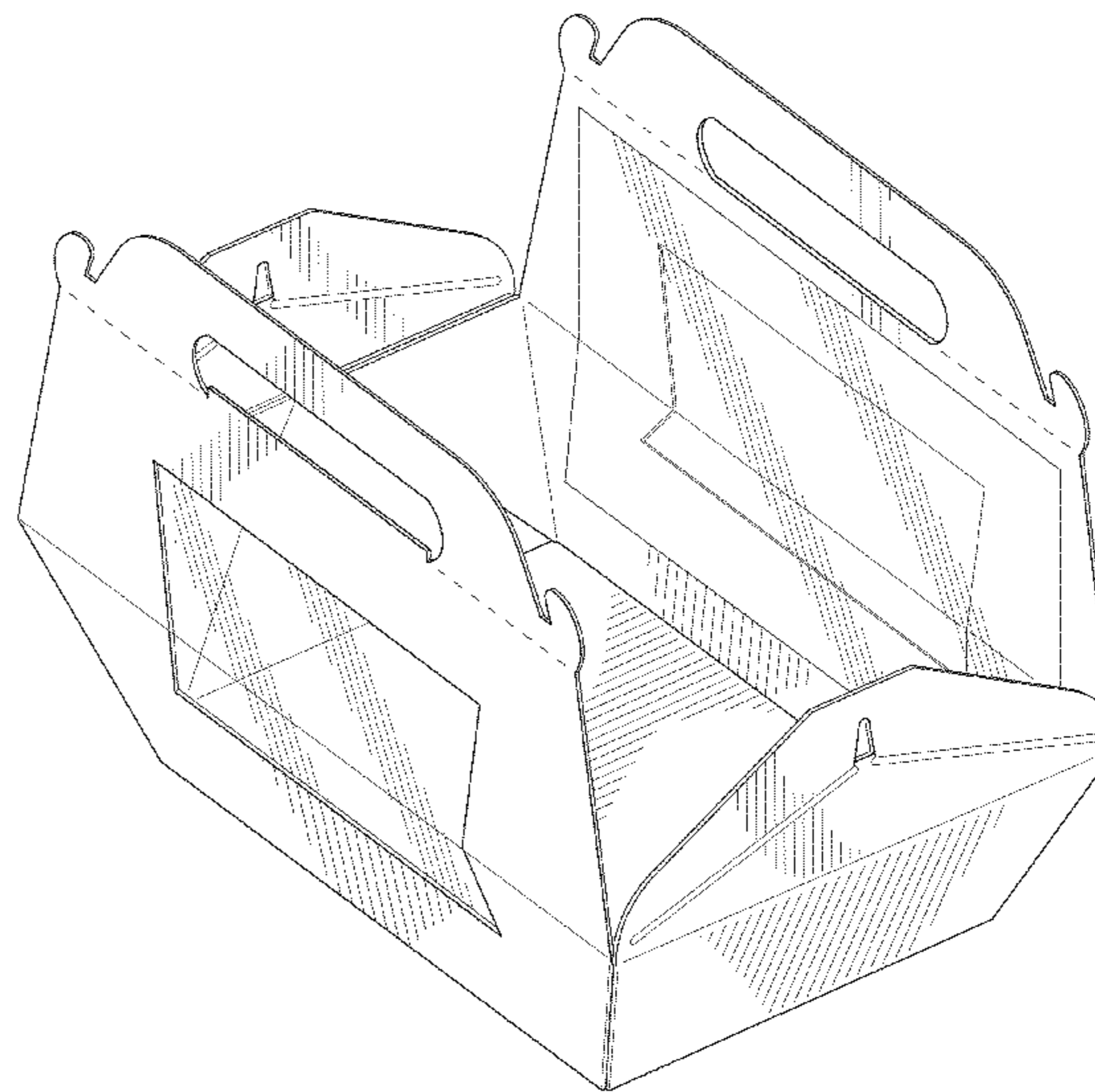
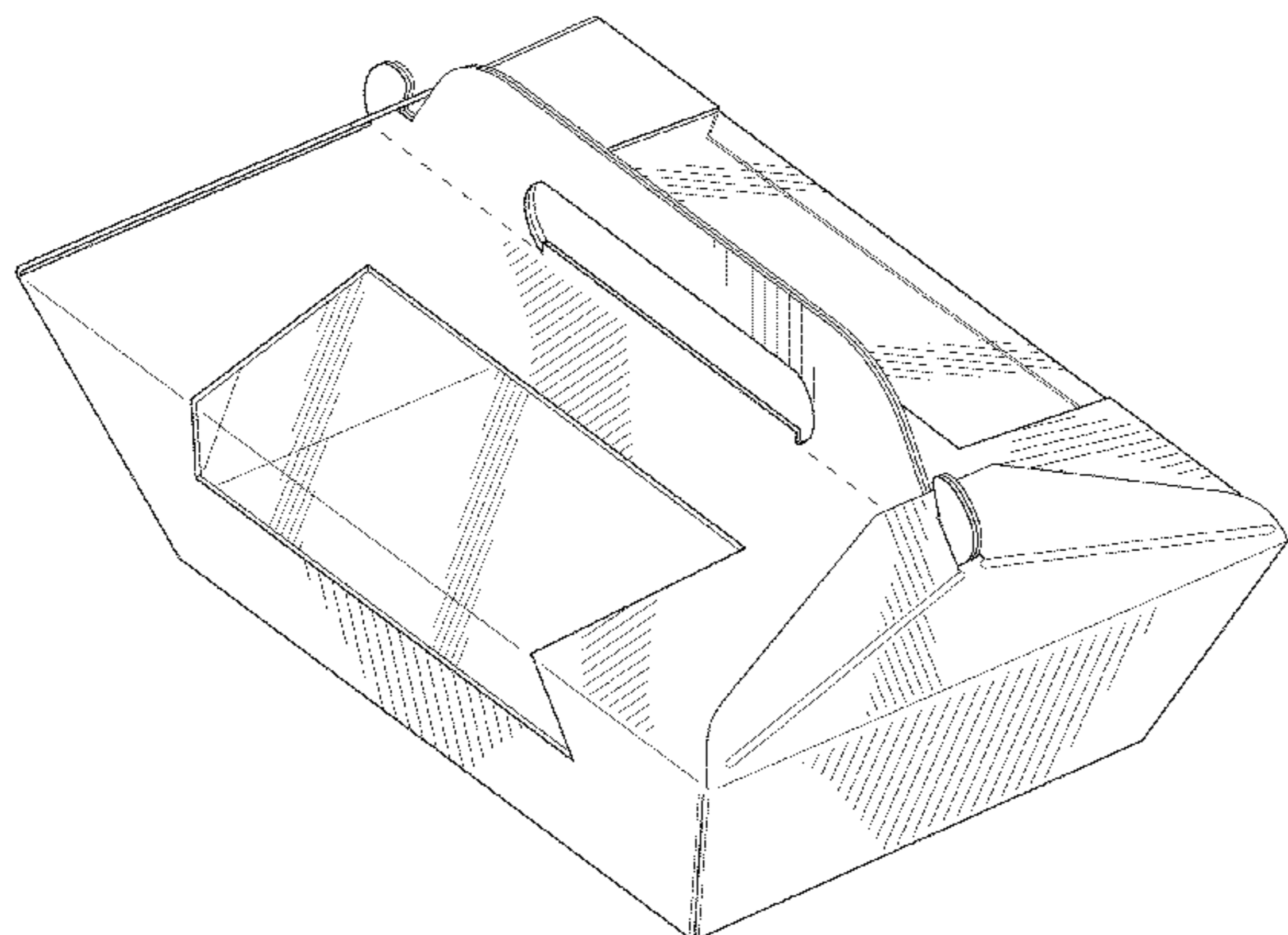
(57) **CLAIM**

The ornamental design for a windowed closeable carton, as shown and described.

DESCRIPTION

FIG. 1 is a perspective view of a windowed closeable carton showing a new design;
FIG. 2 is a left side elevation view thereof, the right side being a mirror image;
FIG. 3 is a front elevation view thereof, the rear being a mirror image;
FIG. 4 is a top plan view thereof;
FIG. 5 is a bottom plan view thereof;
FIG. 6 is a cross-section view taken on line 6-6 of FIG. 4;
FIG. 7 is a cross-section view taken on line 7-7 of FIG. 4;
FIG. 8 is another perspective view thereof, showing the windowed closeable carton in an alternate open configuration; and,
FIG. 9 is another top plan view thereof, showing the windowed closeable carton in an alternate blank configuration.
The broken lines in the FIGS. 1, 3, 8 and 9 illustrate claimed fold lines on the carton.

1 Claim, 8 Drawing Sheets



(56)

References Cited

U.S. PATENT DOCUMENTS

2,666,414 A 1/1954 Burr et al.
 2,728,485 A 12/1955 Howard
 2,793,801 A * 5/1957 Papadopoulos 229/117.14
 2,805,813 A 9/1957 Rittmueller
 2,838,222 A 6/1958 Papadopoulos
 D190,772 S 6/1961 Cuyler
 D191,145 S 8/1961 Casareo
 3,019,960 A 2/1962 Vaughan-Parks
 3,346,399 A 10/1967 Watson et al.
 3,547,339 A 12/1970 Bruce
 D242,901 S 1/1977 Lohrbach
 4,002,288 A 1/1977 Klupt
 4,105,155 A 8/1978 Forbes, Jr.
 4,238,069 A 12/1980 Morris, Jr.
 D259,615 S 6/1981 Morris, Jr.
 4,375,846 A 3/1983 Nauheimer
 D273,179 S 3/1984 Shore
 D282,720 S 2/1986 Borg
 D292,487 S 10/1987 Kea
 5,411,204 A 5/1995 DeMay
 5,494,214 A 2/1996 Fleury et al.
 D385,187 S 10/1997 Loft
 5,853,121 A * 12/1998 Francisco 229/188
 D418,751 S 1/2000 Wolf
 D437,554 S 2/2001 Milton
 D442,859 S * 5/2001 Hirschey D9/418

D447,685 S 9/2001 Chagnon et al.
 D462,903 S 9/2002 Yuen
 D497,309 S * 10/2004 Nordland et al. D9/415
 D502,646 S 3/2005 Postulka
 D516,421 S 3/2006 Gironi et al.
 7,255,261 B2 8/2007 Mesly
 D570,210 S 6/2008 McGrath
 D576,482 S * 9/2008 DeBusk D9/416
 D578,876 S * 10/2008 Ambelang et al. D9/418
 D600,110 S 9/2009 Cain
 D622,139 S * 8/2010 Marcott et al. D9/418
 D631,743 S 2/2011 Hubbard et al.
 D640,128 S * 6/2011 Harshman D9/418
 D651,076 S 12/2011 Van Berlo
 D664,429 S 7/2012 Arrigo
 D674,690 S * 1/2013 Sill D9/431
 D675,092 S * 1/2013 Sill D9/431
 D675,520 S * 2/2013 Sill D9/431
 D675,920 S * 2/2013 Sill D9/432
 D678,761 S 3/2013 Cooper
 D678,779 S 3/2013 Lee
 D679,950 S * 4/2013 Cooper D7/538
 2008/0087679 A1 4/2008 Cook et al.

OTHER PUBLICATIONS

<http://www.globalsugarart.com/cupcake-box-pink-gable-top-with-window-inches-ct-p-29246.html>.*

* cited by examiner

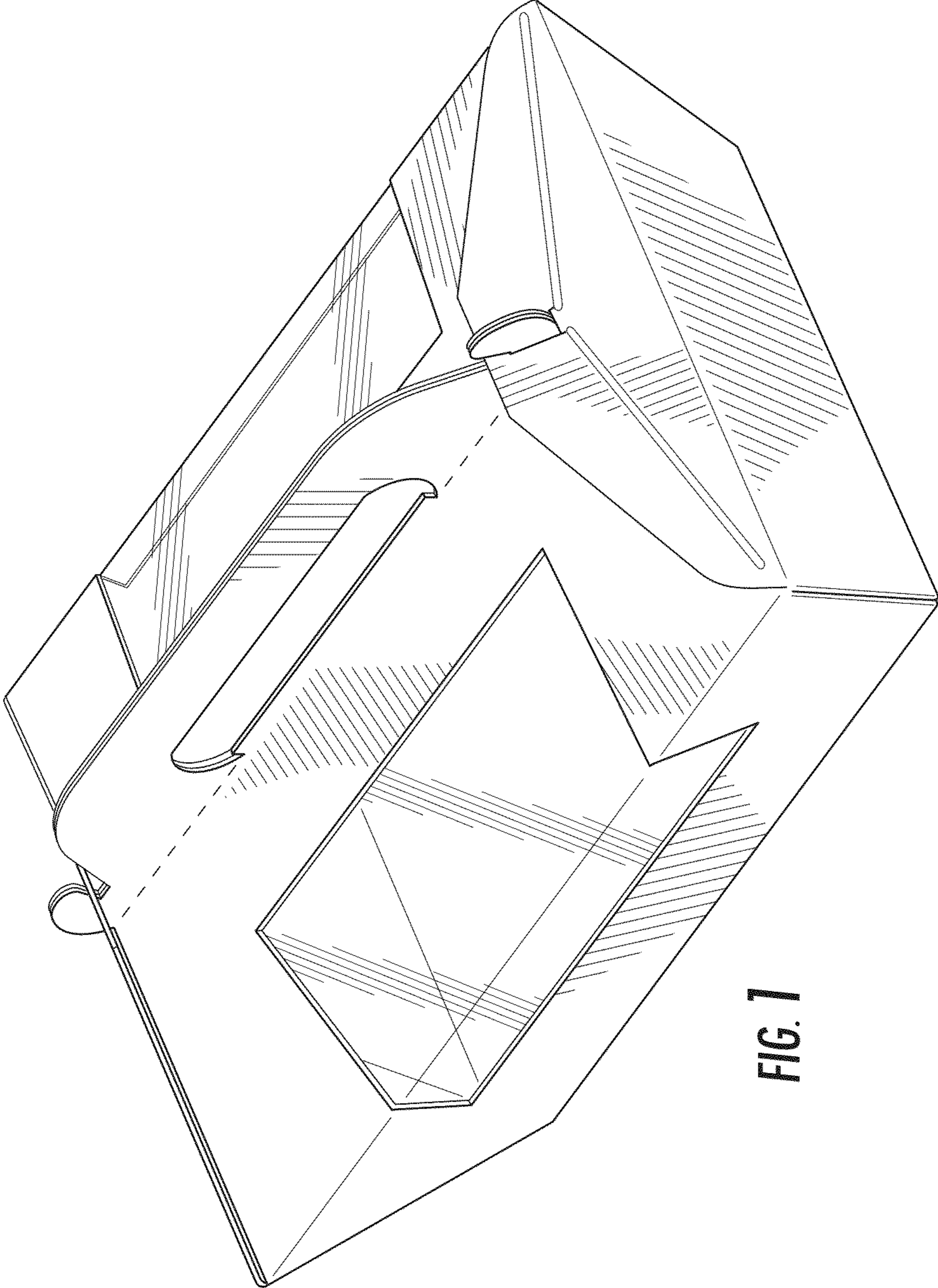


FIG. 7

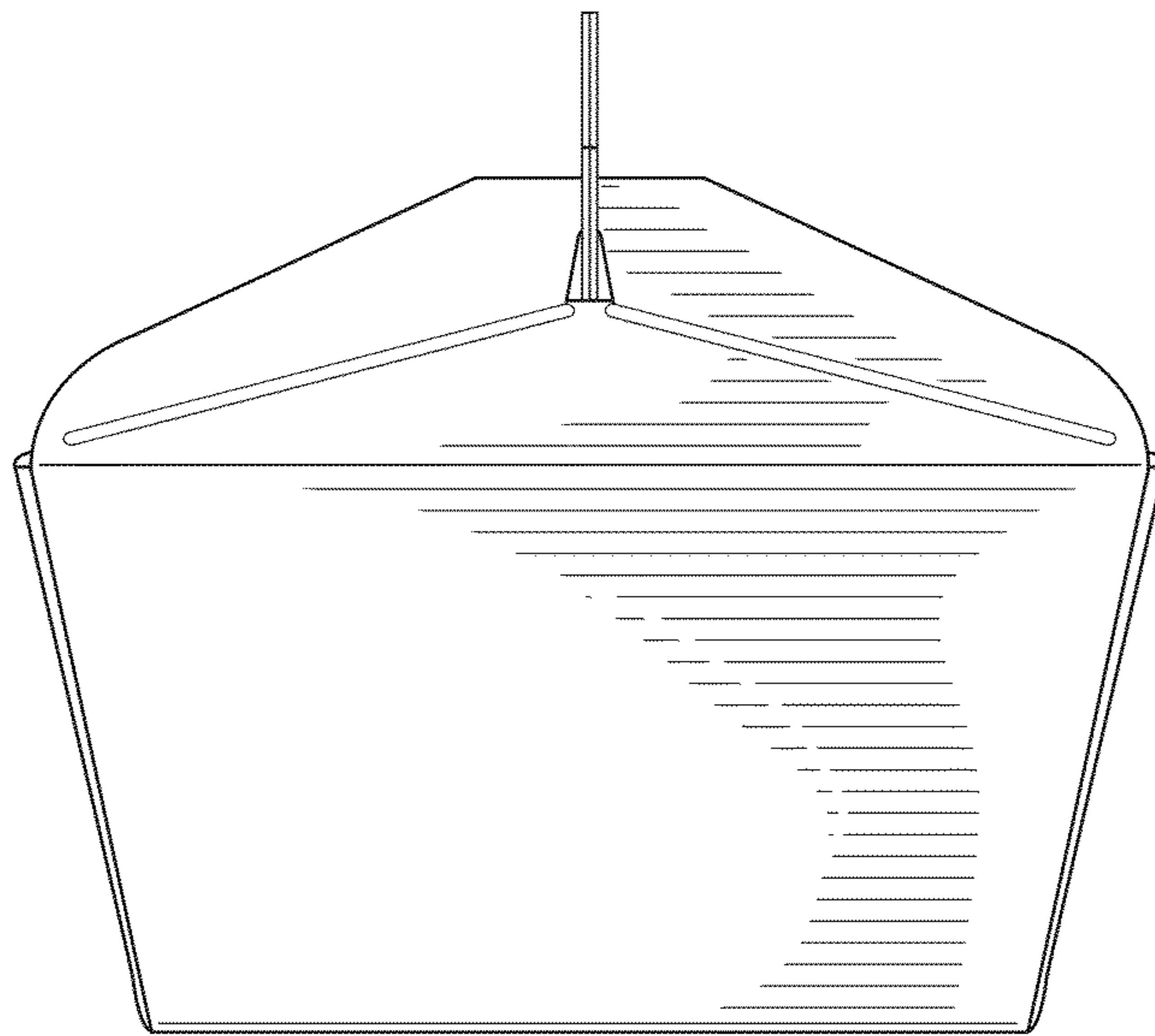


FIG. 2

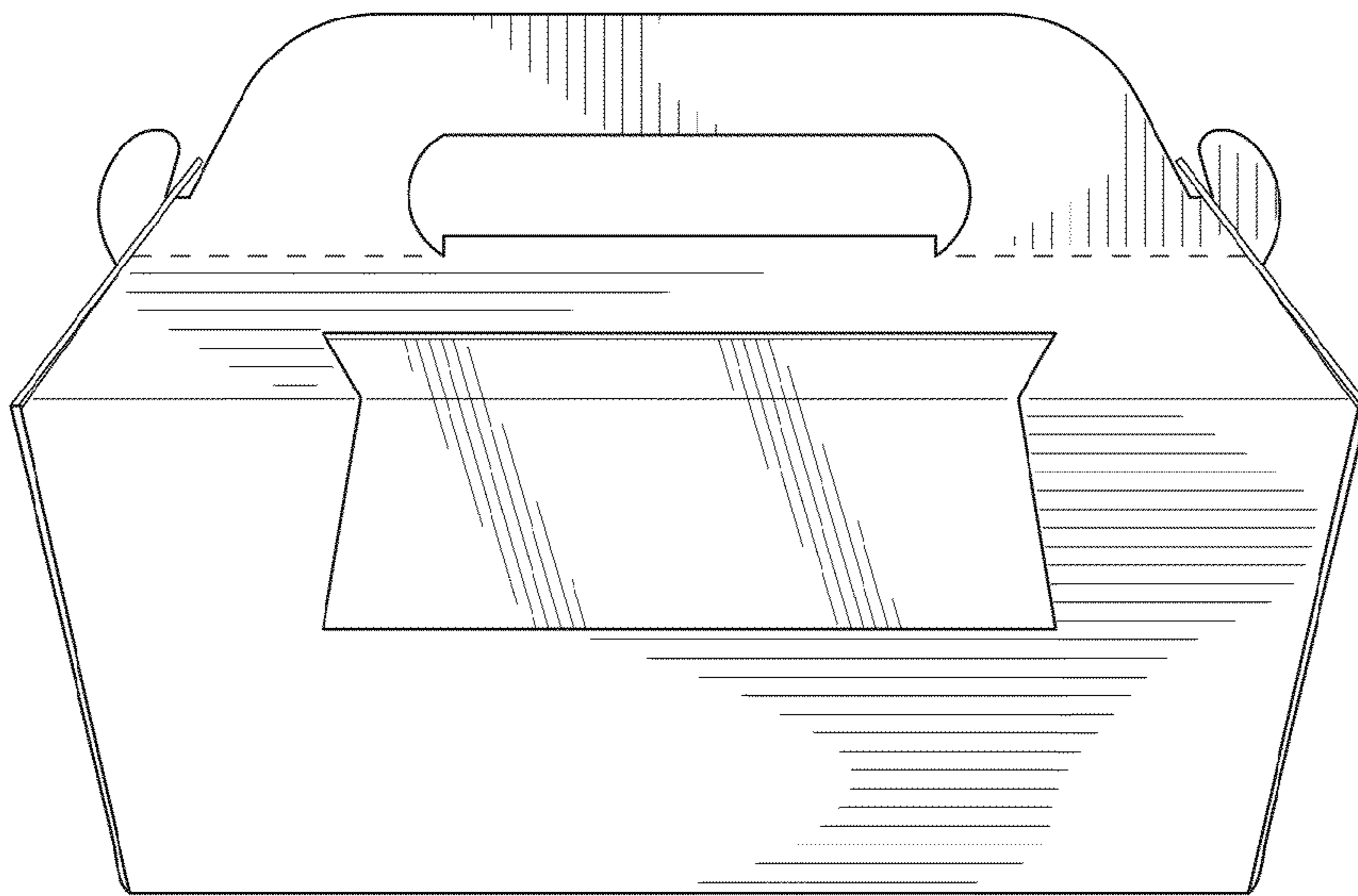


FIG. 3

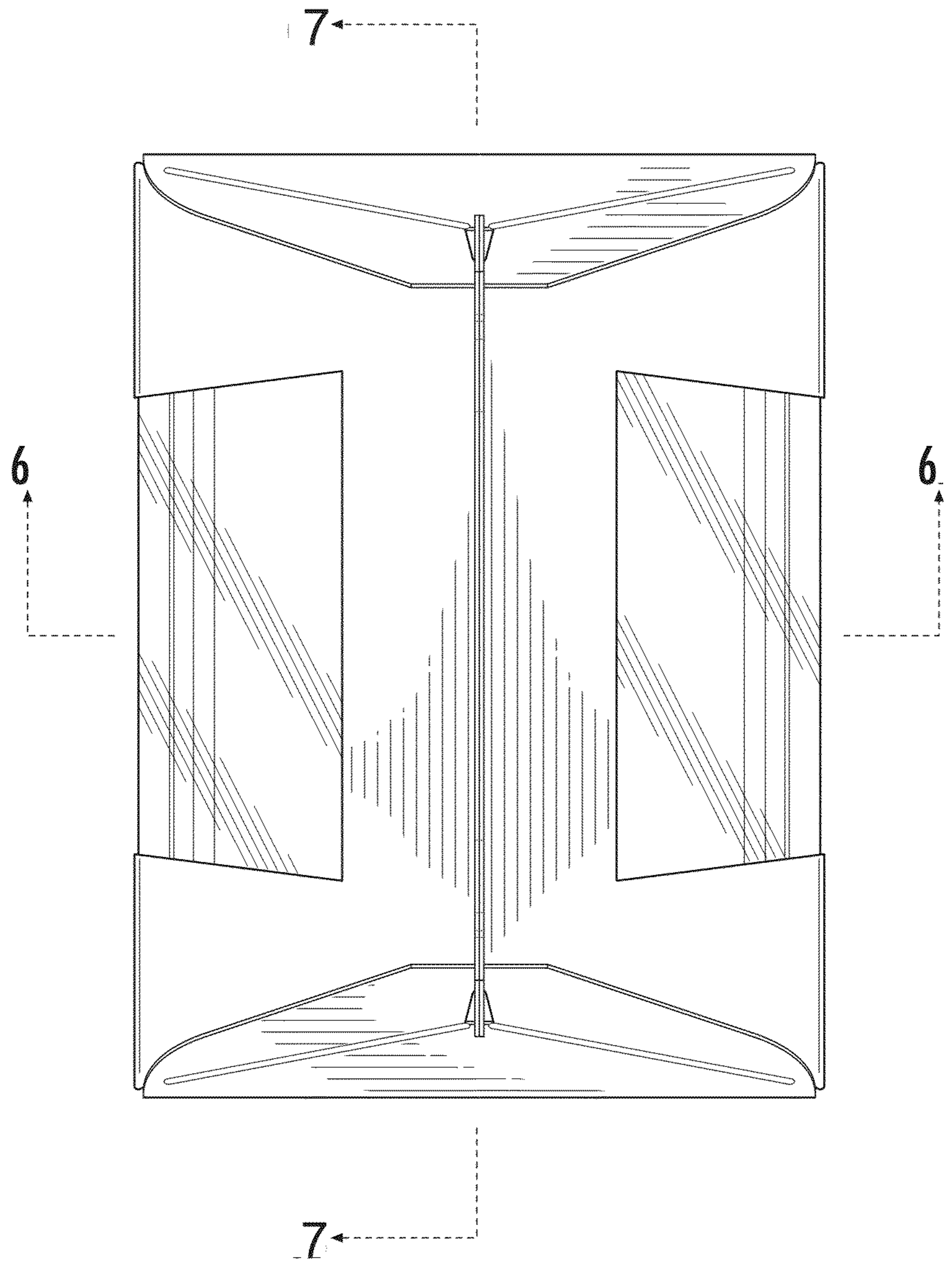


FIG. 4

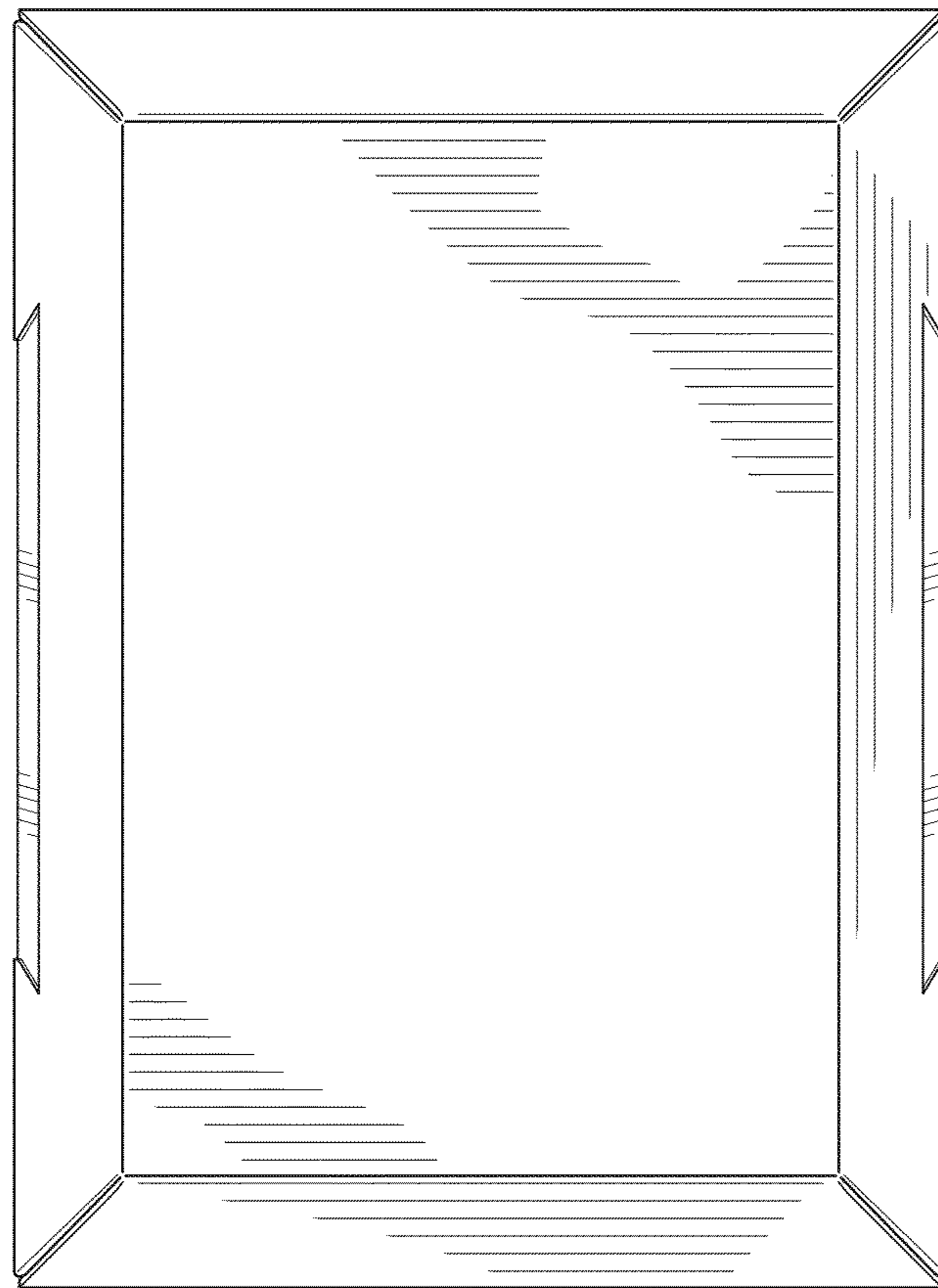


FIG. 5

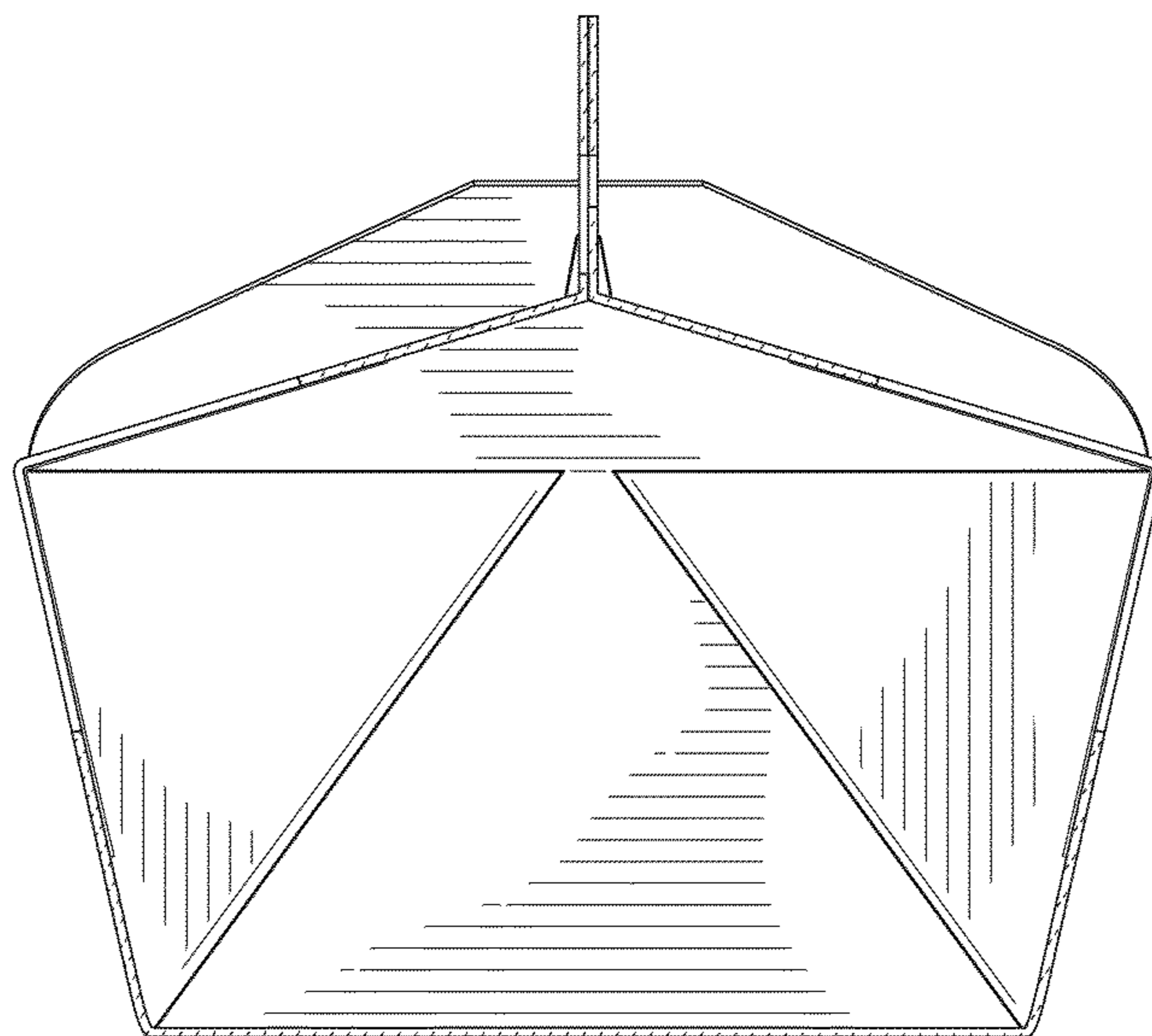


FIG. 6

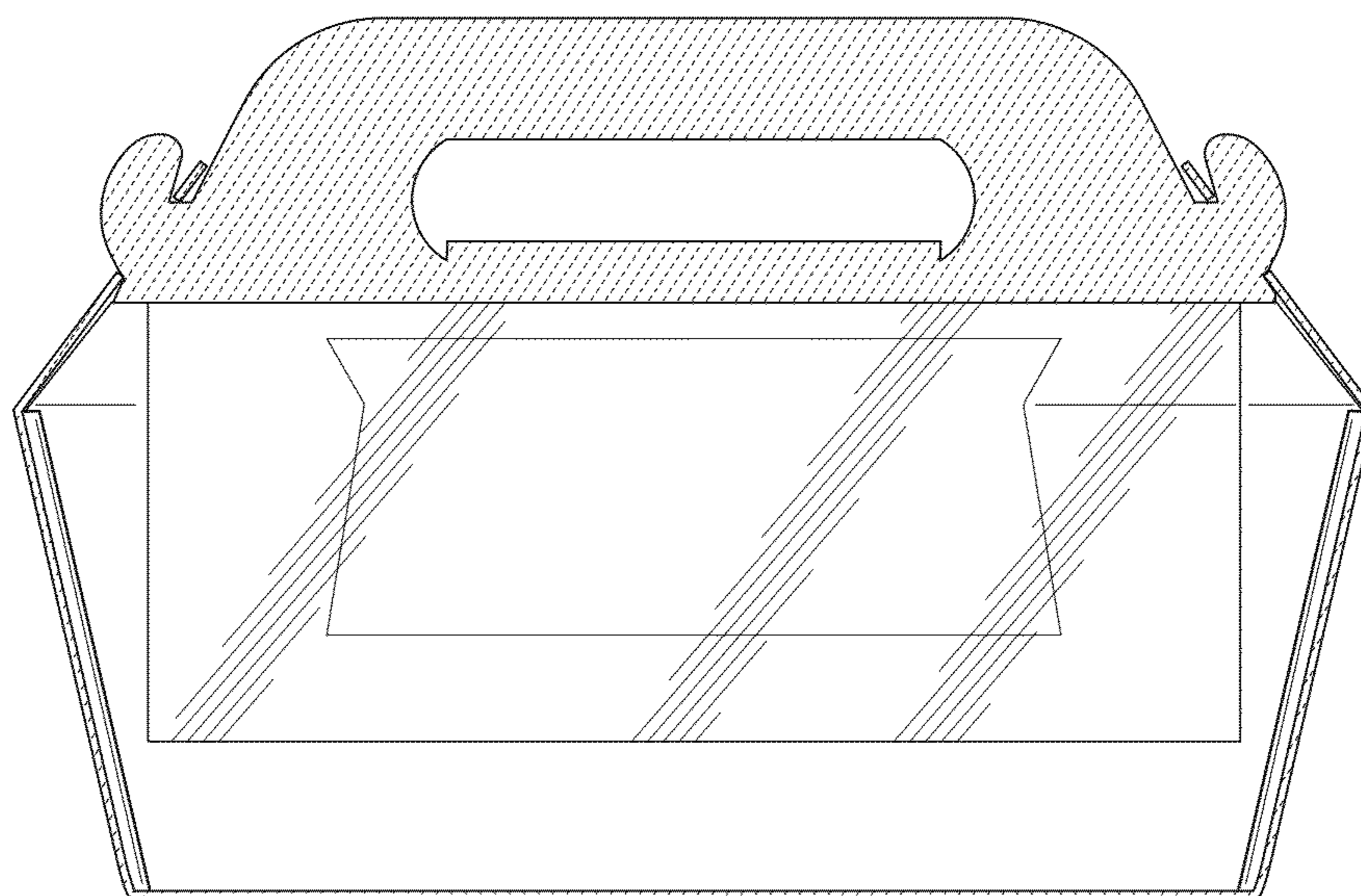
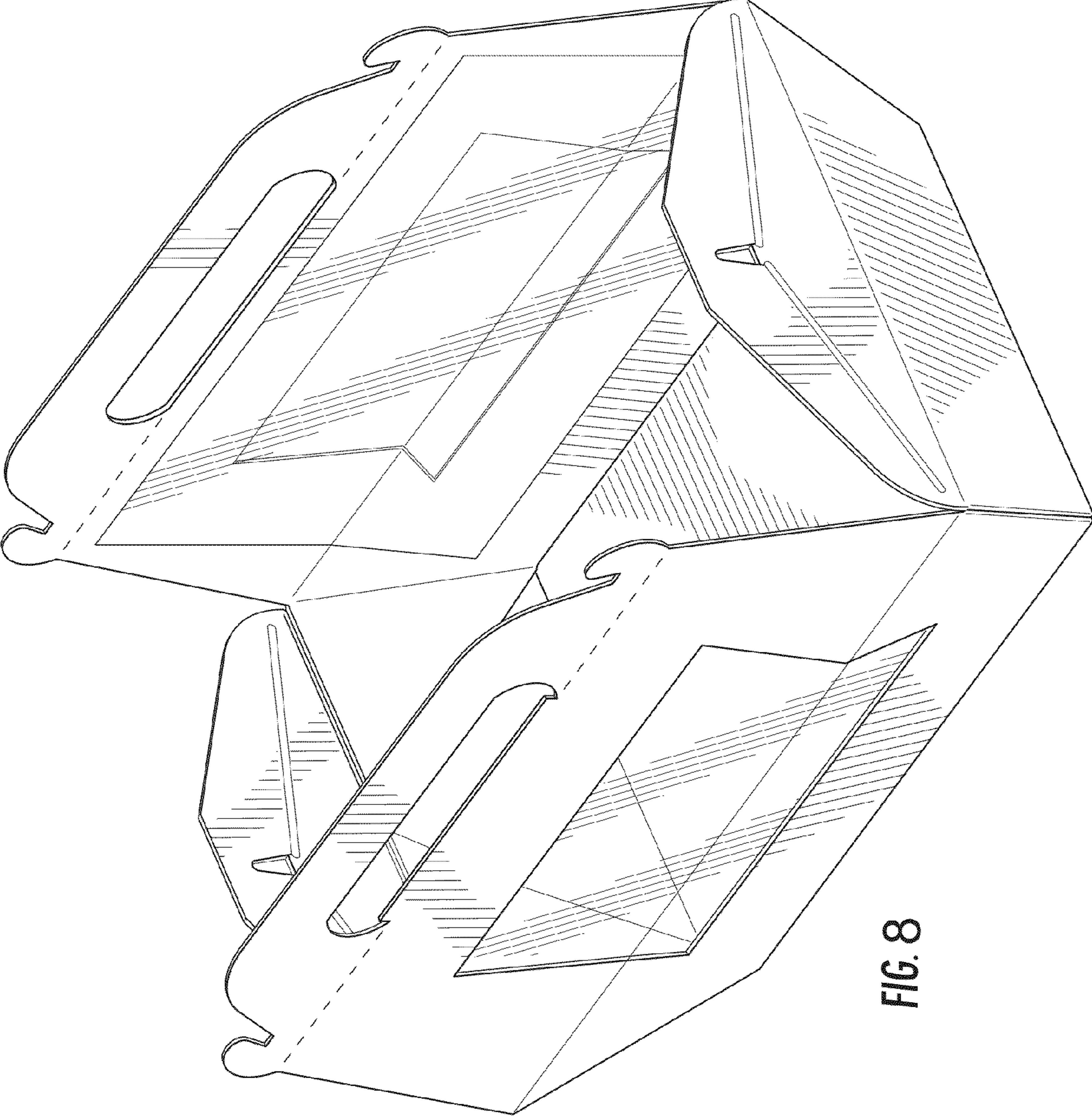


FIG. 7



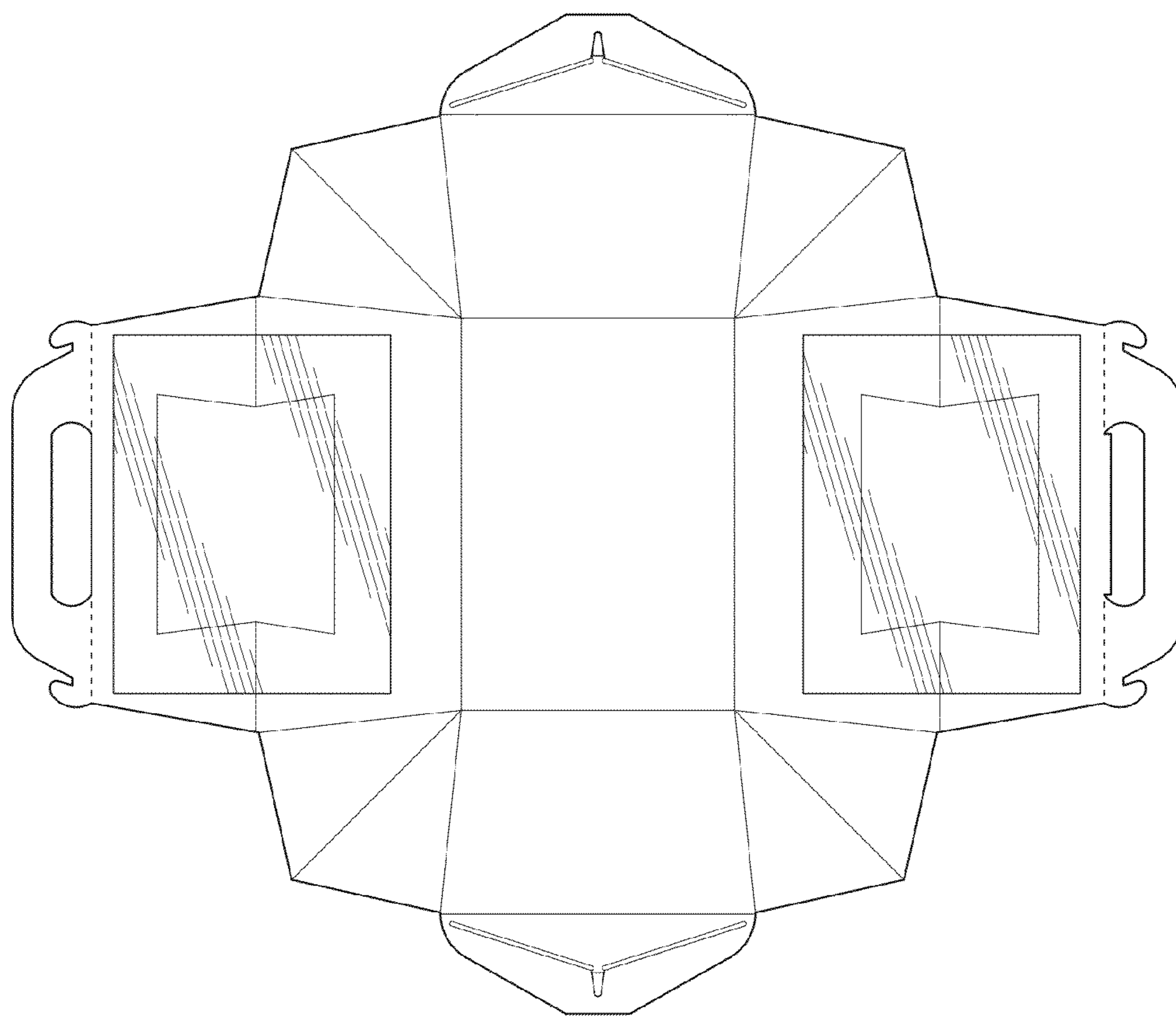


FIG. 9