

US00D693214S

(12) **United States Design Patent**
Limback

(10) **Patent No.:** **US D693,214 S**

(45) **Date of Patent:** **** Nov. 12, 2013**

(54) **MEDICAL PRODUCT PACKAGE**

(71) Applicant: **Nancy Limback**, Bridgewater, NJ (US)

(72) Inventor: **Nancy Limback**, Bridgewater, NJ (US)

(73) Assignee: **Aventisub II Inc.**, Greenville, DE (US)

(**) Term: **14 Years**

(21) Appl. No.: **29/450,563**

(22) Filed: **Mar. 19, 2013**

Related U.S. Application Data

(63) Continuation of application No. 29/385,658, filed on Feb. 17, 2011, now abandoned.

(51) **LOC (9) Cl.** **09-03**

(52) **U.S. Cl.**
USPC **D9/415; D9/432**

(58) **Field of Classification Search**
USPC D9/414, 415, 418, 423, 430-433, 424,
D9/426, 501-503; 210/808, 232, 239;
206/223, 500, 822, 823, 451, 463, 782,
206/510, 784, 438; 215/10, 11.6, 28, 266,
215/283

See application file for complete search history.

(56) **References Cited**

U.S. PATENT DOCUMENTS

1,806,149	A	5/1931	Daugherty	
2,695,128	A *	11/1954	Rendall	229/117.13
2,779,499	A	1/1957	Chidsey, Jr.	
3,219,253	A	11/1965	Davis	
3,254,759	A	6/1966	Britton	
3,368,739	A	2/1968	Roccaforte et al.	
3,587,837	A	6/1971	Smith et al.	
4,020,947	A	5/1977	Roccaforte	
D248,123	S *	6/1978	Cohen	D9/423
4,206,869	A	6/1980	Gurevitz	
4,344,533	A	8/1982	Olsen	
4,378,903	A	4/1983	Sherwood	

(Continued)

FOREIGN PATENT DOCUMENTS

DE 2 226 448 12/1973
DE 3034363 C2 3/1982

(Continued)

OTHER PUBLICATIONS

<http://www.vuprinting.com/suitcase-boxes-p-246.html>.*

(Continued)

Primary Examiner — Robert M Spear

Assistant Examiner — Rhea Shields

(74) *Attorney, Agent, or Firm* — Scully, Scott, Murphy & Presser, P.C.

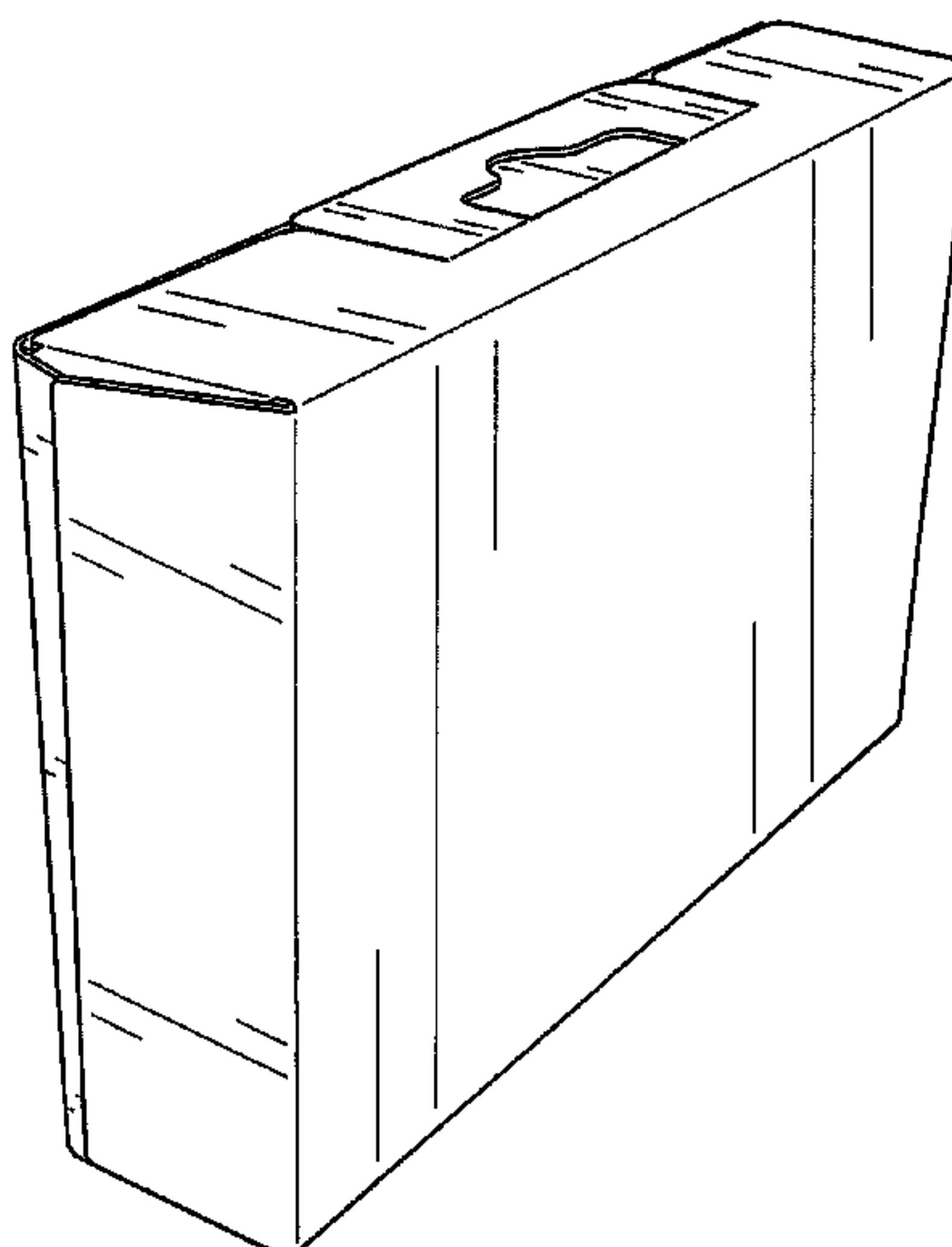
(57) **CLAIM**

The ornamental design for a medical product package, as shown.

DESCRIPTION

FIG. 1 is a perspective view of a medical product package showing my new and ornamental design;
FIG. 2 is a front view thereof;
FIG. 3 is a rear view thereof;
FIG. 4 is a side view thereof;
FIG. 5 is an opposite side view thereof;
FIG. 6 is a top view thereof;
FIG. 7 is a bottom view thereof;
FIG. 8 is another perspective view thereof, showing an alternate position of a tab of the medical product package;
FIG. 9 is a front view thereof;
FIG. 10 is a rear view thereof;
FIG. 11 a side view thereof;
FIG. 12 is an opposite side view thereof;
FIG. 13 is a top view thereof; and,
FIG. 14 is a bottom view thereof.

1 Claim, 8 Drawing Sheets



(56)

References Cited

U.S. PATENT DOCUMENTS

4,383,637 A 5/1983 Pfeiffer et al.
 4,453,629 A 6/1984 Goldberg
 4,863,052 A * 9/1989 Lambert 229/117.3
 5,021,274 A 6/1991 Beck et al.
 5,117,976 A 6/1992 Whitt et al.
 5,190,200 A 3/1993 Hammerlund
 D385,187 S * 10/1997 Loft D9/433
 D396,805 S * 8/1998 Broyles D9/432
 5,975,415 A 11/1999 Zehnal
 D418,751 S * 1/2000 Wolf D9/432
 D485,172 S 1/2004 Defino, Jr.
 6,758,340 B1 7/2004 Feibelman
 D515,811 S 2/2006 Liu
 D531,021 S 10/2006 Ashby et al.
 7,243,800 B1 7/2007 Feibelman
 D567,646 S 4/2008 Ballard
 D590,247 S * 4/2009 Pokempner et al. D9/418
 D620,354 S * 7/2010 Block D9/433
 D652,717 S * 1/2012 Shimoyama et al. D9/432
 2012/0211385 A1 * 8/2012 Limback 206/438

FOREIGN PATENT DOCUMENTS

DE G 92 11 826.7 12/1992
 DE 42 10 875 A1 10/1993

DE 43 22 555 A1 1/1995
 DE 195 41 904 A1 5/1997
 DE 1 868 275 3/2013
 FR 2 948 104 1/2011

OTHER PUBLICATIONS

[http://blog.salazarpackaging.com/sustainable-packaging/new-eco-friendly-corrugated-mail . . . *](http://blog.salazarpackaging.com/sustainable-packaging/new-eco-friendly-corrugated-mail...)
[http://veronicawong.ca/work/reeves-watercolours/ .*](http://veronicawong.ca/work/reeves-watercolours/)
 International Search Report for International Application No. PCT/US2012/025147 dated May 23, 2012.
<http://jesperhellzen.com/acne.php>.
[http://www.shutterstock.com/pic-111342395/stock-vector-carton-or-plastic-white-blank-p . . .](http://www.shutterstock.com/pic-111342395/stock-vector-carton-or-plastic-white-blank-p...)
http://www.sony.net/Fun/design/activity/product/sustainable_package/02.html.
<http://thebestpromotionalproducts.com/maletin-carton-reciclado-natural-id-94.html>.
 Notice of Allowance issued in U.S. Appl. No. 29/385,658 dated Dec. 20, 2012.

* cited by examiner

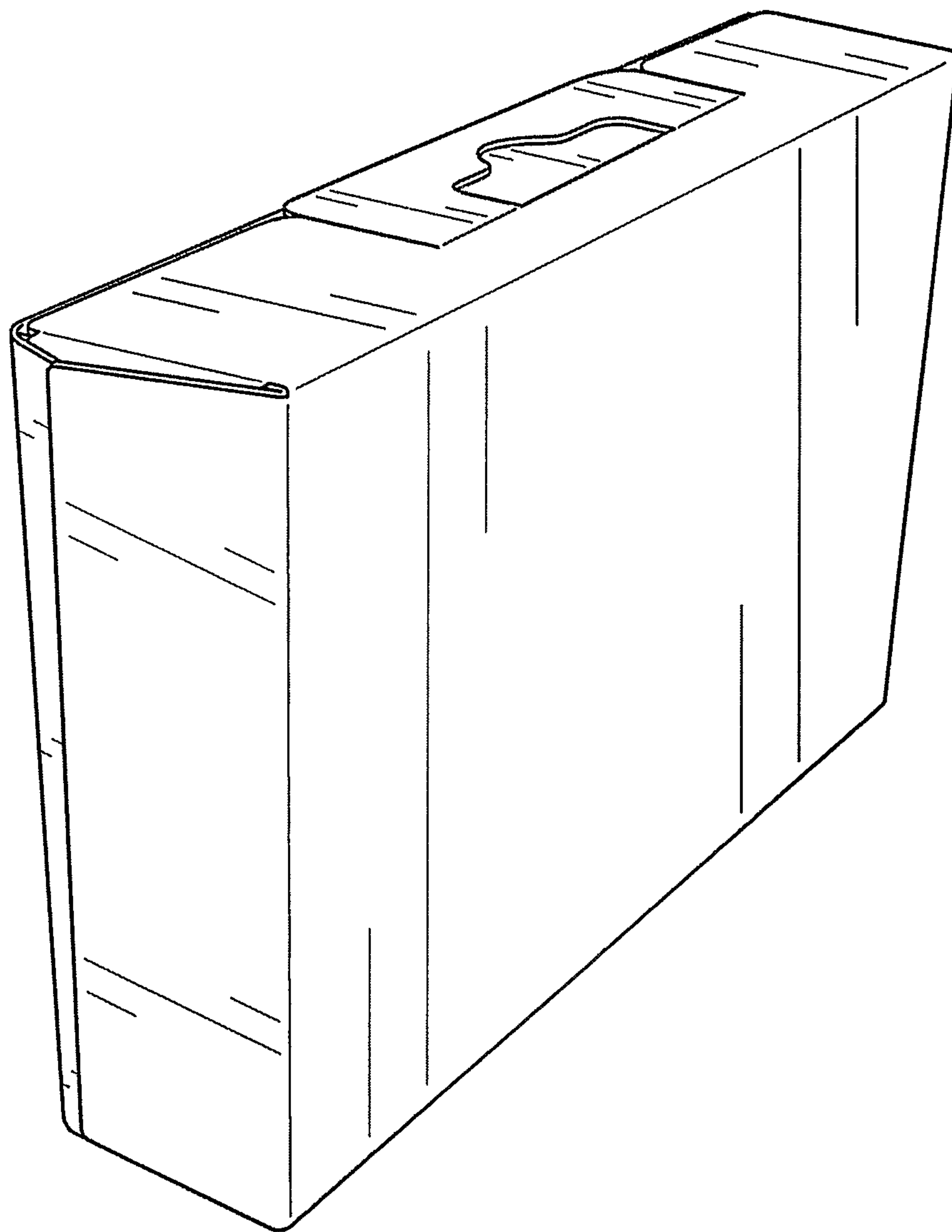


FIG. 1

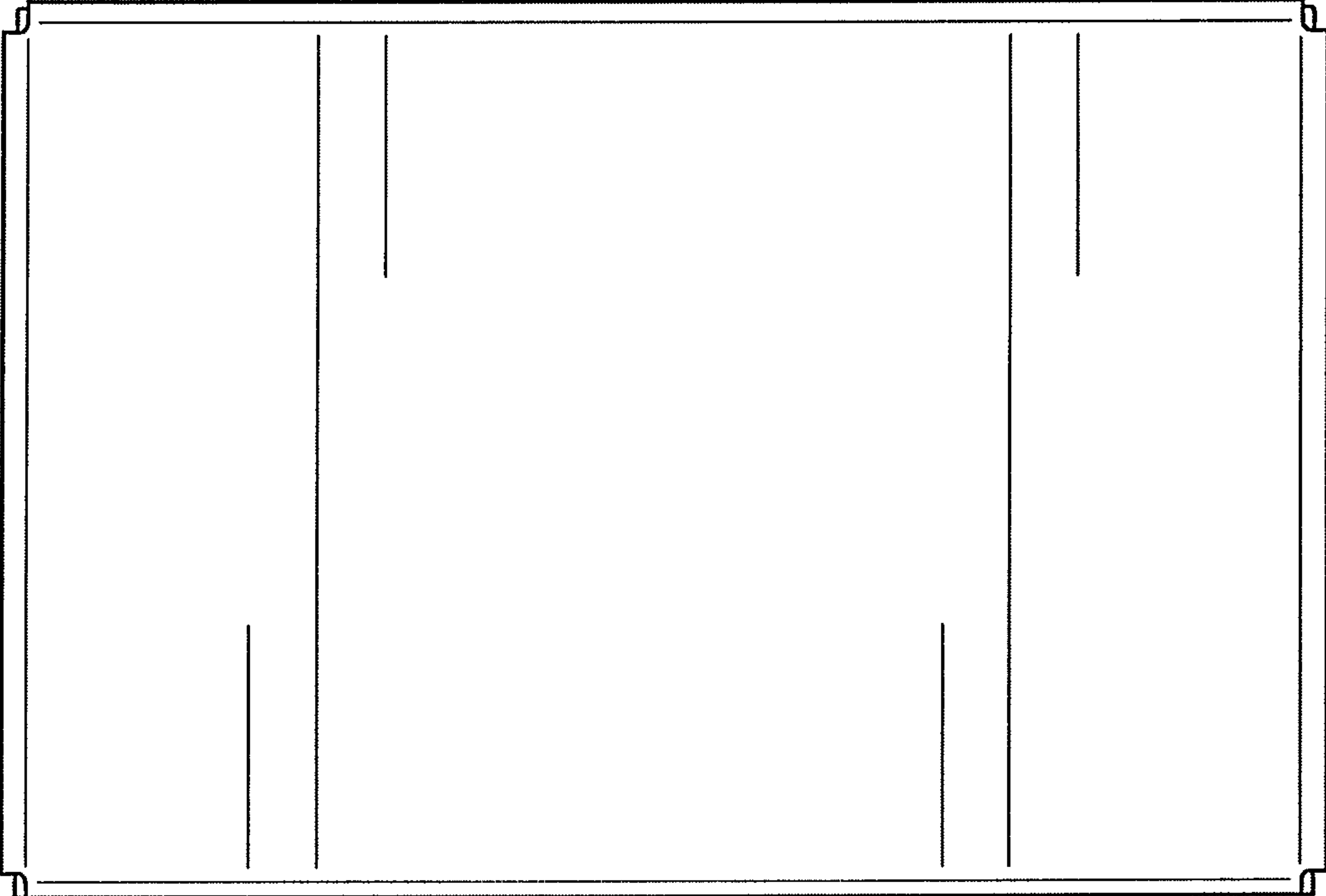


FIG. 2

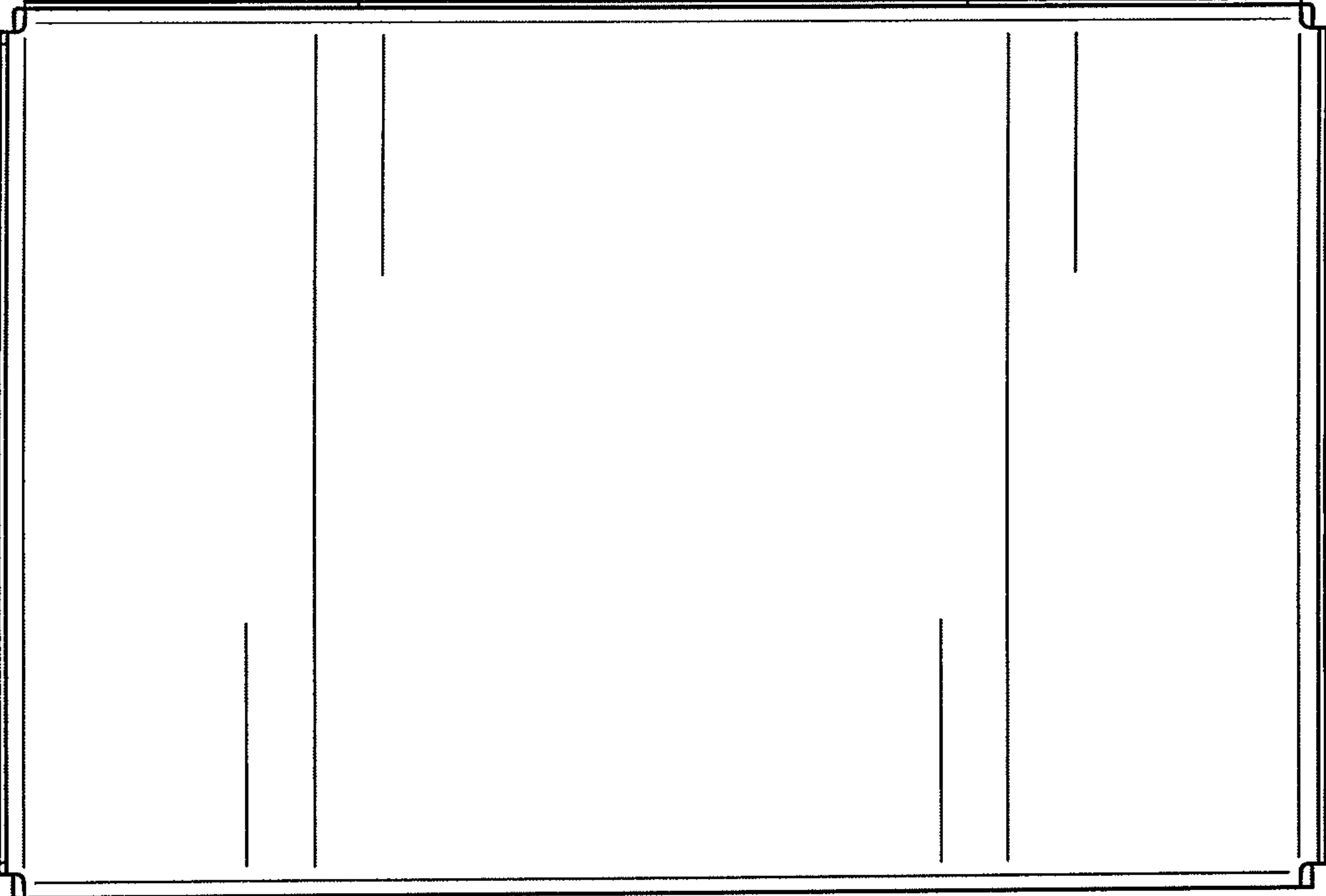


FIG. 3

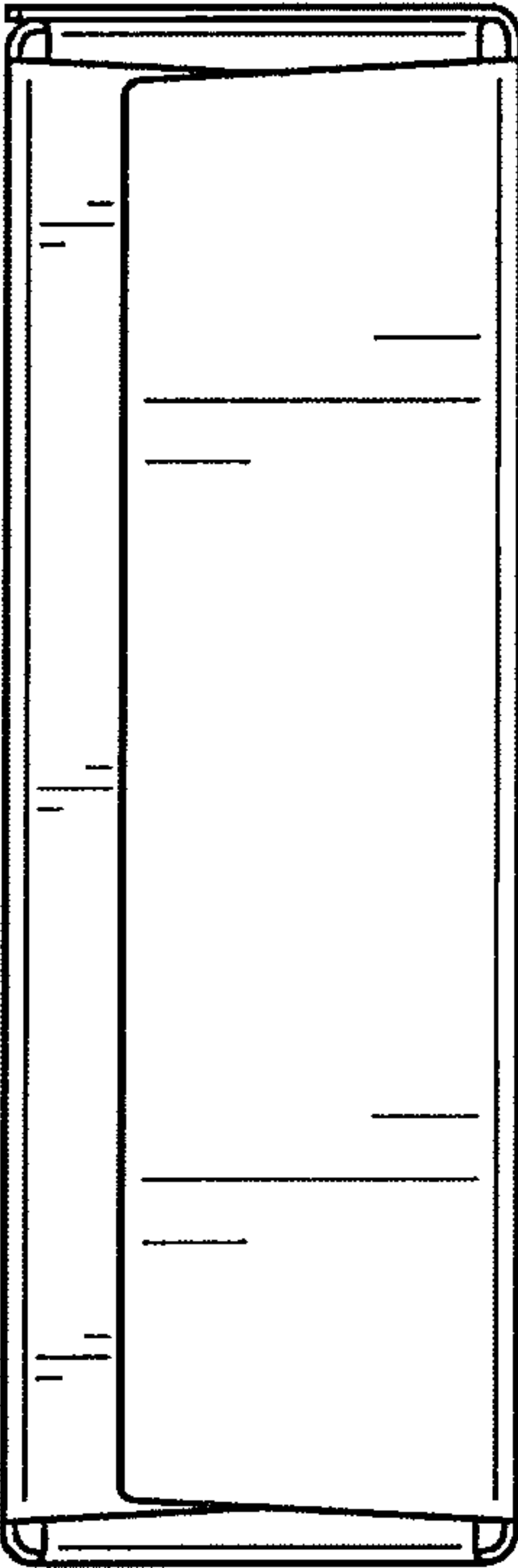


FIG. 4

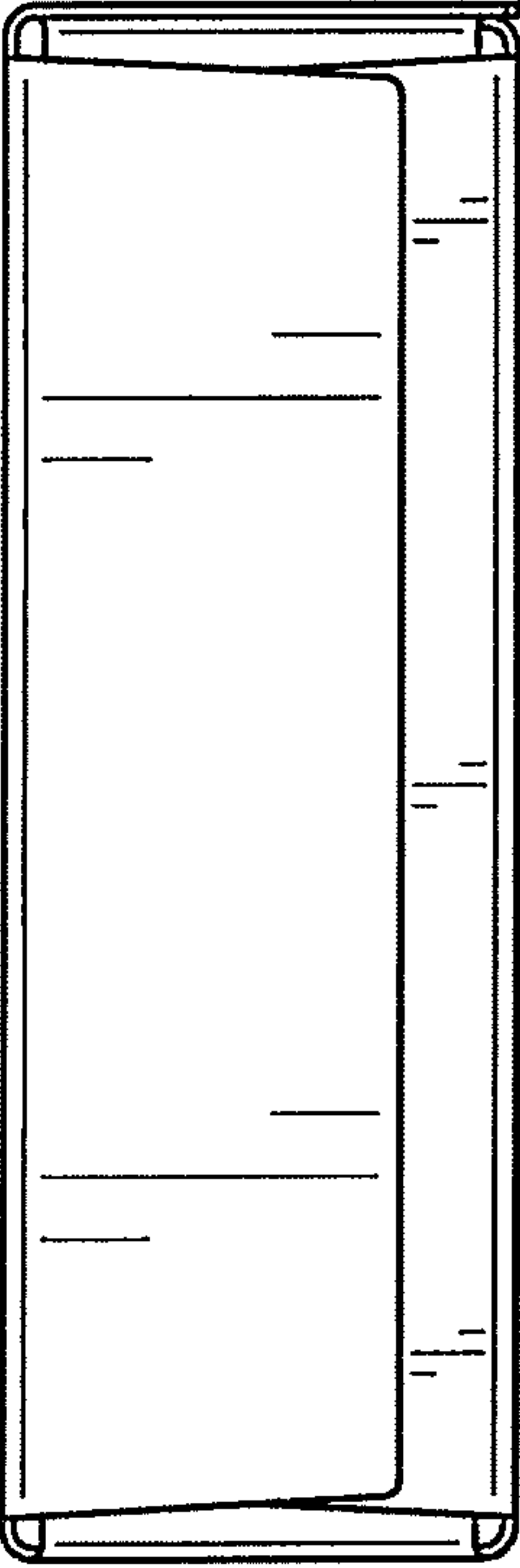


FIG. 5

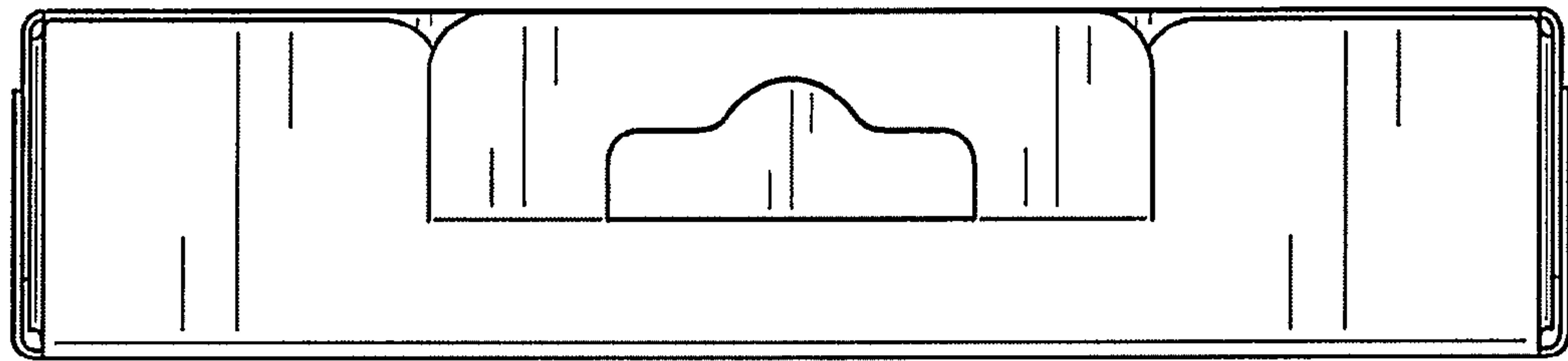


FIG. 6

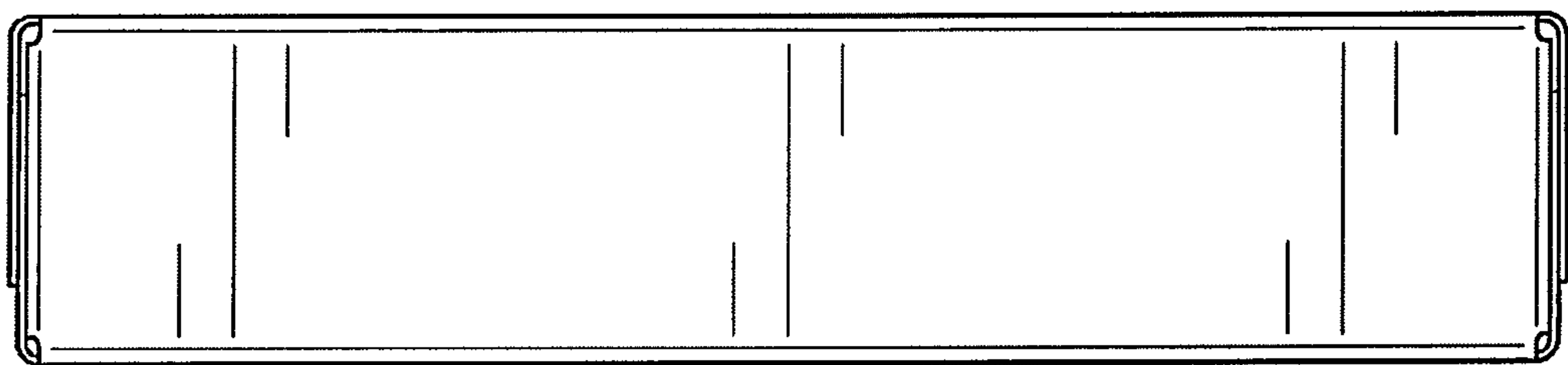


FIG. 7

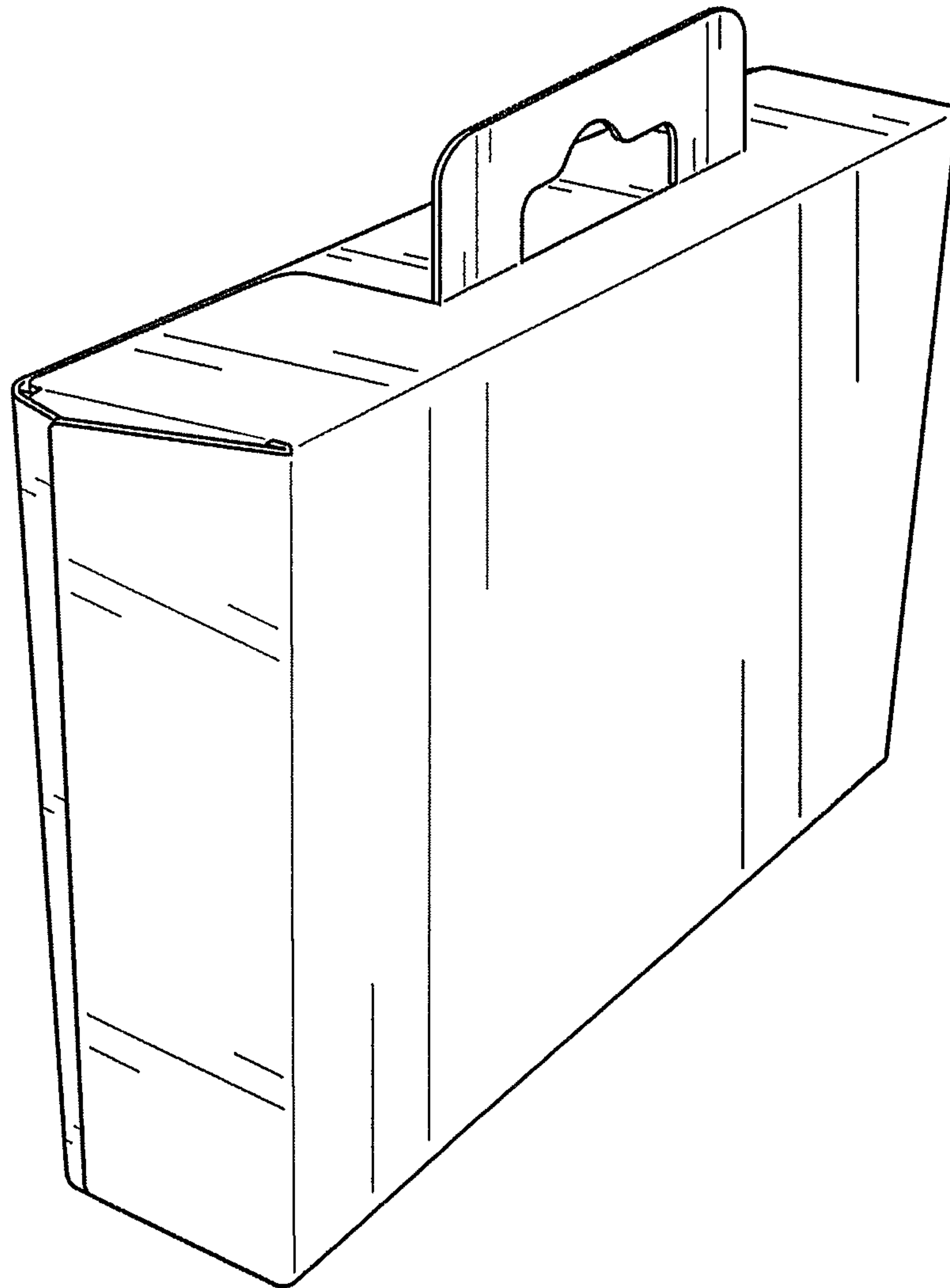


FIG. 8

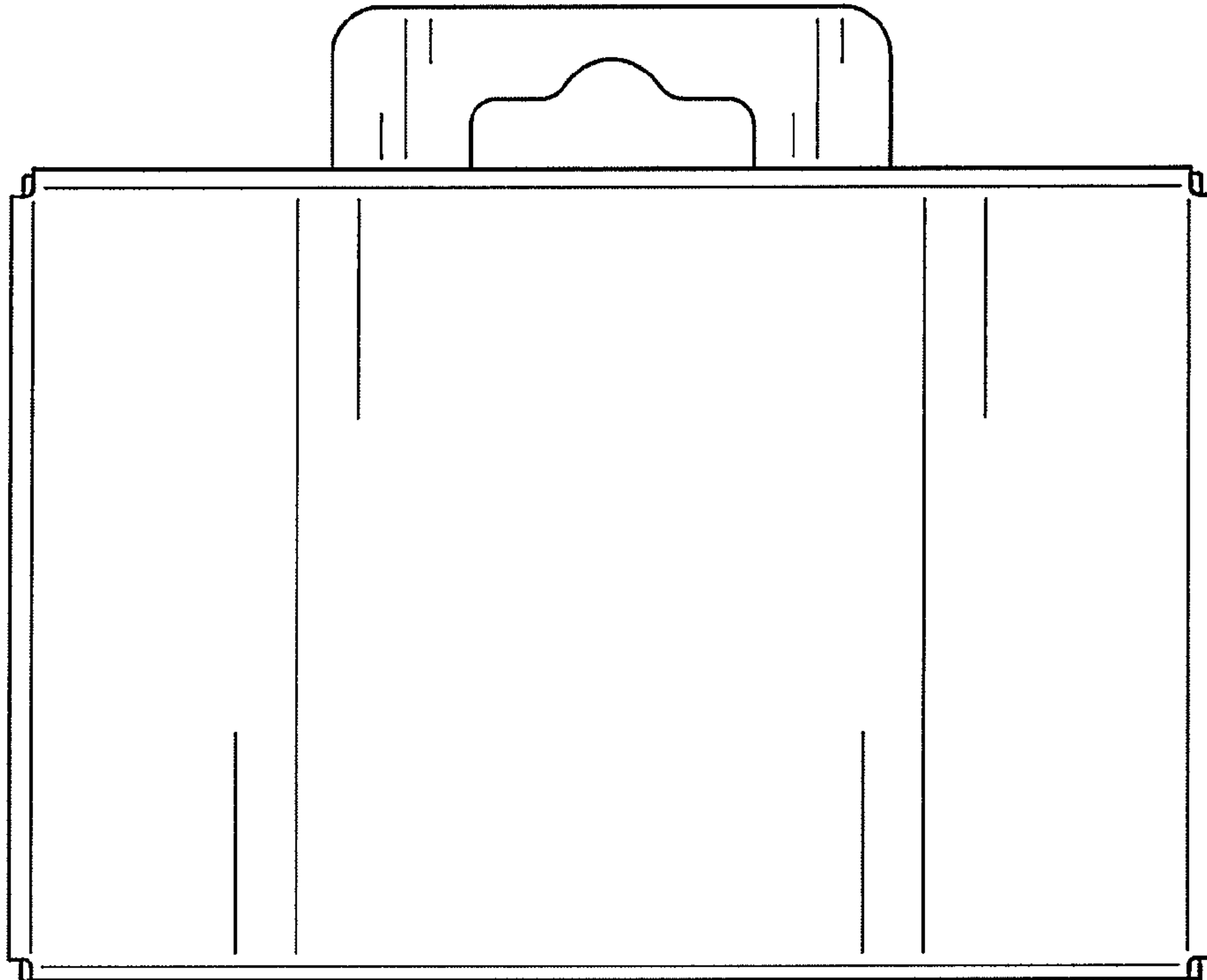


FIG. 9

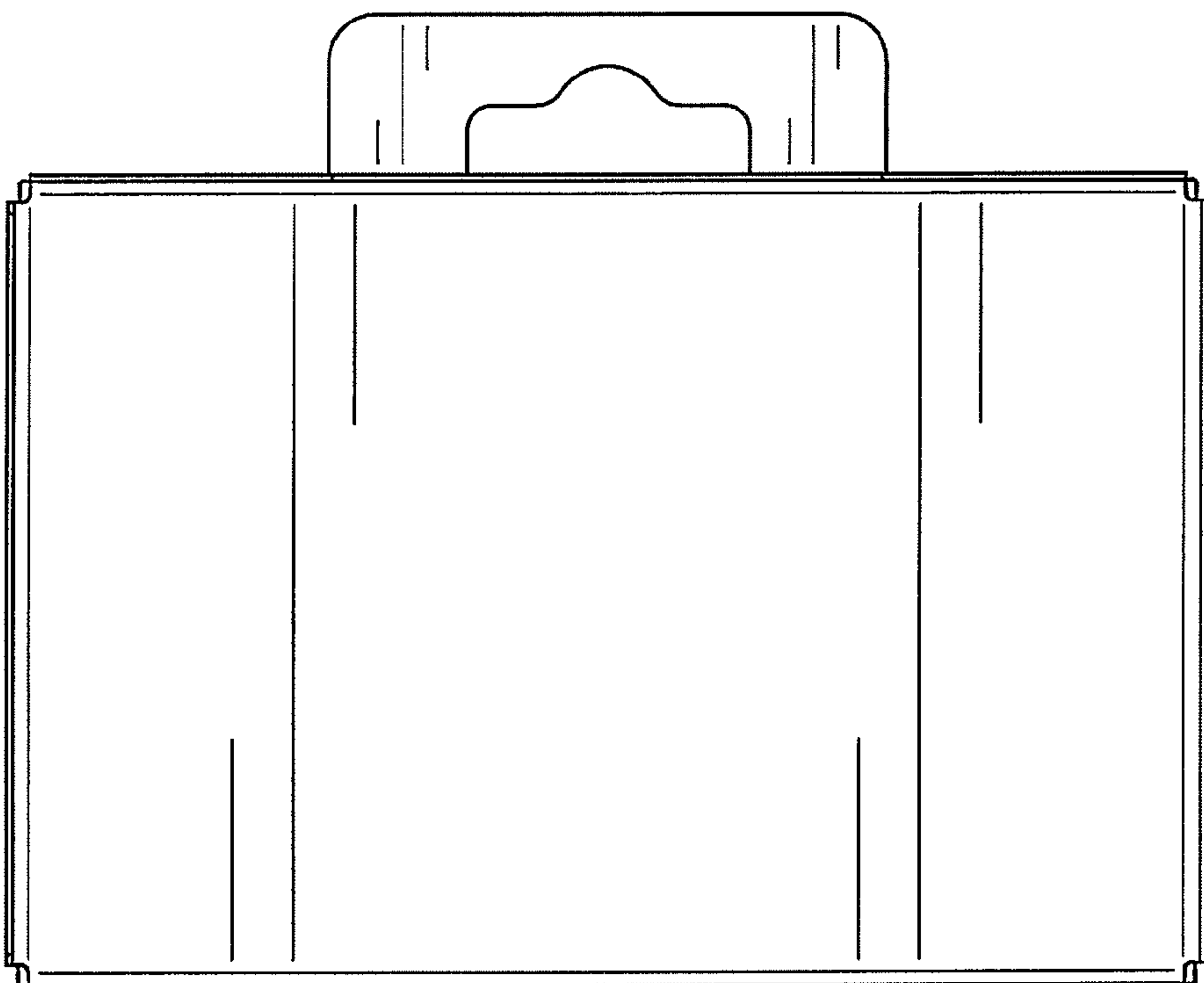


FIG. 10

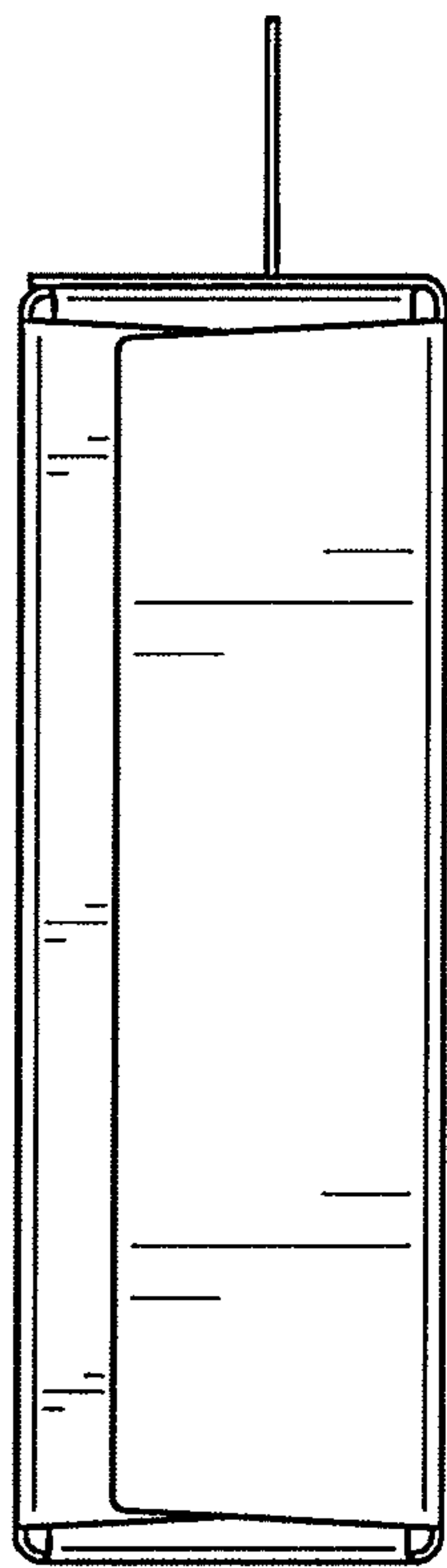


FIG. 11

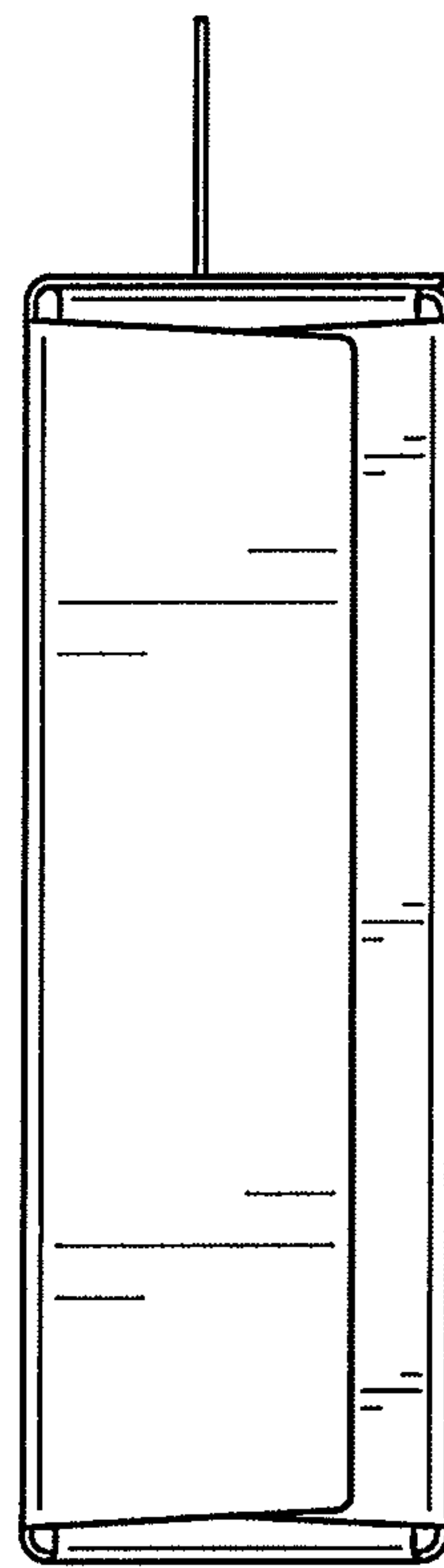


FIG. 12

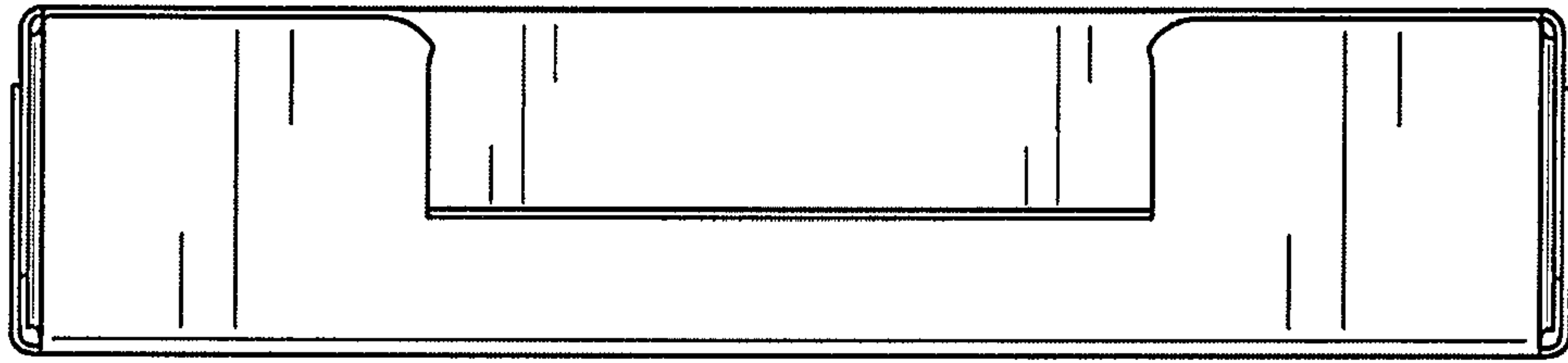


FIG. 13

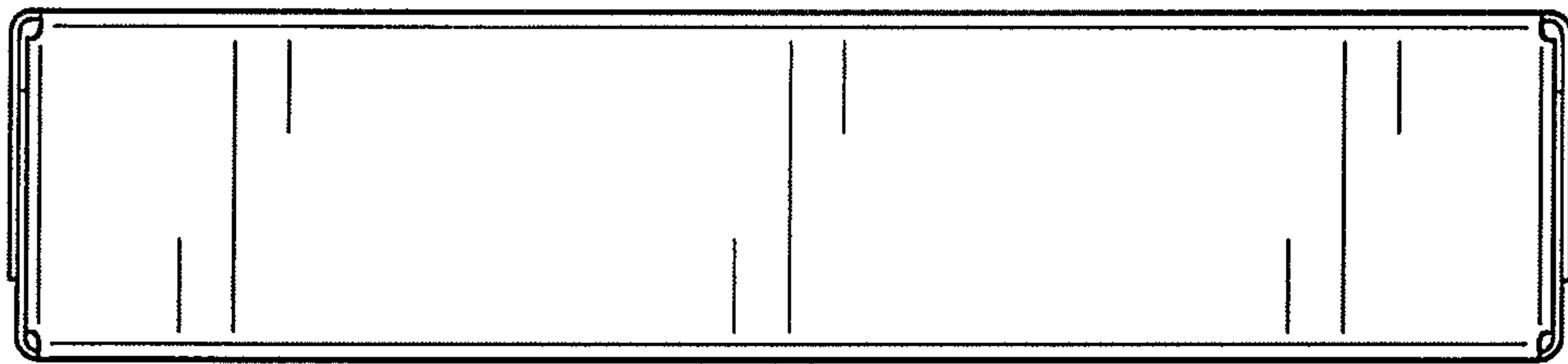


FIG. 14