



US00D693211S

(12) **United States Design Patent**  
**Brown et al.**

(10) **Patent No.:** **US D693,211 S**  
(45) **Date of Patent:** **\*\* Nov. 12, 2013**

- (54) **CLIP**
- (71) Applicant: **Target Brands, Inc.**, Minneapolis, MN (US)
- (72) Inventors: **Emily T. Brown**, Minneapolis, MN (US); **Kendal L. Dudek**, Minneapolis, MN (US); **Jennifer M. Robertus**, Crystal, MN (US)
- (73) Assignee: **Target Brands, Inc.**, Minneapolis, MN (US)
- (\*\*) Term: **14 Years**
- (21) Appl. No.: **29/457,693**
- (22) Filed: **Jun. 12, 2013**
- (51) **LOC (9) Cl.** ..... **08-08**
- (52) **U.S. Cl.**  
USPC ..... **D8/395**
- (58) **Field of Classification Search**  
USPC ..... D8/394-396, 72, 367, 373; D19/56, 65, D19/86; 24/67.3; D32/60-64; D28/40  
See application file for complete search history.

D488,834 S *	4/2004	Mandel et al.	.....	D19/65
D497,186 S *	10/2004	Cetera	.....	D19/88
D500,082 S *	12/2004	Rosado	.....	D19/65
D508,954 S *	8/2005	Cetera	.....	D19/78
D518,525 S *	4/2006	Bhavnani	.....	D19/88
D522,850 S *	6/2006	Mandel	.....	D8/395
D523,477 S *	6/2006	Cetera	.....	D19/65
D525,658 S *	7/2006	Wolff et al.	.....	D19/88
D550,550 S	9/2007	Lee		
D571,649 S	6/2008	Baker		

\* cited by examiner

*Primary Examiner* — John Windmuller

(74) *Attorney, Agent, or Firm* — Leanne Taveggia Farrell; Westman, Champlin & Koehler, P.A.

(57) **CLAIM**

The ornamental design for a clip, as shown and described.

**DESCRIPTION**

FIG. 1 is a perspective view of a clip showing our new design; FIG. 2 is a front view thereof, the back view being identical; FIG. 3 is a left side view thereof; FIG. 4 is a right side view thereof; FIG. 5 is a bottom view thereof; FIG. 6 is a top view thereof; FIG. 7 is a perspective view of a second embodiment thereof; FIG. 8 is a front view of FIG. 7, the back view being identical; FIG. 9 is a right side view of FIG. 7; FIG. 10 is a left side view of FIG. 7; FIG. 11 is a bottom view of FIG. 7; and, FIG. 12 is a top view of FIG. 7.

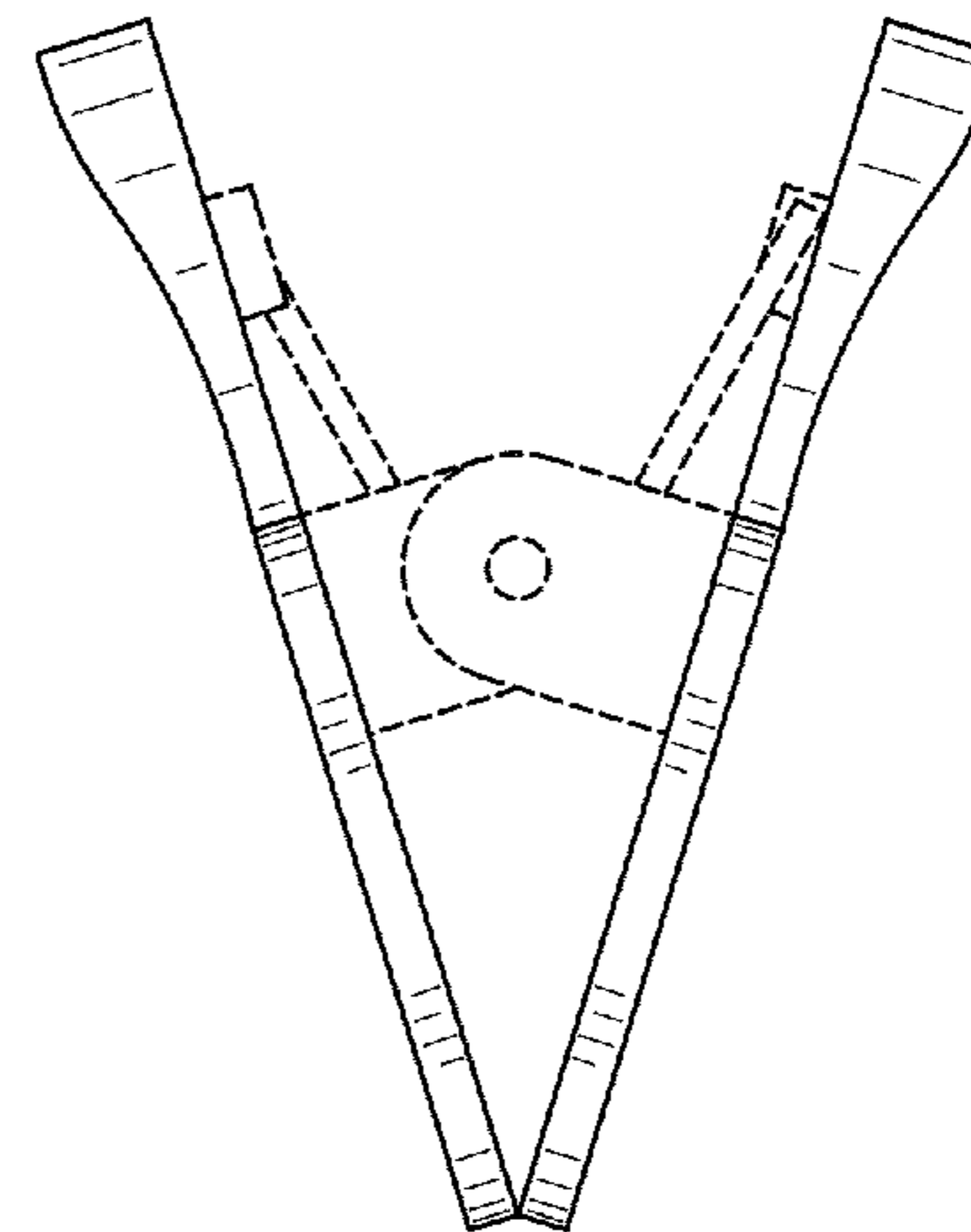
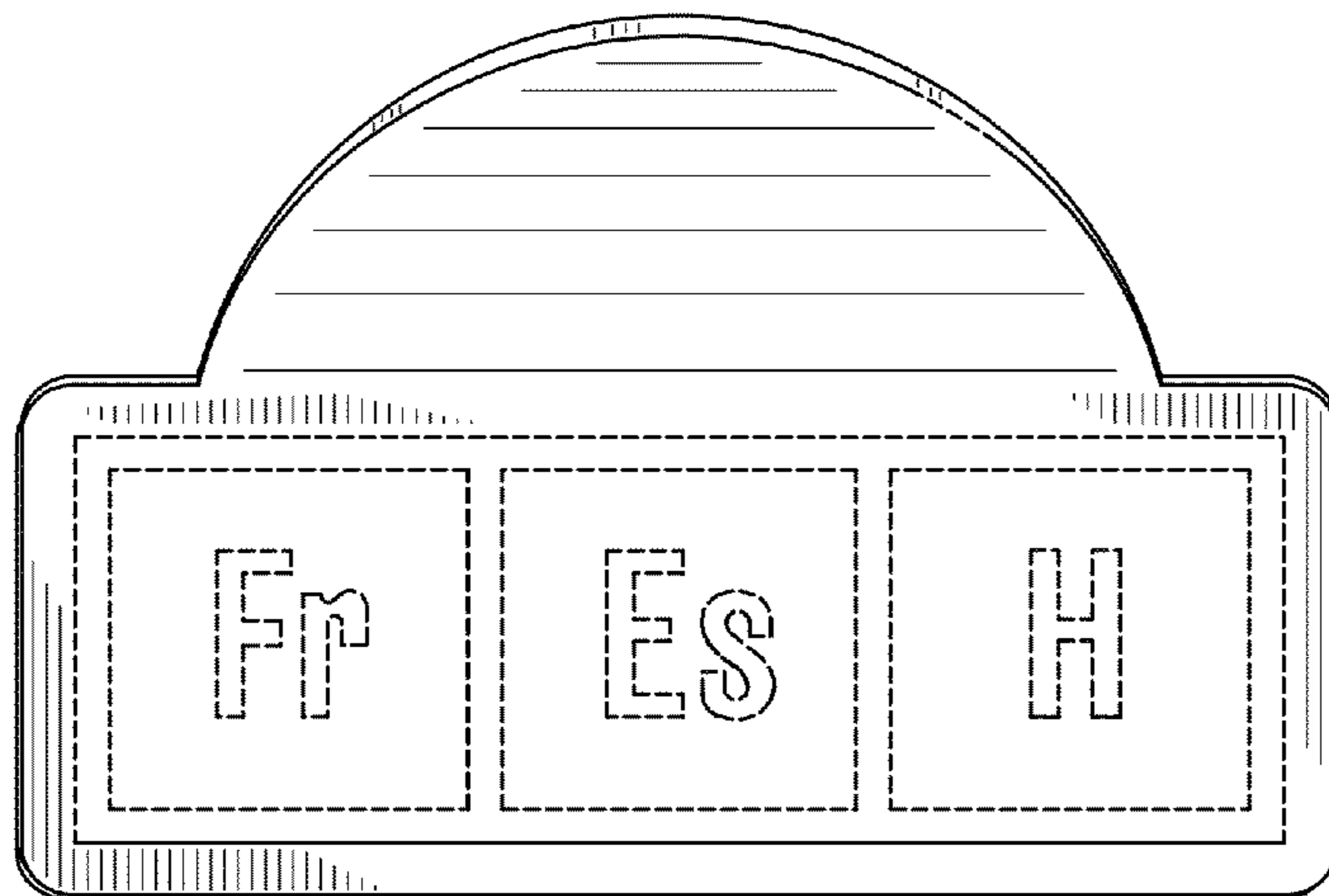
The broken lines shown in the drawings are included for purposes of illustrating portions of the clip that form no part of the claimed design.

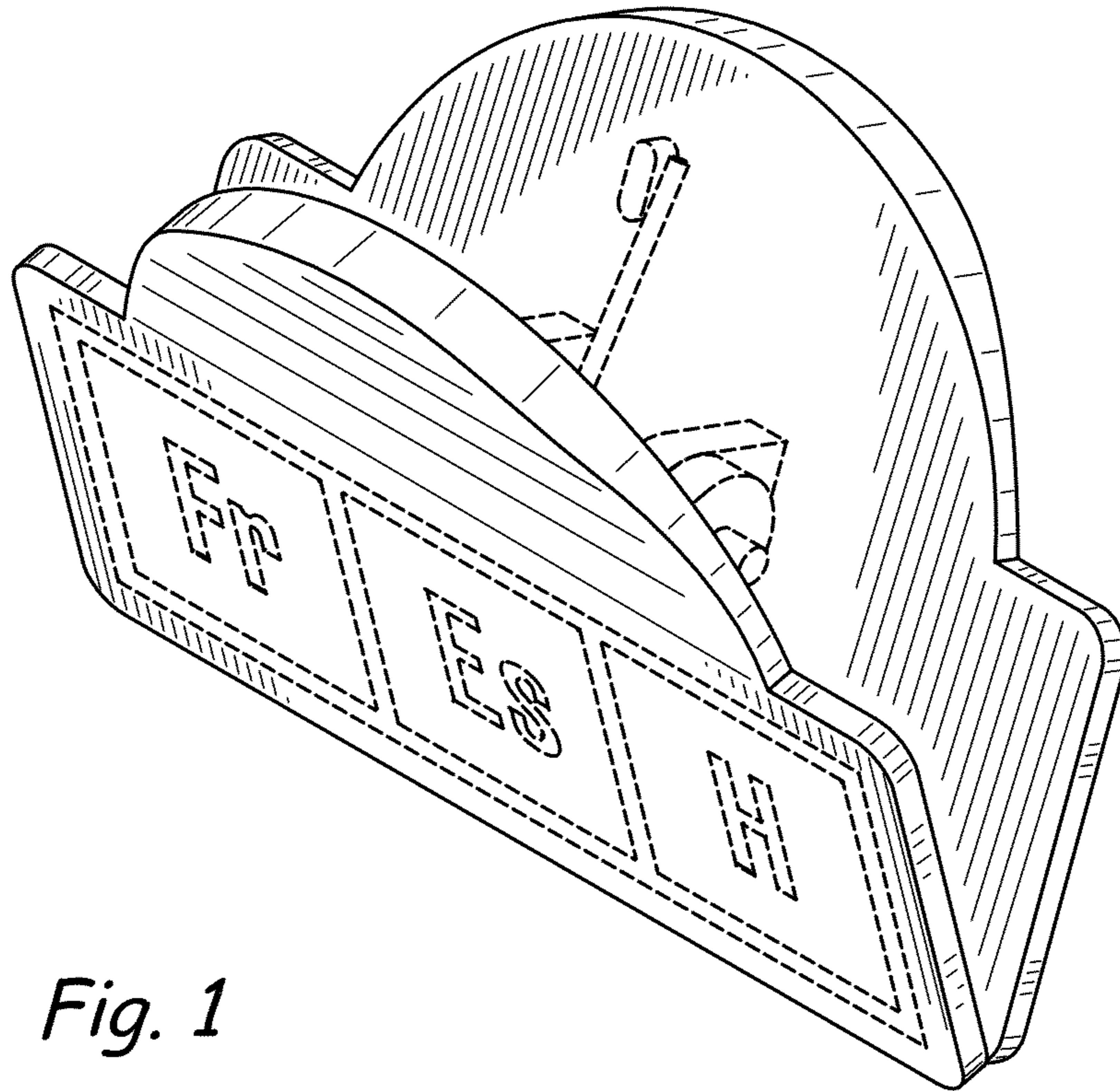
**1 Claim, 5 Drawing Sheets**

(56) **References Cited**

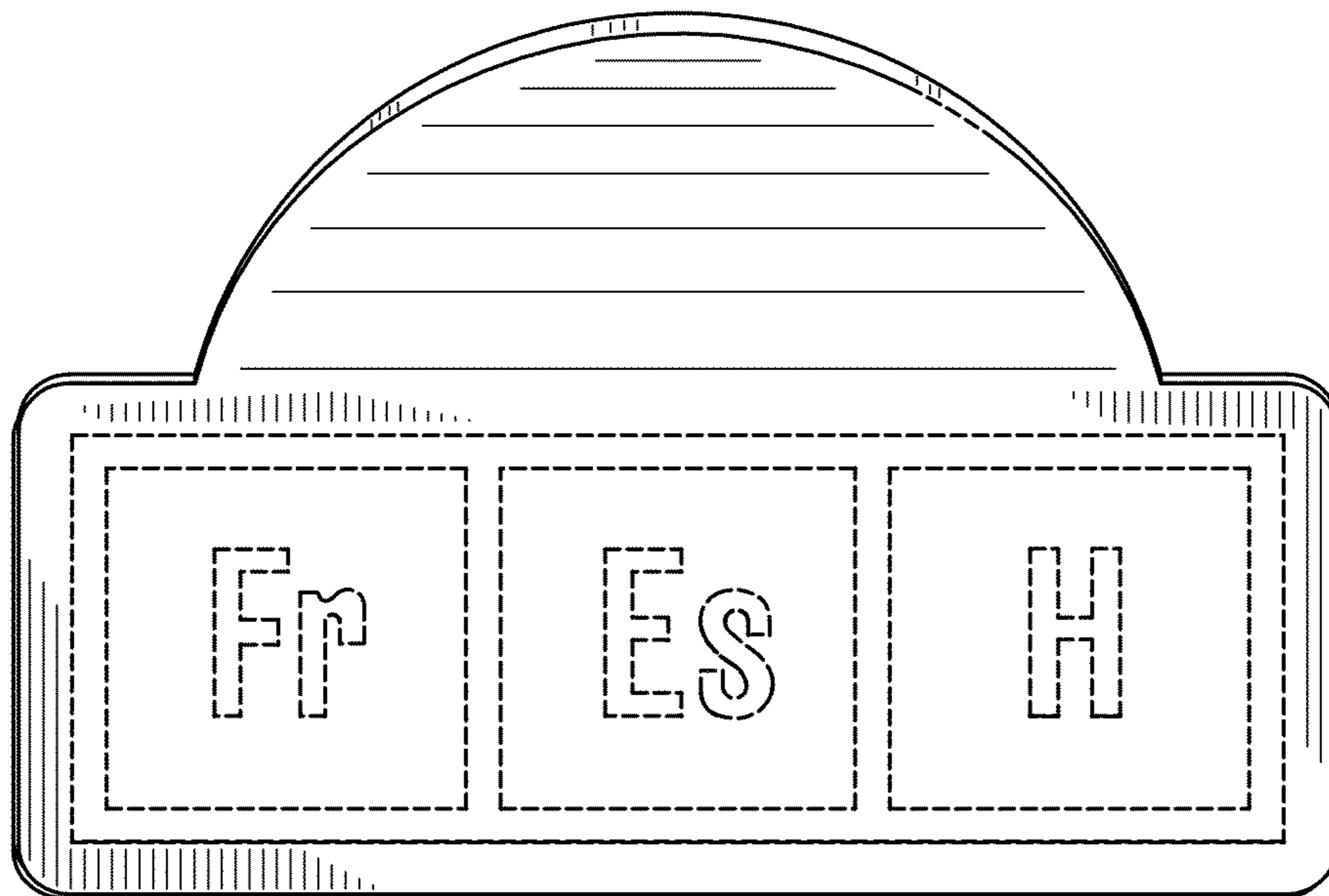
U.S. PATENT DOCUMENTS

D229,033 S	11/1973	Cooper	
4,394,791 A	7/1983	Groth	
D303,216 S	9/1989	Hoffman et al.	
D383,970 S	9/1997	Berman	
5,802,677 A	9/1998	Dorman et al.	
D420,912 S	2/2000	Vaught	
D440,148 S	4/2001	Kan	
D446,549 S *	8/2001	Cheris et al.	..... D19/88
D468,356 S	1/2003	Snell	





*Fig. 1*



*Fig. 2*

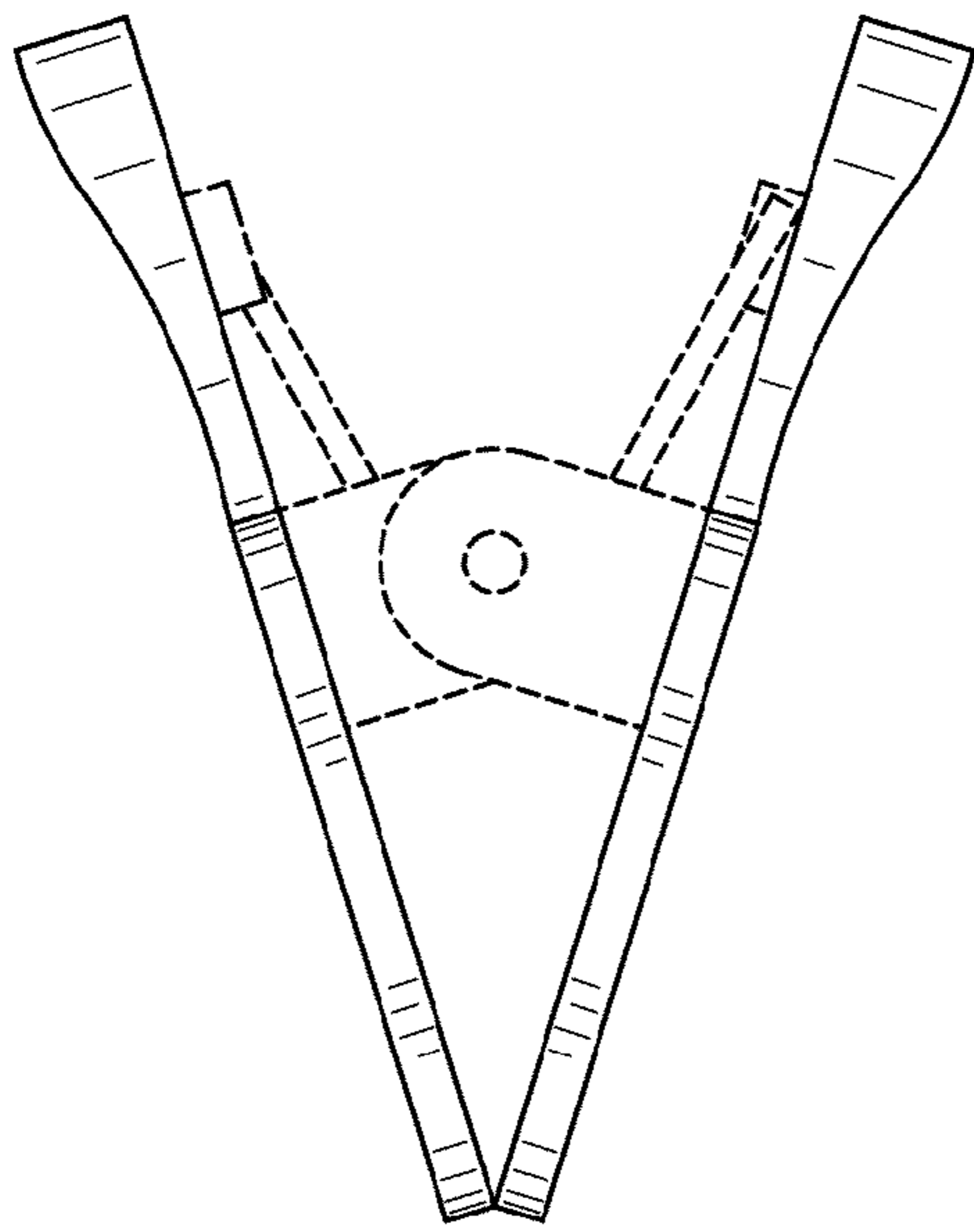


Fig. 3

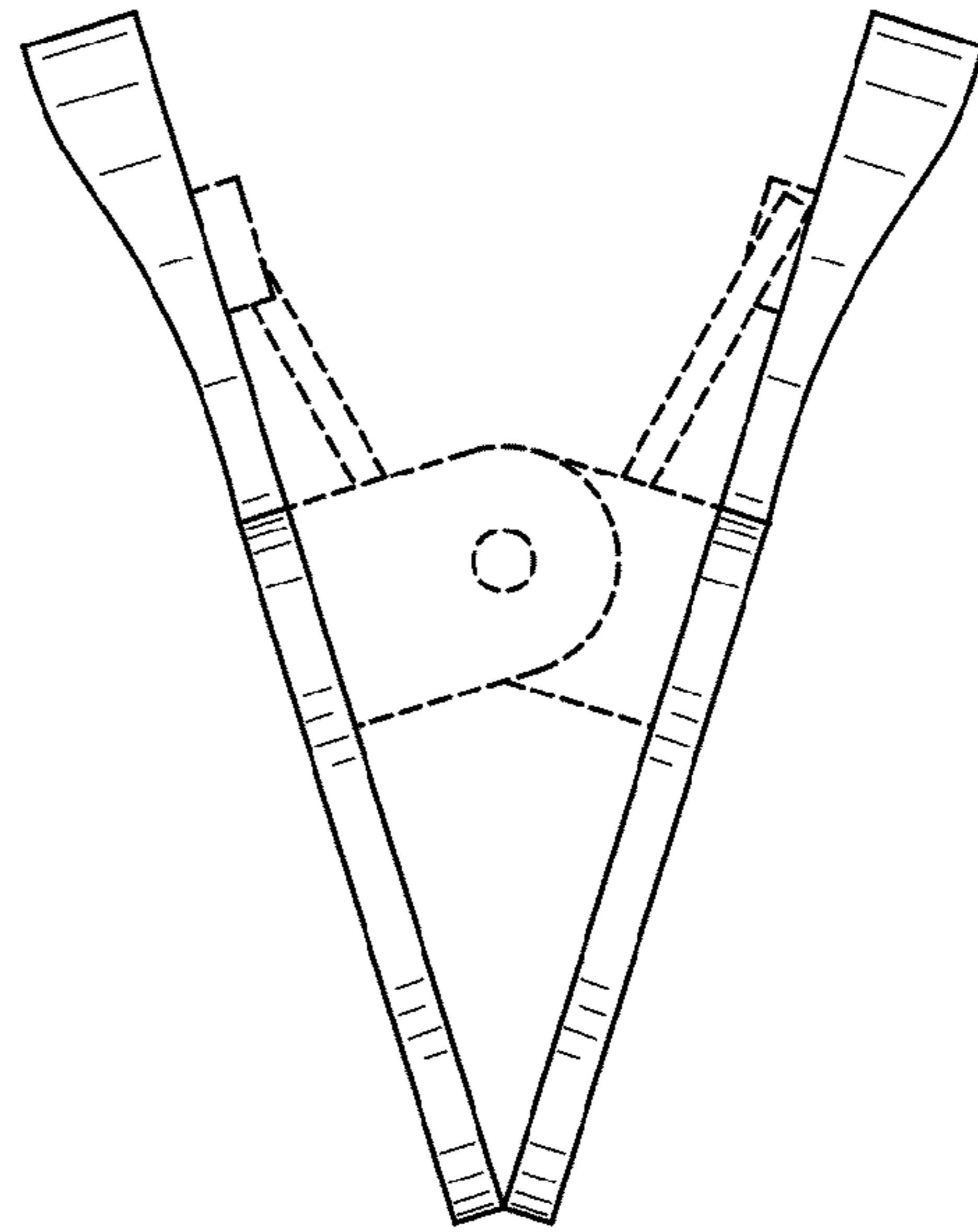


Fig. 4

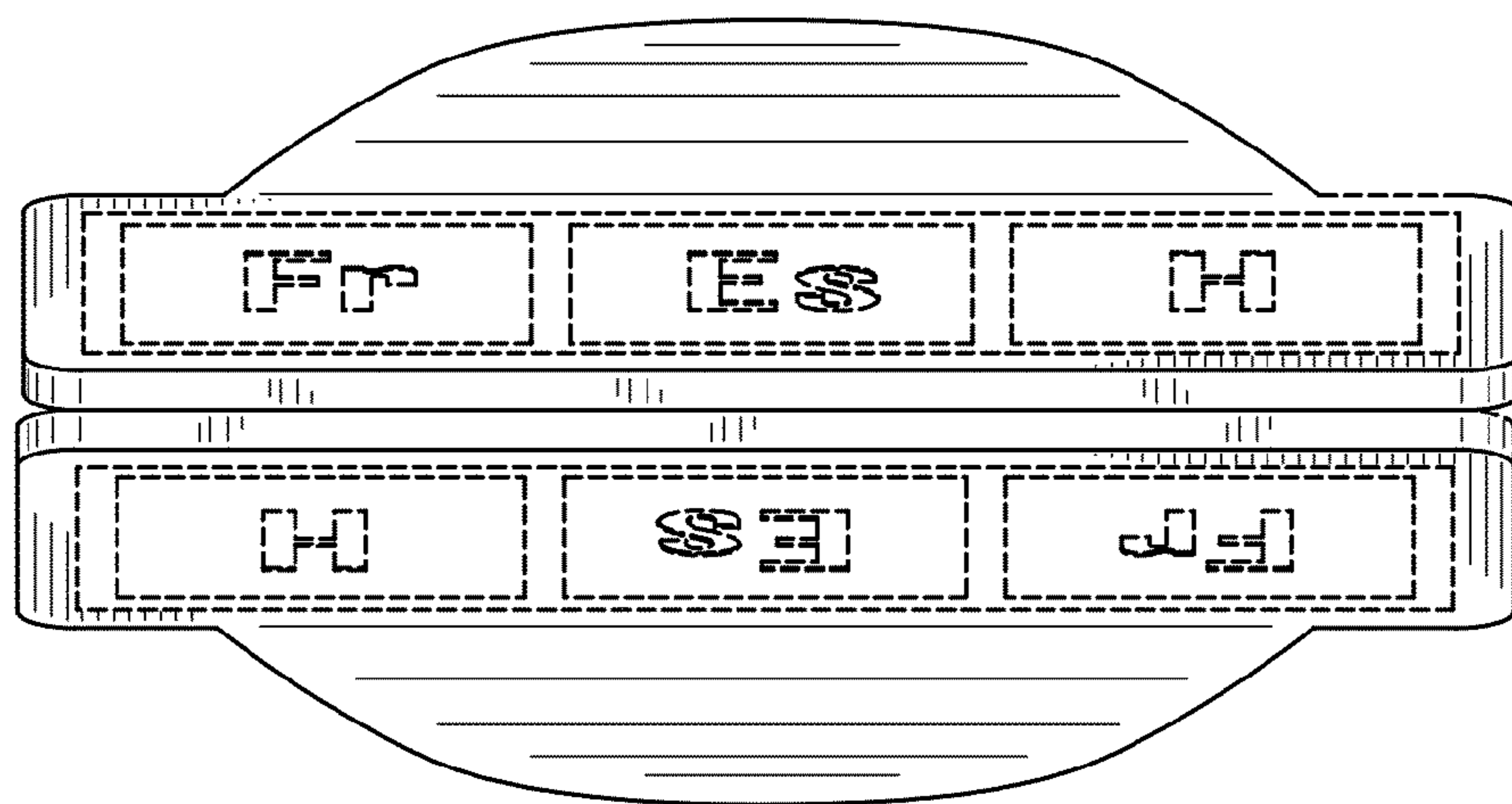
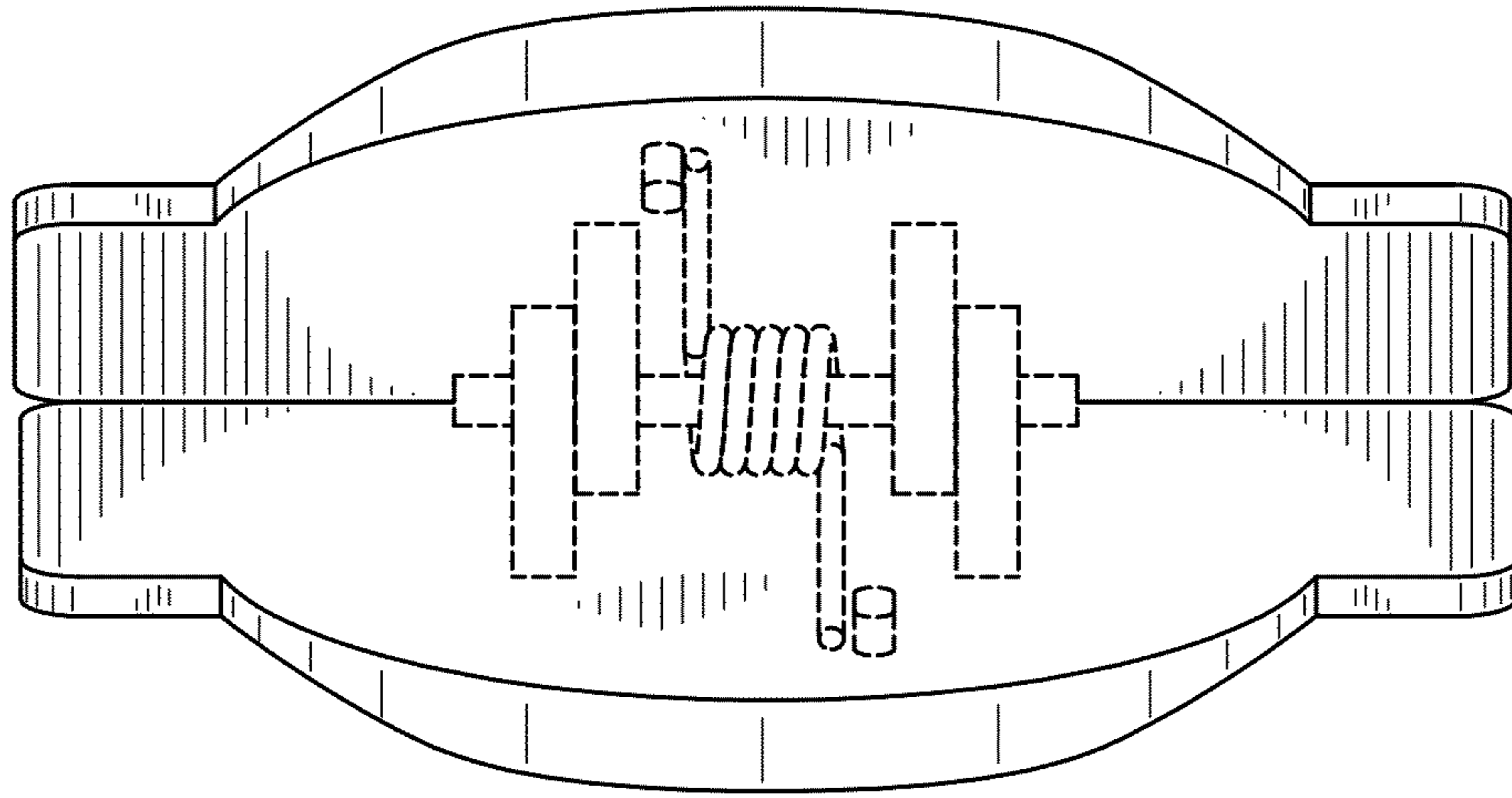
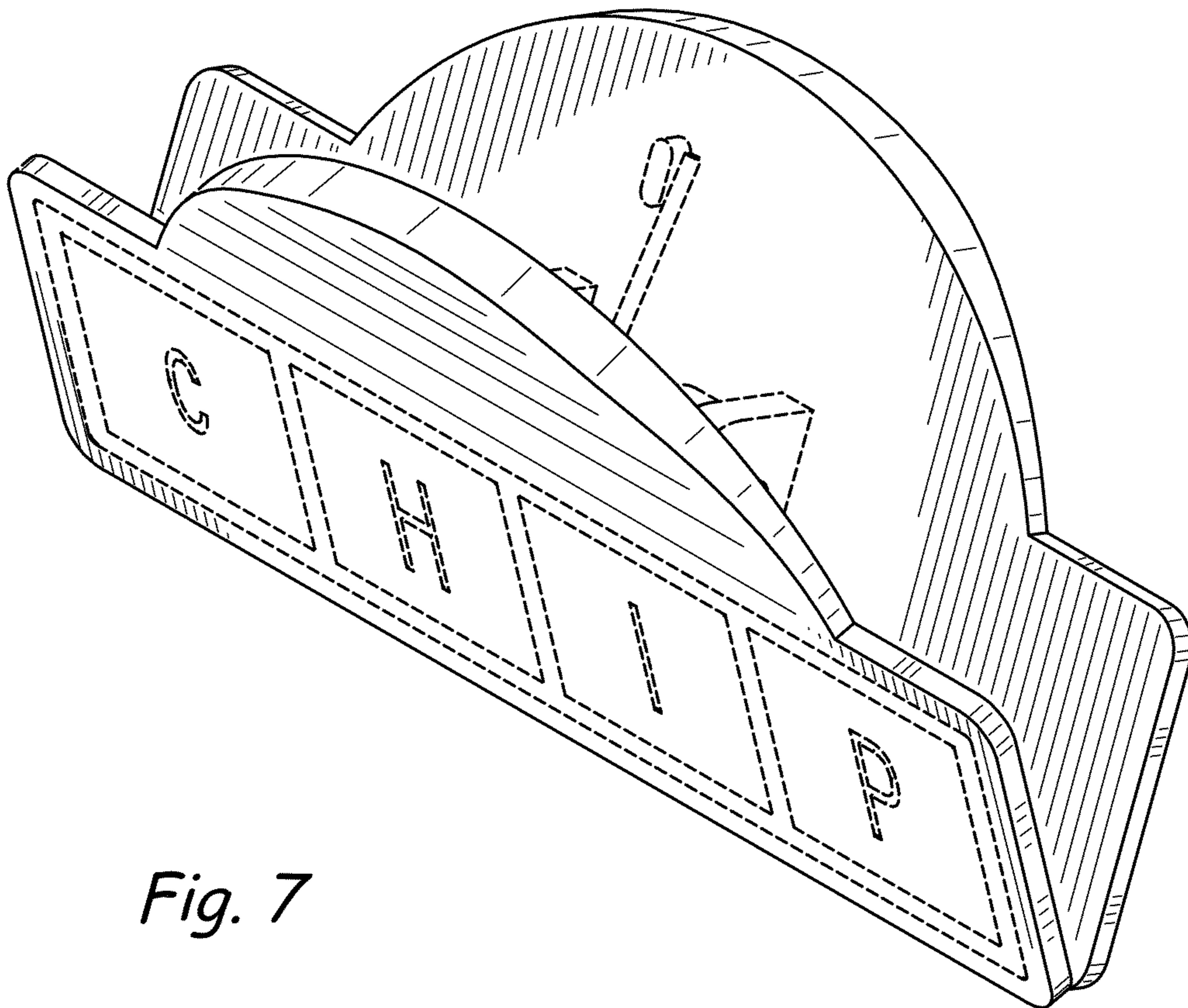


Fig. 5



*Fig. 6*



*Fig. 7*

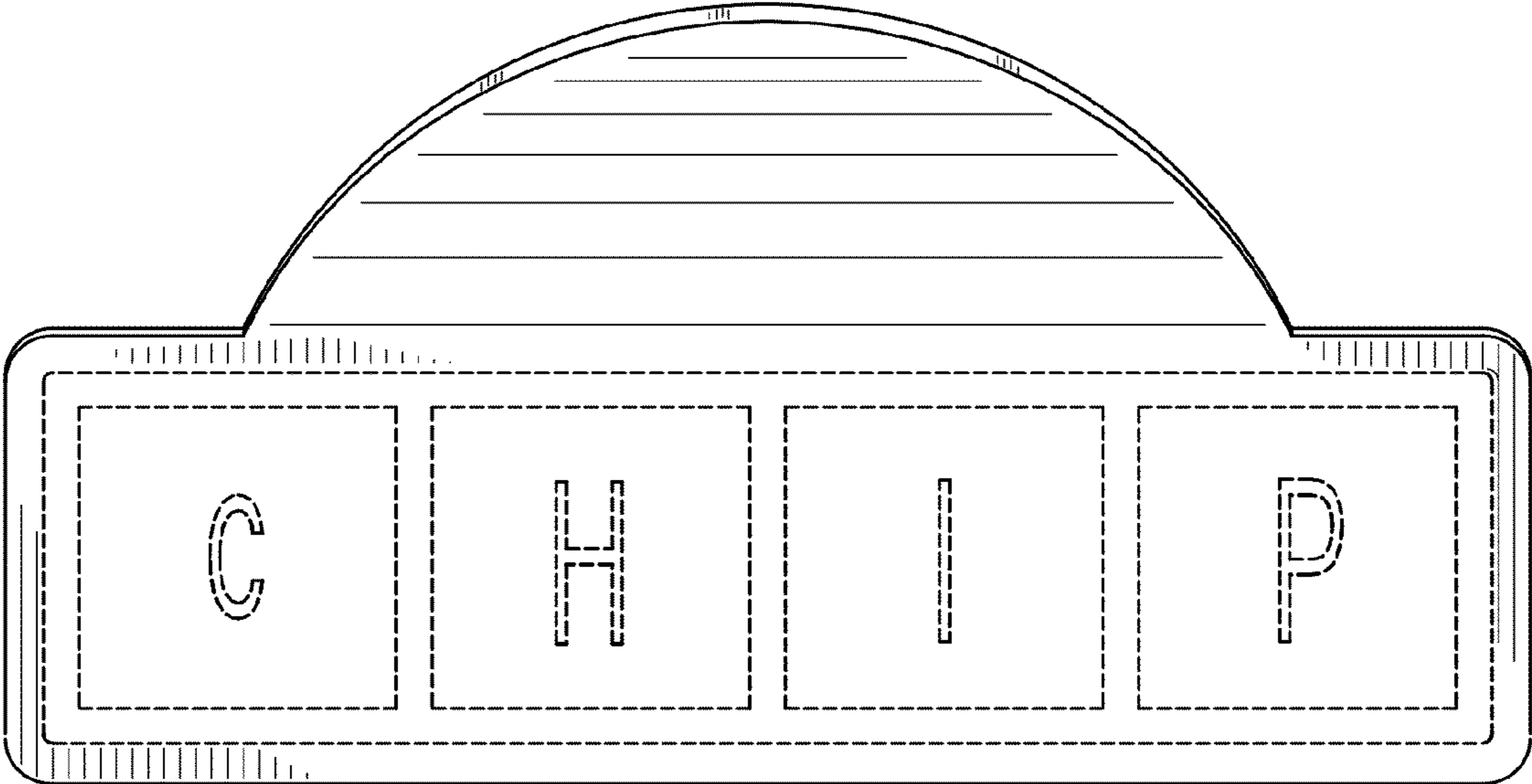


Fig. 8

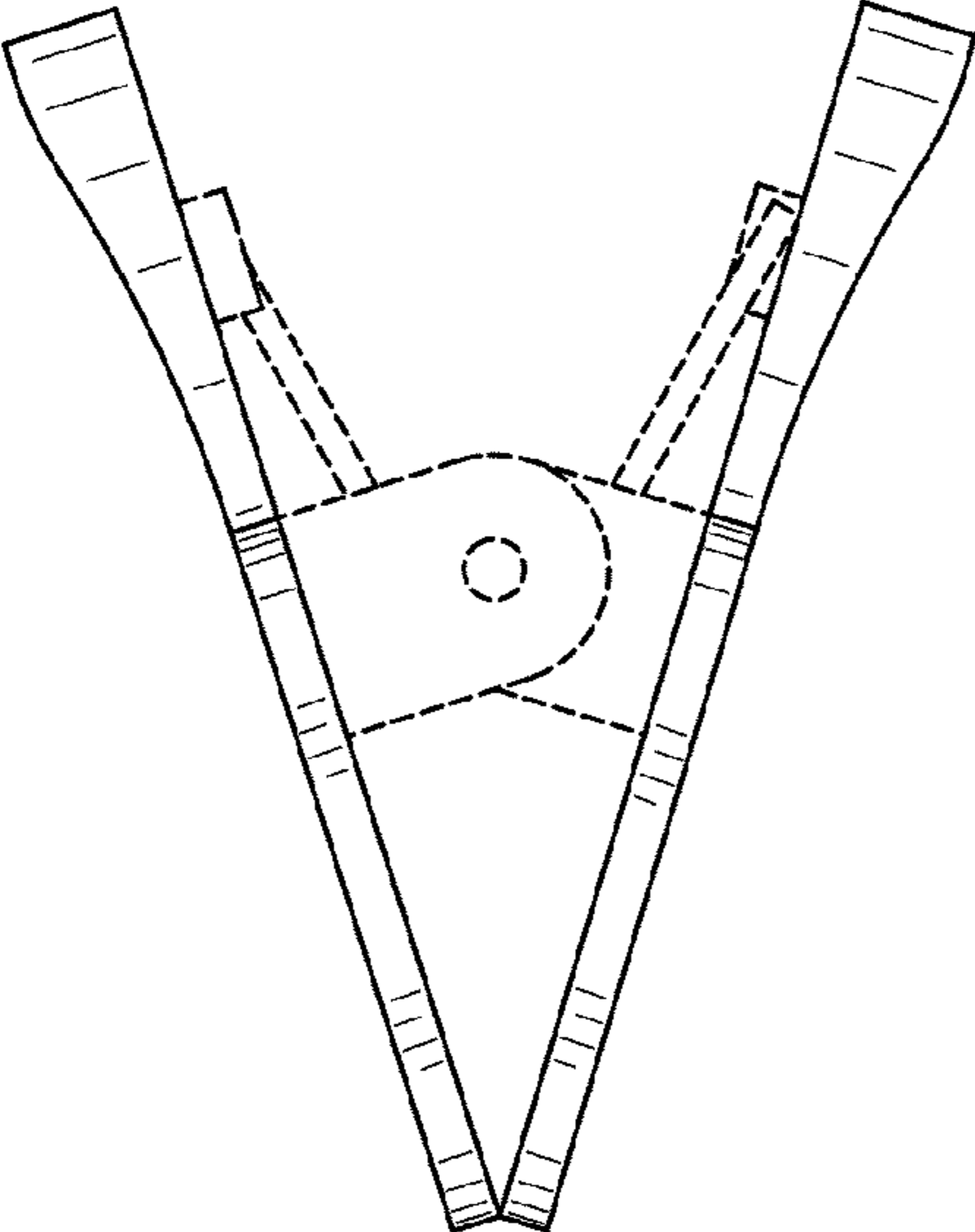


Fig. 9

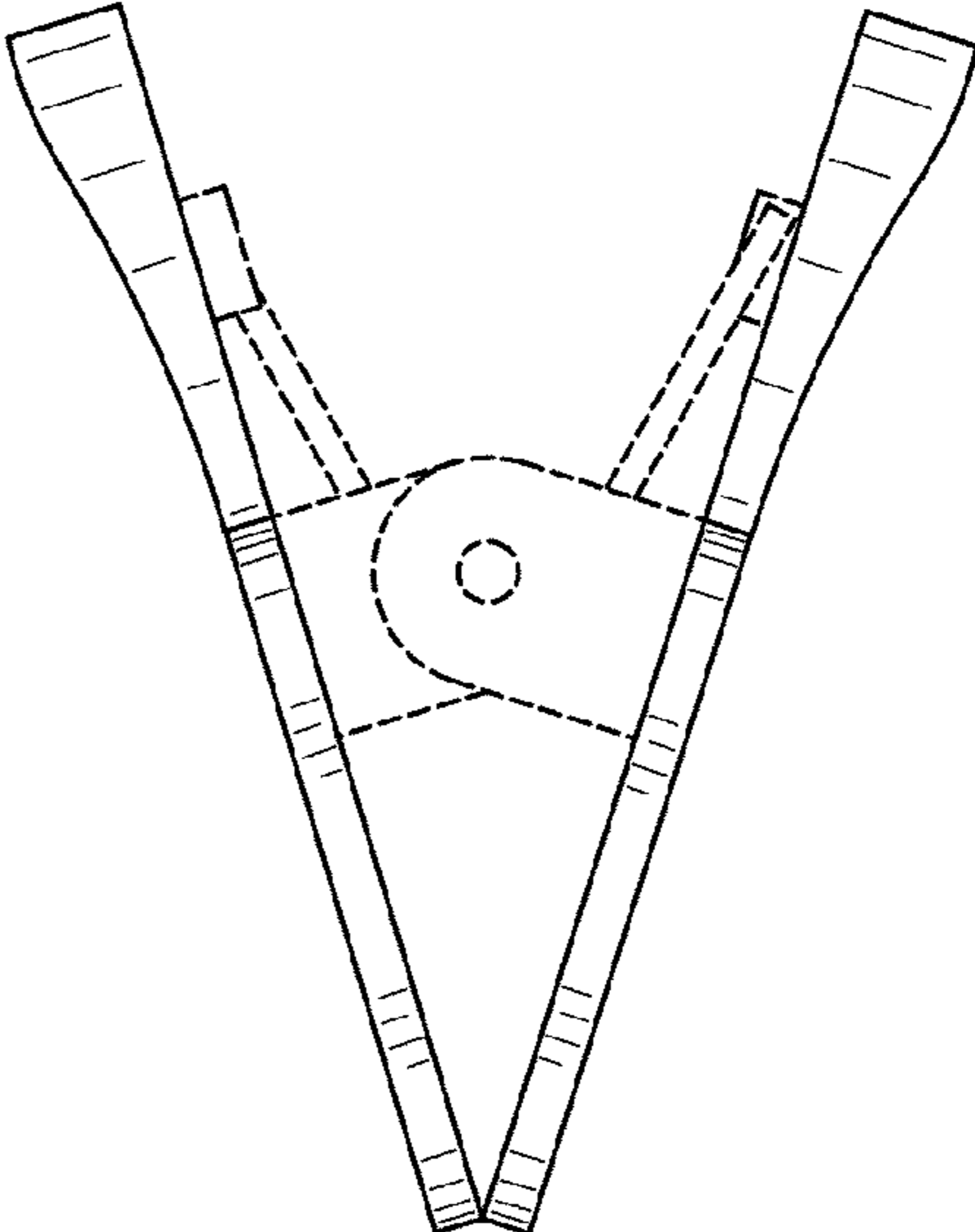
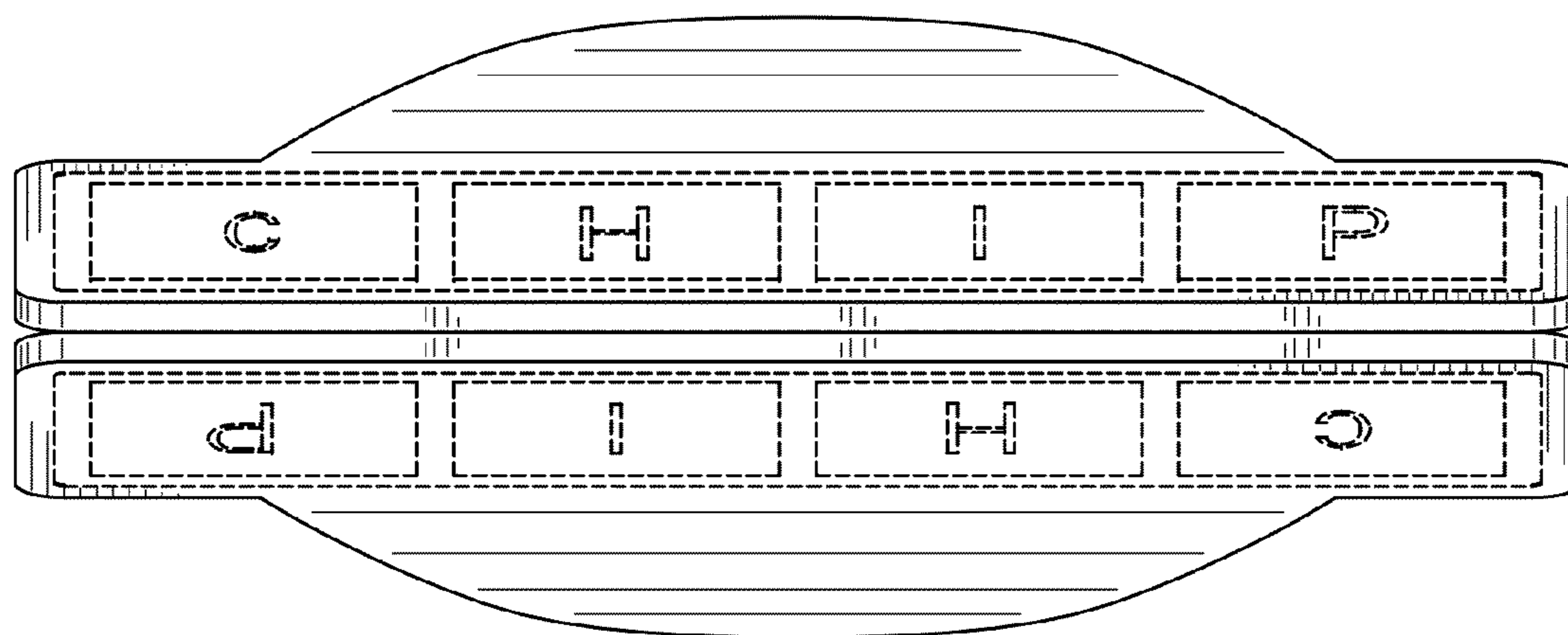
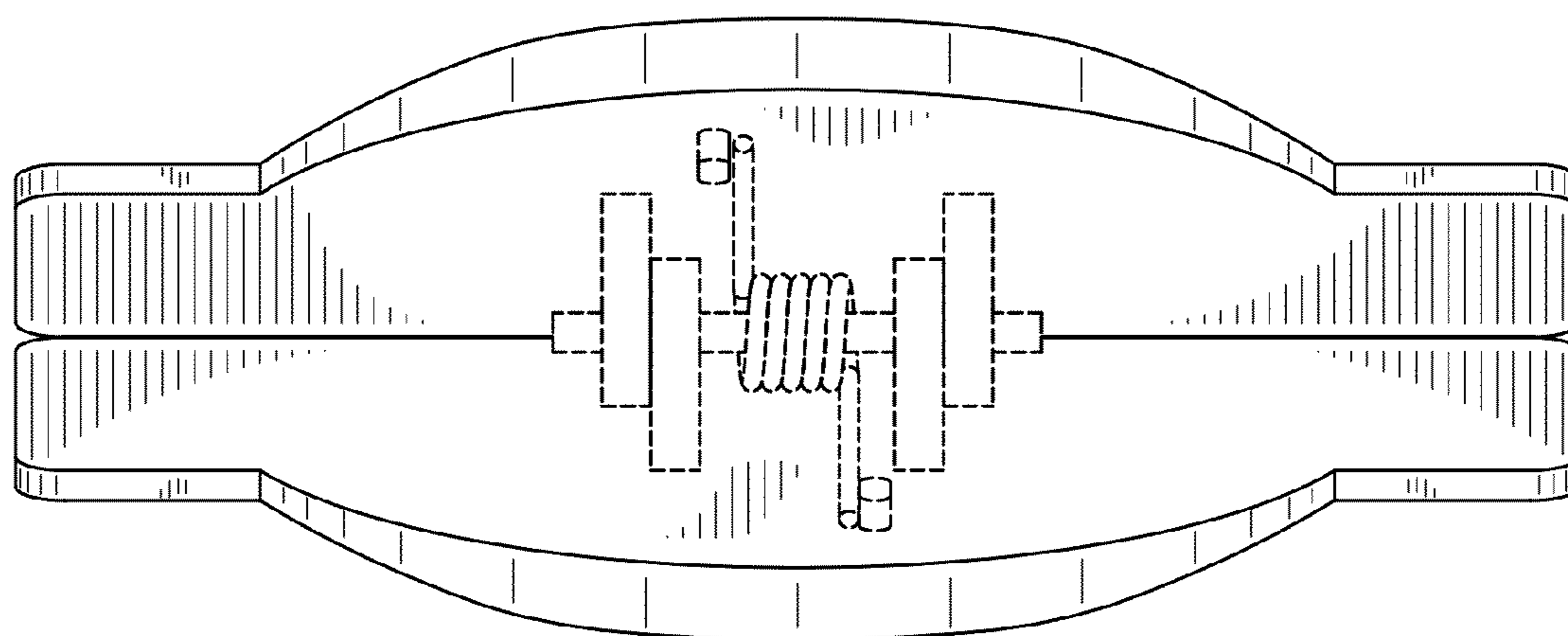


Fig. 10



*Fig. 11*



*Fig. 12*