

US00D693206S

(12) **United States Design Patent**
Mostert

(10) **Patent No.:** **US D693,206 S**

(45) **Date of Patent:** **** Nov. 12, 2013**

(54) **LOCK ASSEMBLY**

(71) Applicant: **Stefan Mostert**, Meerbusch (DE)

(72) Inventor: **Stefan Mostert**, Meerbusch (DE)

(73) Assignee: **EMKA Beschlagteile GmbH & Co.**
KG, Wuppertal (DE)

(**) Term: **14 Years**

(21) Appl. No.: **29/421,776**

(22) Filed: **Sep. 19, 2012**

(30) **Foreign Application Priority Data**

Mar. 30, 2012 (EP) 002018572

(51) **LOC (9) Cl.** **08-07**

(52) **U.S. Cl.**
USPC **D8/350; D8/330**

(58) **Field of Classification Search**
USPC D8/330, 331, 334, 300, 301, 350;
70/14, 20-22, 57, 57.1, 284-286, 314,
70/DIG. 44
See application file for complete search history.

(56) **References Cited**

U.S. PATENT DOCUMENTS

4,873,853 A * 10/1989 Foshee 70/452
6,581,426 B2 * 6/2003 Bates et al. 70/278.7
D479,974 S * 9/2003 Sugimura D8/330

D496,578 S * 9/2004 Gotou et al. D8/330
6,828,519 B2 * 12/2004 Bui et al. 200/341
D513,469 S * 1/2006 Gao et al. D8/350
7,091,429 B2 * 8/2006 Case et al. 200/5 A
D533,762 S * 12/2006 Wright et al. D8/330
D545,172 S * 6/2007 Kaiser et al. D8/331
D569,706 S * 5/2008 Samhammer et al. D8/330
D592,936 S * 5/2009 Douglas et al. D8/350
D595,109 S * 6/2009 Doucet et al. D8/331
D682,659 S * 5/2013 Genord et al. D8/331

* cited by examiner

Primary Examiner — Prabhakar Deshmukh

(74) *Attorney, Agent, or Firm* — Watov & Kipnes, P.C.

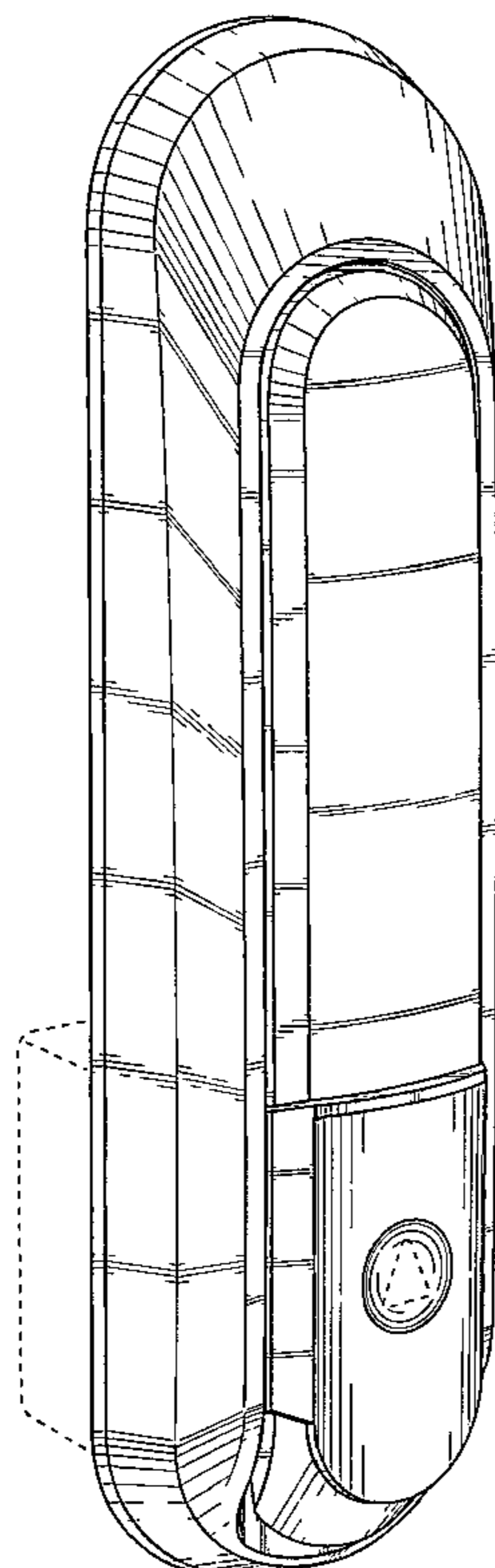
(57) **CLAIM**

The ornamental design for a lock assembly, as shown and described.

DESCRIPTION

FIG. 1 is a perspective view of a lock assembly showing my new design;
FIG. 2 is a left side view of the lock assembly of FIG. 1;
FIG. 3 is a right side view of the lock assembly of FIG. 1;
FIG. 4 is a front view of the lock assembly of FIG. 1;
FIG. 5 is a rear view of the lock assembly of FIG. 1;
FIG. 6 is a top view of the lock assembly of FIG. 1; and,
FIG. 7 is a bottom view of the lock assembly of FIG. 1.
The broken lines showing the remainder of the lock assembly is for illustrative purposes and forms no part of the claimed design.

1 Claim, 4 Drawing Sheets



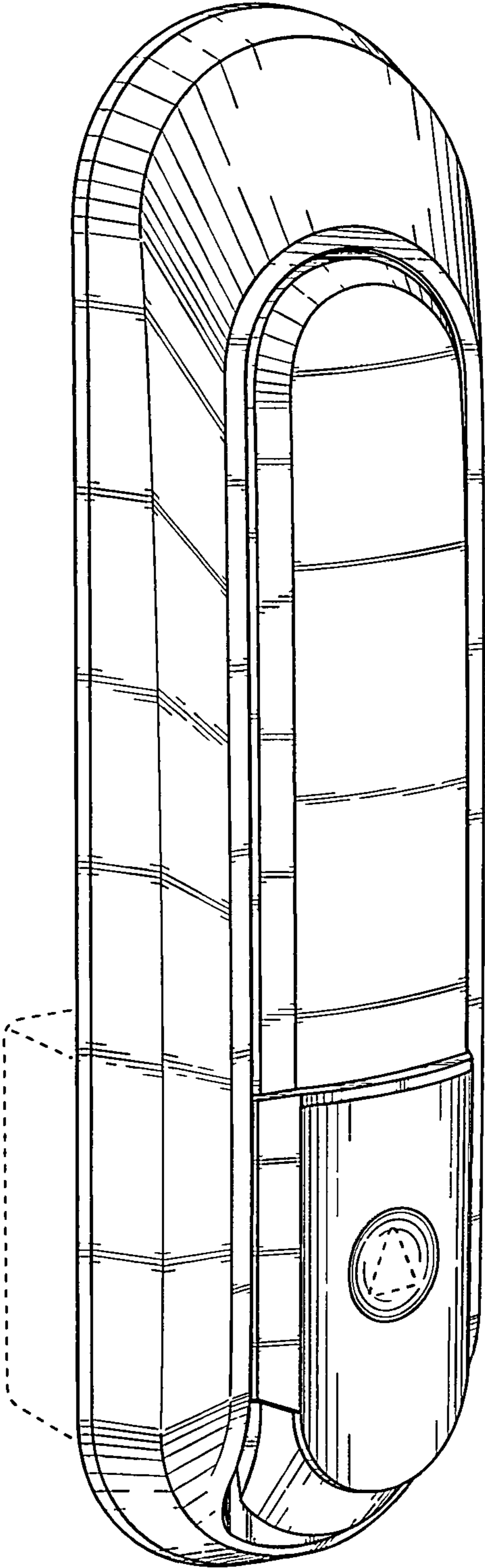


FIG. 1

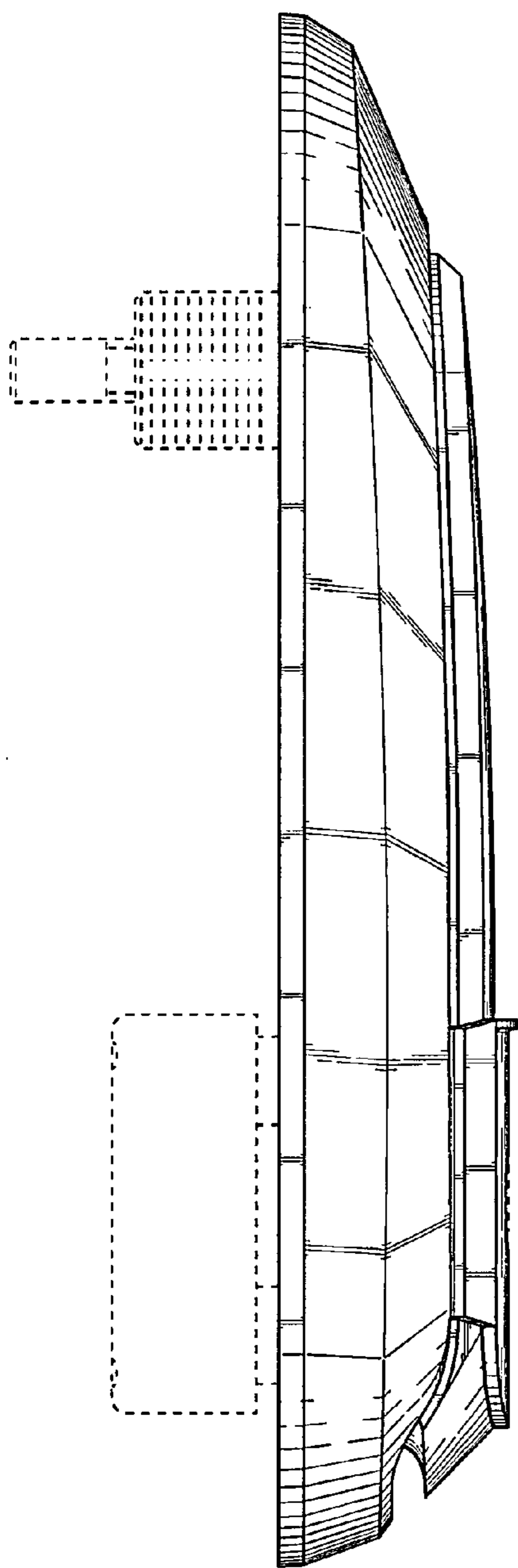


FIG. 2

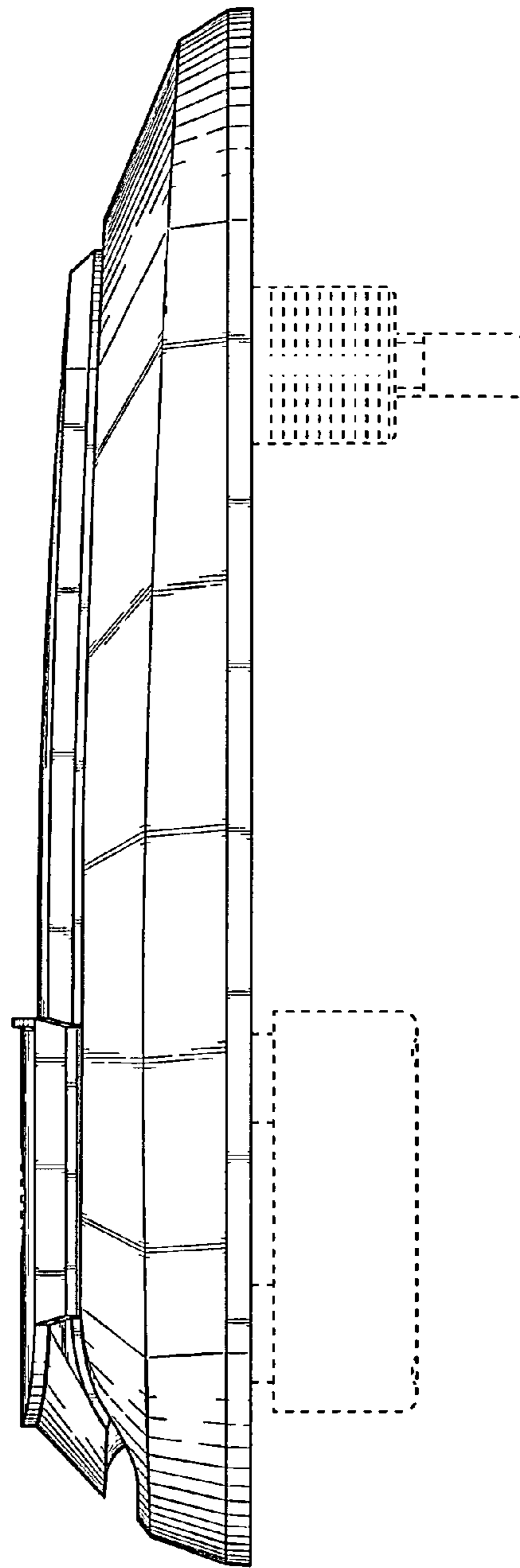


FIG. 3

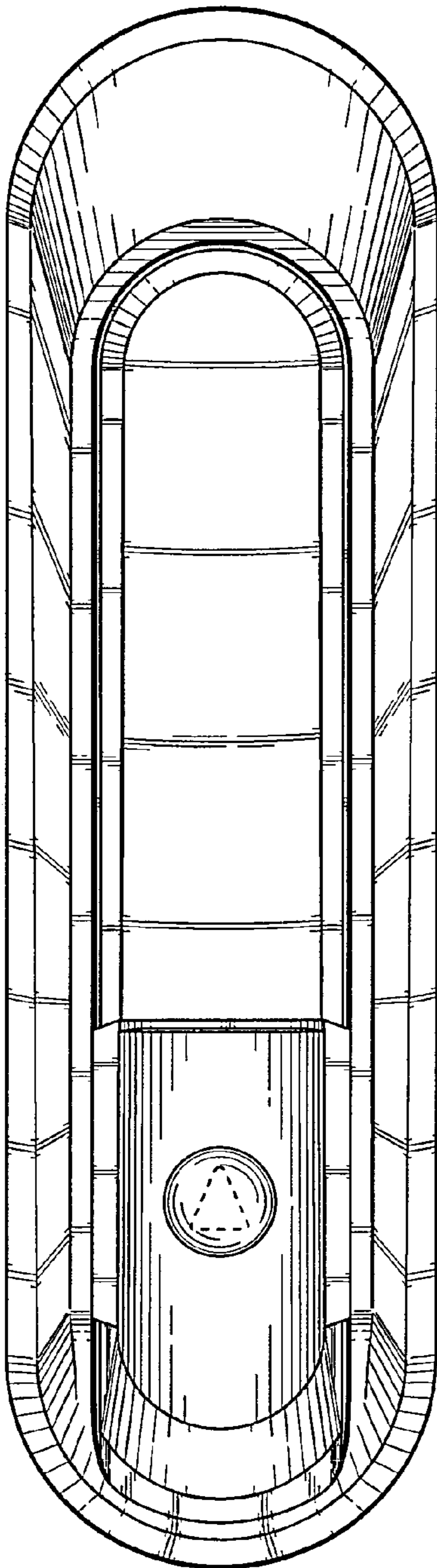


FIG. 4

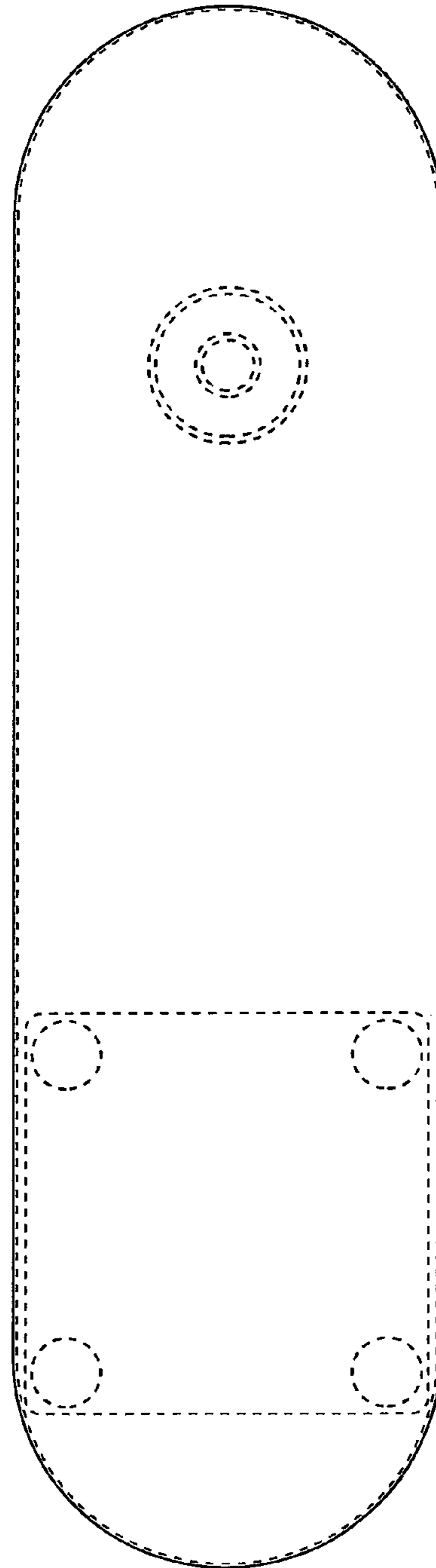


FIG. 5

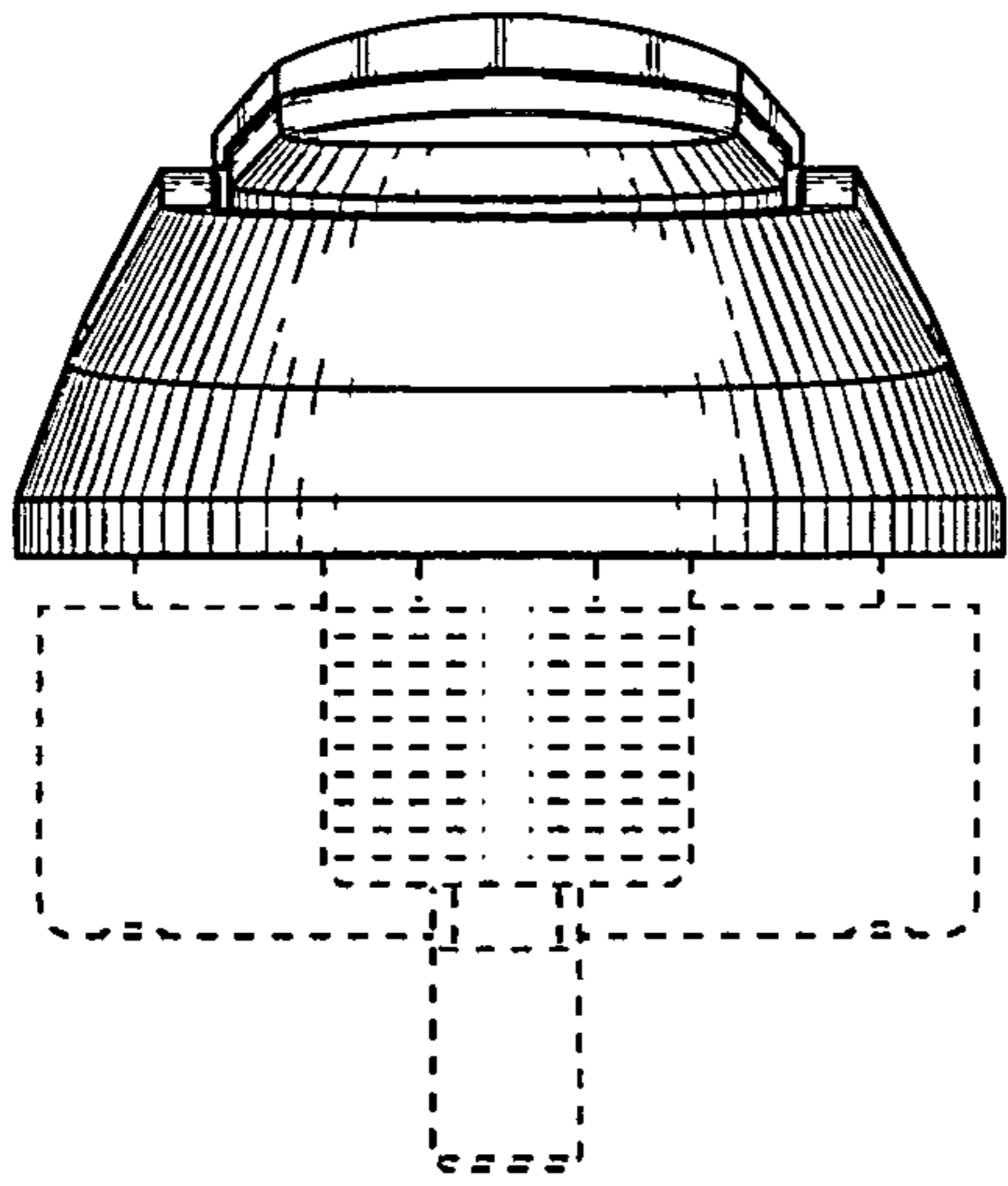


FIG. 6

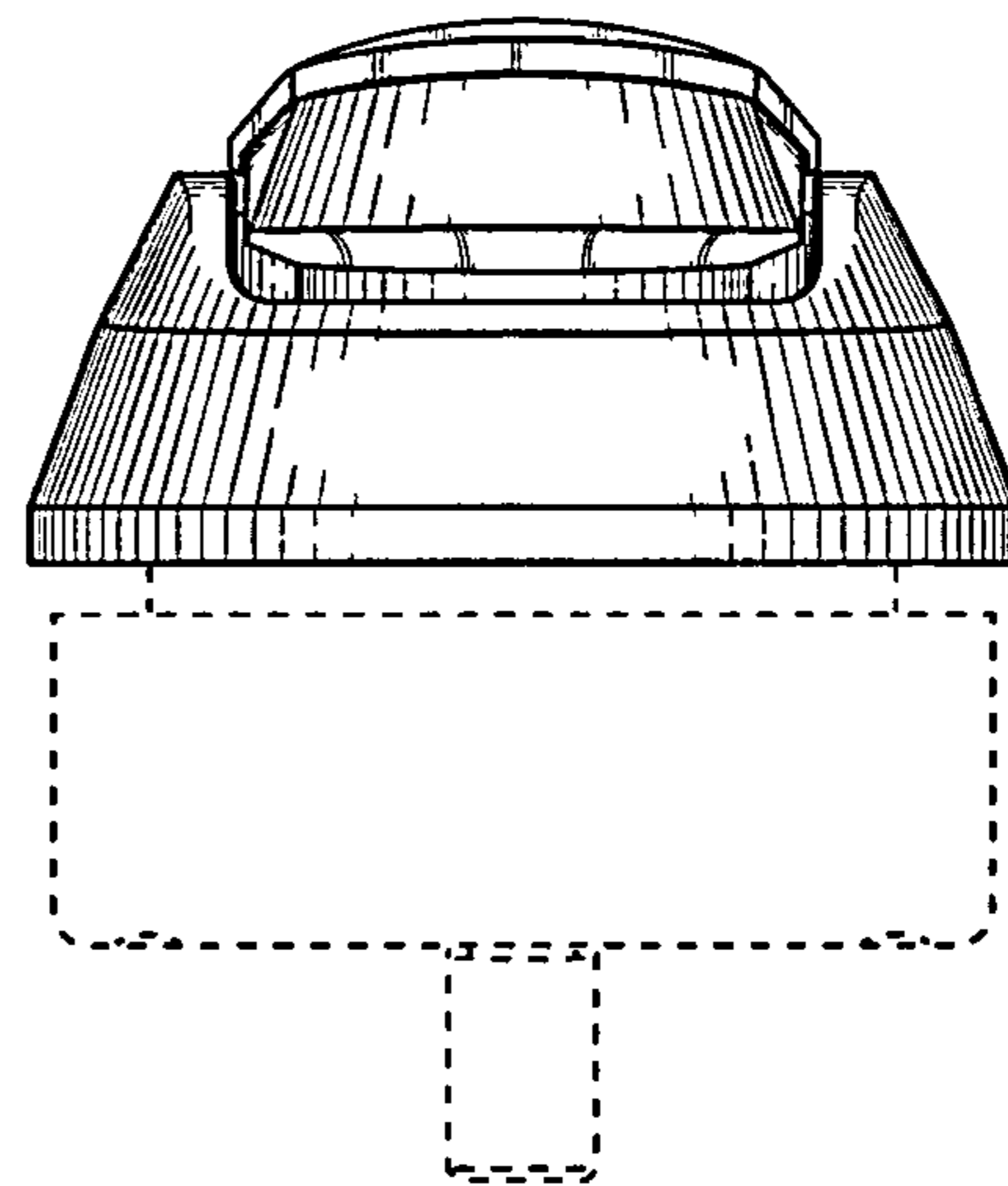


FIG. 7