



US00D693202S

(12) **United States Design Patent**
Berman

(10) **Patent No.:** **US D693,202 S**

(45) **Date of Patent:** **** Nov. 12, 2013**

(54) **KEY TOOL**

(76) Inventor: **Lee Berman**, Bournemouth (GB)

(**) Term: **14 Years**

(21) Appl. No.: **29/381,865**

(22) Filed: **Dec. 23, 2010**

(51) **LOC (9) Cl.** **08-05**

(52) **U.S. Cl.**
USPC **D8/105; D3/210**

(58) **Field of Classification Search**
USPC D8/16, 18, 33, 34, 87, 105, 347;
D3/210; 30/157, 399; 70/456
See application file for complete search history.

(56) **References Cited**

U.S. PATENT DOCUMENTS

1,529,420	A *	3/1925	Bowers	7/155
1,974,547	A *	9/1934	Slade	70/456 R
D311,642	S *	10/1990	MacDonald	D3/210
D311,643	S *	10/1990	MacDonald	D3/210
D405,603	S *	2/1999	Tenny	D3/210
D452,037	S *	12/2001	Smith	D27/143
D528,880	S *	9/2006	Belflower	D8/16
7,650,770	B2 *	1/2010	Maxwell	70/408
D624,376	S *	9/2010	Wysopal	D8/34
D661,084	S *	6/2012	Rubin et al.	D3/210

FOREIGN PATENT DOCUMENTS

EP 2 025 257 A2 2/2009

OTHER PUBLICATIONS

Turn Any Key Into A Multifunction Tool with Key Tool and Shackle Set, reviewed Mar. 29, 2010, [online], [site visited Nov. 15, 2012]. Available from Internet, <URL: <http://www.gadgetreview.com/2010/03/turn-any-key-into-a-multifunction-tool-with-key-tool-and-shackle-set.html>>.*

10-in-1 Utili-Key Transforms Door Key into Handy Multitool, published Apr. 12, 2012, [online], [site visited Nov. 15, 2012]. Available from Internet, <URL: <http://dsc.discovery.com/gear-gadgets/10-in-1-utili-key-transforms-door-key-into-handy-multitool-photos.html>>.*

* cited by examiner

Primary Examiner — Robert M. Spear

Assistant Examiner — Janice Hallmark

(74) *Attorney, Agent, or Firm* — Ladas & Parry LLP

(57) **CLAIM**

I claim the ornamental design for a key tool, as shown and described.

DESCRIPTION

FIG. 1 is a perspective view showing a first embodiment of the key tool;

FIG. 2 is a left side elevational view thereof.

FIG. 3 is a right side elevational view thereof.

FIG. 4 is a top plan view thereof.

FIG. 5 is a bottom plan view thereof.

FIG. 6 is a front elevational view thereof.

FIG. 7 is a rear elevational view thereof.

FIG. 8 is a further left side elevational view of the first embodiment of the key tool with the key shown positioned for manipulating the key tool.

FIG. 9 is a perspective view showing a second embodiment of the key tool.

FIG. 10 is a left side elevational view thereof.

FIG. 11 is a right side elevational view thereof.

FIG. 12 is a top plan view thereof.

FIG. 13 is a bottom plan view thereof.

FIG. 14 is a front elevational view thereof.

FIG. 15 is a rear elevational view thereof.

FIG. 16 is a further left side elevational view of the second embodiment of the key tool with the key shown positioned for manipulating the key tool.

FIG. 17 is a perspective view showing a third embodiment of the key tool.

FIG. 18 is a left side elevational view thereof.

FIG. 19 is a right side elevational view thereof.

FIG. 20 is a top plan view thereof.

FIG. 21 is a bottom plan view thereof.

FIG. 22 is a front elevational view thereof.

FIG. 23 is a rear elevational view thereof.

FIG. 24 is a further left side elevational view of the third embodiment of the key tool with the key shown positioned for manipulating the key tool.

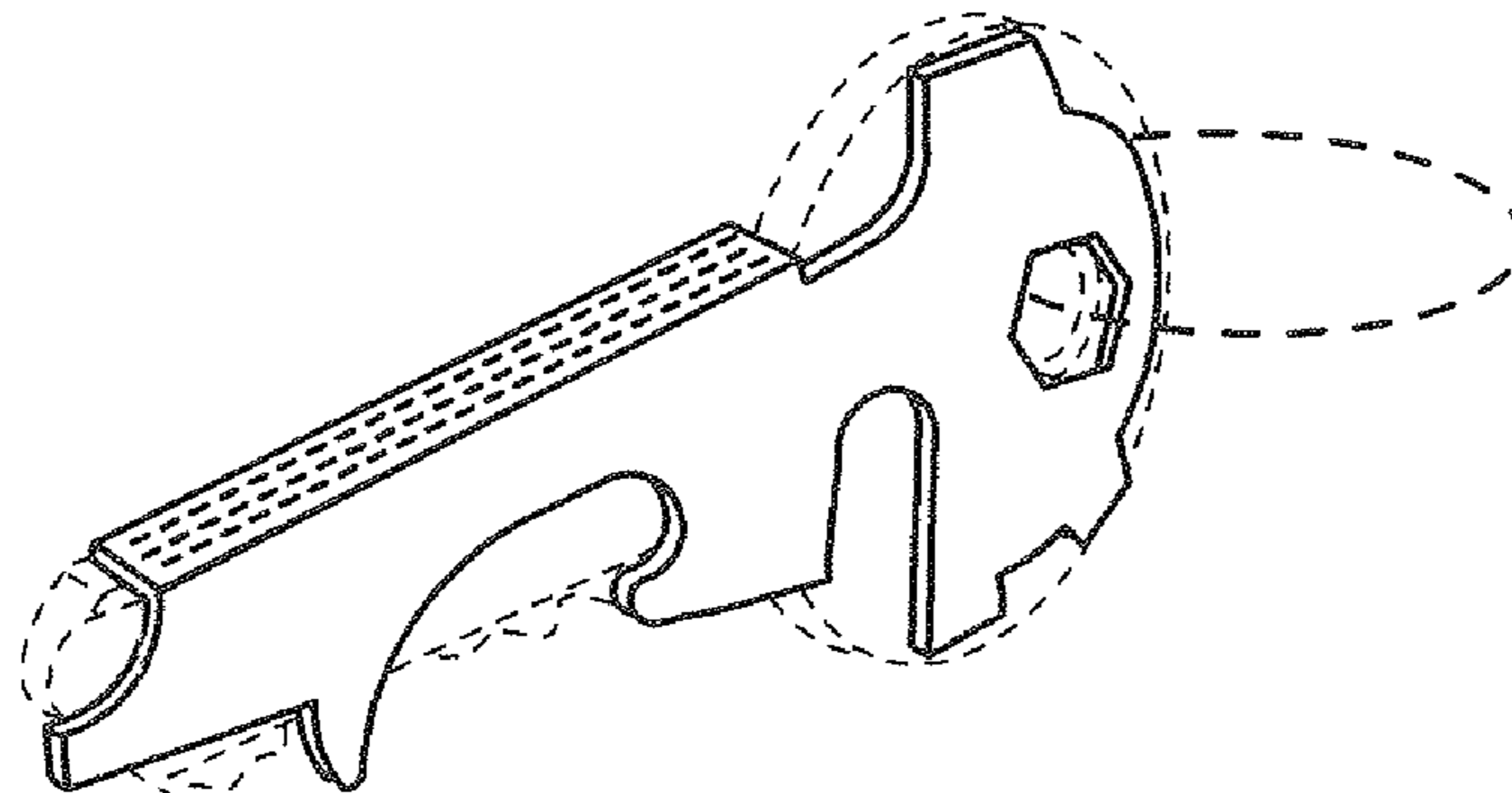


FIG. 25 is a perspective view showing a fourth embodiment of the key tool.

FIG. 26 is a left side elevational view thereof.

FIG. 27 is a right side elevational view thereof.

FIG. 28 is a top plan view thereof.

FIG. 29 is a bottom plan view thereof.

FIG. 30 is a front elevational view thereof.

FIG. 31 is a rear elevational view thereof.

FIG. 32 is a further left side elevational view of the fourth embodiment of the key tool with the key shown positioned for manipulating the key tool.

FIG. 33 is a perspective view showing a fifth embodiment of the key tool.

FIG. 34 is a left side elevational view thereof.

FIG. 35 is a right side elevational view thereof.

FIG. 36 is a top plan view thereof.

FIG. 37 is a bottom plan view thereof.

FIG. 38 is a front elevational view thereof.

FIG. 39 is a rear elevational view thereof.

FIG. 40 is a further left side elevational view of the fifth embodiment of the key tool with the key shown positioned for manipulating the key tool.

FIG. 41 is a perspective view showing a sixth embodiment of the key tool.

FIG. 42 is a left side elevational view thereof.

FIG. 43 is a right side elevational view thereof.

FIG. 44 is a top plan view thereof.

FIG. 45 is a bottom plan view thereof.

FIG. 46 is a front elevational view thereof.

FIG. 47 is a rear elevational view thereof; and,

FIG. 48 is a further left side elevational view of the sixth embodiment of the key tool with the key shown positioned for manipulating the key tool.

The writing shown on FIGS. 25-48 are two-dimensional indicia.

The broken line showing of environment is included for the purpose of illustrating portions of the key tool and form no part of the claimed design.

1 Claim, 6 Drawing Sheets

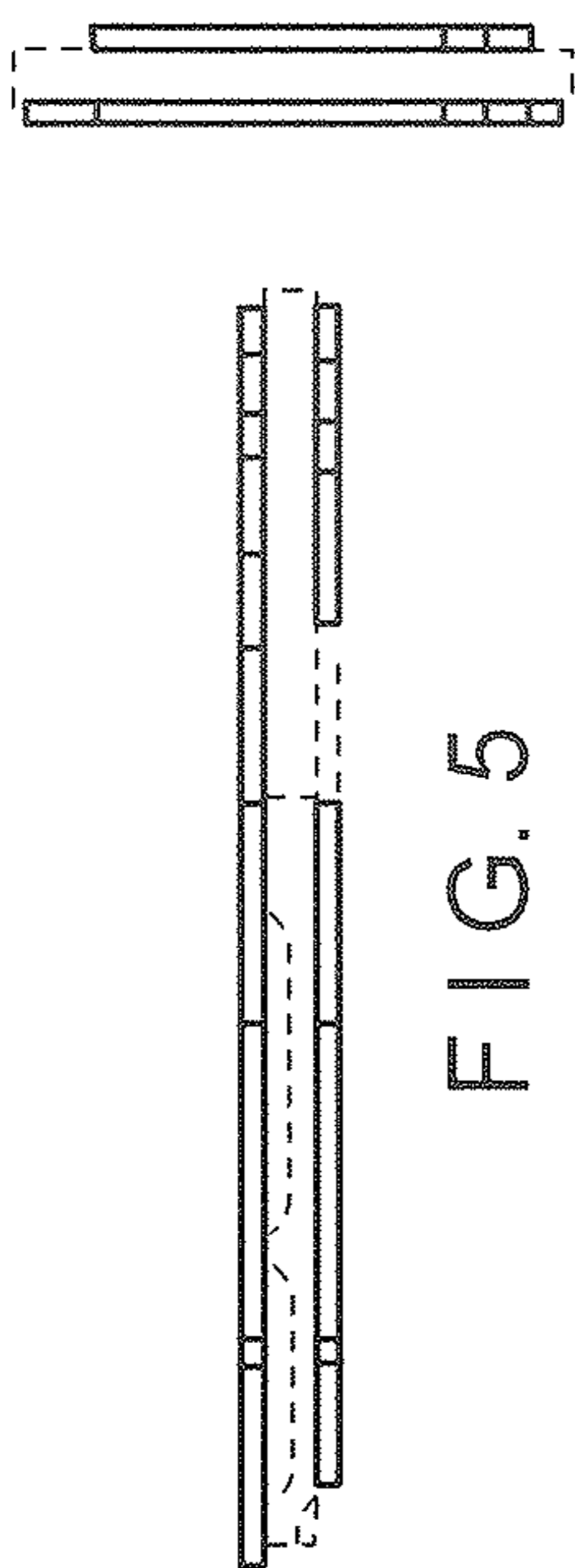


FIG. 5

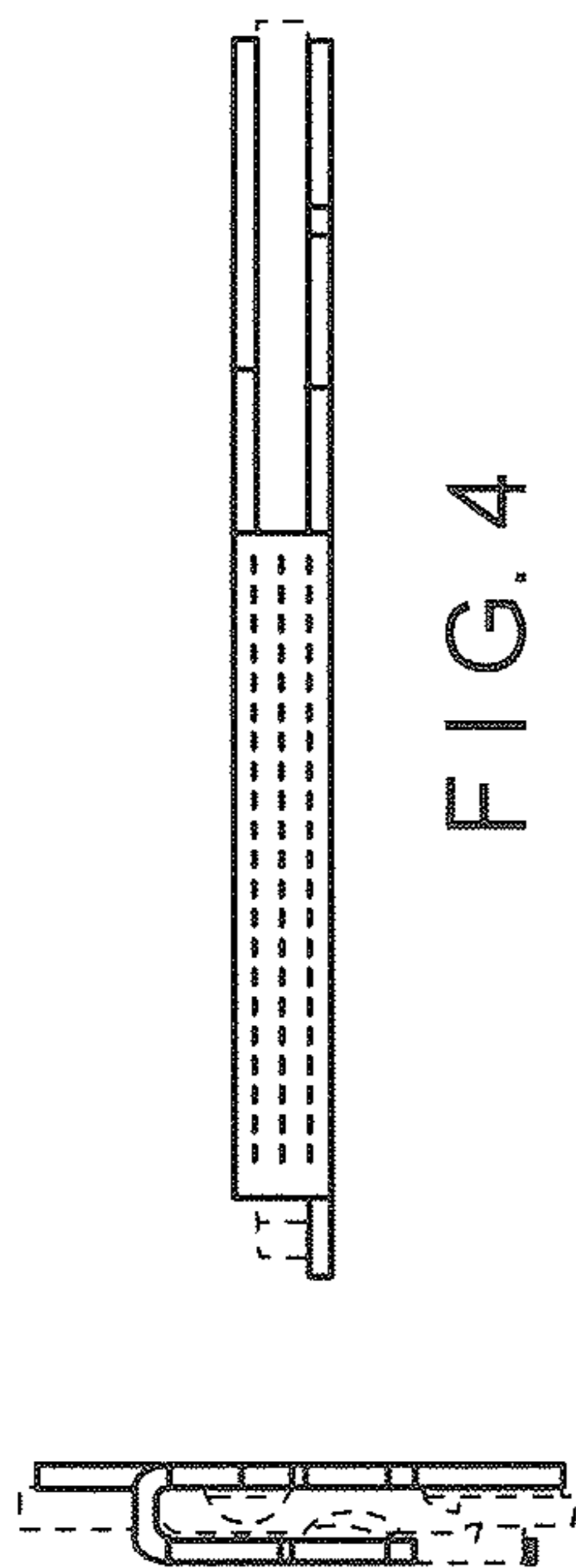


FIG. 4



FIG. 6

FIG. 7

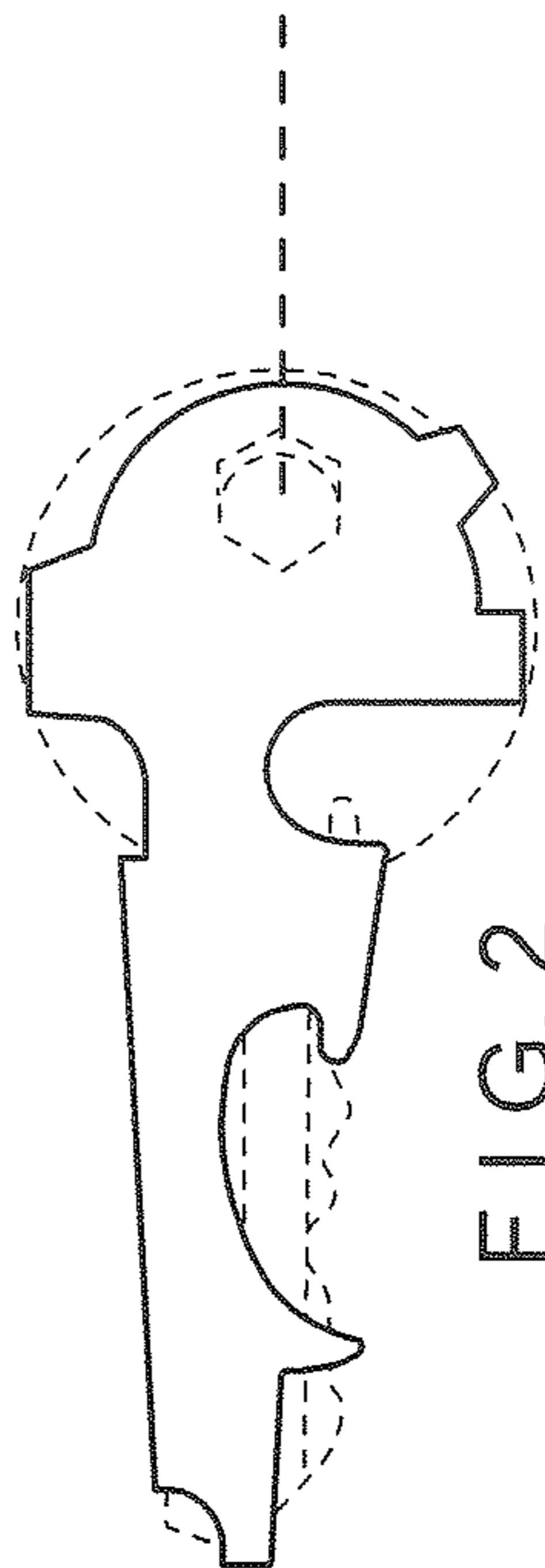


FIG. 2

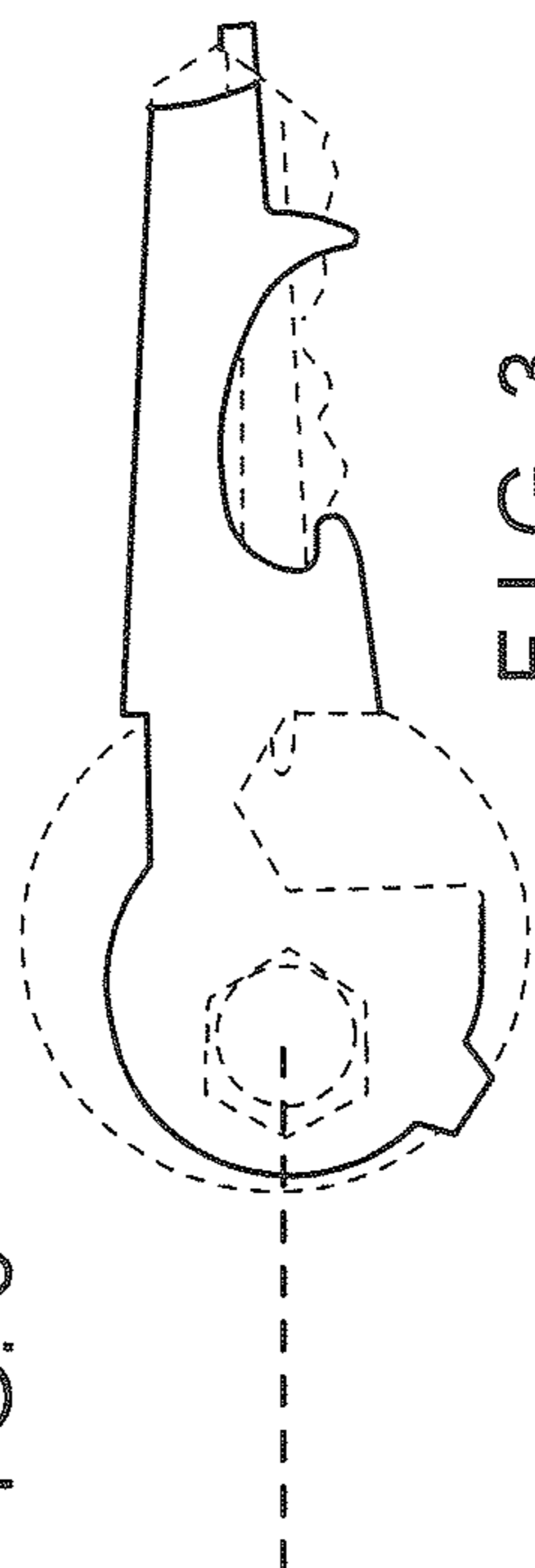


FIG. 3

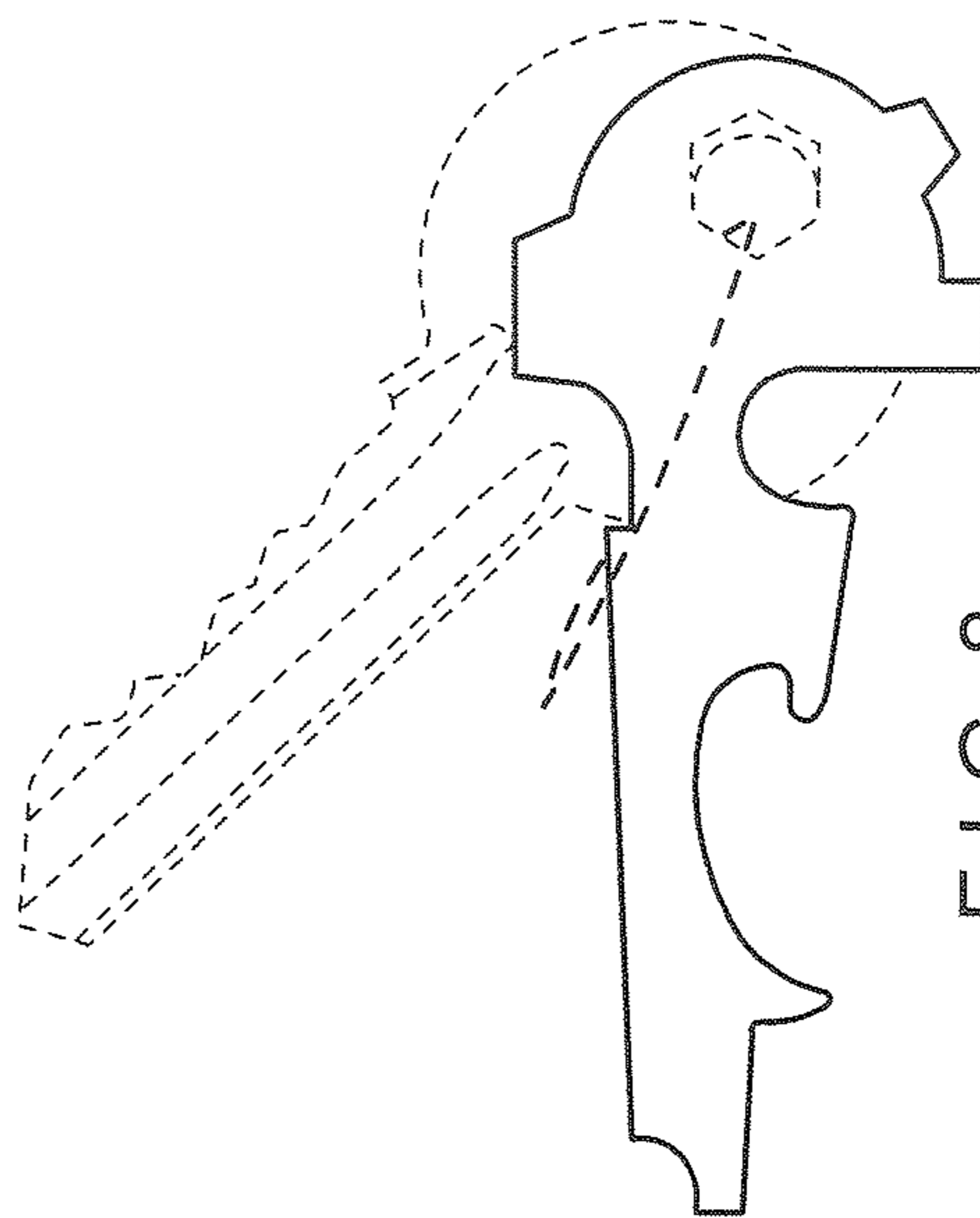


FIG. 8

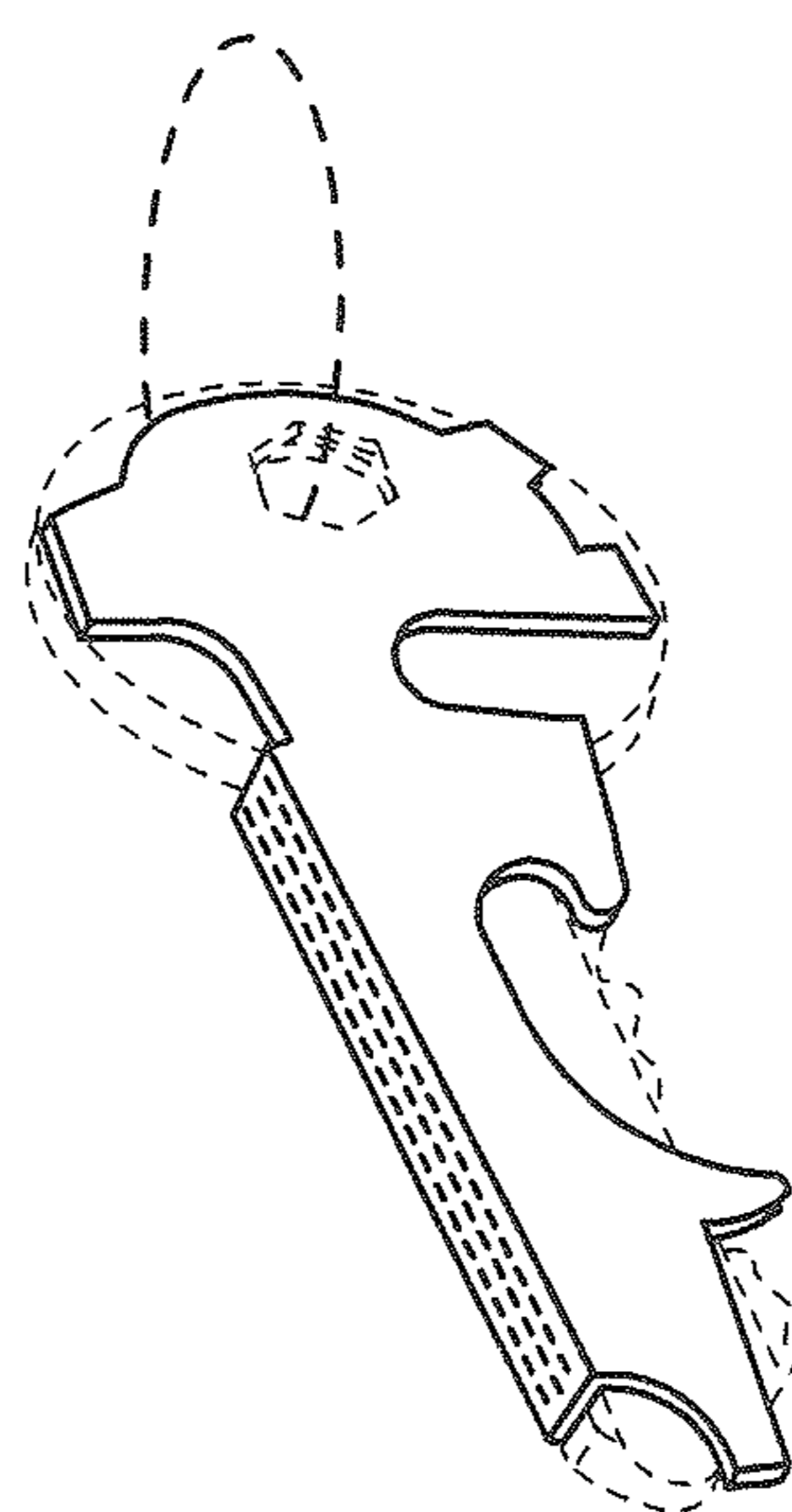


FIG. 1

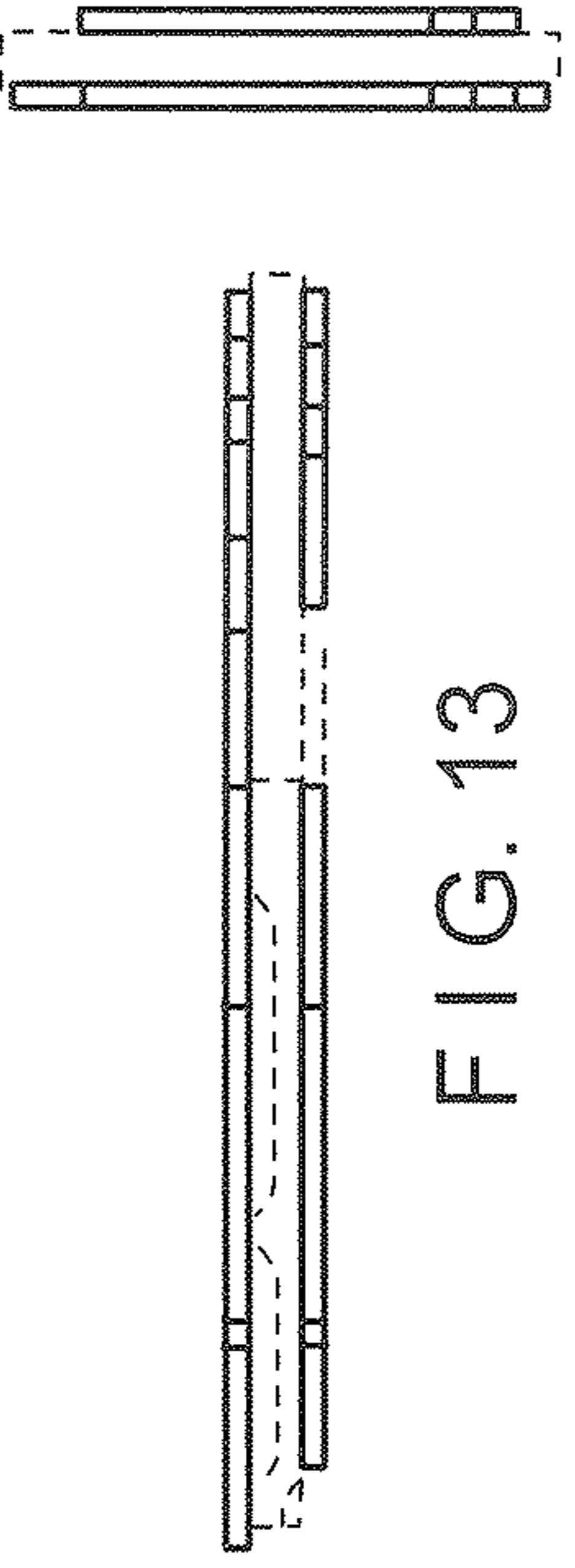


FIG. 13

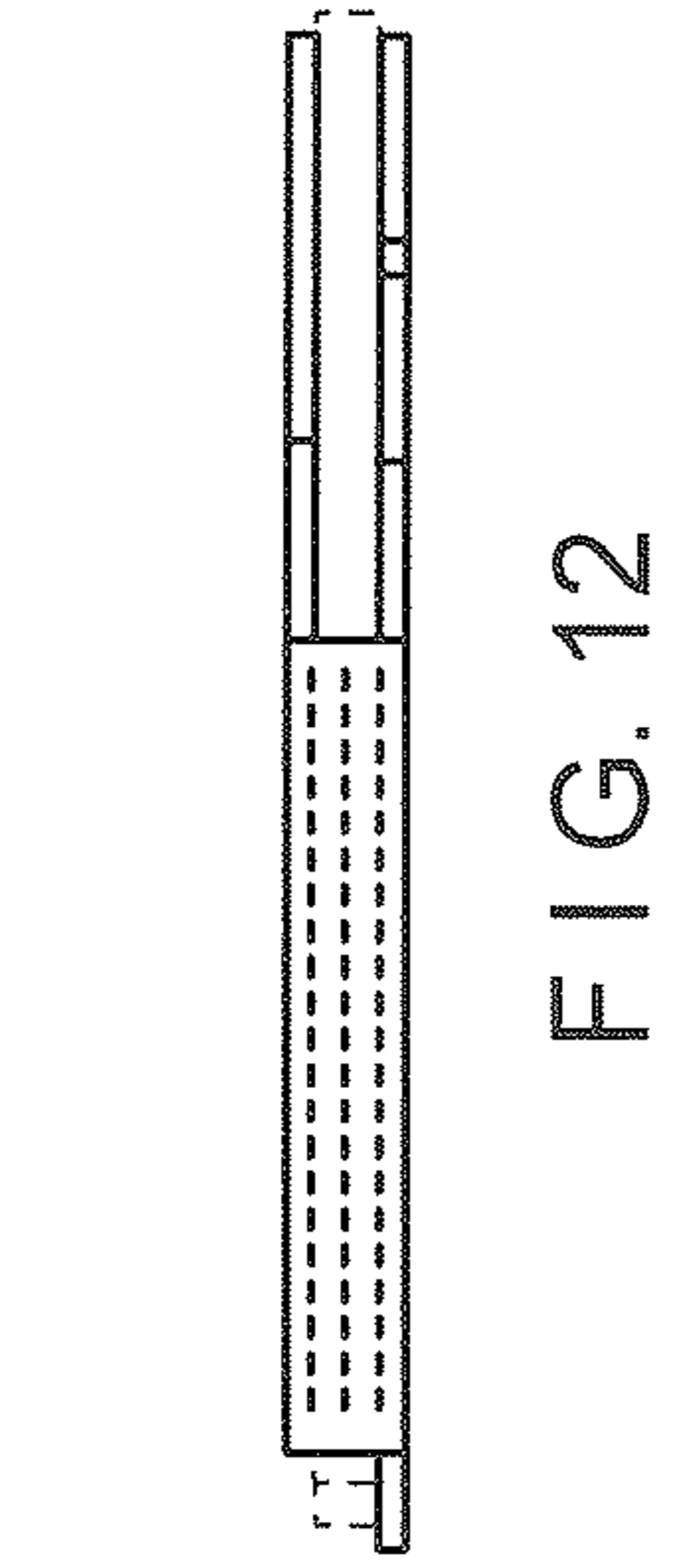


FIG. 12



FIG. 14

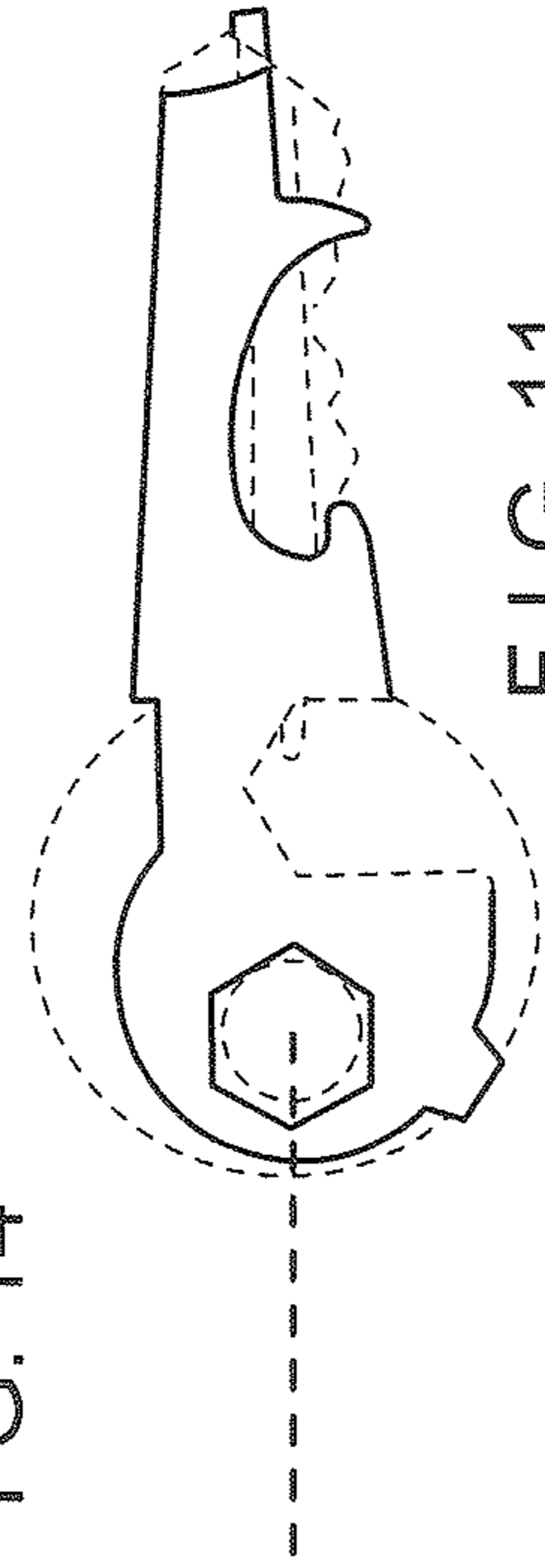


FIG. 11

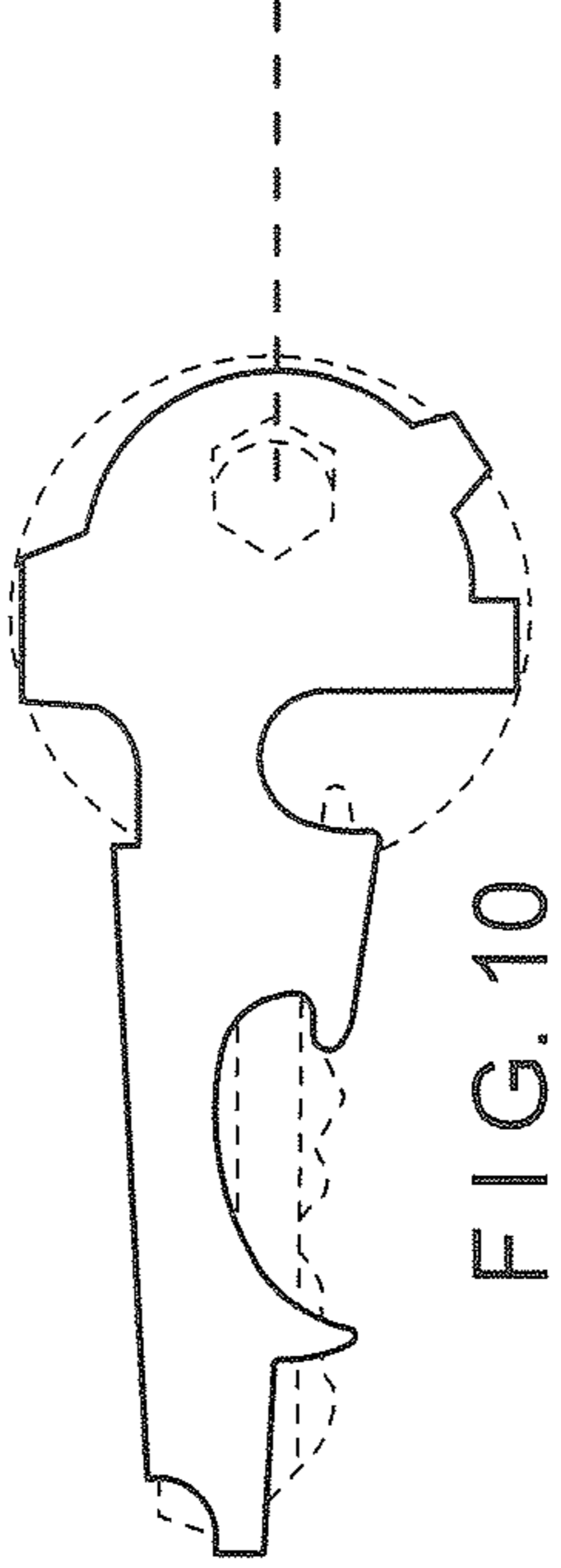


FIG. 10

FIG. 15

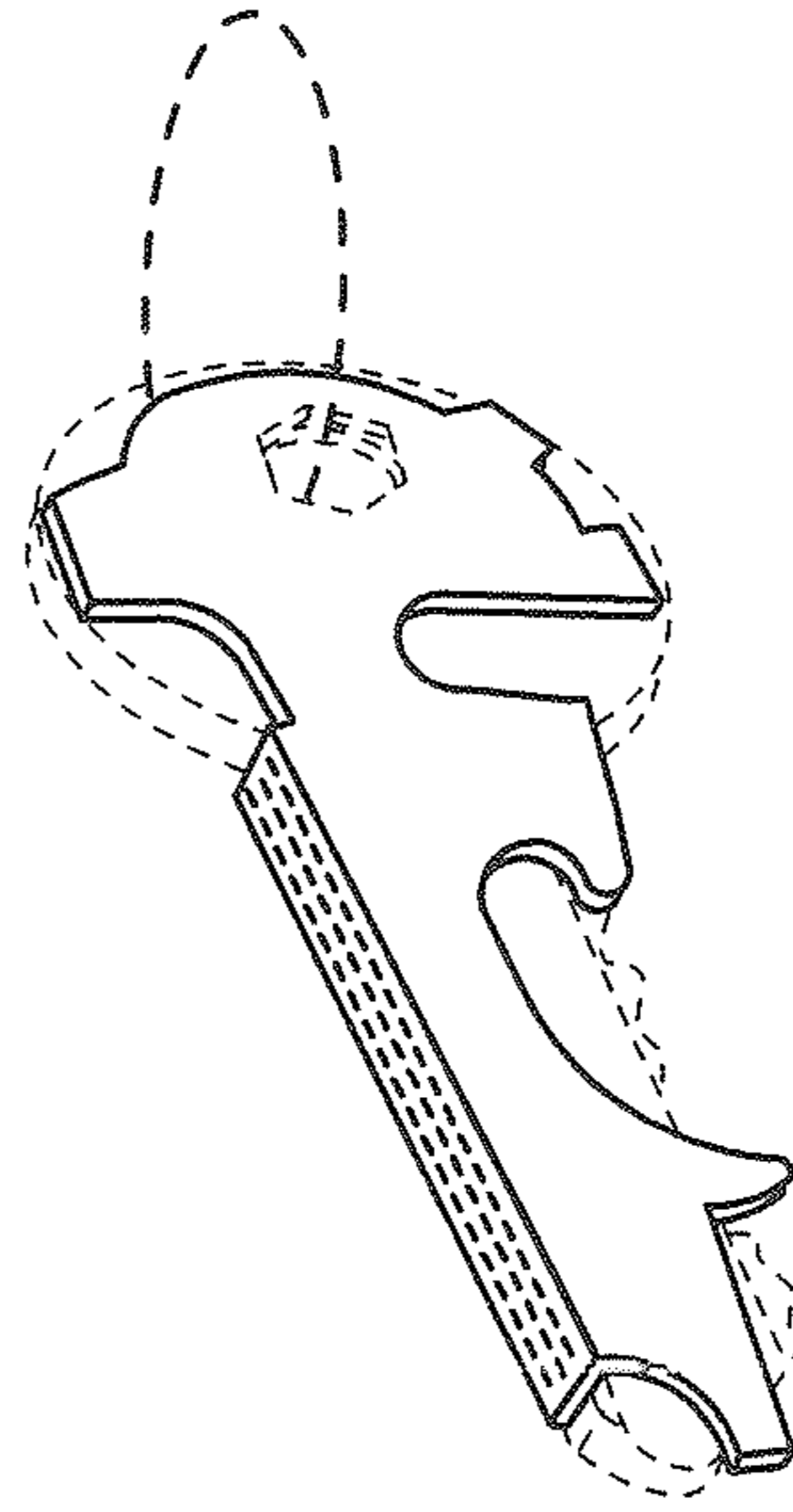


FIG. 9

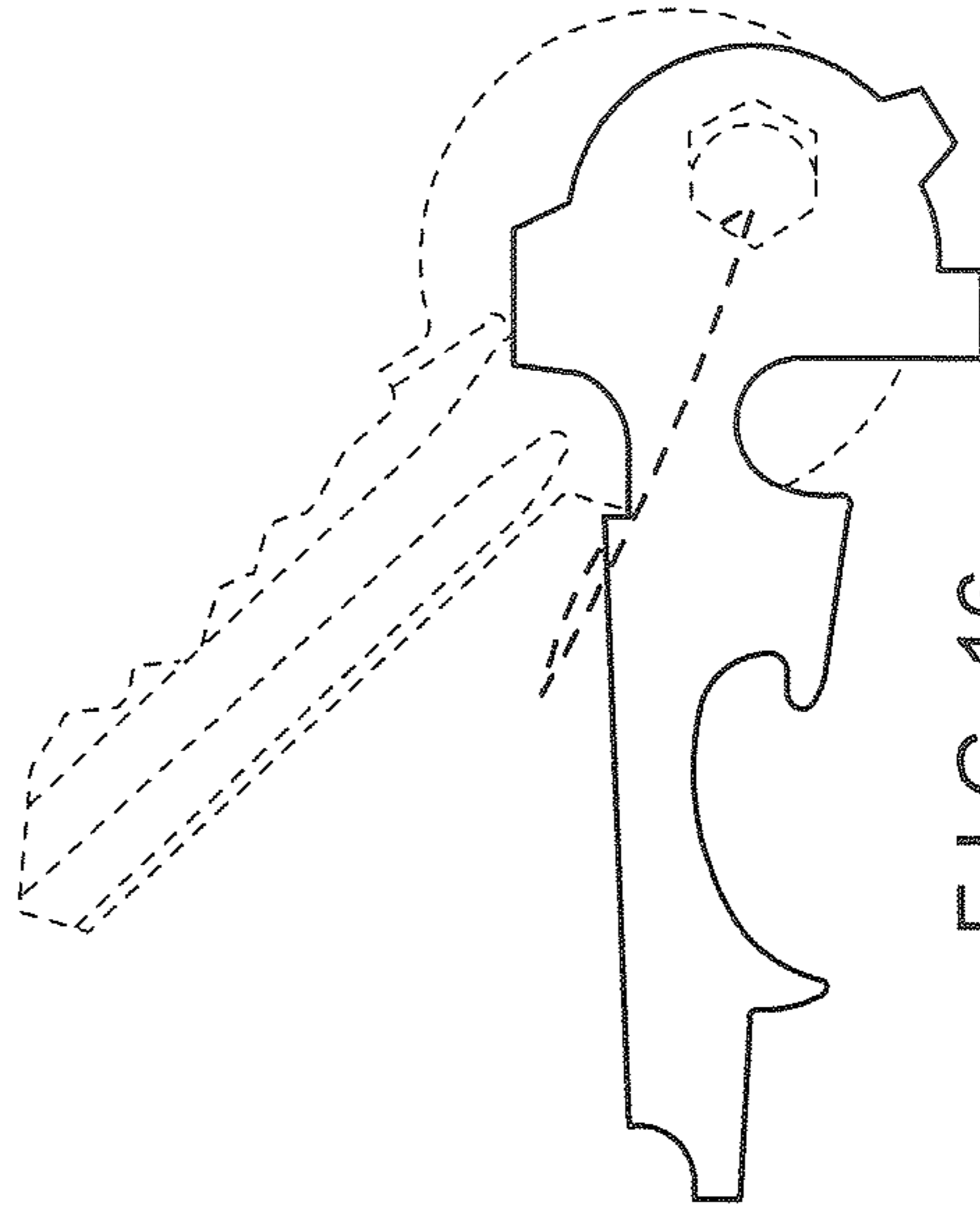


FIG. 16

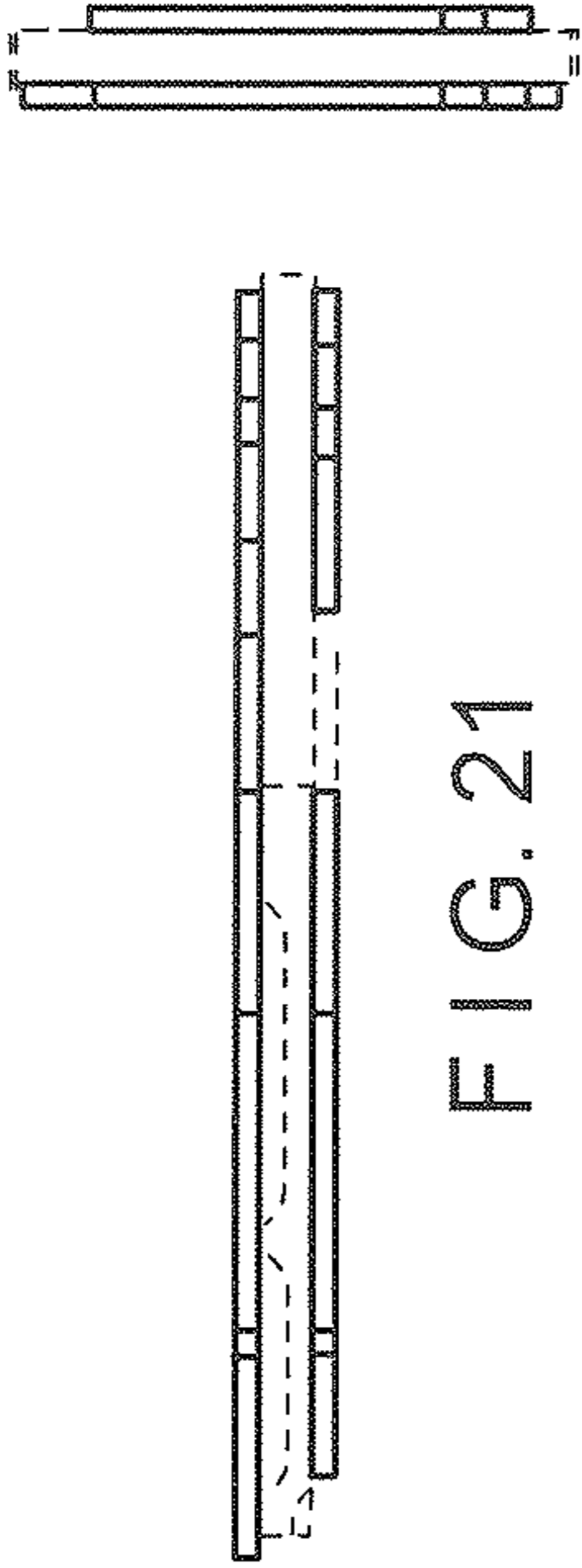


FIG. 21

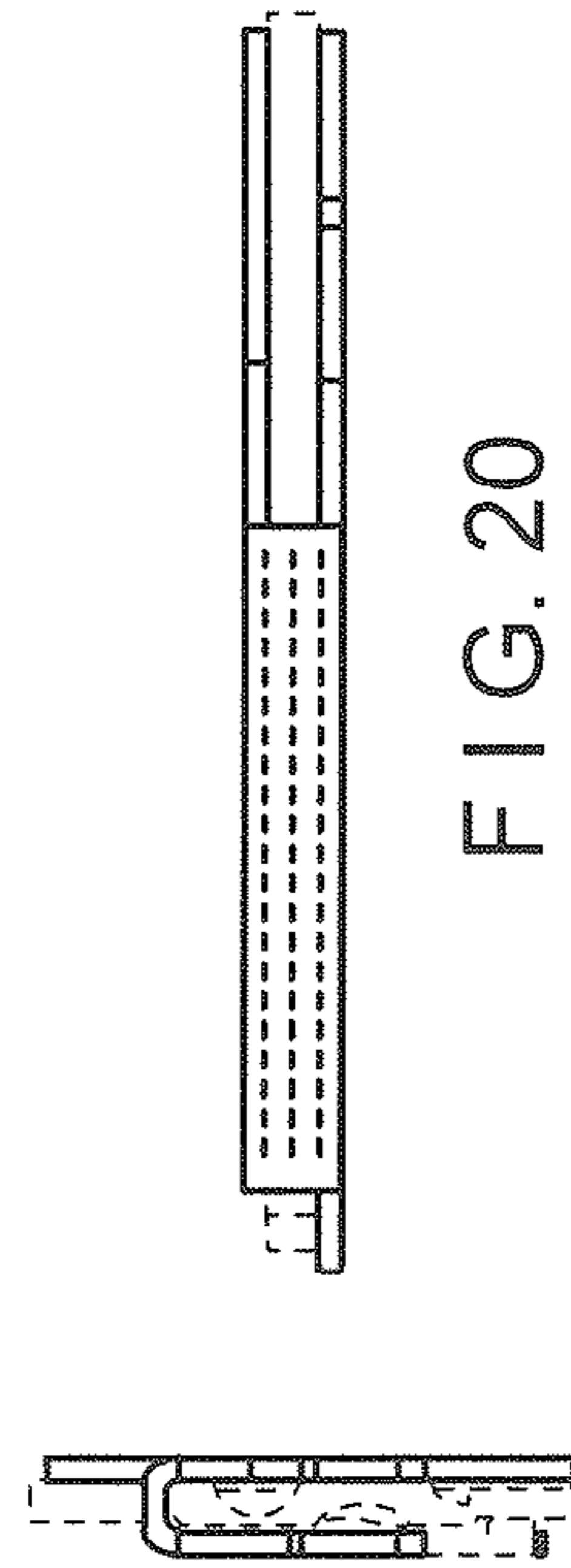


FIG. 20

FIG. 23

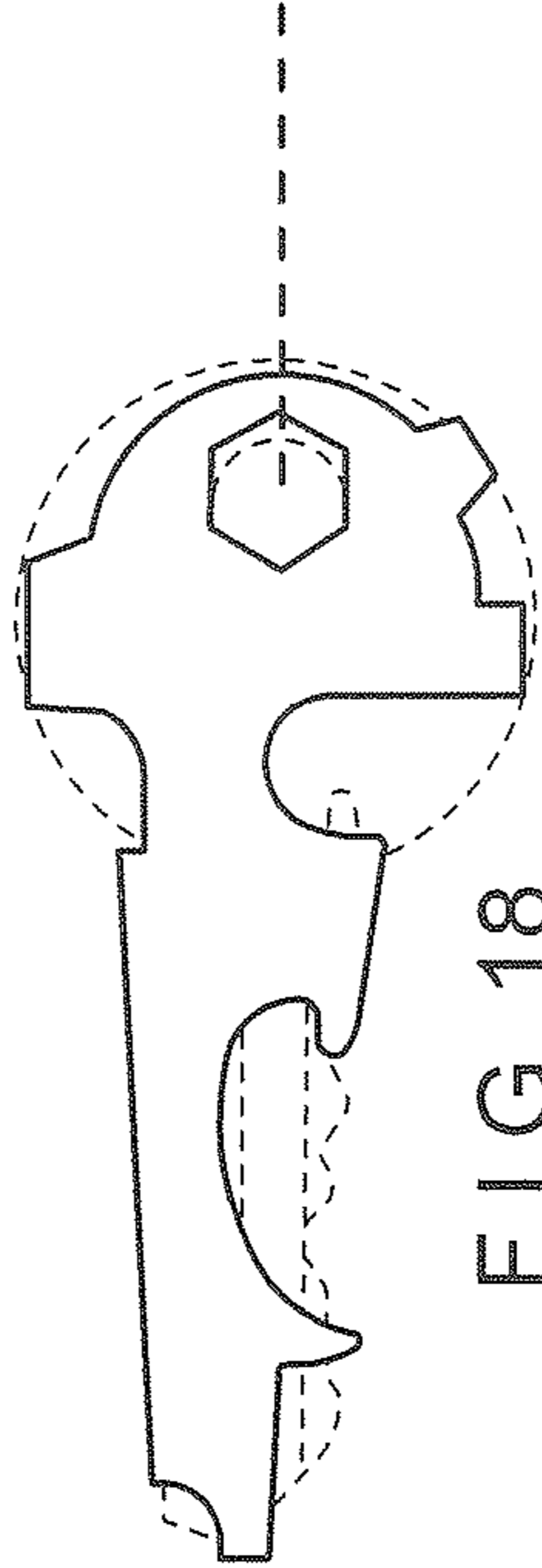


FIG. 18

FIG. 22

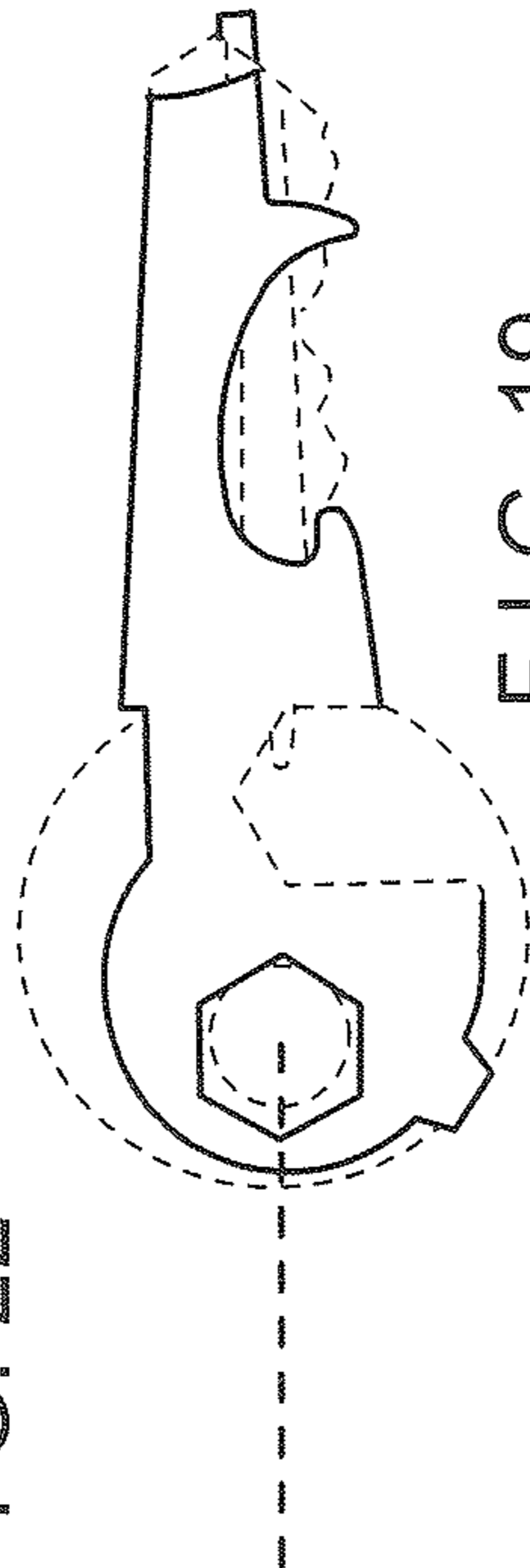


FIG. 19

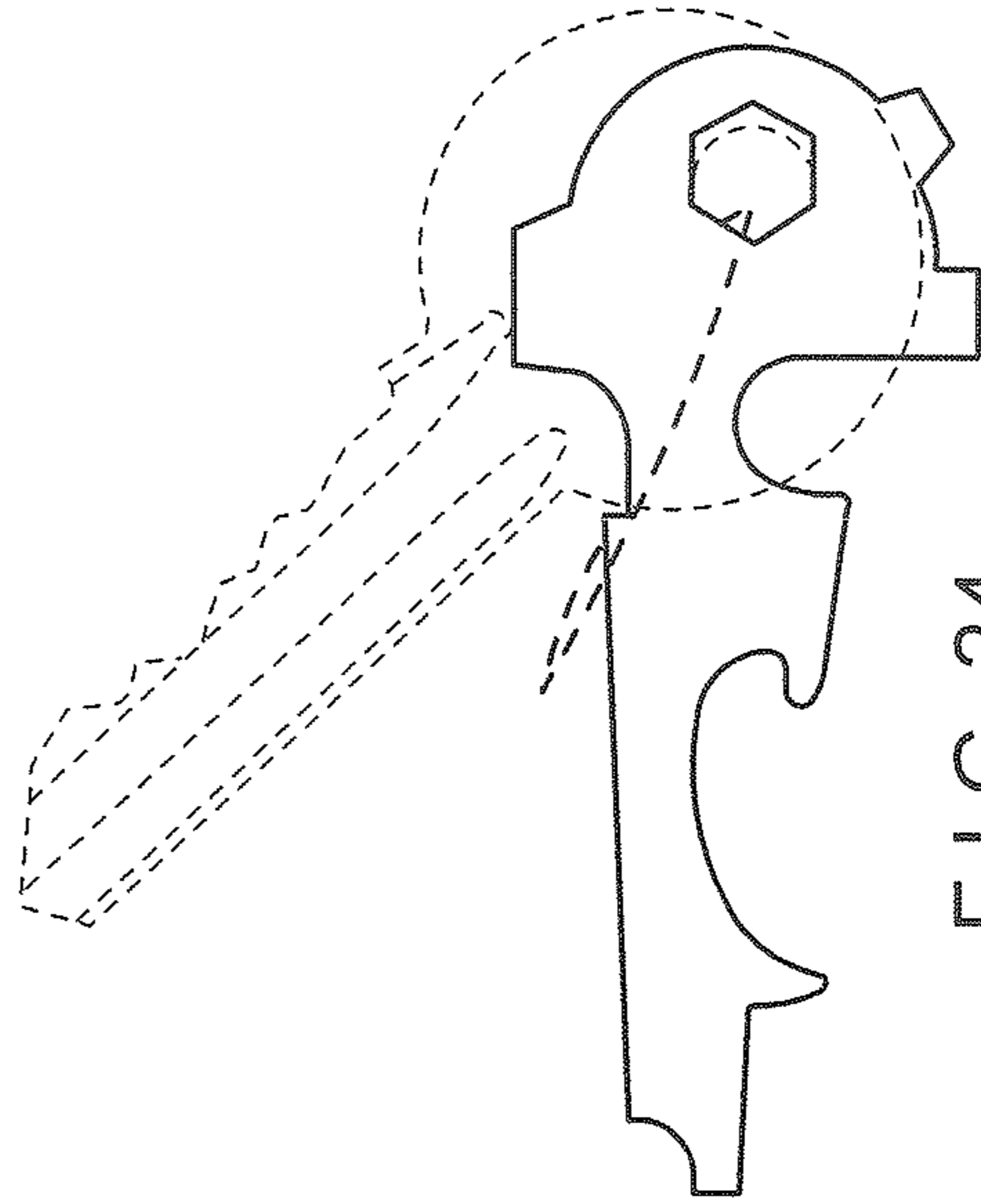
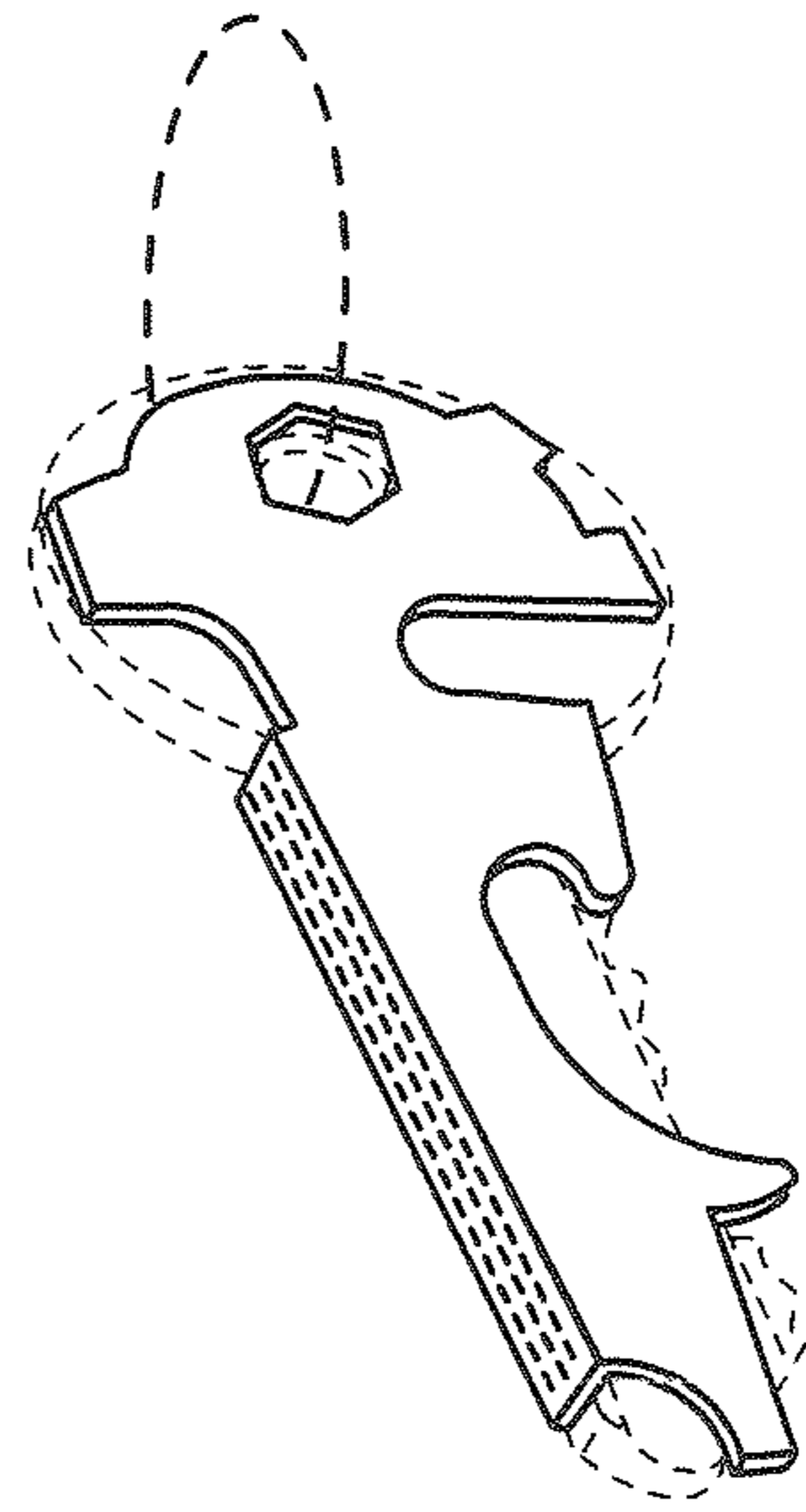


FIG. 24

FIG. 17



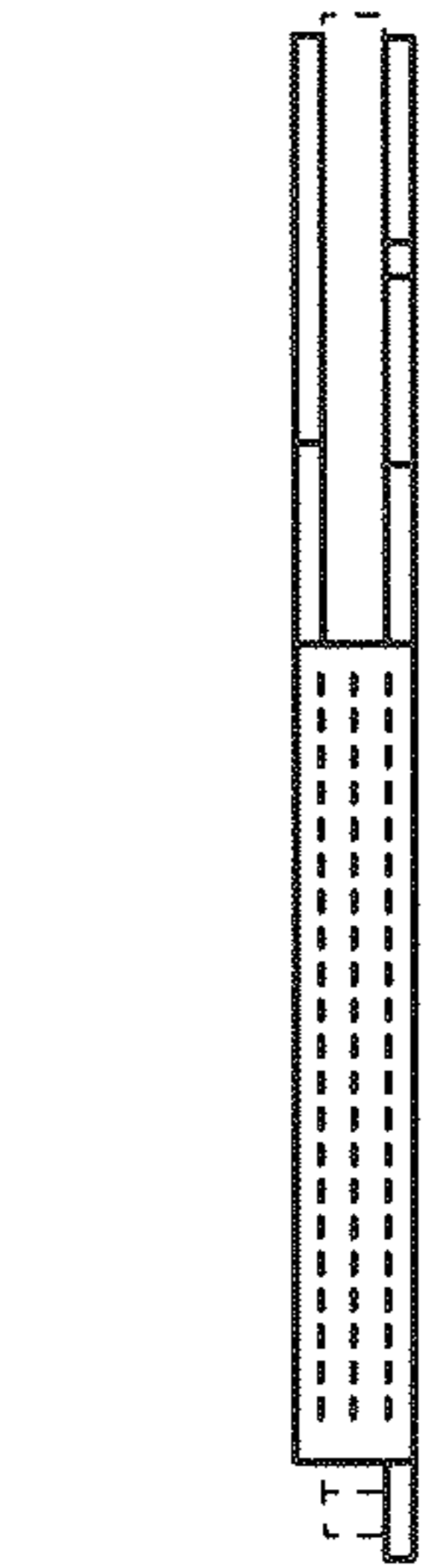
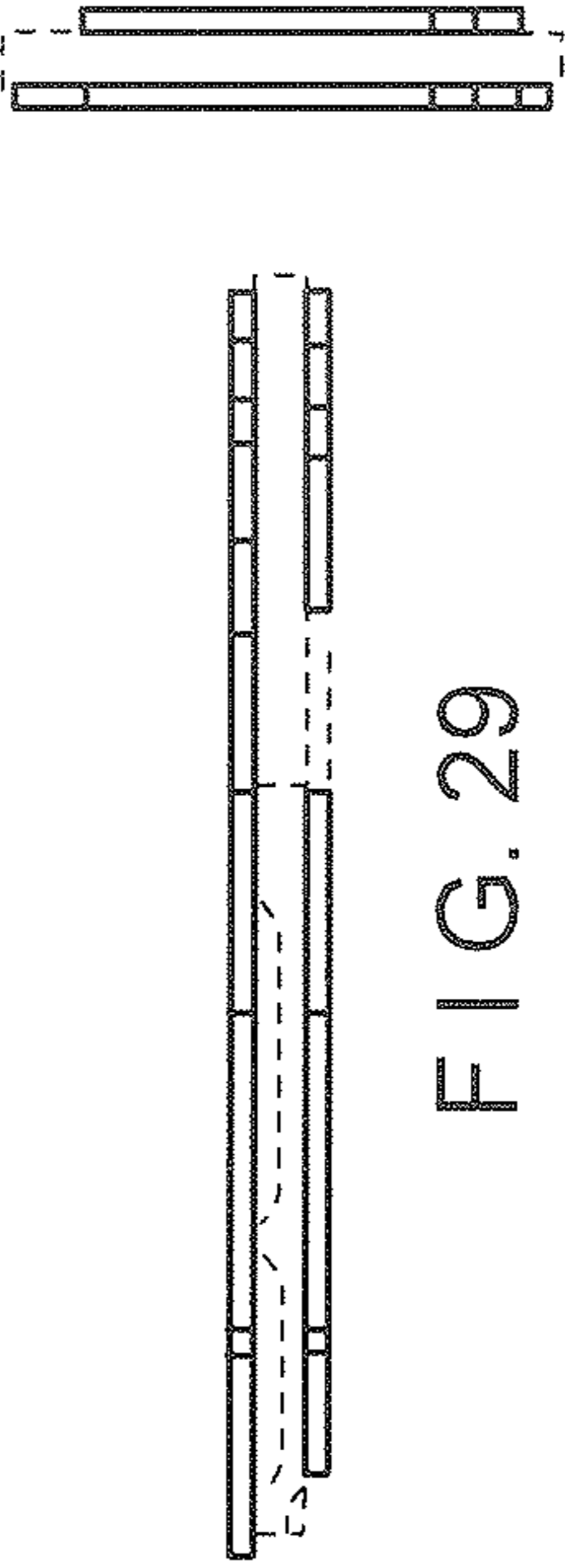


FIG. 31

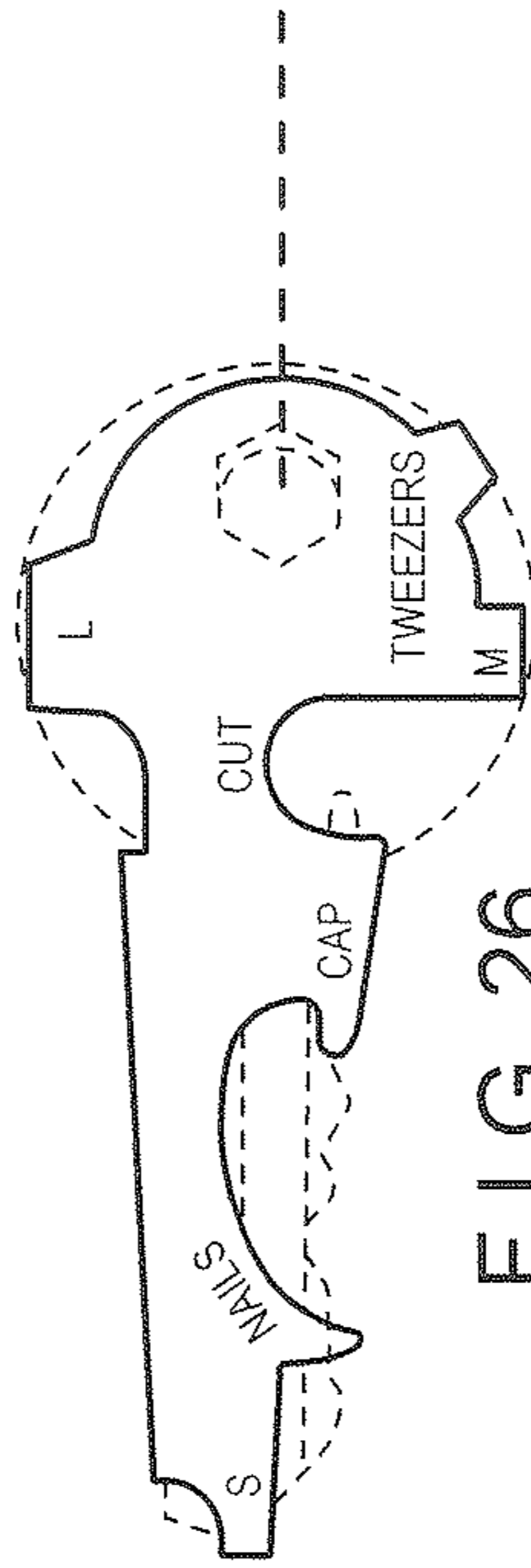


FIG. 27

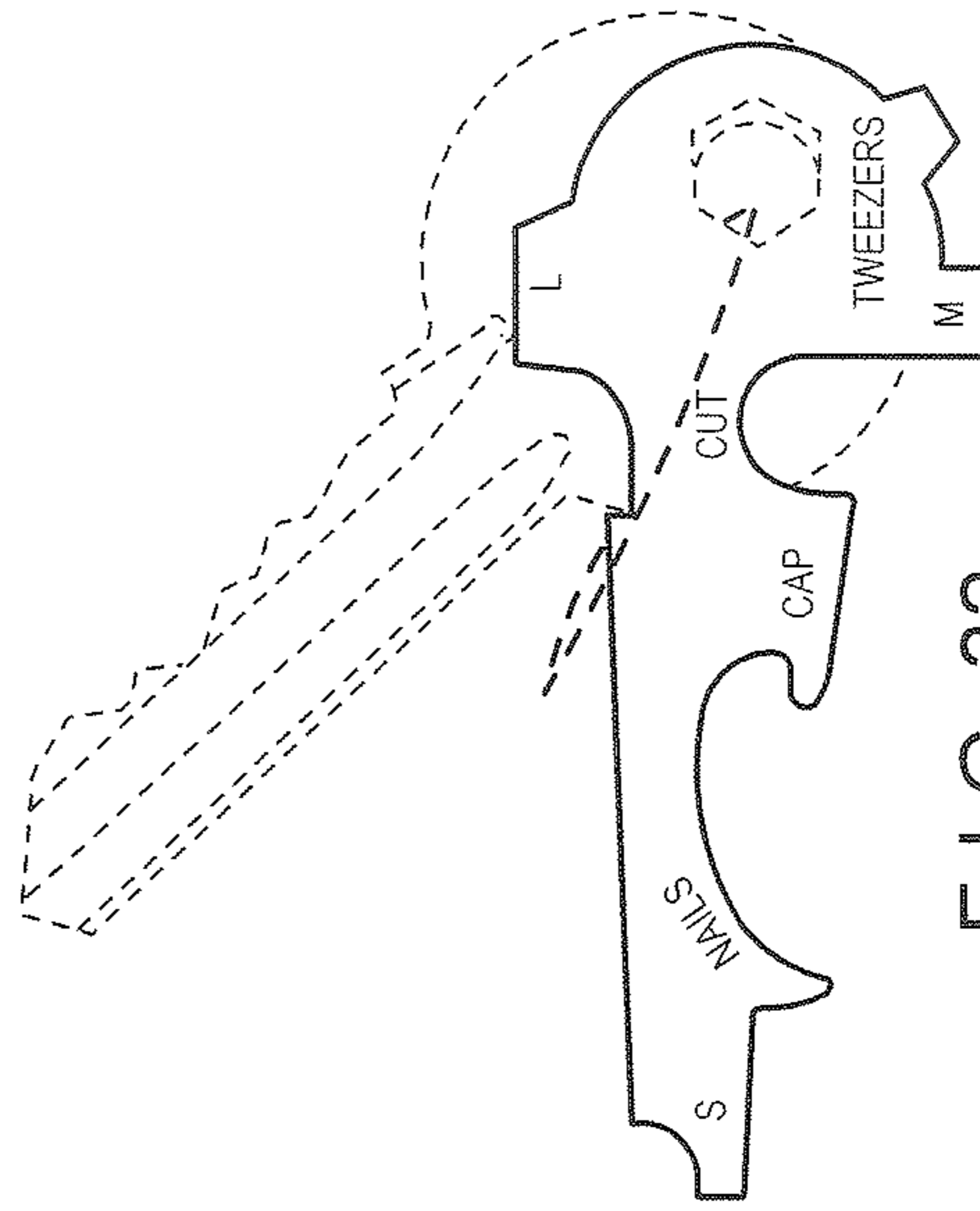
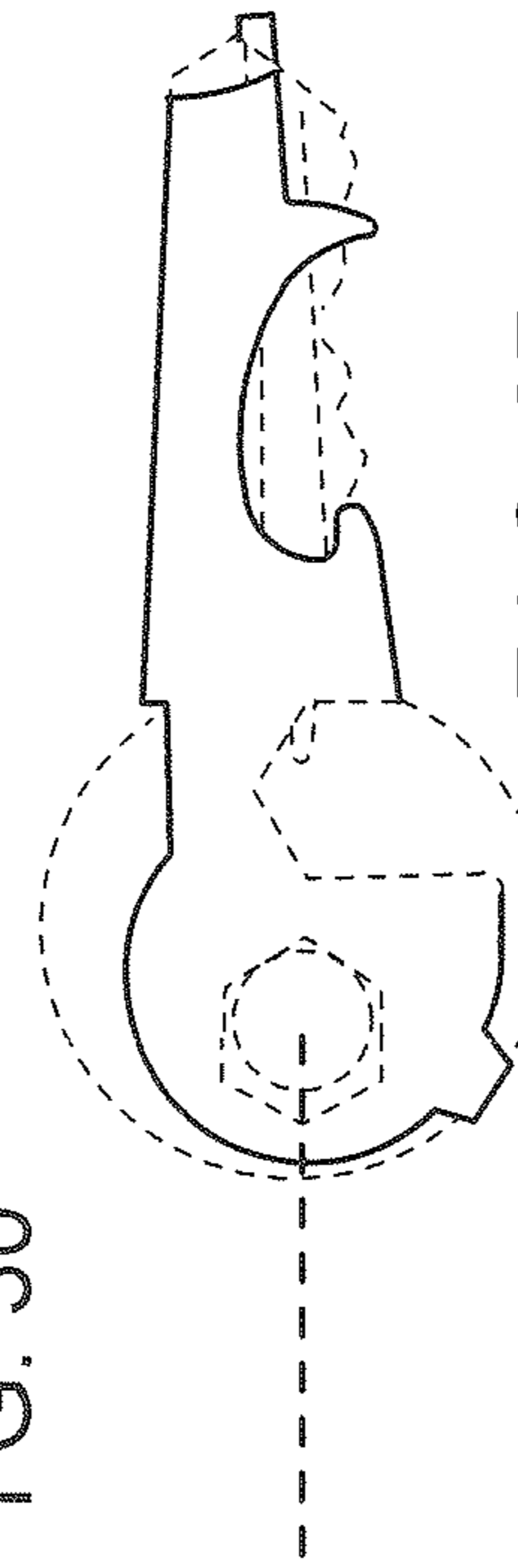


FIG. 25

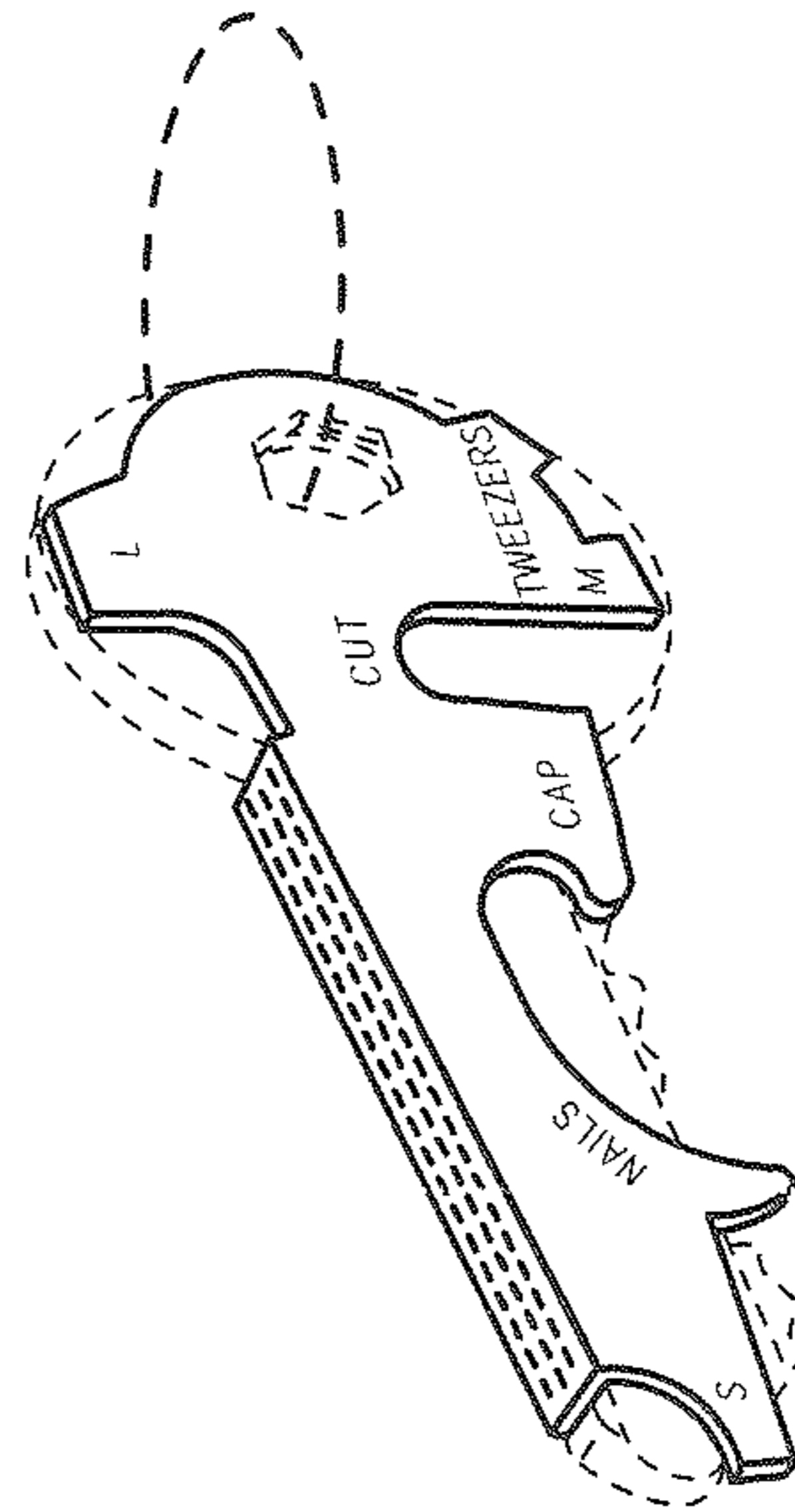


FIG. 29

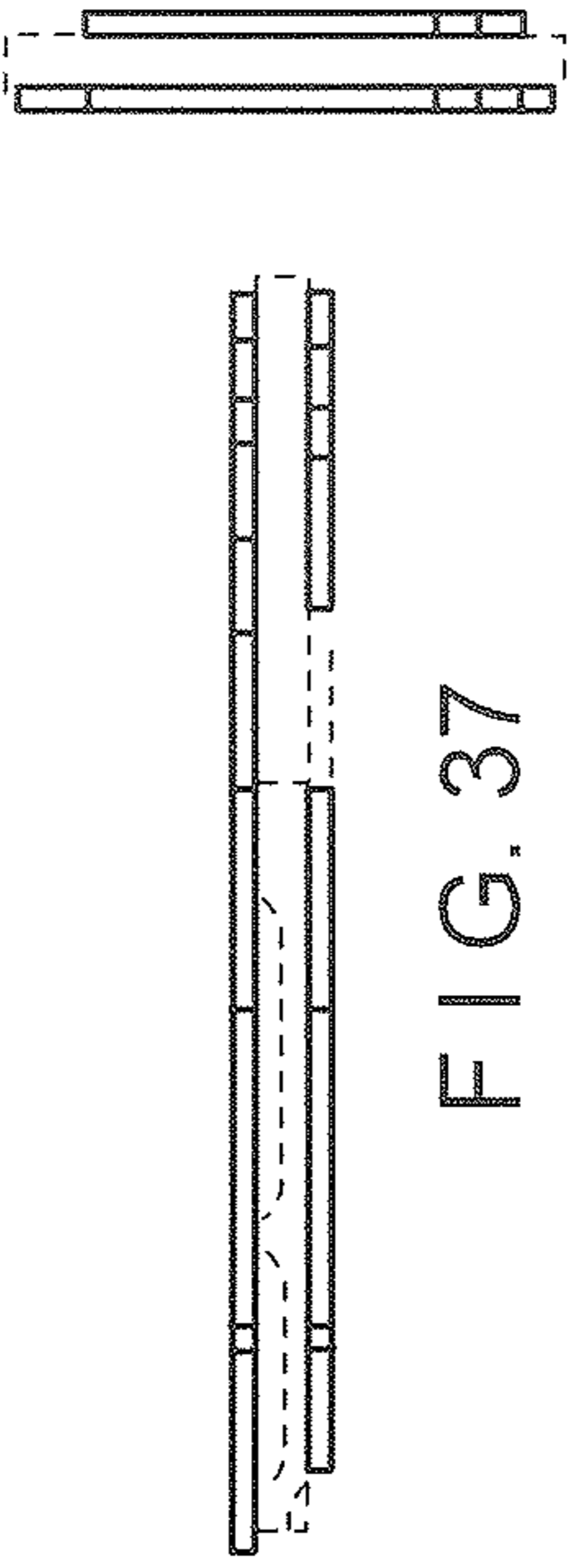


FIG. 36

FIG. 37



FIG. 38

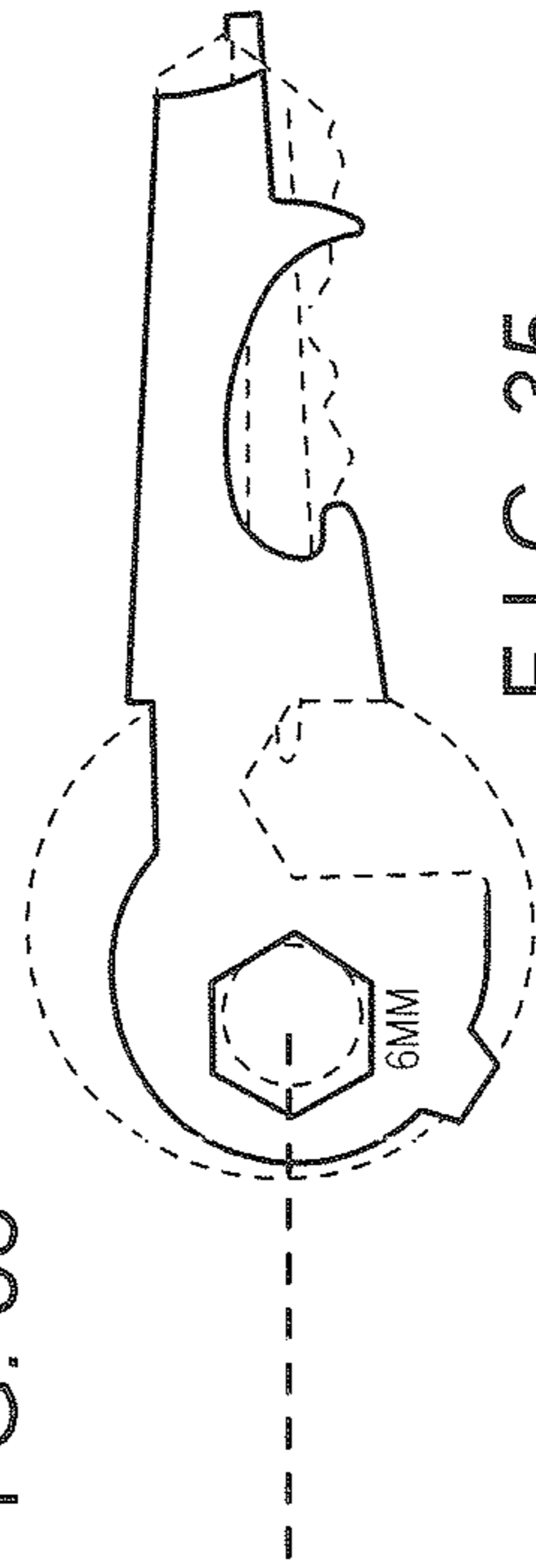


FIG. 39

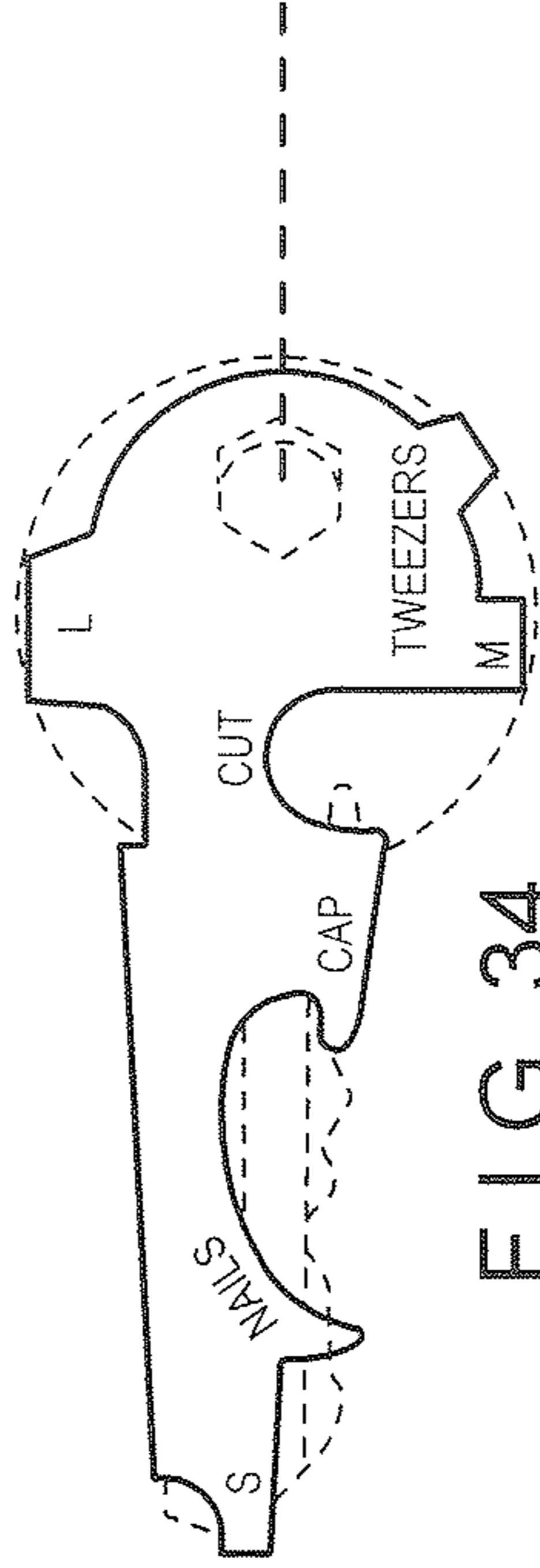


FIG. 40

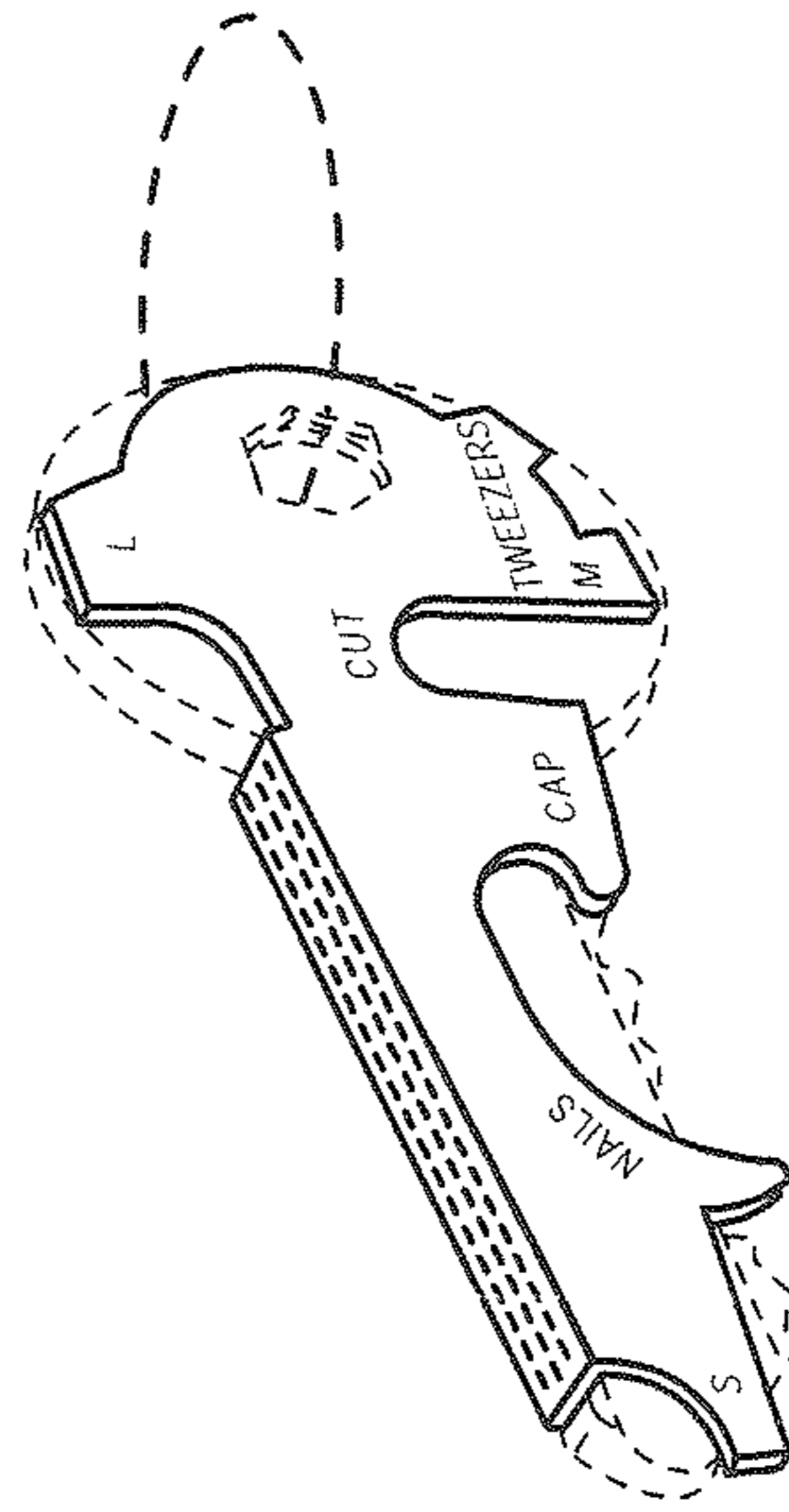


FIG. 33

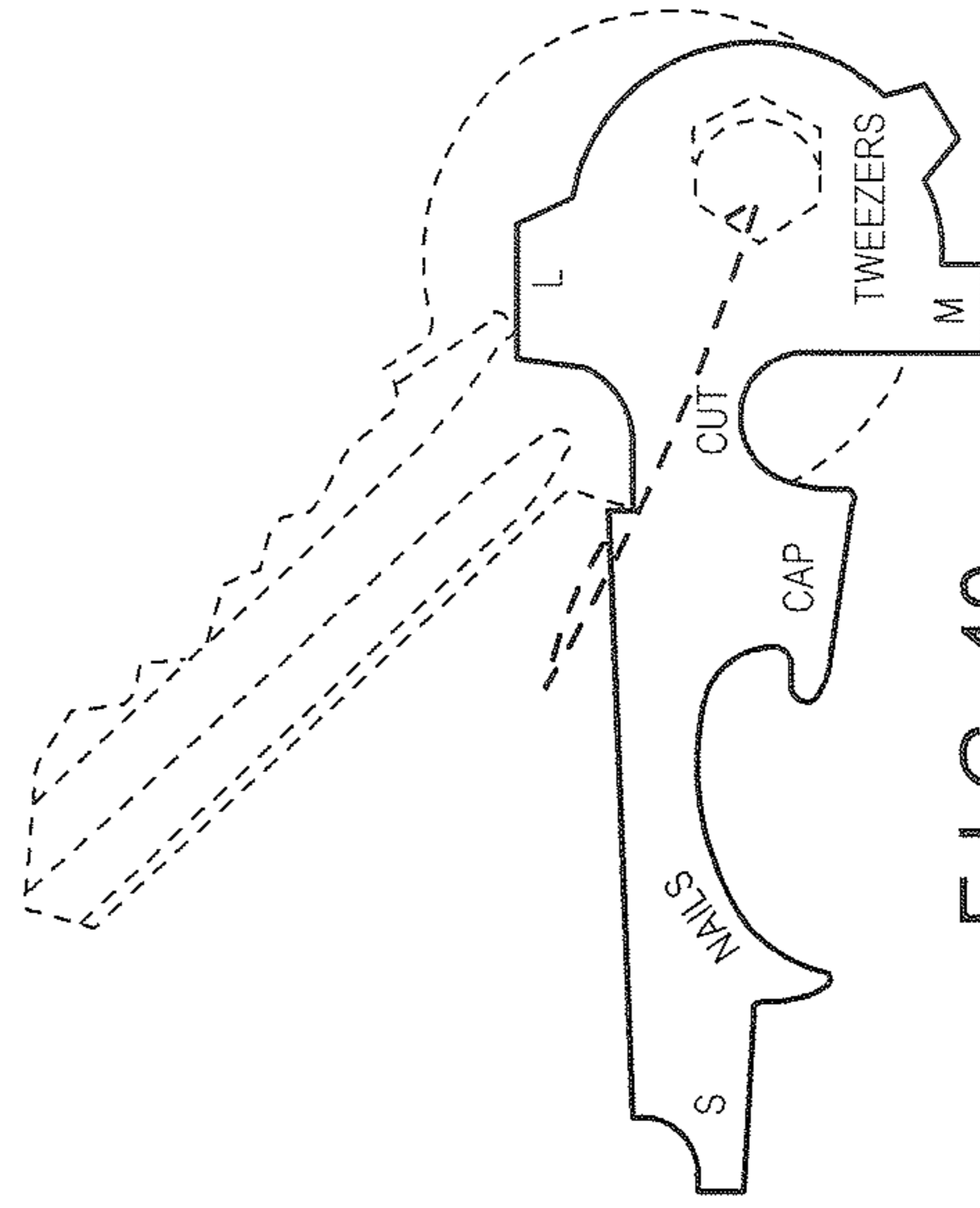


FIG. 34

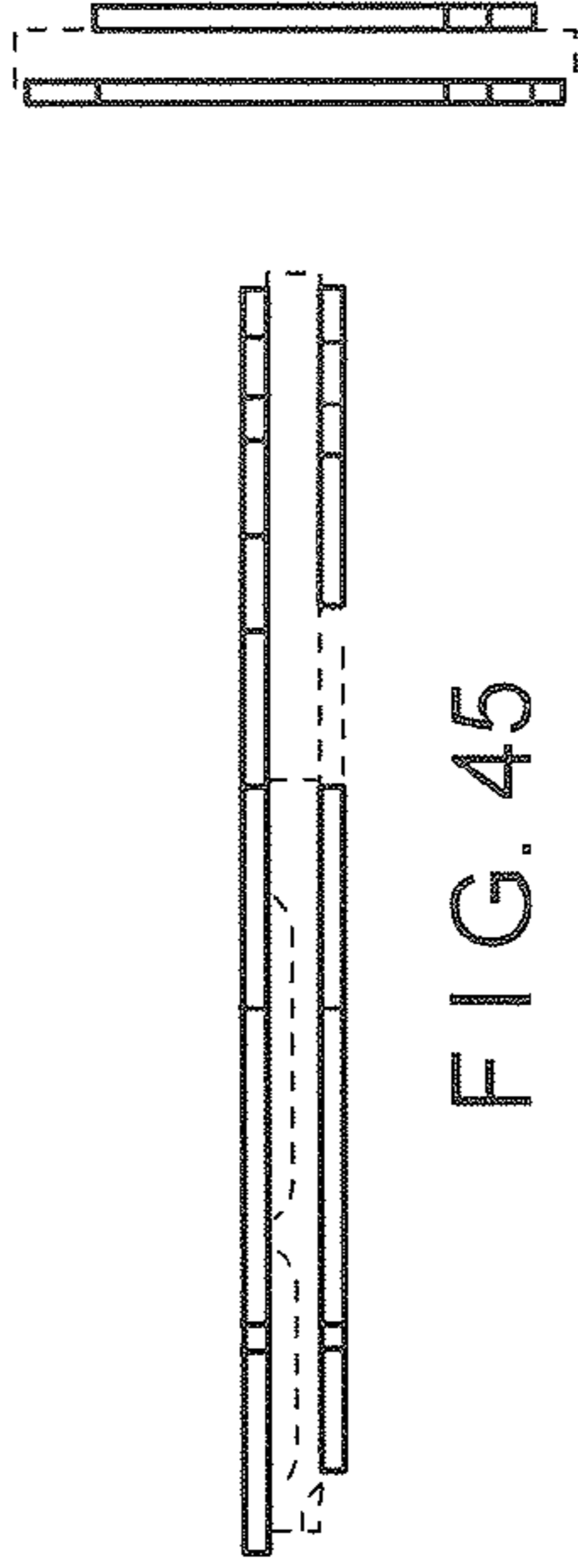


FIG. 44

FIG. 45

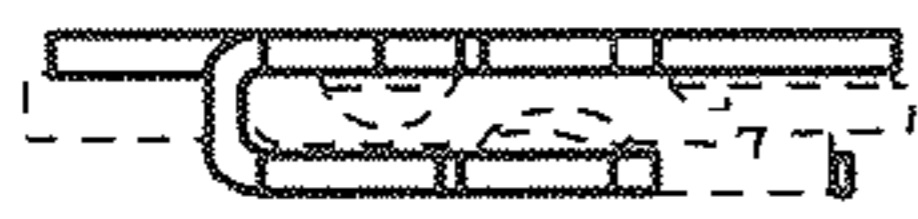


FIG. 46

FIG. 47

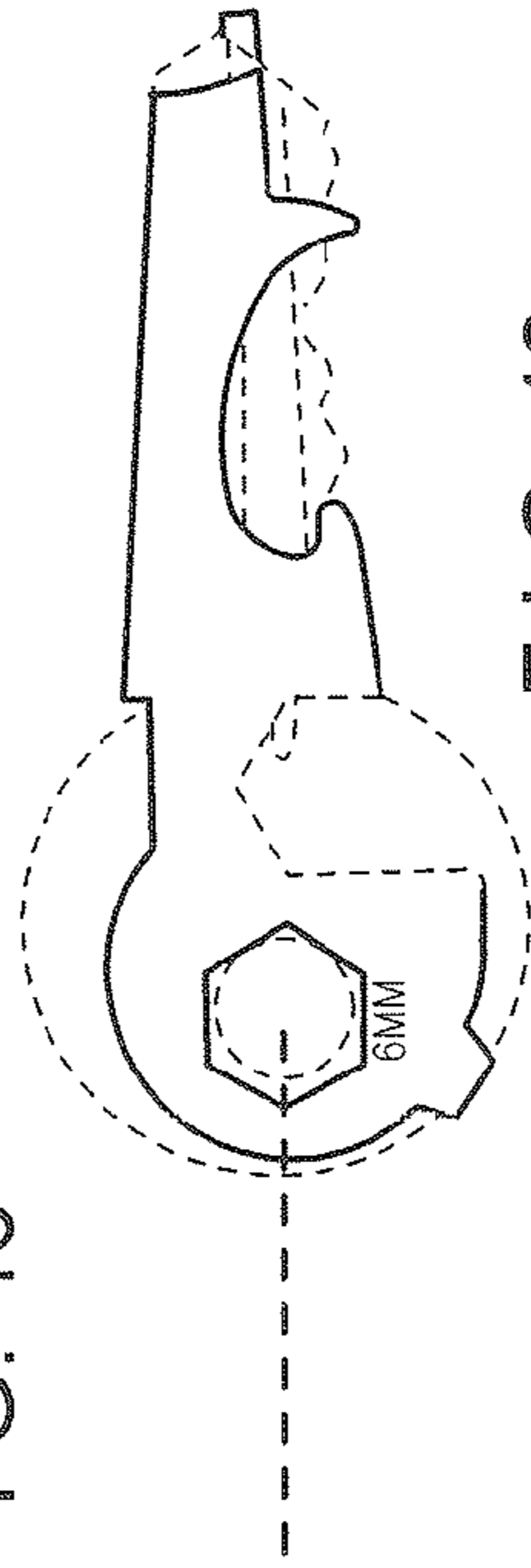


FIG. 41

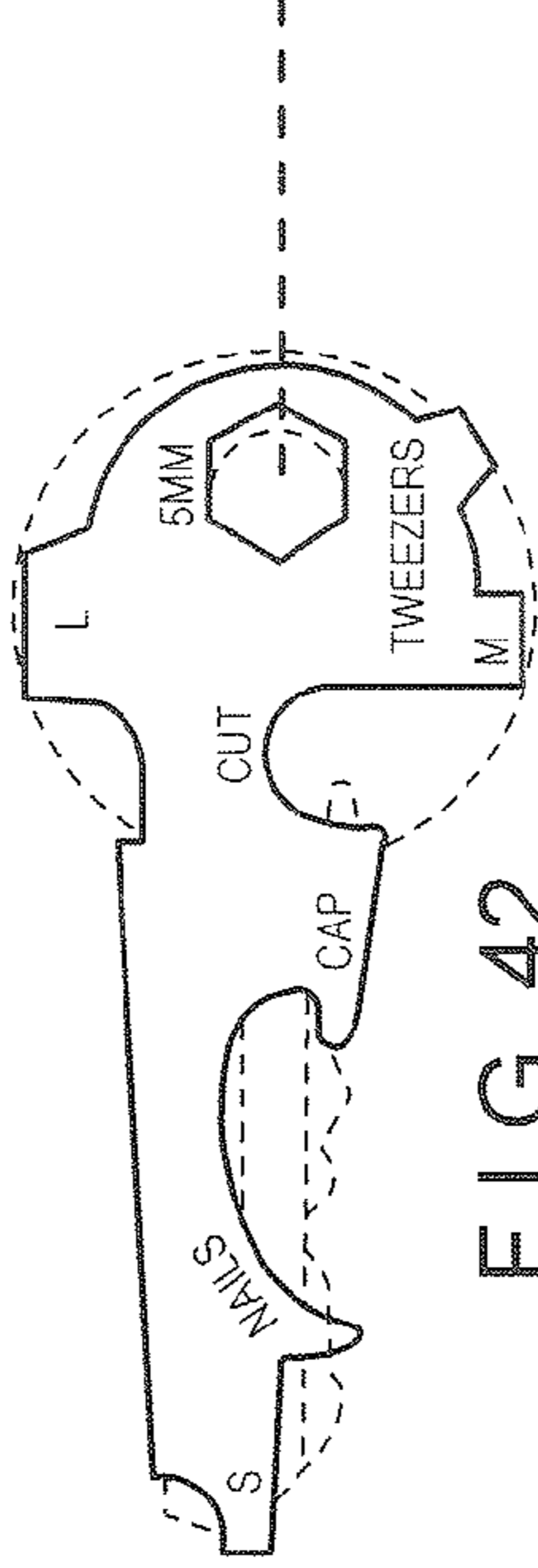


FIG. 42

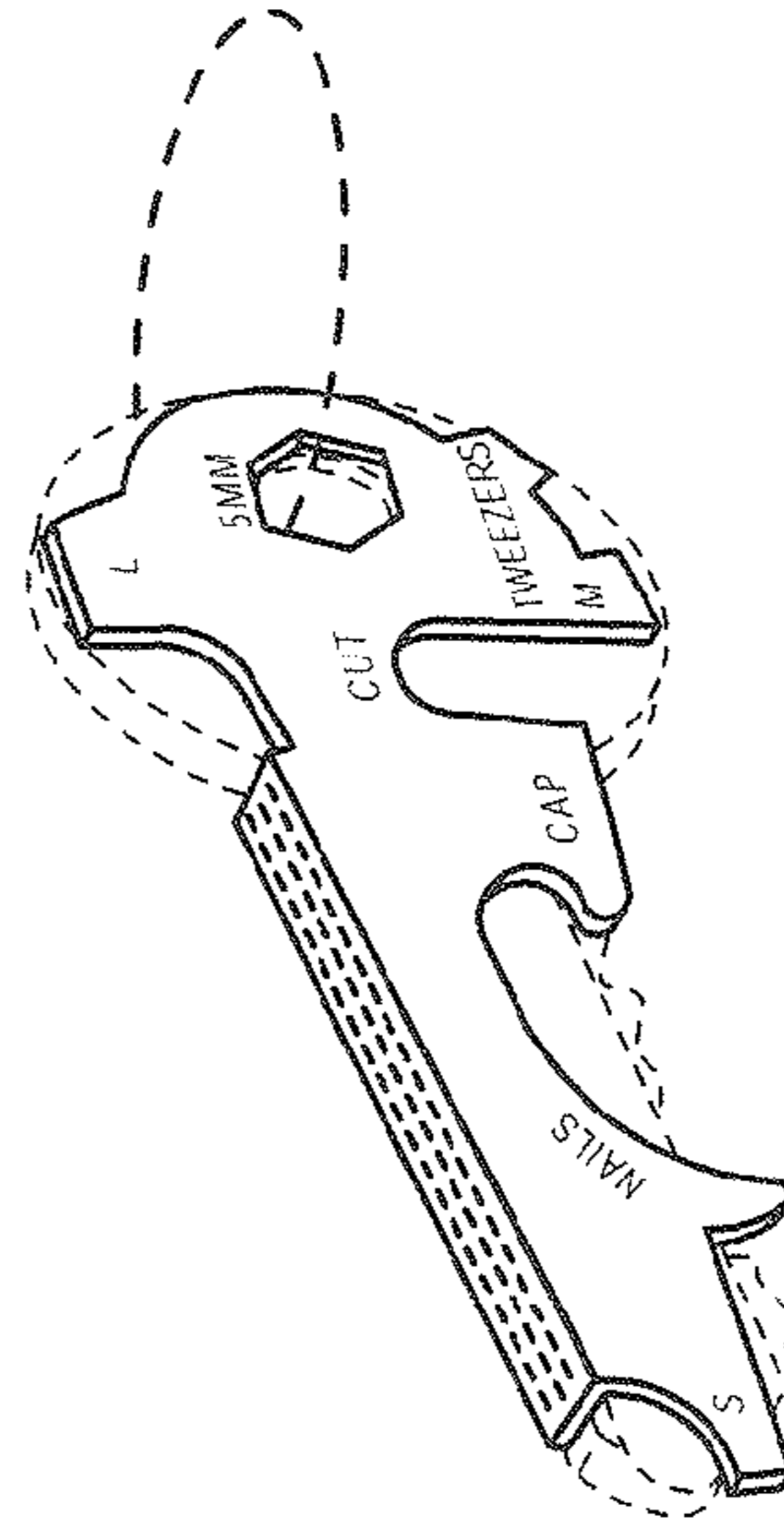


FIG. 43

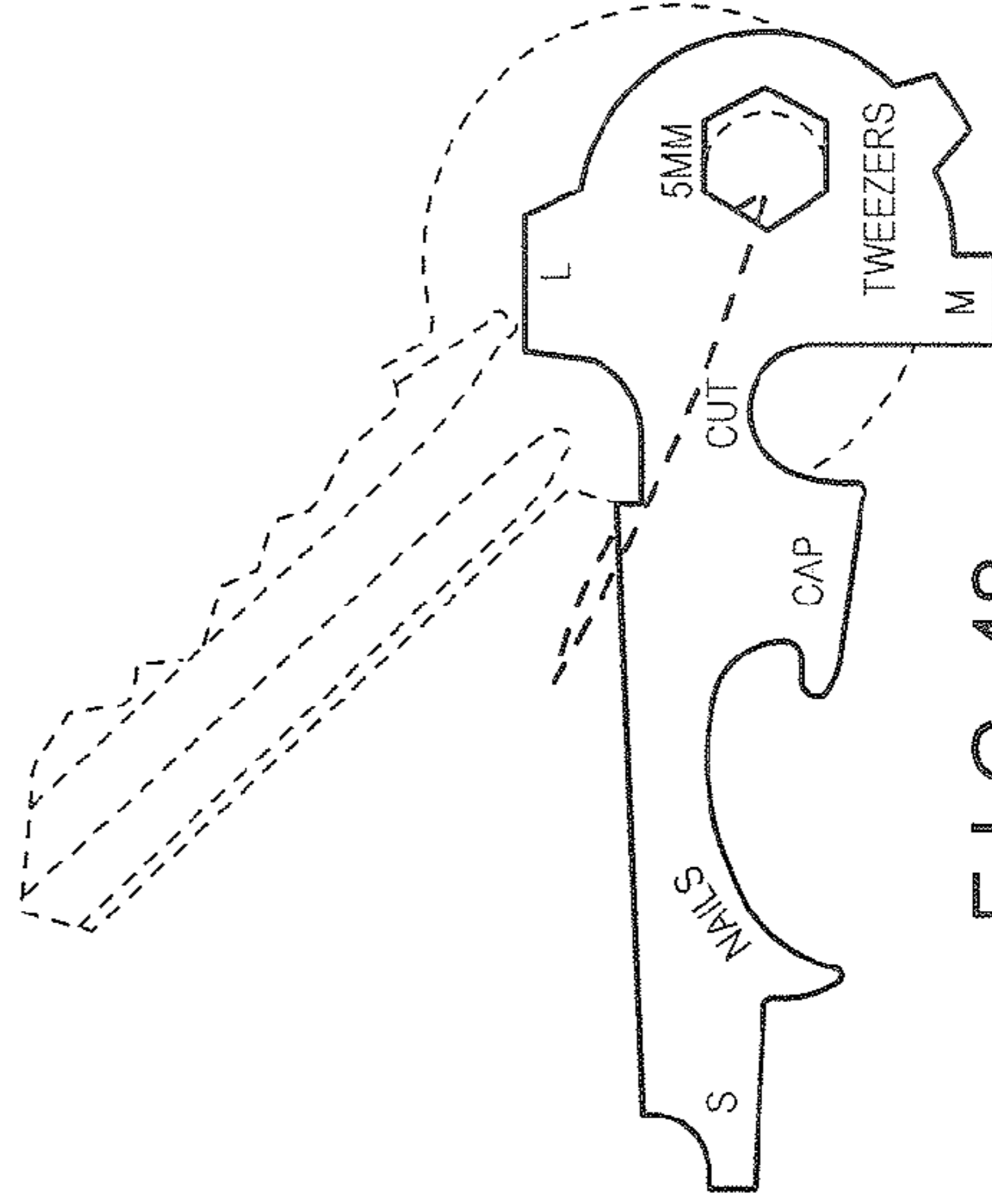


FIG. 48