



US00D693200S

(12) **United States Design Patent**
Saunders

(10) **Patent No.:** **US D693,200 S**

(45) **Date of Patent:** **** Nov. 12, 2013**

(54) **BENCH STOP**

(75) Inventor: **Terry R. Saunders**, North Gower (CA)

(73) Assignee: **Lee Valley Tools, Ltd.**, Ottawa, Ontario (CA)

(**) Term: **14 Years**

(21) Appl. No.: **29/430,572**

(22) Filed: **Aug. 28, 2012**

(51) **LOC (9) Cl.** **08-05**

(52) **U.S. Cl.**
USPC **D8/71**

(58) **Field of Classification Search**

USPC D8/59, 71-74, 354-356, 394-399;
D7/683, 685, 686; D6/400; D24/143;
D15/7-9, 140; D14/212, 216;
D23/231, 232; 248/62, 63, 72, 74.1,
248/124.2, 689; 81/487; 269/3, 4, 143,
269/147-149, 246-249, 254 R; 29/256, 257,
29/276

See application file for complete search history.

(56) **References Cited**

U.S. PATENT DOCUMENTS

1,569,236	A *	1/1926	Puterbaugh	144/307
4,291,868	A *	9/1981	Giles	269/93
D339,728	S *	9/1993	Lee	D8/71
D364,165	S *	11/1995	Esslinger	D14/213
D461,827	S *	8/2002	Koebbe	D15/7
6,668,695	B2 *	12/2003	Poole et al.	83/466
D517,387	S *	3/2006	Lewis	D8/71
D541,125	S *	4/2007	Gaudron	D8/71
D620,336	S *	7/2010	Jones et al.	D8/71
D643,442	S *	8/2011	Sato et al.	D15/9
D643,856	S *	8/2011	Taniguchi et al.	D15/7
D645,716	S *	9/2011	Jones et al.	D8/74
2009/0252570	A1 *	10/2009	Lee	411/15

OTHER PUBLICATIONS

Veritas® Prairie Dog™. Jan. 28, 2013 [online], [retrieved on Jun. 26, 2013]. Retrieved from the Internet <URL: <http://www.veritastools.com/Products/Page.aspx?p=612>>.*

Veritas® Prairie Dog™. Nov. 1, 2012 [online], [retrieved on Jun. 26, 2013]. Retrieved from the Internet <URL: <http://www.leevalley.com/US/wood/page.aspx?p=70156&cat=1,41637,41645>>.*

(Continued)

Primary Examiner — Philip S Hyder

Assistant Examiner — Darlington Ly

(74) *Attorney, Agent, or Firm* — Kilpatrick Townsend & Stockton LLP; John S. Pratt; Camilla C. Williams

(57) **CLAIM**

The ornamental design for a bench stop, as shown and described.

DESCRIPTION

FIG. 1 is a perspective view of the bench stop of this invention.

FIG. 2 is a side elevation view of the bench stop shown in FIG. 1, the other side elevation view being a mirror image thereof. FIG. 3 is a front elevation view of the bench stop shown in FIG. 1.

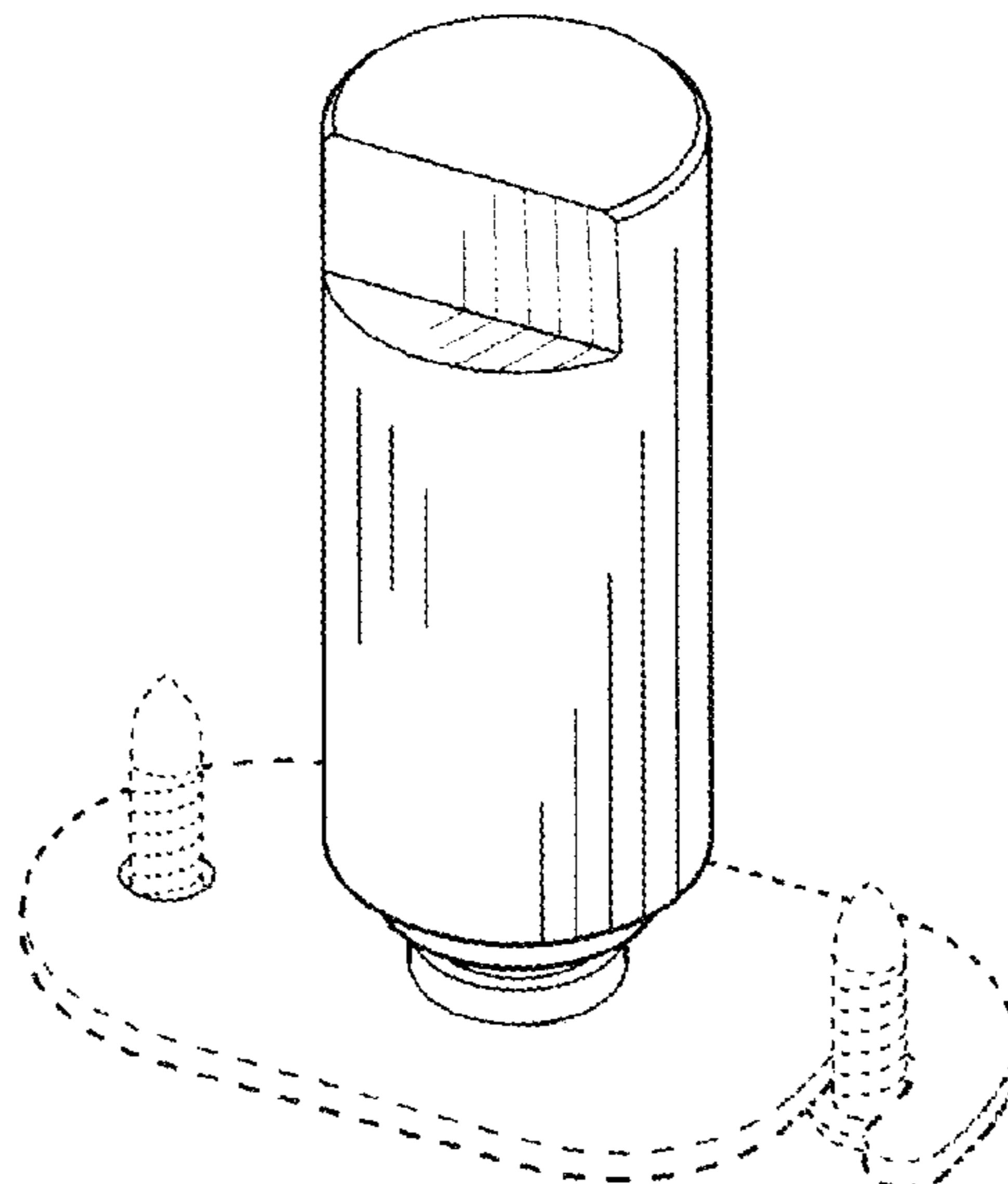
FIG. 4 is a bottom plan view of the bench stop shown in FIG. 1.

FIG. 5 is a top plan view of the bench stop shown in FIG. 1. FIG. 6 is a front elevation view of the bench stop shown in FIG. 1, in an extended position; and,

FIG. 7 is a side elevation view of the bench stop shown in FIG. 1, in an extended position; the opposing side view being a mirror image thereof.

The broken lines in the drawings form no part of the claimed design.

1 Claim, 2 Drawing Sheets



(56)

References Cited

OTHER PUBLICATIONS

[http://www.leevalley.com/US/wood/page.aspx?p=31127
&cat=1,41637,41645,31127](http://www.leevalley.com/US/wood/page.aspx?p=31127&cat=1,41637,41645,31127), Veritas® Round Bench Dogs & Muzzles.
[http://www.leevalley.com/US/wood/page.aspx?p=62720
&cat=1,41637,41645,62720](http://www.leevalley.com/US/wood/page.aspx?p=62720&cat=1,41637,41645,62720), Set of Veritas® Pups.
[http://www.leevalley.com/US/hardware/page.aspx?p=40598
&cat=3,41399,41403](http://www.leevalley.com/US/hardware/page.aspx?p=40598&cat=3,41399,41403), Magnetic Touch Latches.
<http://www.leevalley.com/US/hardware/page.aspx?p=56383>

&cat=3,41399, Magnetic One-Touch Latches.
[http://www.hardwaresource.com/hinges/FURNITURE+HINGES/
Glass+Door+Hinges/M . . .](http://www.hardwaresource.com/hinges/FURNITURE+HINGES/Glass+Door+Hinges/M...), Magnetic Touch Latches and Plates for Glass Doors.
<http://www.rockler.com/product.cfm?page=139>, Magnetic Touch Latch.
<http://www.atlantichardwarecorp.com/img/p/500-703-thickbox.jpg>.
<http://sugatsune.com/products/Images/pm-4nhb.jpg>.
<http://www.woodtechnology.com/5088>, 5088.001.060—Black Magnetic Touch Latch.

* cited by examiner

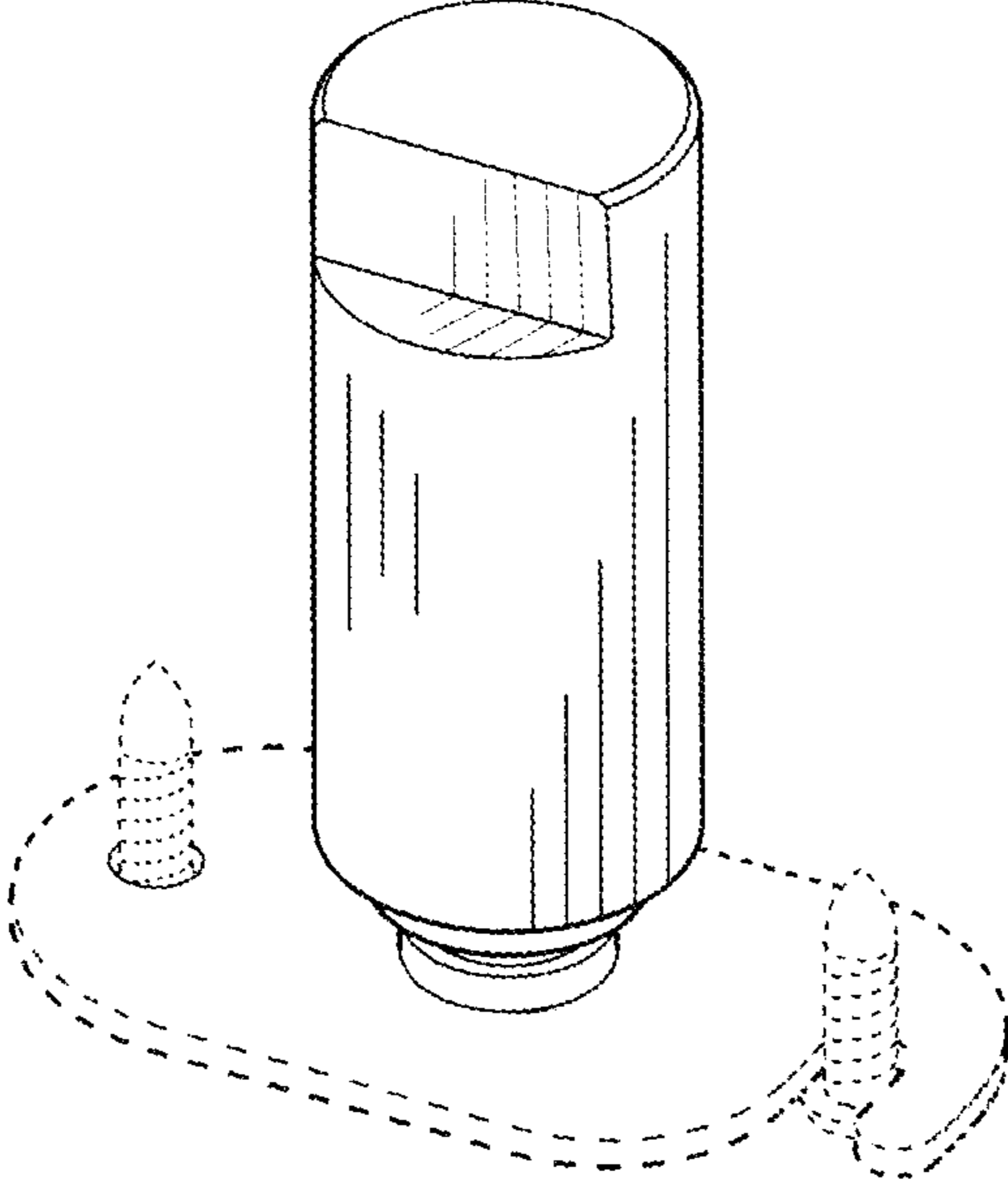


FIG. 1

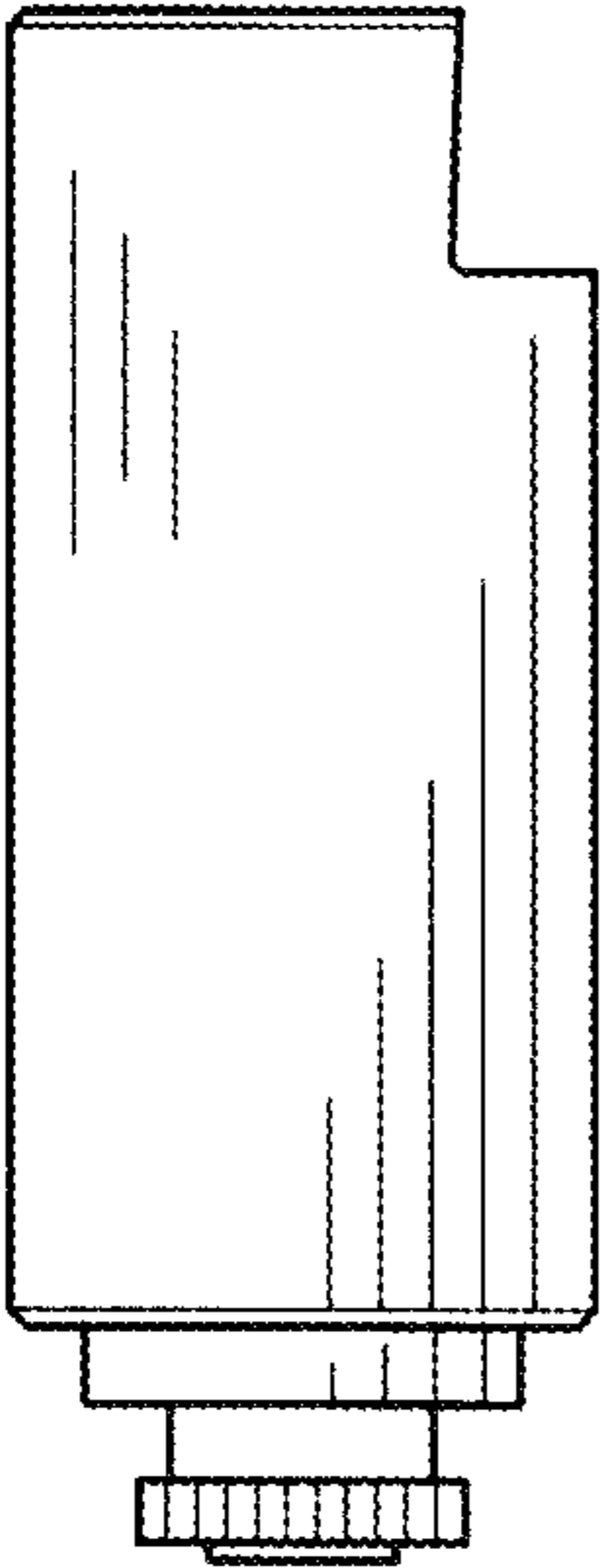


FIG. 2

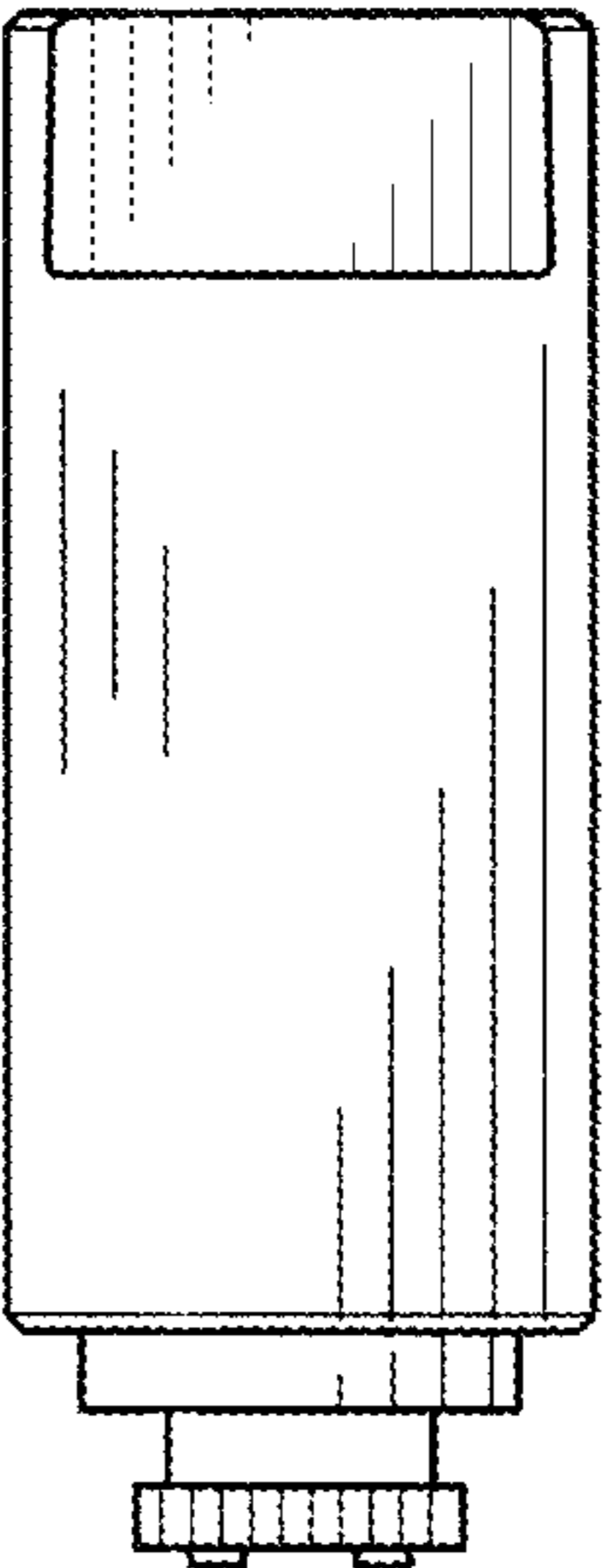


FIG. 3

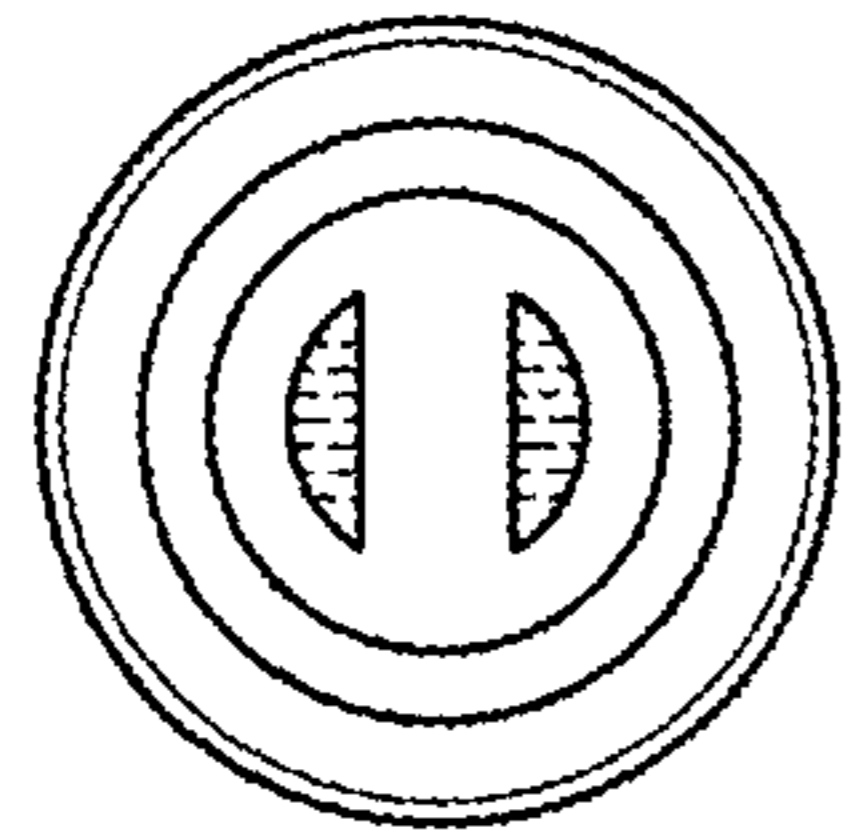


FIG. 4

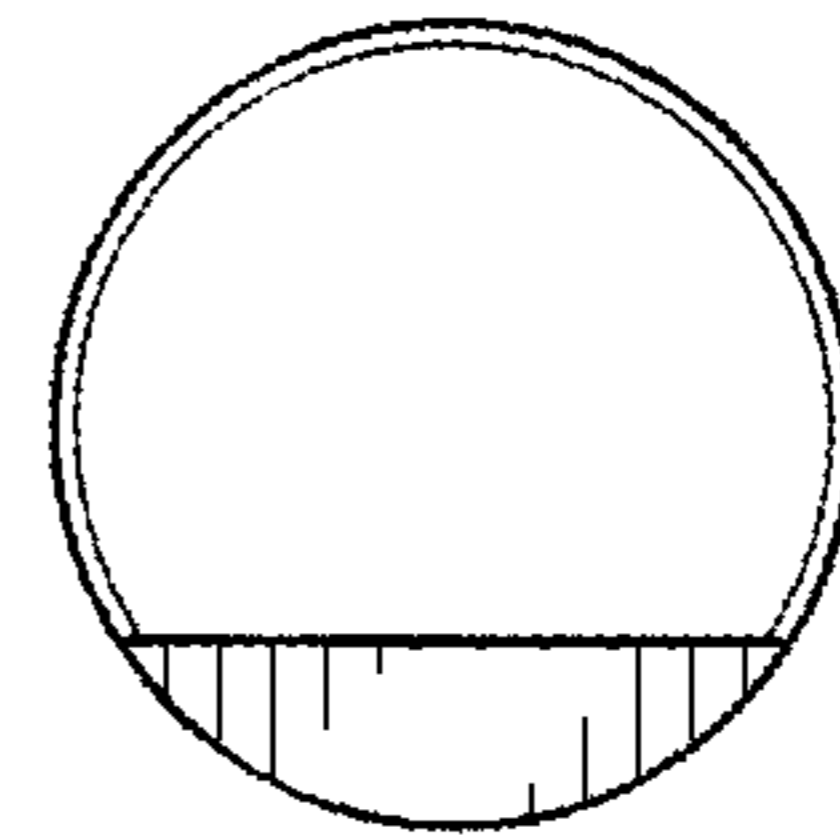


FIG. 5

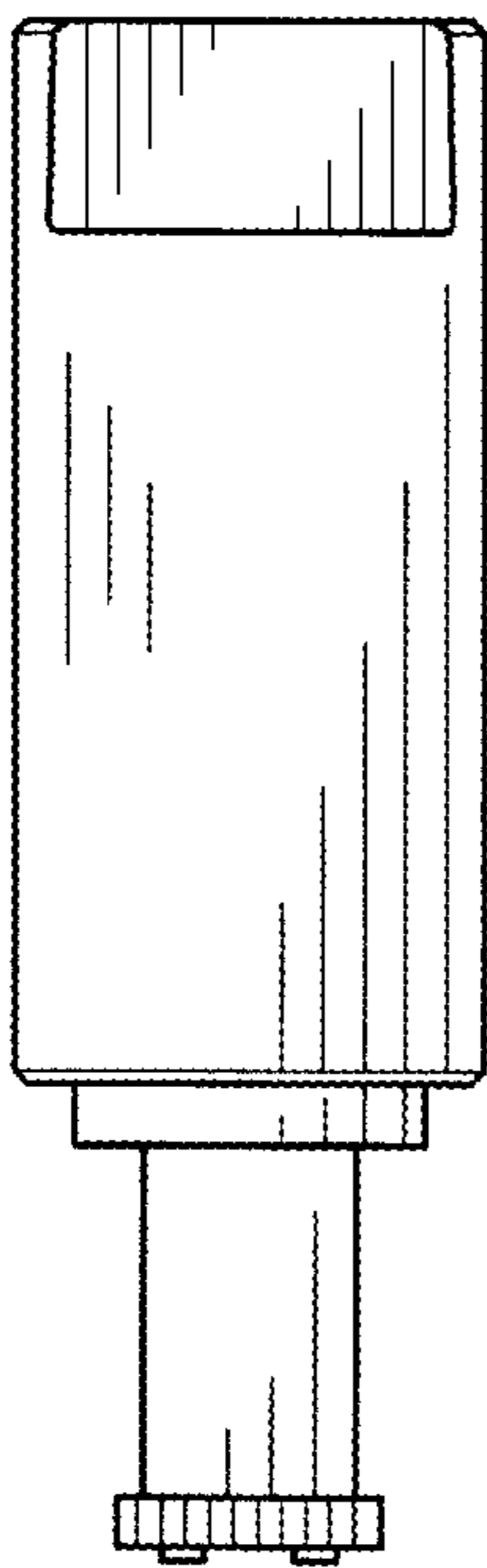


FIG. 6

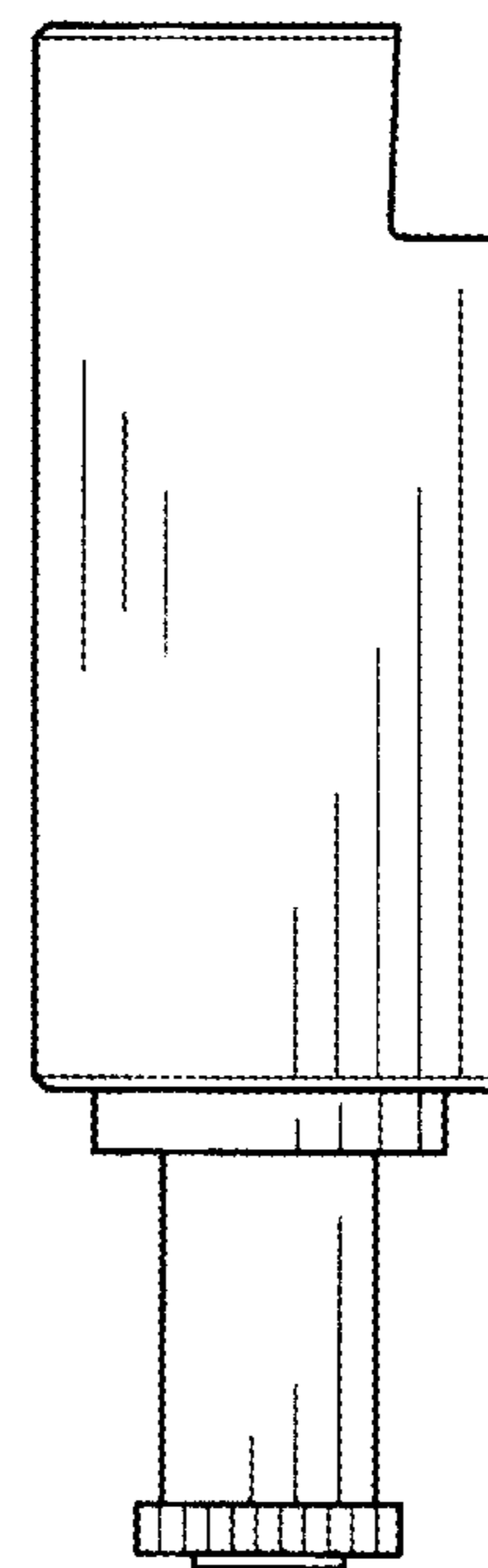


FIG. 7