



US00D693199S

(12) **United States Design Patent**
Maiерthaler

(10) **Patent No.:** **US D693,199 S**

(45) **Date of Patent:** **** Nov. 12, 2013**

(54) **DEMOLITION TOOL**

(71) Applicant: **Wacker Neuson Produktion GmbH & Co. KG**, Munich (DE)

(72) Inventor: **Manuel Maiерthaler**, Munich (DE)

(73) Assignee: **Wacker Neuson Produktion GmbH & Co., KG**, Munich (DE)

(**) Term: **14 Years**

(21) Appl. No.: **29/450,692**

(22) Filed: **Mar. 21, 2013**

(30) **Foreign Application Priority Data**

Sep. 24, 2012 (EM) 002107821

(51) **LOC (9) Cl.** **08-02**

(52) **U.S. Cl.**
USPC **D8/67**

(58) **Field of Classification Search**
USPC D8/61-70; 81/57.11, 54, 57.42;
173/170, 271, 171, 205; 74/55
See application file for complete search history.

(56) **References Cited**

U.S. PATENT DOCUMENTS

D301,967 S * 7/1989 Sakamoto et al. D8/67
D319,960 S * 9/1991 Johansson D8/61
D335,619 S * 5/1993 Ogawa et al. D8/67

D570,174 S * 6/2008 Stirn D8/67
D580,250 S * 11/2008 Strim D8/67
D603,674 S * 11/2009 Werner D8/67
7,624,815 B2 * 12/2009 Friedrich et al. 173/205
7,726,413 B2 * 6/2010 Berghauser et al. 173/171
D641,604 S * 7/2011 Stirn D8/67
D642,443 S * 8/2011 Stirn D8/67
D657,647 S * 4/2012 Tinus D8/67
D666,468 S * 9/2012 Braun D8/67
D668,521 S * 10/2012 Degener D8/67

* cited by examiner

Primary Examiner — Austin Murphy

(74) *Attorney, Agent, or Firm* — Boyle Fredrickson, S.C.

(57) **CLAIM**

The ornamental design for a demolition tool, as shown and described.

DESCRIPTION

FIG. 1 is an isometric view of a demolition tool incorporating my new design, viewed from above, in front of, and from the left side of the demolition tool;

FIG. 2 is a front side elevation view thereof;

FIG. 3 is a rear side elevation view thereof;

FIG. 4 is left side elevation view thereof;

FIG. 5 is a right side elevation view thereof;

FIG. 6 is a top plan view thereof; and,

FIG. 7 is a bottom plan view thereof.

The broken lines in the drawings are for illustrative purposes only and form no part of the claimed design.

1 Claim, 7 Drawing Sheets

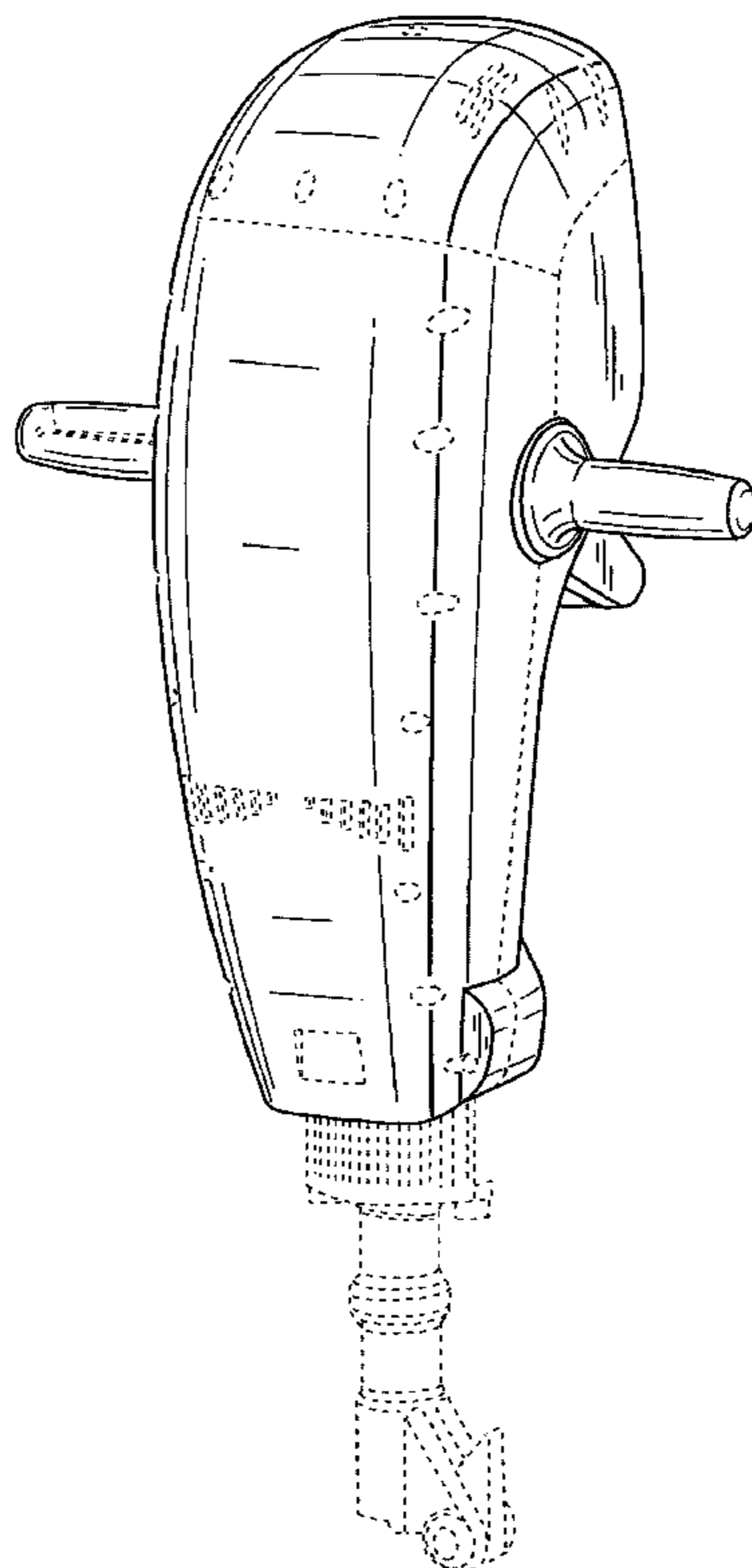


FIG. 1

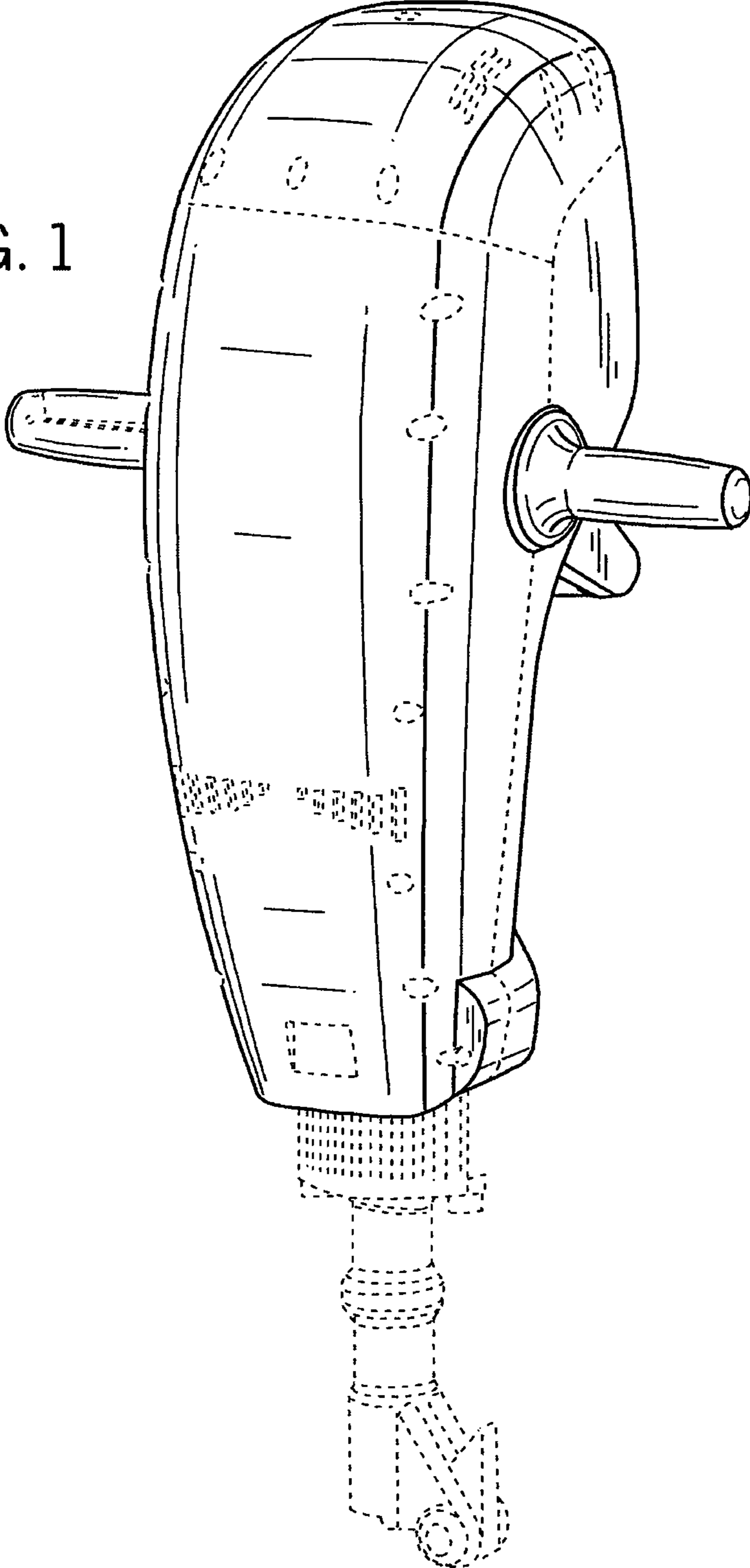


FIG. 2

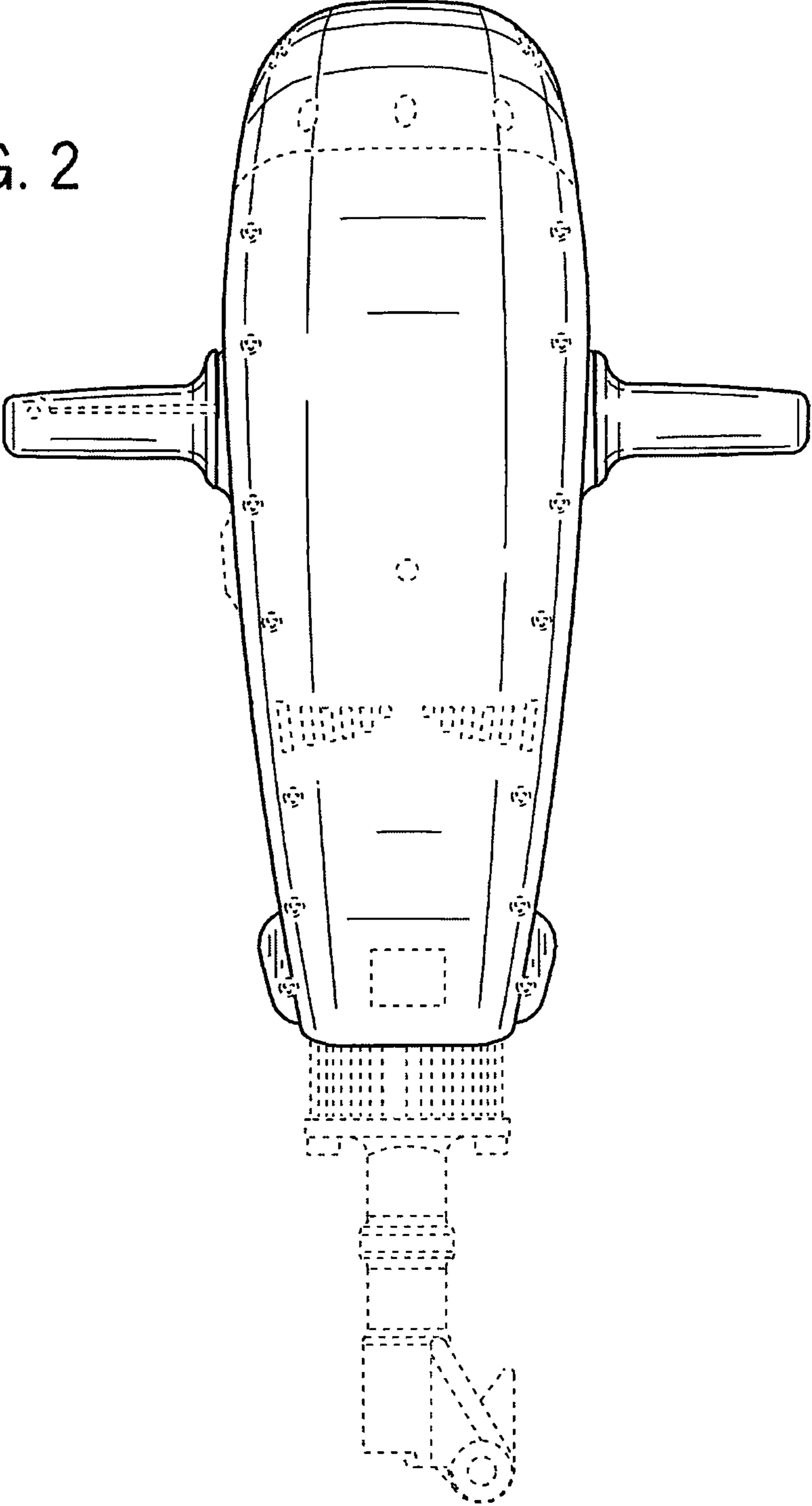


FIG. 3

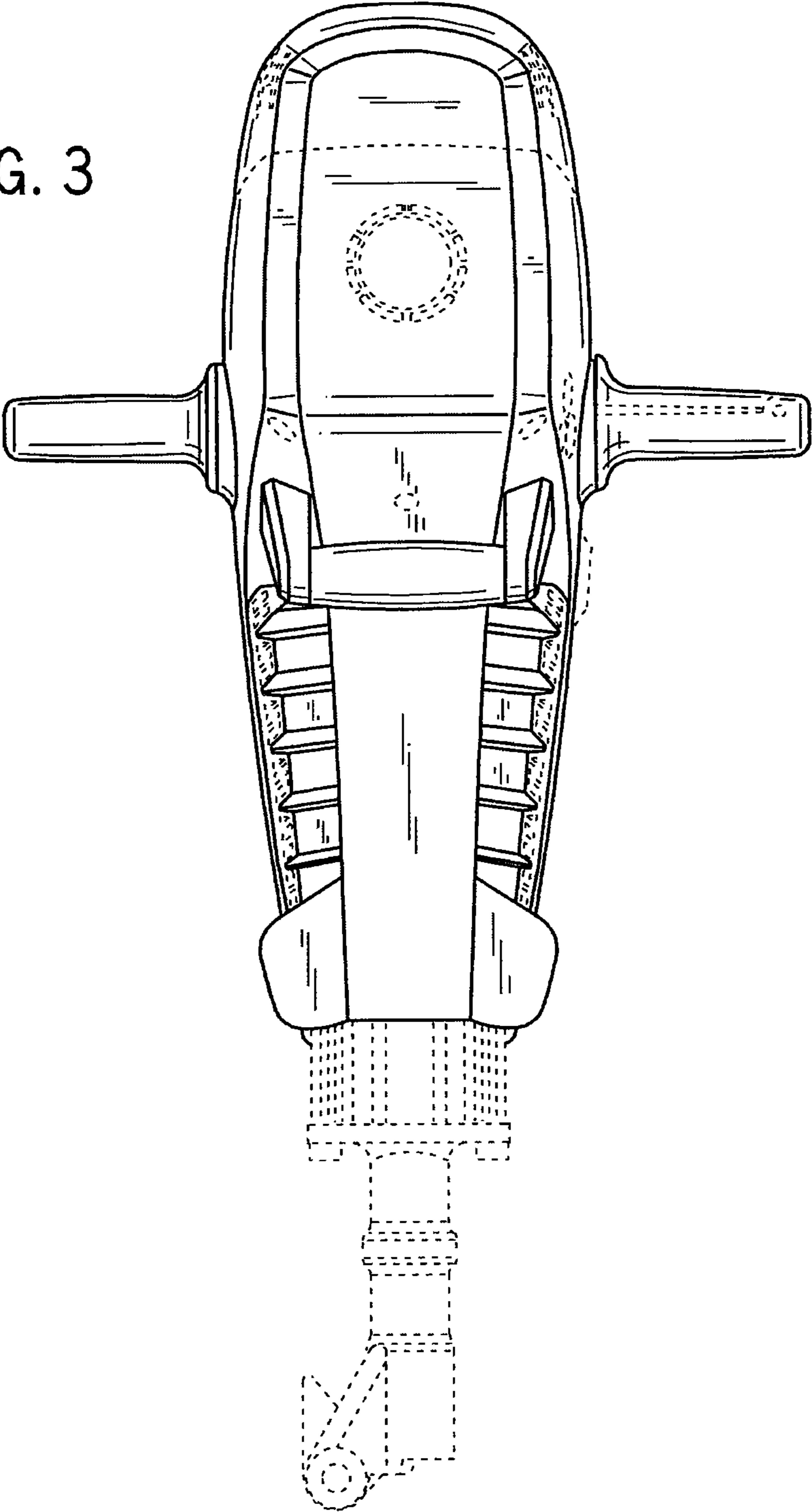


FIG. 4

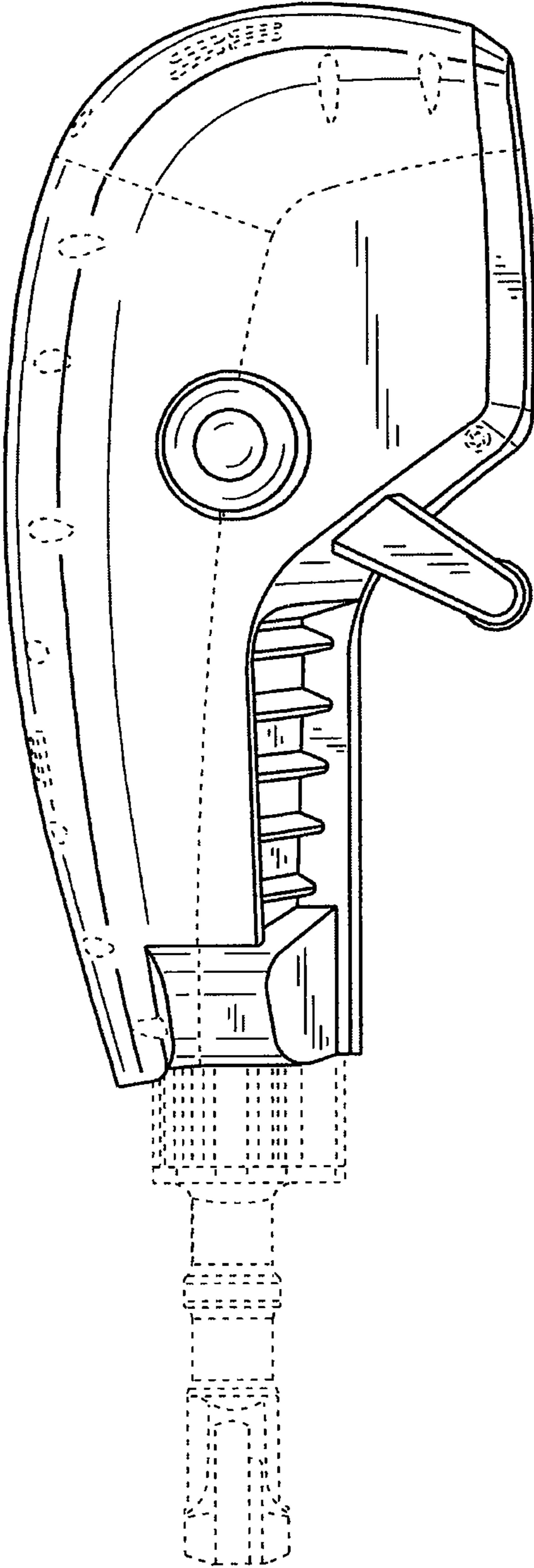


FIG. 5

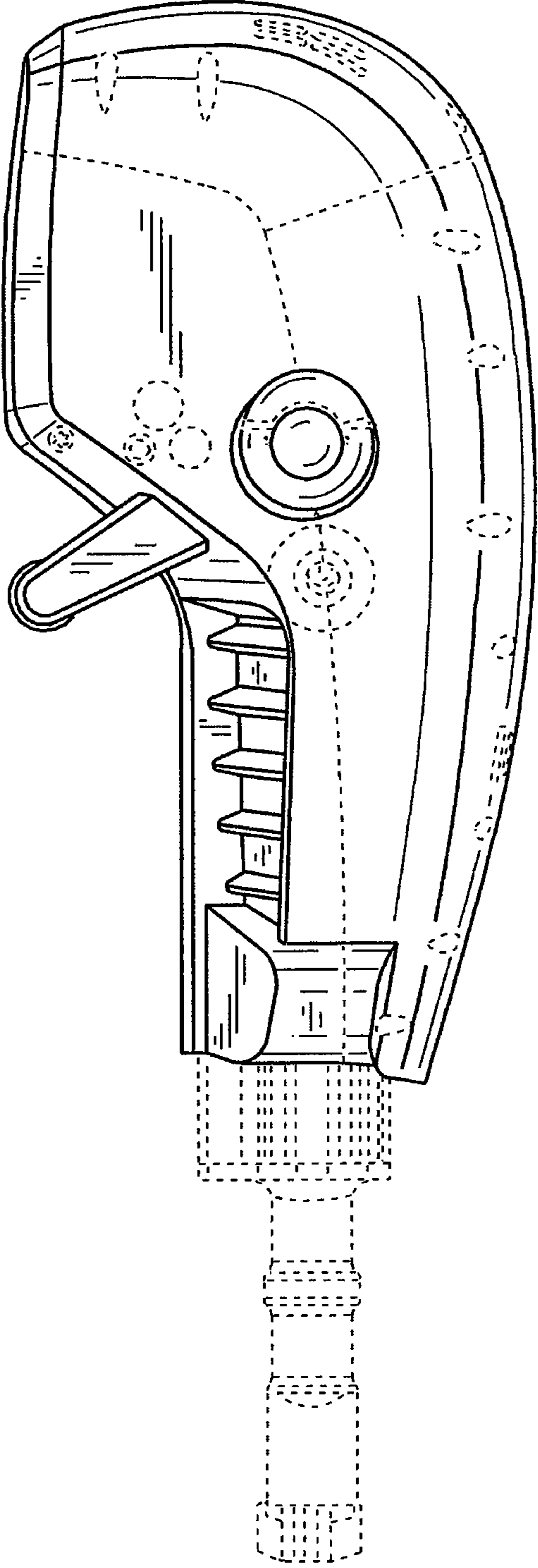


FIG. 6

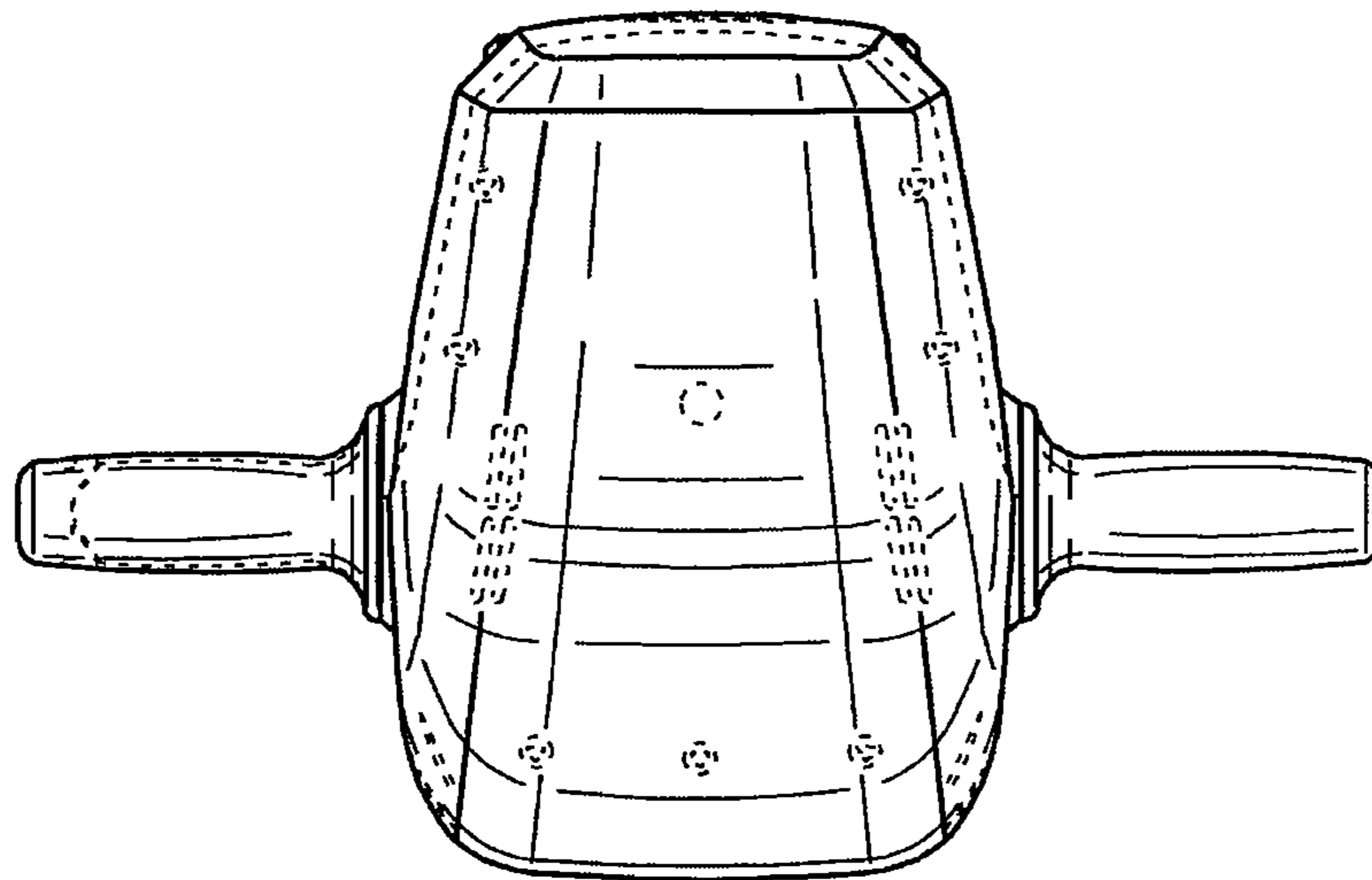


FIG. 7

