



US00D693194S

(12) **United States Design Patent**  
**Petersen et al.**

(10) **Patent No.:** **US D693,194 S**

(45) **Date of Patent:** **\*\* Nov. 12, 2013**

(54) **RECHARGEABLE BOTTLE OPENER**

(75) Inventors: **Christopher M. Petersen**, Milford, NH (US); **Stevenson Tom**, Nashua, NH (US)

(73) Assignee: **Brookstone Purchasing, Inc.**, Merrimack, NH (US)

(\*\*) Term: **14 Years**

(21) Appl. No.: **29/388,830**

(22) Filed: **Apr. 1, 2011**

(51) **LOC (9) Cl.** ..... **07-99**

(52) **U.S. Cl.**  
USPC ..... **D8/36**

(58) **Field of Classification Search**  
USPC ..... D8/14, 16–19, 33–43, 88, 89, 105;  
7/113, 151–156; 30/400–410,  
30/416–430, 433, 434, 443, 450; 81/3.07,  
81/3.09, 3.2, 3.27, 3.29, 3.31, 3.35, 3.37,  
81/3.4, 3.45, 3.48, 3.49, 3.55  
See application file for complete search history.

(56) **References Cited**

**U.S. PATENT DOCUMENTS**

D296,979	S	*	8/1988	Yuen	.....	D8/36
5,351,579	A	*	10/1994	Metz et al.	.....	81/3.2
D435,767	S	*	1/2001	Hotaling et al.	.....	D8/36
D453,453	S	*	2/2002	Lun	.....	
D457,265	S	*	5/2002	Gebhard	.....	D28/9
D475,261	S	*	6/2003	Lee	.....	
6,752,041	B2	*	6/2004	Lee	.....	81/3.2
D561,547	S	*	2/2008	Lee	.....	D8/36
D612,510	S	*	3/2010	Byle	.....	D24/210
D657,643	S	*	4/2012	Mah et al.	.....	D8/40
2011/0138967	A1	*	6/2011	Meyers et al.	.....	81/3.2

**OTHER PUBLICATIONS**

Brookstone, Automatic Wine Opener product manual (Sku No. 650846), First Date of Sale Oct. 2010.  
Brookstone, Automatic Wine Opener product manual (Sku No. 606368), First Date of Sale Sep. 2008.

Sunbeam Products, Inc., Oster Electric Wine Opener (Model No. 4207/4208) product manual, 2005 (Copyright).  
The Sharper Image, Automatic Wine Bottle Opener (Model No. KP-W100) on Amazon, at least as early as Dec. 2009.  
Waring, Waring Pro Cordless Wine Opener (Model No. WO50) on Amazon, at least as early as Nov. 2008.

\* cited by examiner

*Primary Examiner* — Garth Rademaker

(74) *Attorney, Agent, or Firm* — Grossman Tucker Perreault & Pflieger, PLLC

(57) **CLAIM**

The ornamental design for a rechargeable bottle opener, as shown and described.

**DESCRIPTION**

FIG. 1 is a front perspective view of a rechargeable bottle opener.  
FIG. 2 is a rear perspective view thereof.  
FIG. 3 is a front perspective view thereof, showing only the opener portion for ease of disclosure.  
FIG. 4 is a front elevation view thereof.  
FIG. 5 is a rear elevation view thereof.  
FIG. 6 is a right side elevation view thereof.  
FIG. 7 is a left side elevation view thereof.  
FIG. 8 is a top plan view thereof.  
FIG. 9 is a bottom plan view thereof.  
FIG. 10 is a front perspective view of the rechargeable bottle opener, showing only the charging base portion for ease of disclosure.  
FIG. 11 is a front elevation view thereof, shown at an enlarged scale.  
FIG. 12 is a rear elevation view thereof.  
FIG. 13 is a right side elevation view thereof.  
FIG. 14 is a left side elevation view thereof.  
FIG. 15 is a top plan view thereof; and,  
FIG. 16 is a bottom plan view thereof.  
The broken lines depict portions of the rechargeable bottle opener which form no part of the claimed design.

**1 Claim, 11 Drawing Sheets**

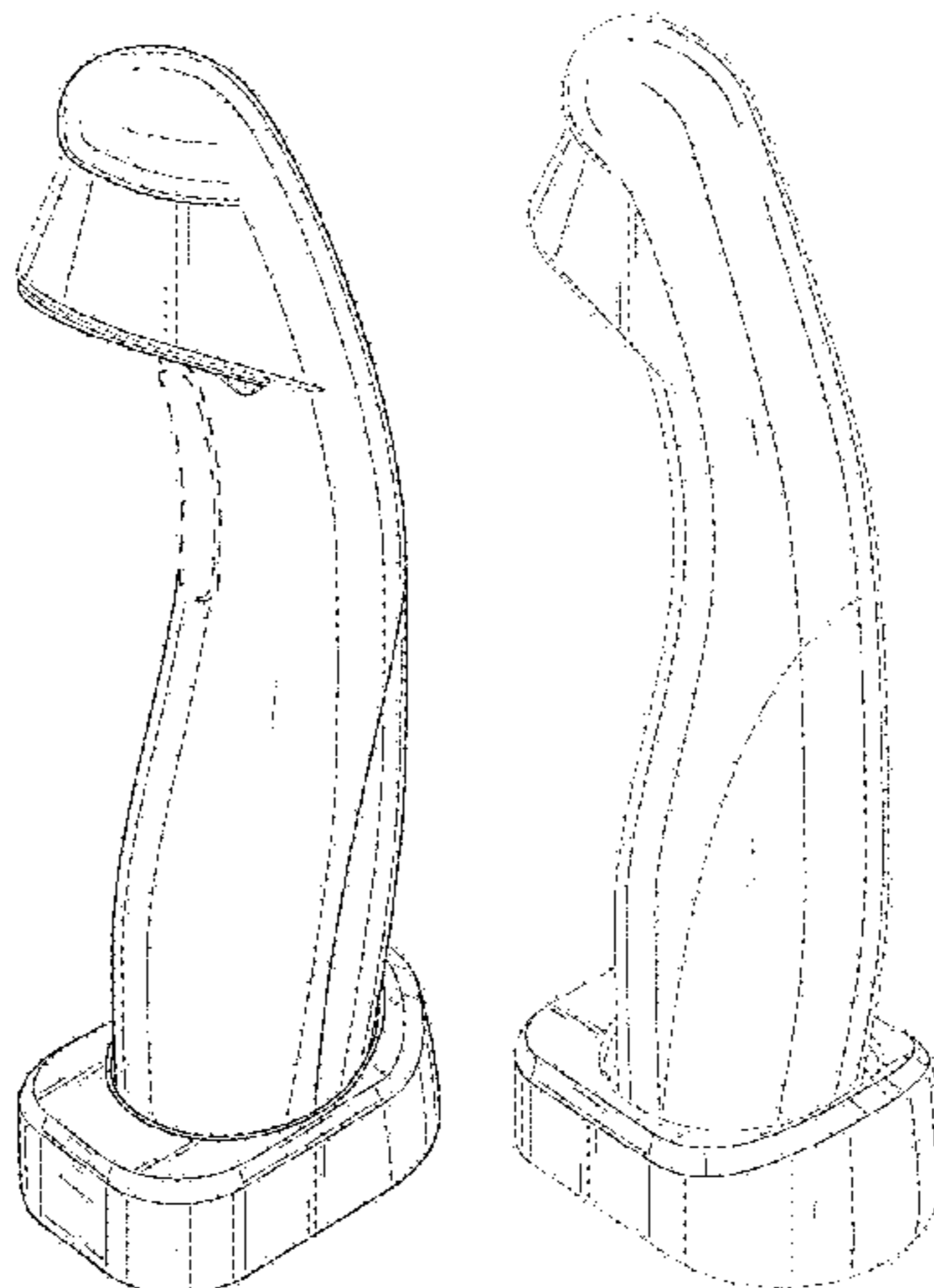


Figure 1

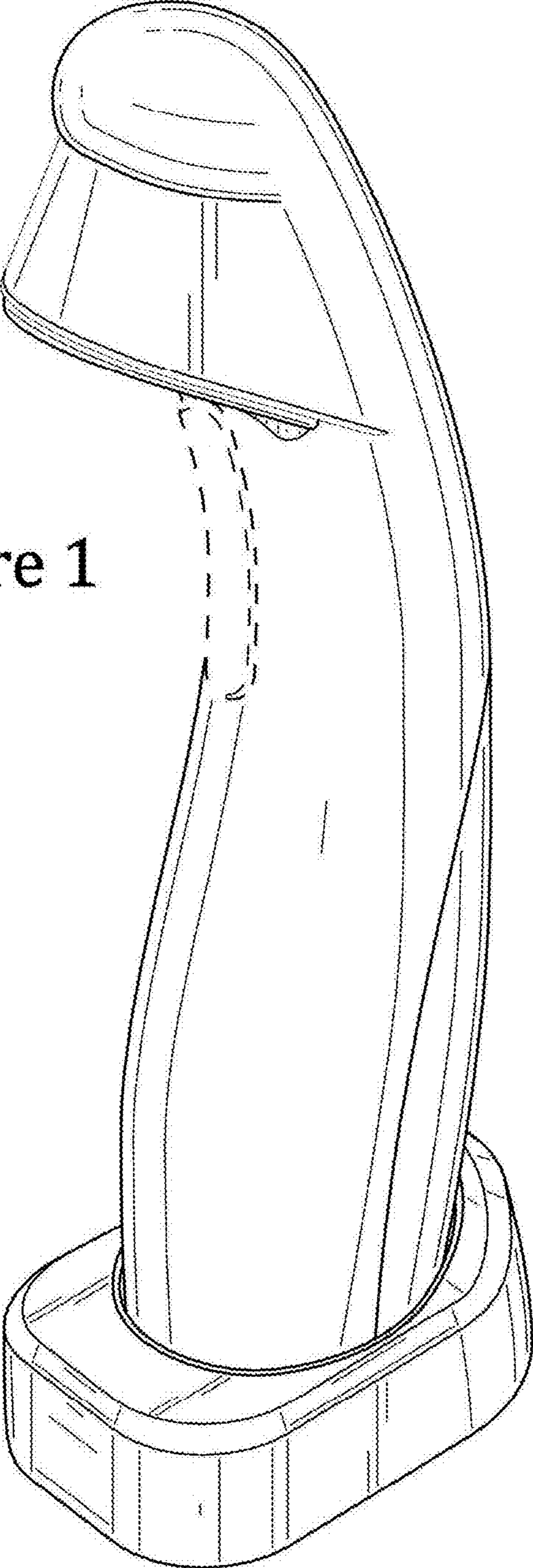


Figure 2

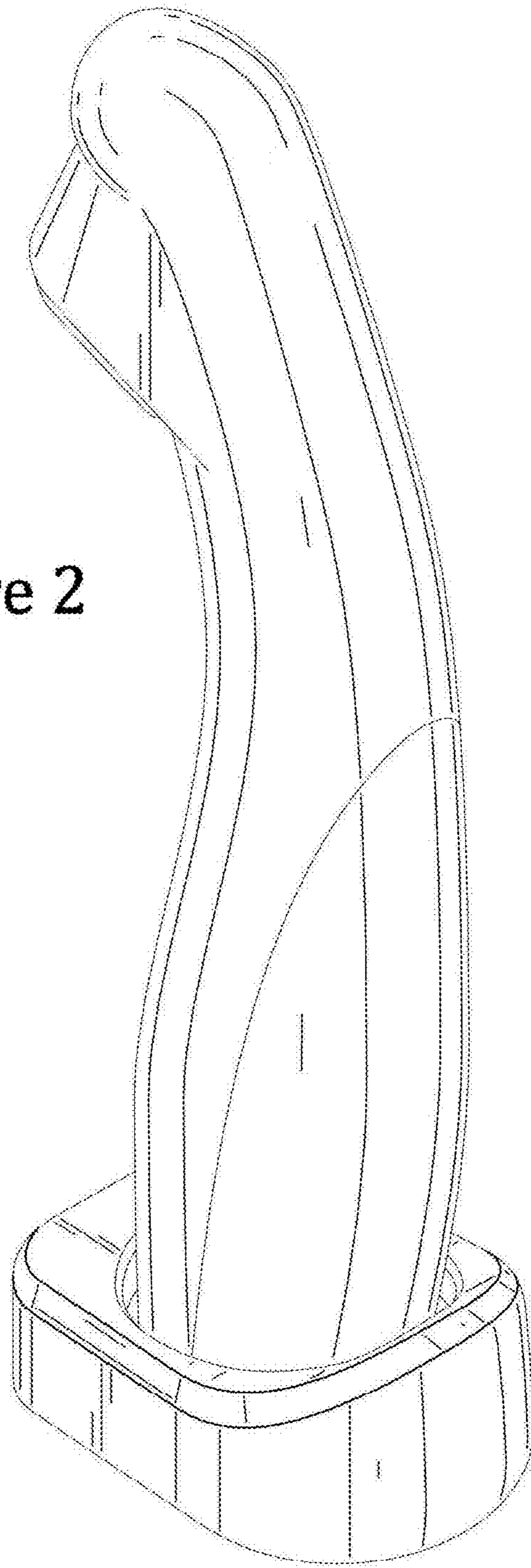
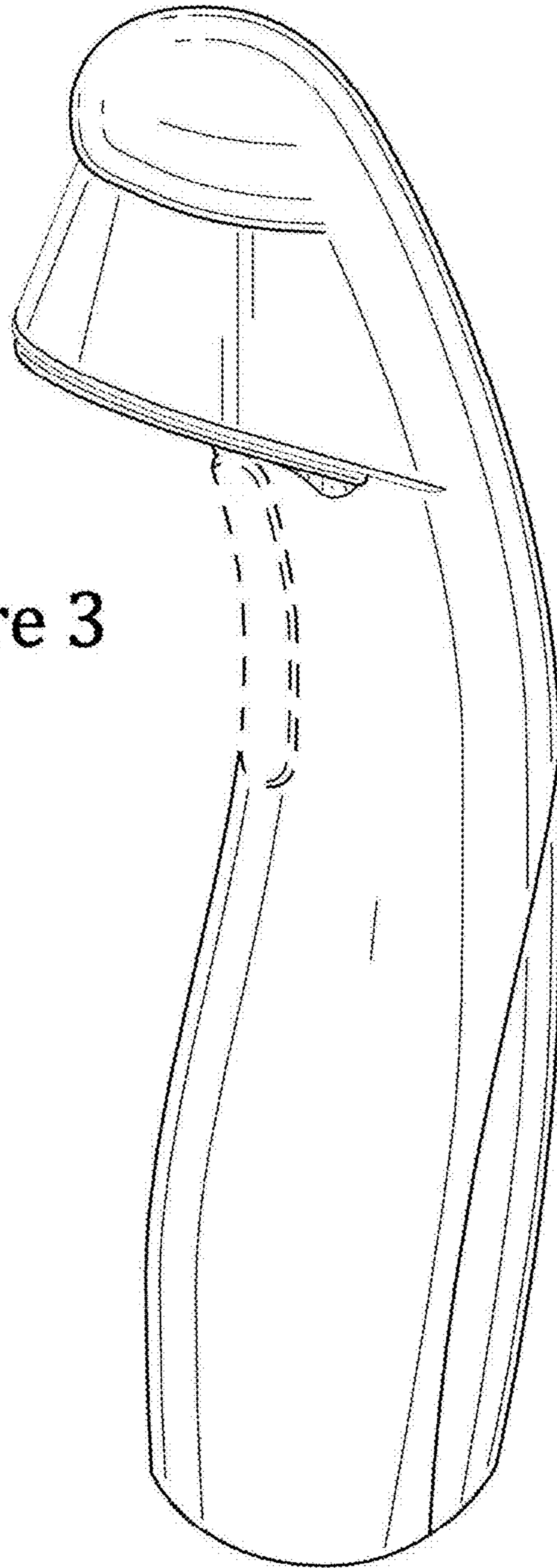


Figure 3



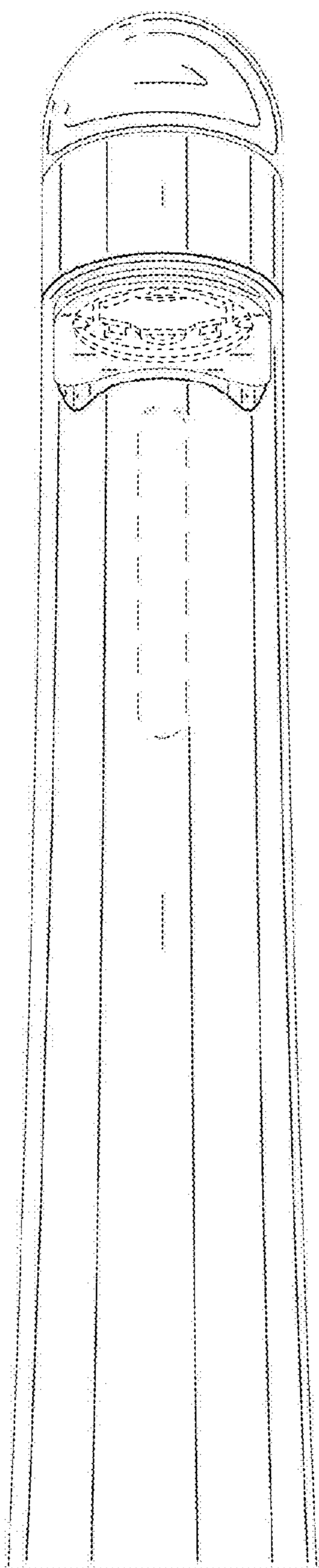


Figure 4

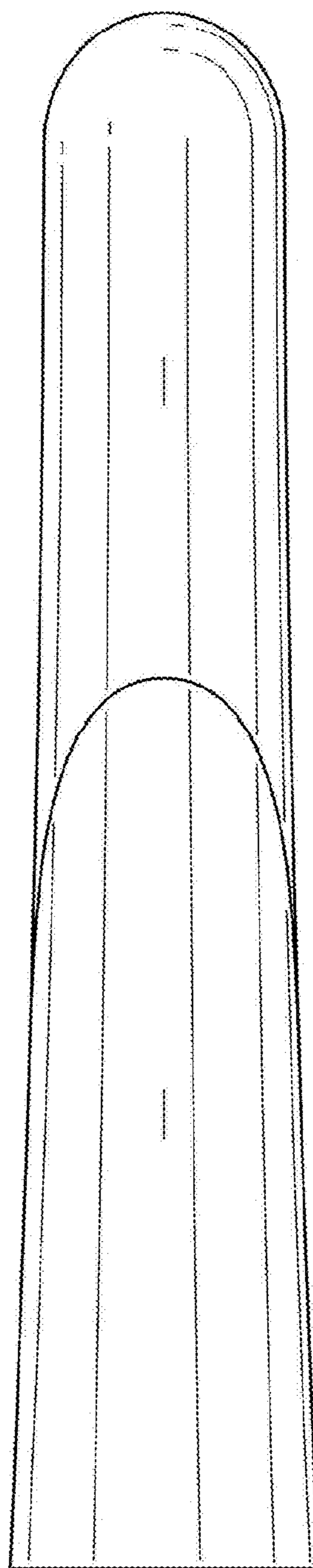


Figure 5

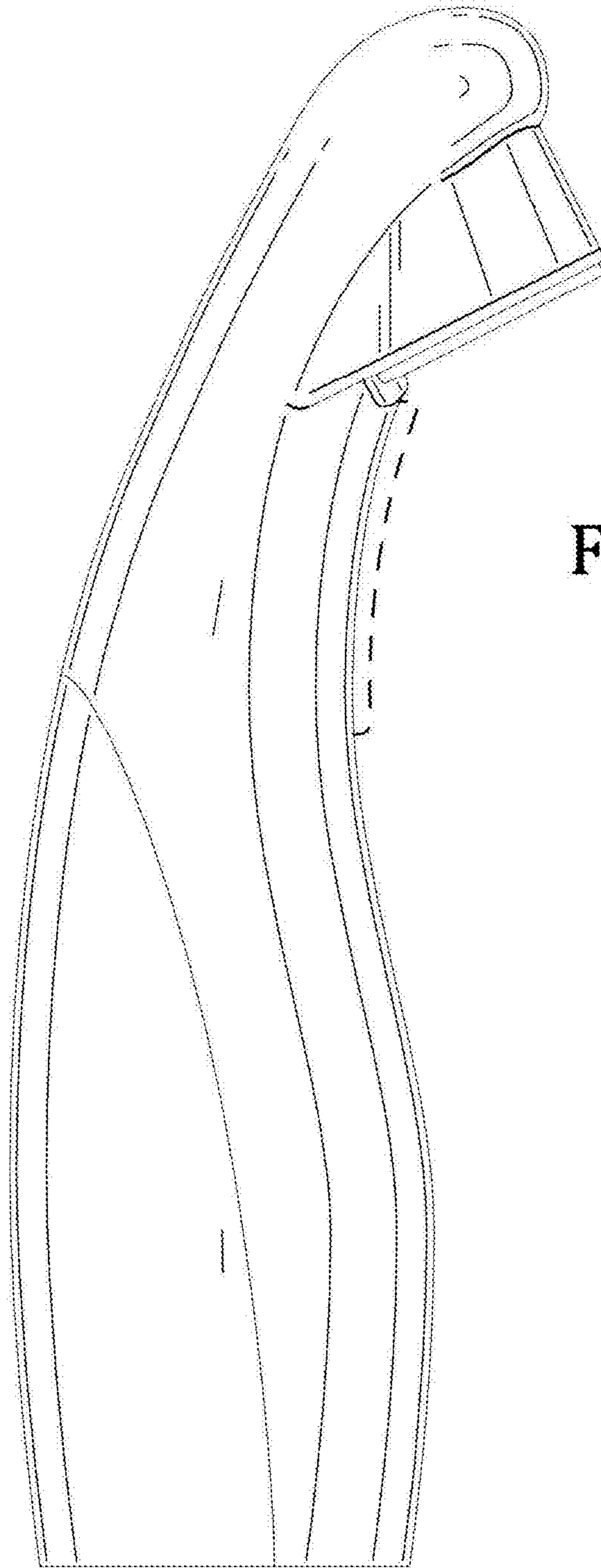
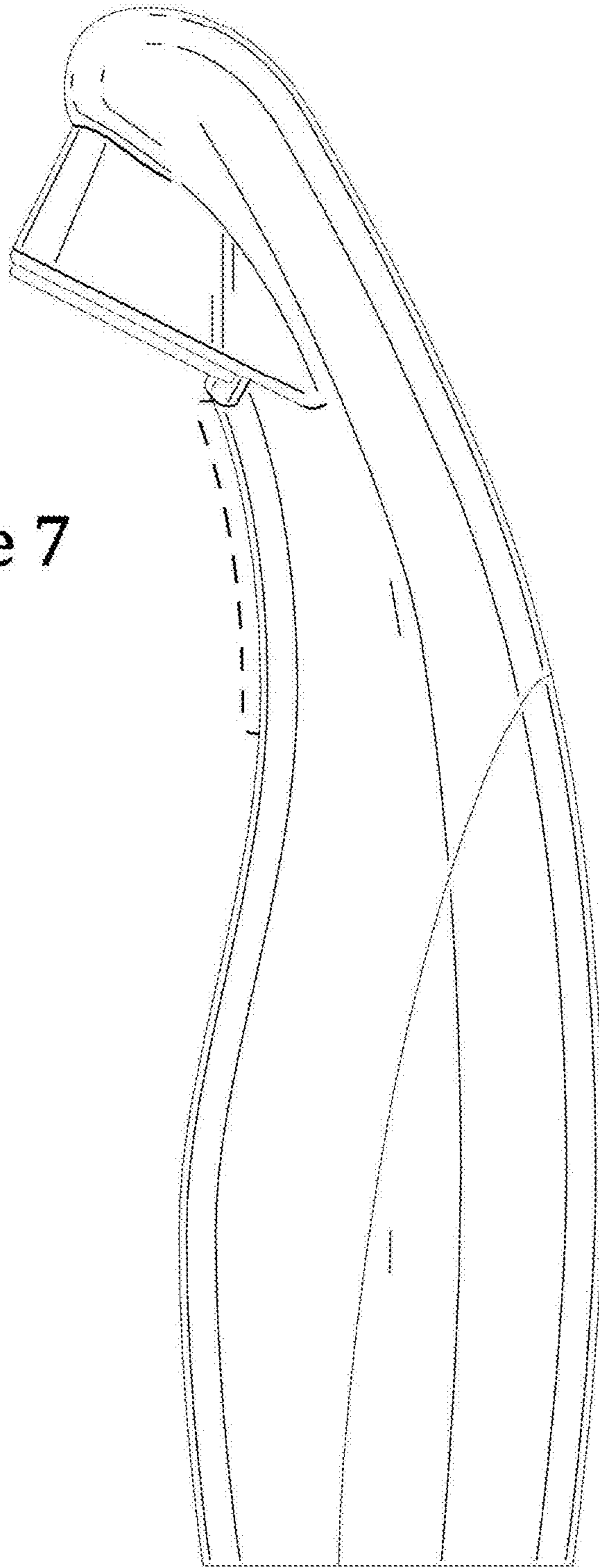


Figure 6

Figure 7



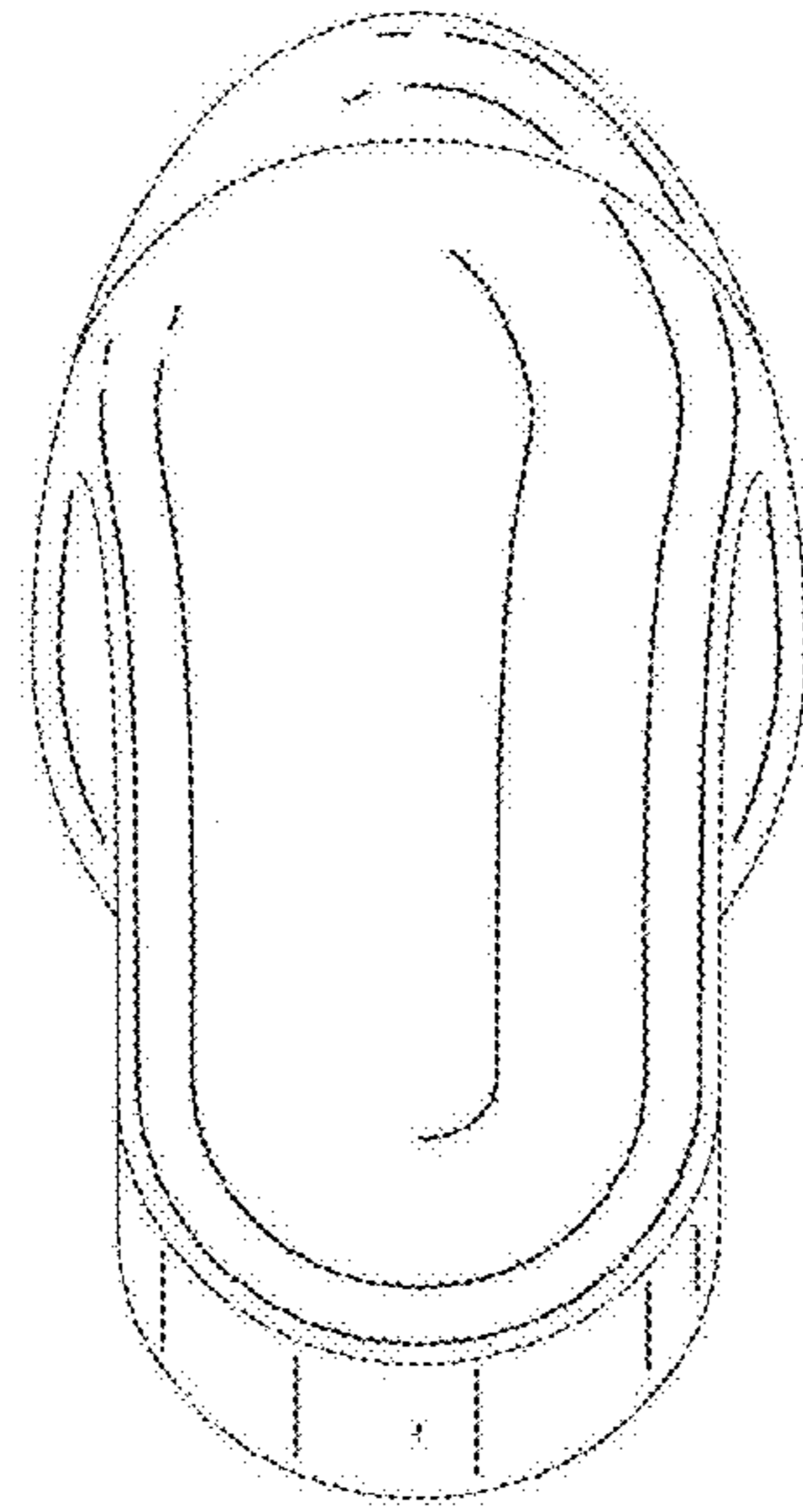


Figure 8

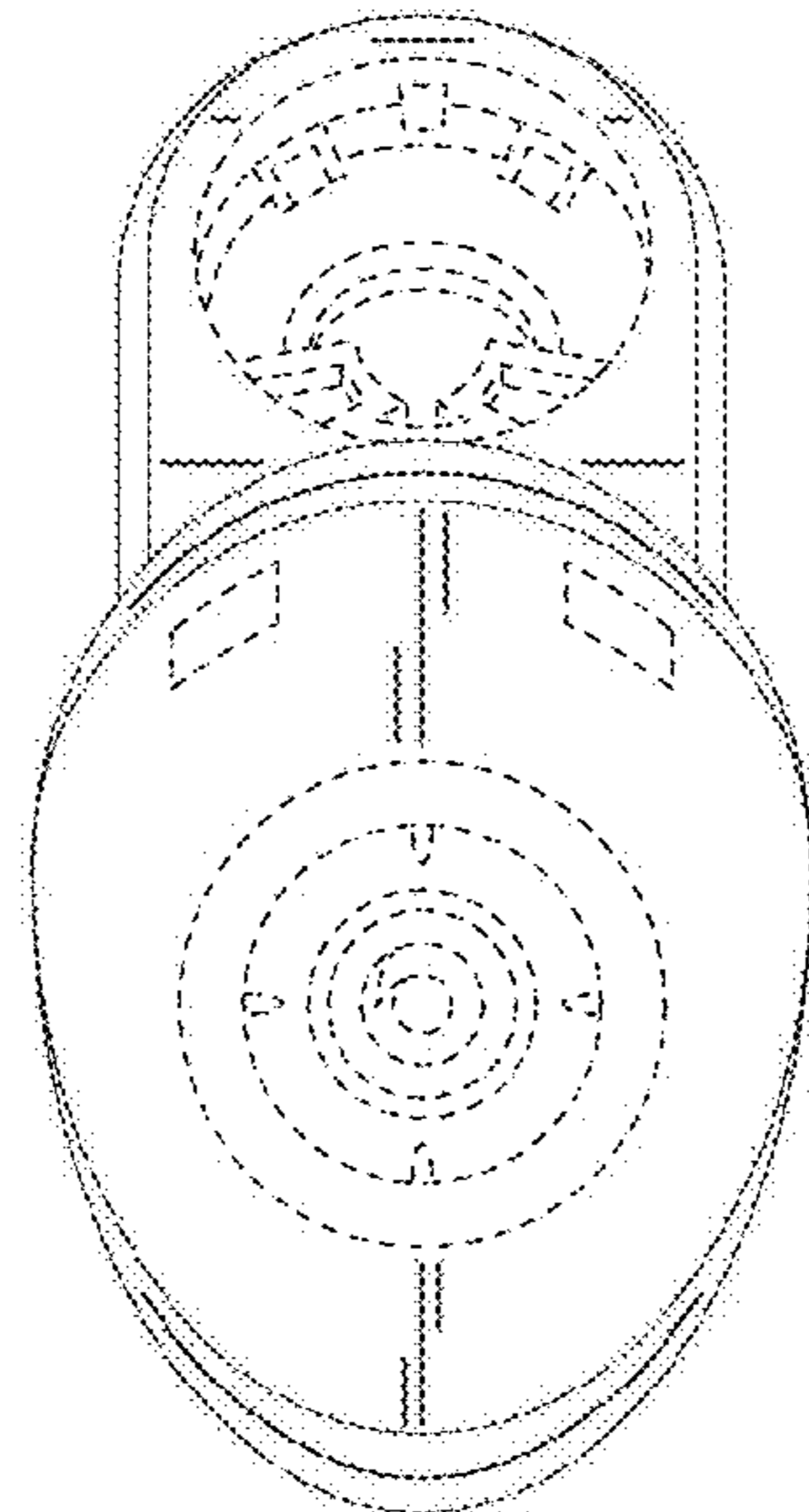


Figure 9



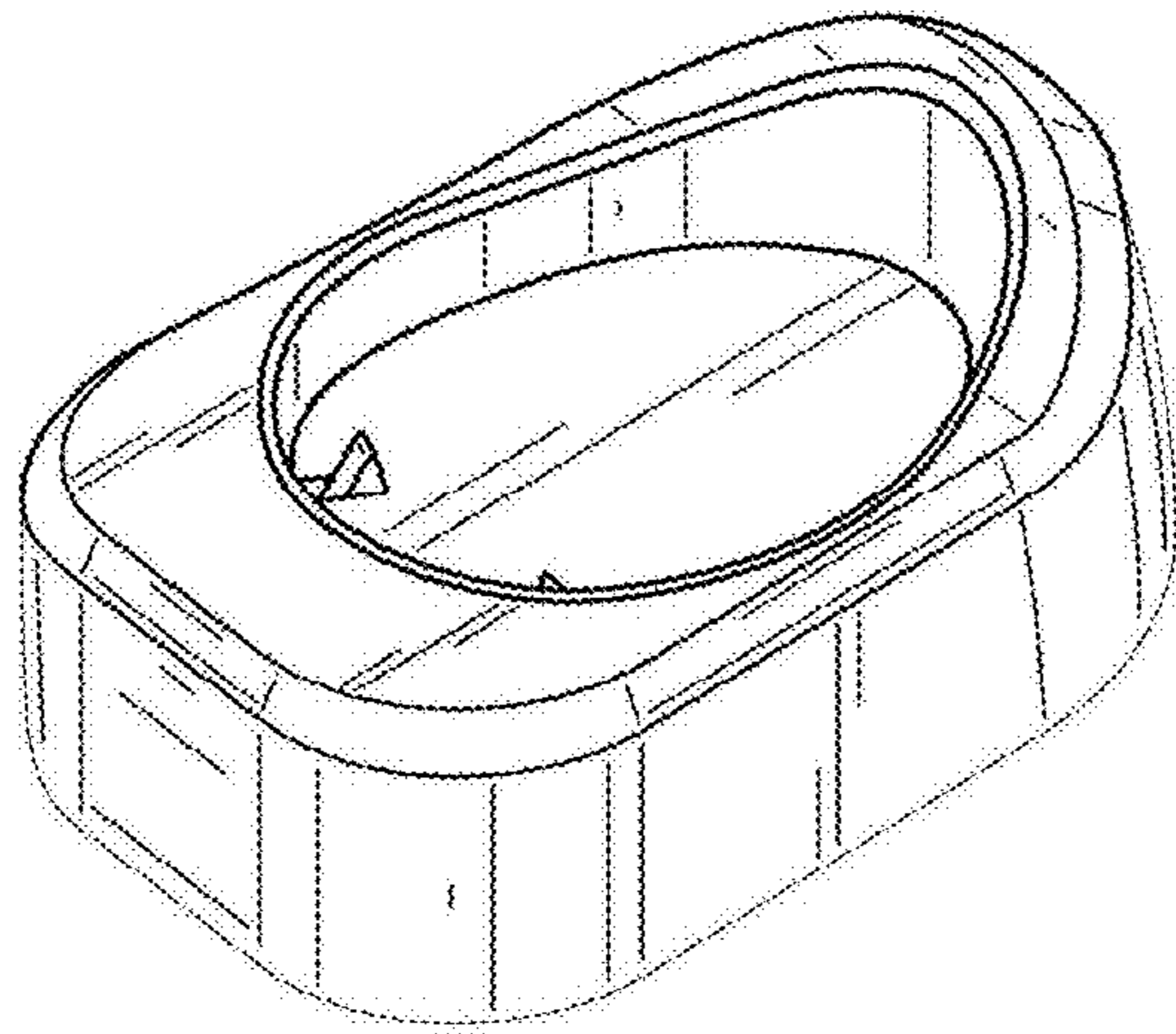


Figure 10

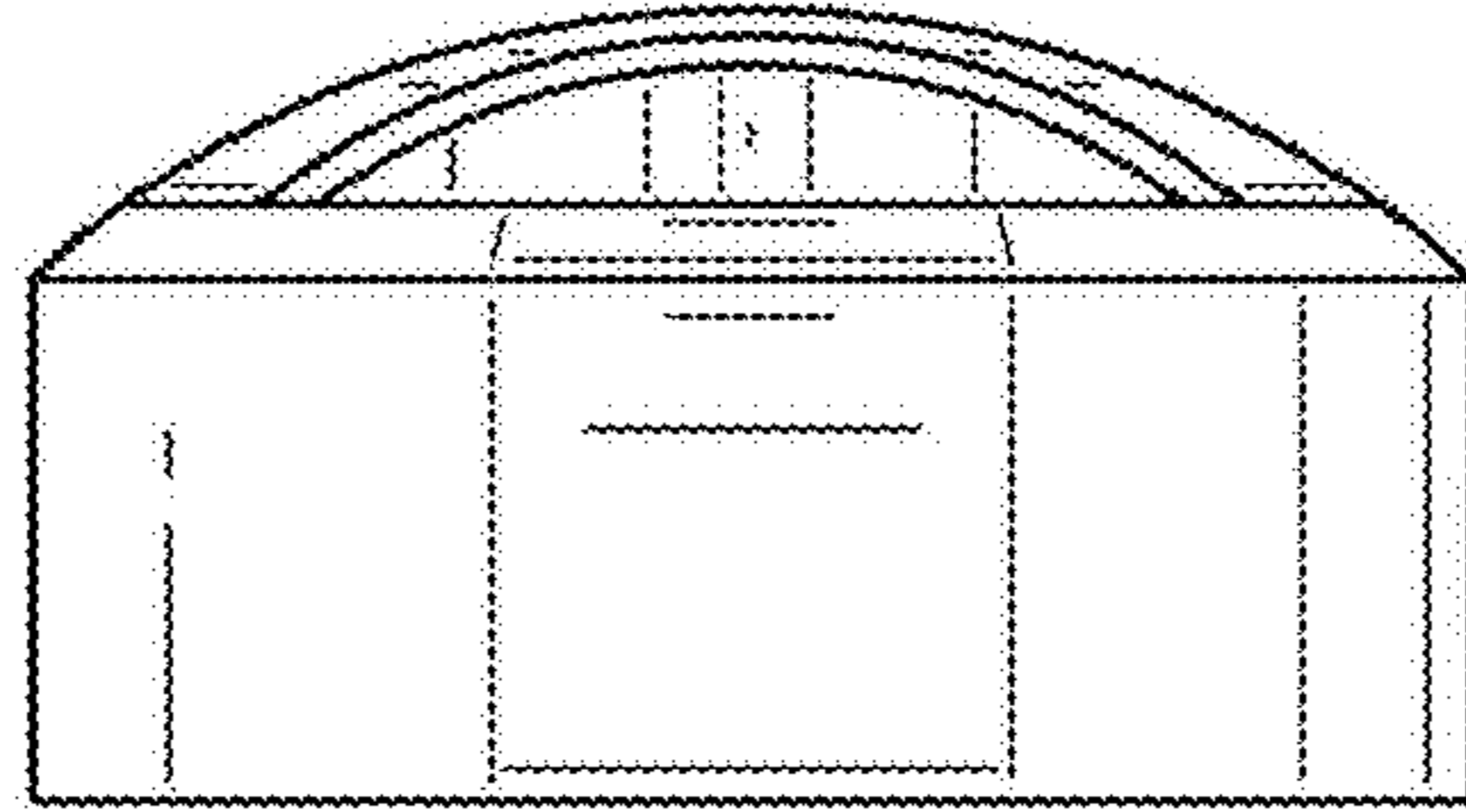


Figure 11

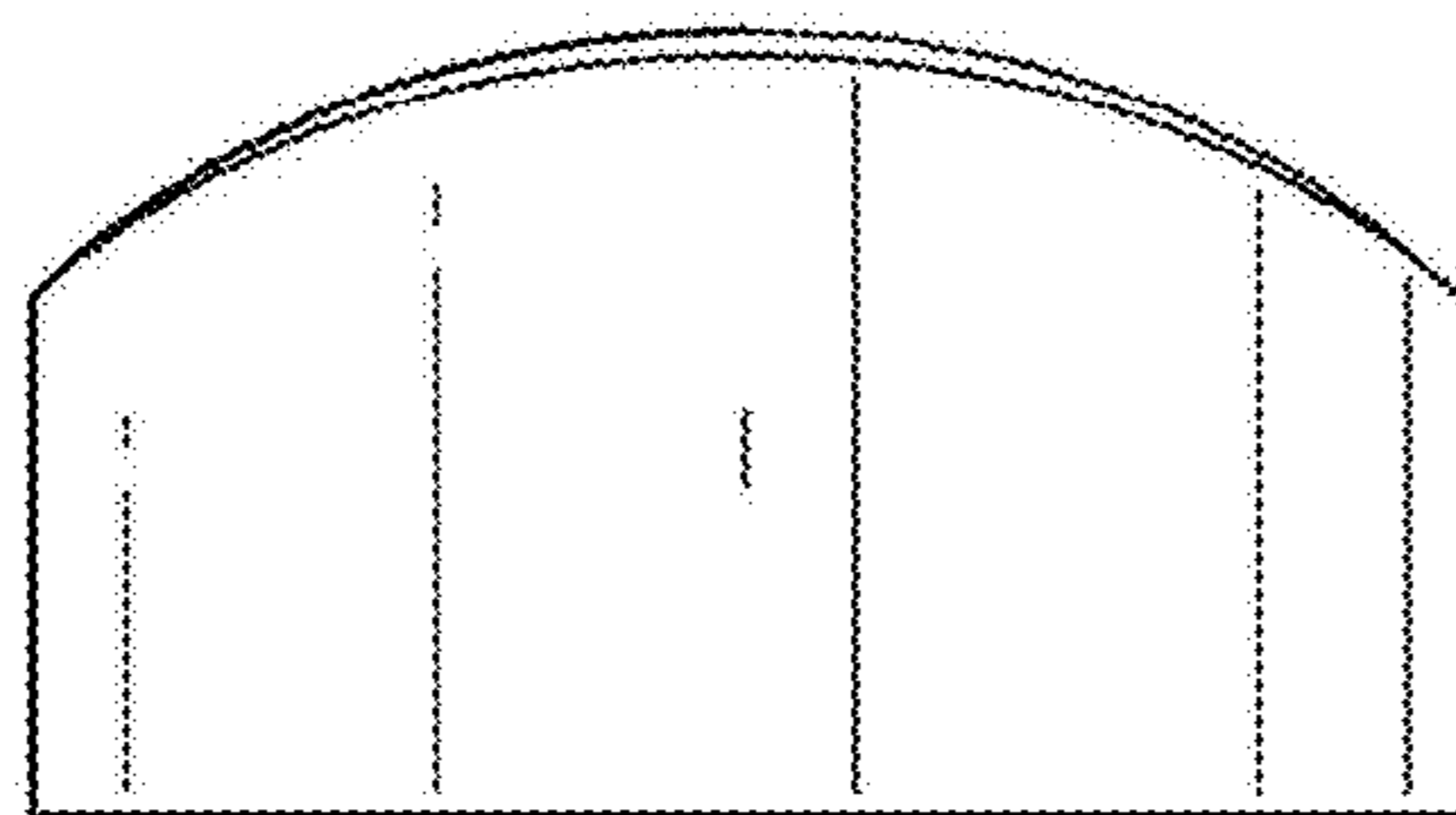


Figure 12

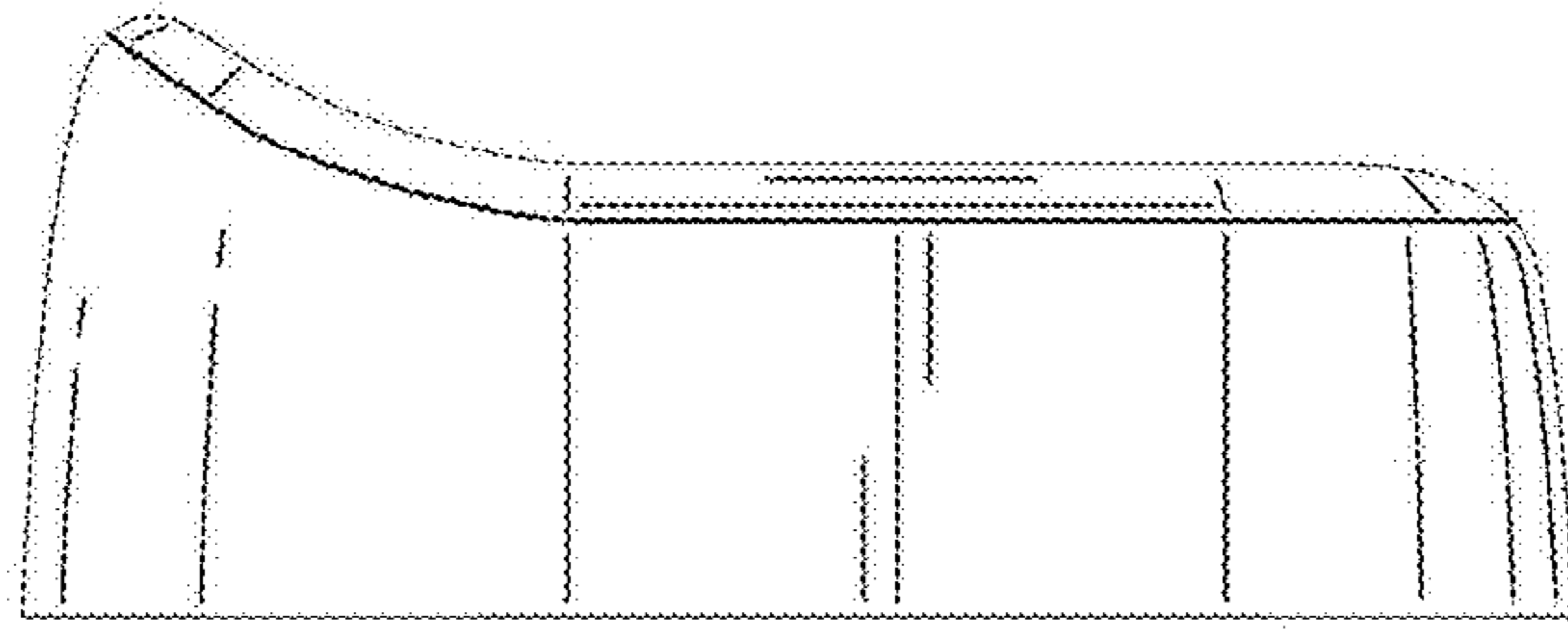


Figure 13

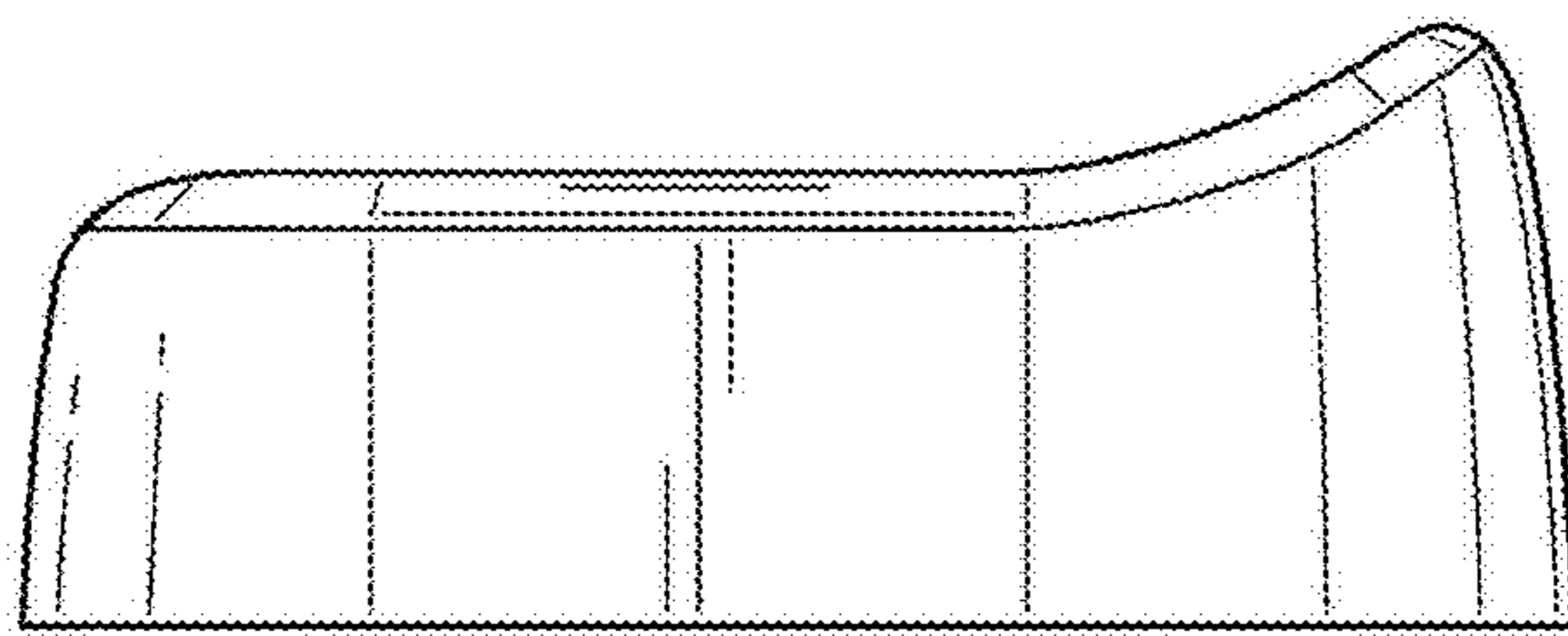


Figure 14

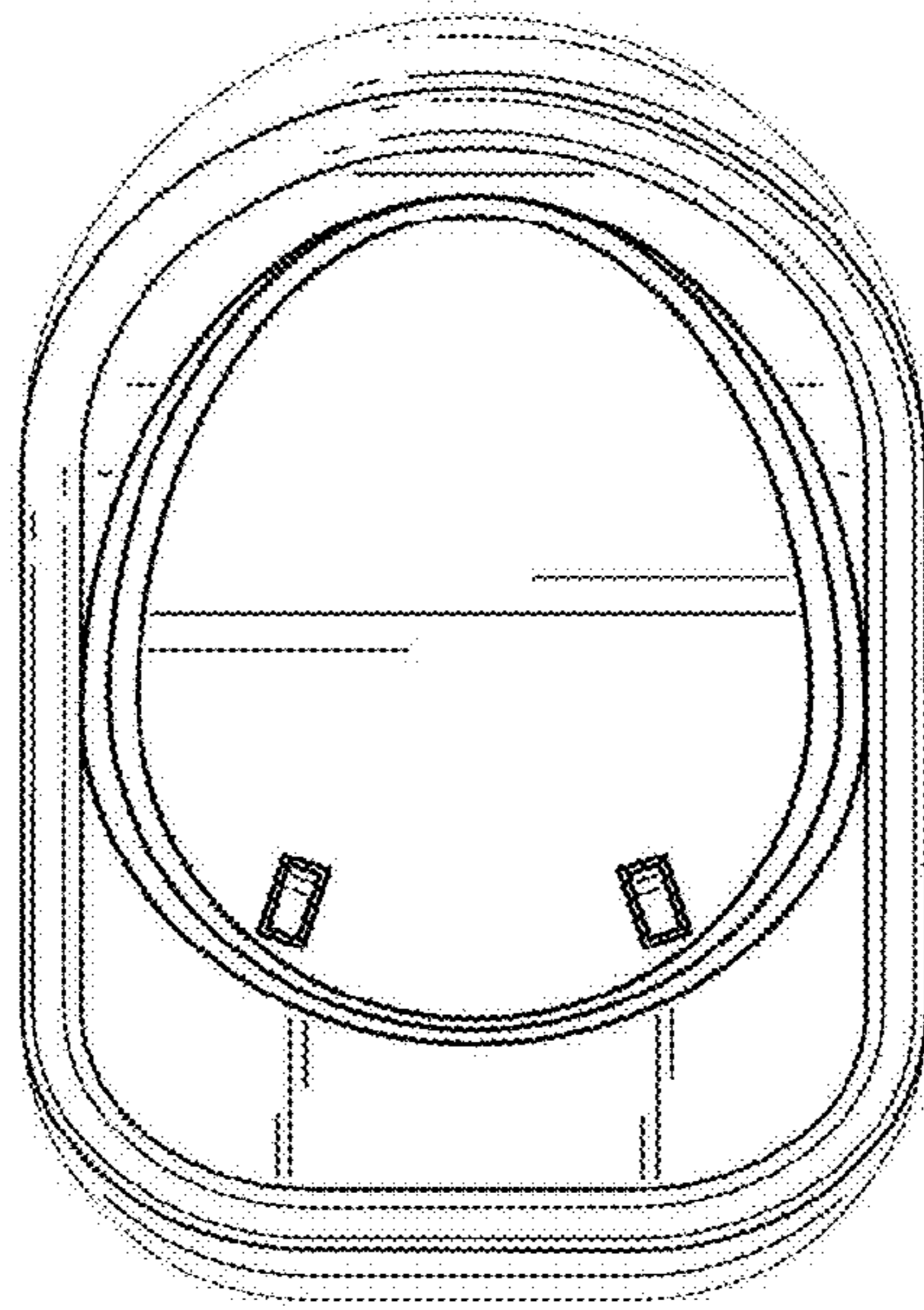


Figure 15

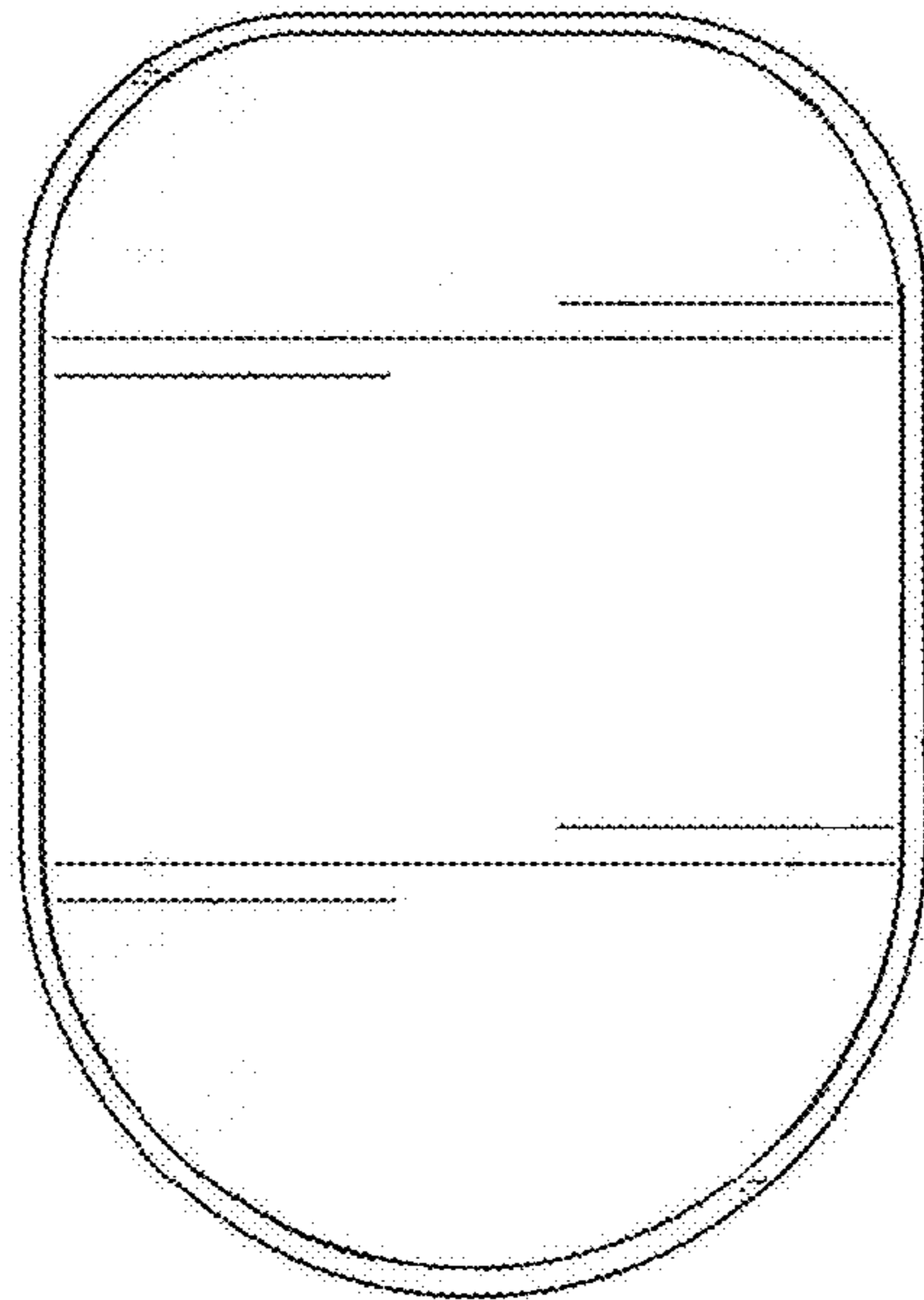


Figure 16