



US00D693190S

(12) **United States Design Patent**  
**Spector**

(10) **Patent No.:** **US D693,190 S**

(45) **Date of Patent:** **\*\* Nov. 12, 2013**

(54) **COMBINED MALLET AND BOTTLE OPENER**

(74) *Attorney, Agent, or Firm* — J.A. Lindeman & Co., PLLC

(76) Inventor: **Scott L. Spector**, Easton, MD (US)

(\*\*) Term: **14 Years**

(57) **CLAIM**

(21) Appl. No.: **29/415,744**

The ornamental design for a combined mallet and bottle opener, as shown and described.

(22) Filed: **Mar. 14, 2012**

(51) **LOC (9) Cl.** ..... **07-04**

(52) **U.S. Cl.**  
USPC ..... **D7/682**; D8/34; D8/81

(58) **Field of Classification Search**  
USPC ..... D7/368, 669, 682, 387, 393; D8/77, 78, D8/80, 81, 105, 107, 20, 26, 16, 18, 33, 34, D8/40, 75; 452/146; 7/109, 110; 173/90  
See application file for complete search history.

**DESCRIPTION**

FIG. 1 is a front and left side perspective view of the combined mallet and bottle opener in accordance with an embodiment of the combined mallet and bottle opener;  
FIG. 2 is a rear and right side perspective view of the combined mallet and bottle opener of FIG. 1;  
FIG. 3 is a rear view of the combined mallet and bottle opener of FIG. 1;  
FIG. 4 is a front view of the combined mallet and bottle opener of FIG. 1;  
FIG. 5 is a left side view of the combined mallet and bottle opener of FIG. 1;  
FIG. 6 is a right side view of a combined mallet and bottle opener of FIG. 1;  
FIG. 7 is a top view of the combined mallet and bottle opener of FIG. 1; and,  
FIG. 8 is a bottom view of the combined mallet and bottle opener of FIG. 1.

(56) **References Cited**

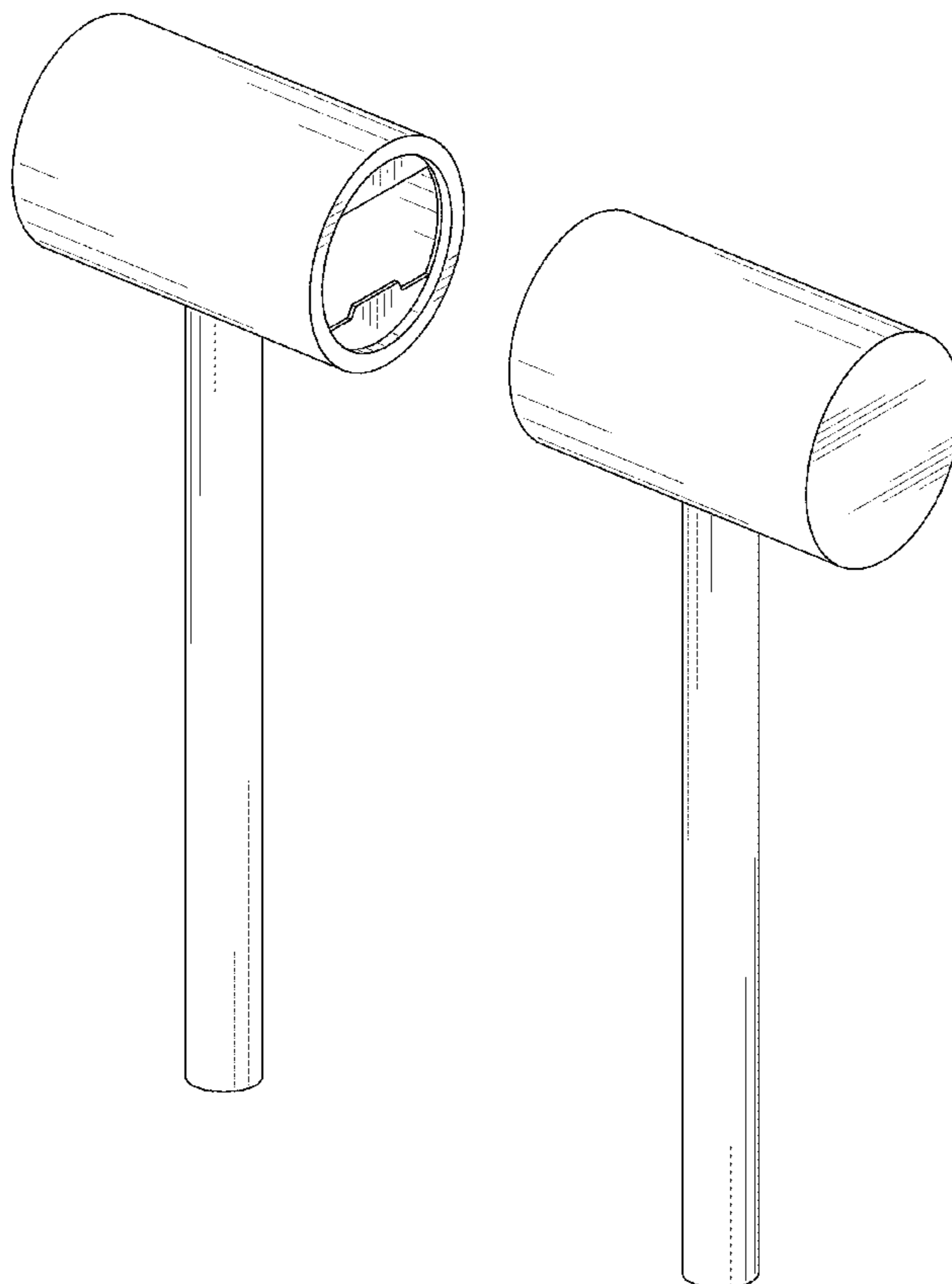
U.S. PATENT DOCUMENTS

2,019,009	A *	10/1935	Hendrix	.....	452/146
D299,404	S *	1/1989	Demanczyk, Jr.	.....	D7/682
5,593,346	A *	1/1997	Washington	.....	452/146
D506,905	S *	7/2005	Lee	.....	D7/682
D533,619	S *	12/2006	Kaloustian	.....	D22/117

\* cited by examiner

*Primary Examiner* — Ian Simmons  
*Assistant Examiner* — Eleni H Aldridge

**1 Claim, 4 Drawing Sheets**



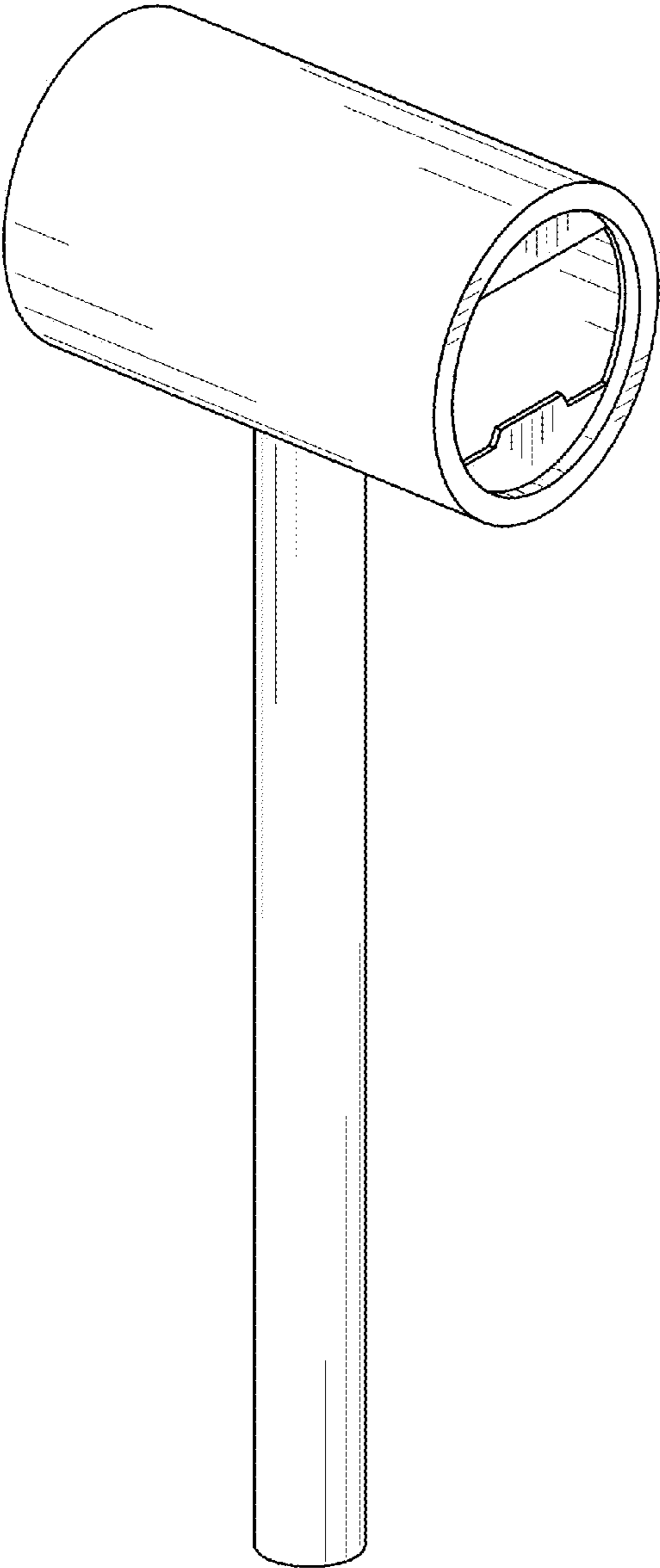


FIG. 1

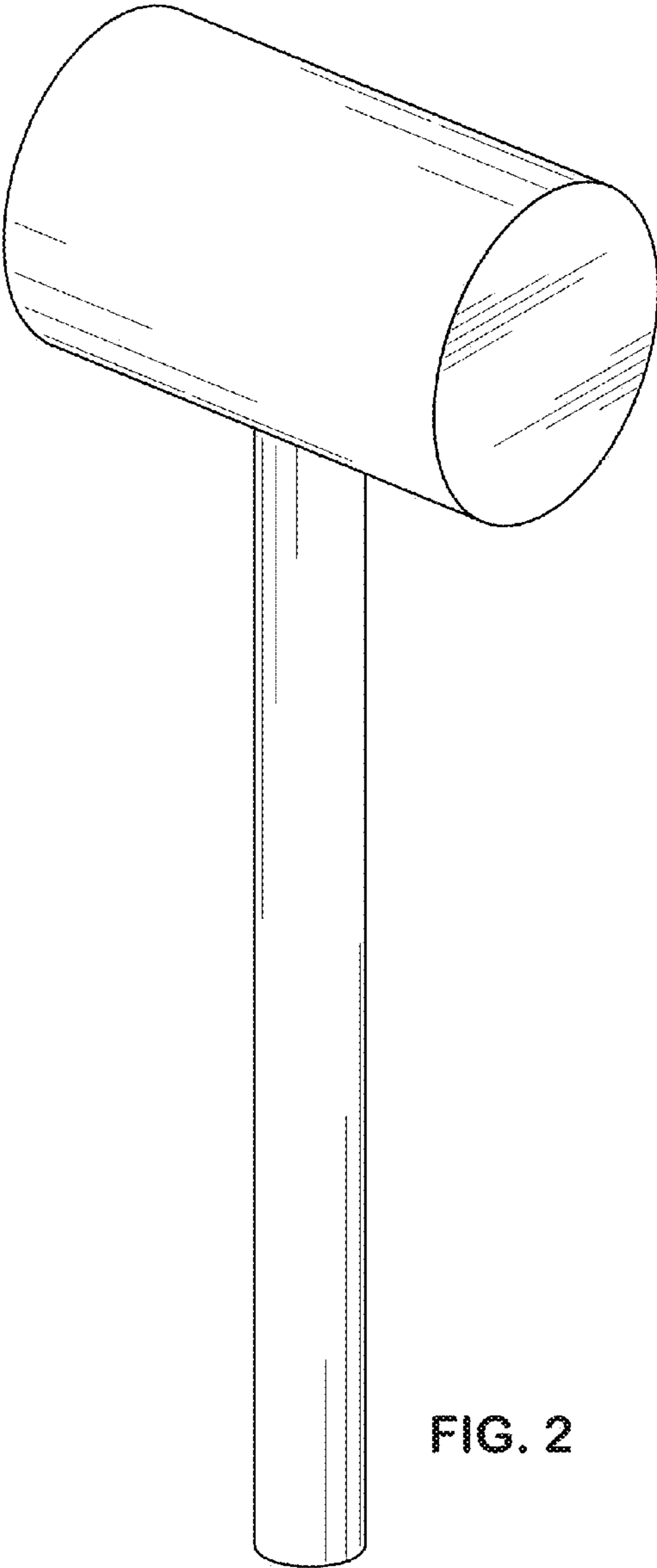


FIG. 2

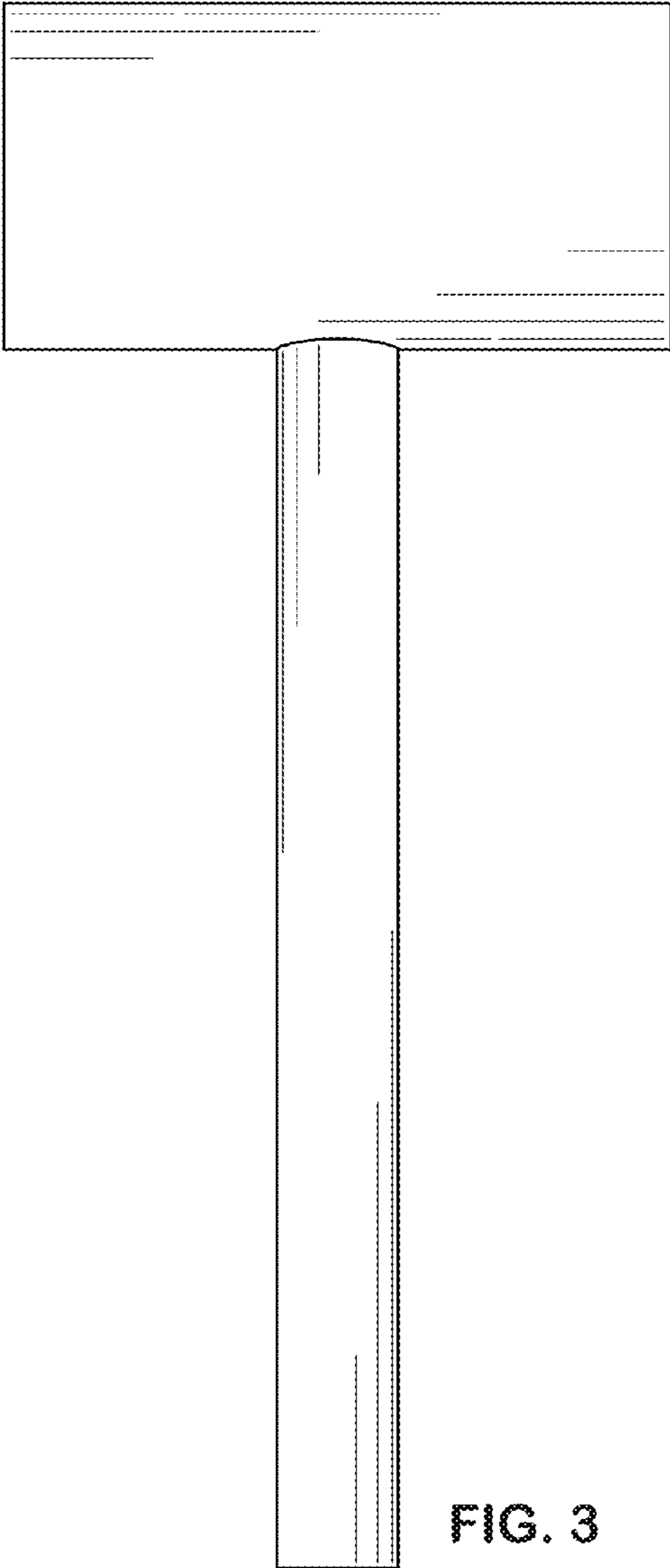


FIG. 3

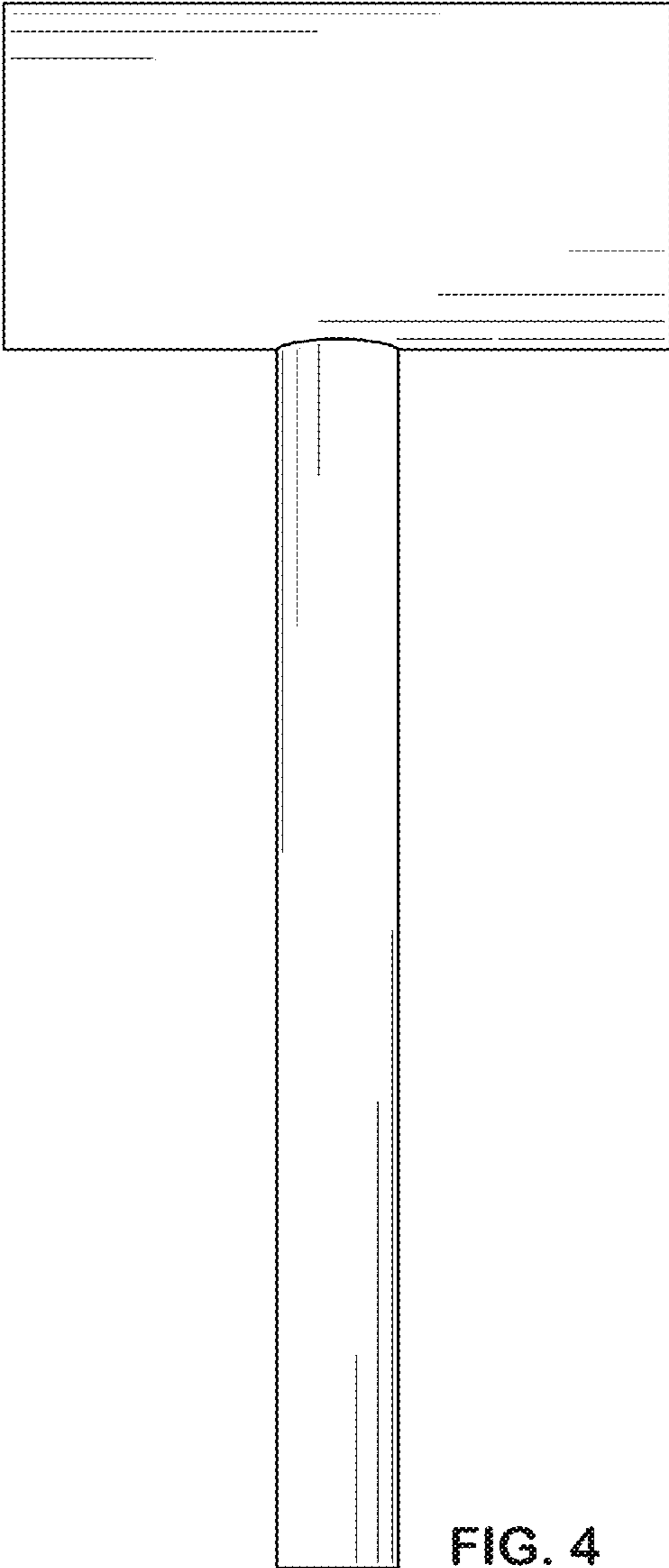
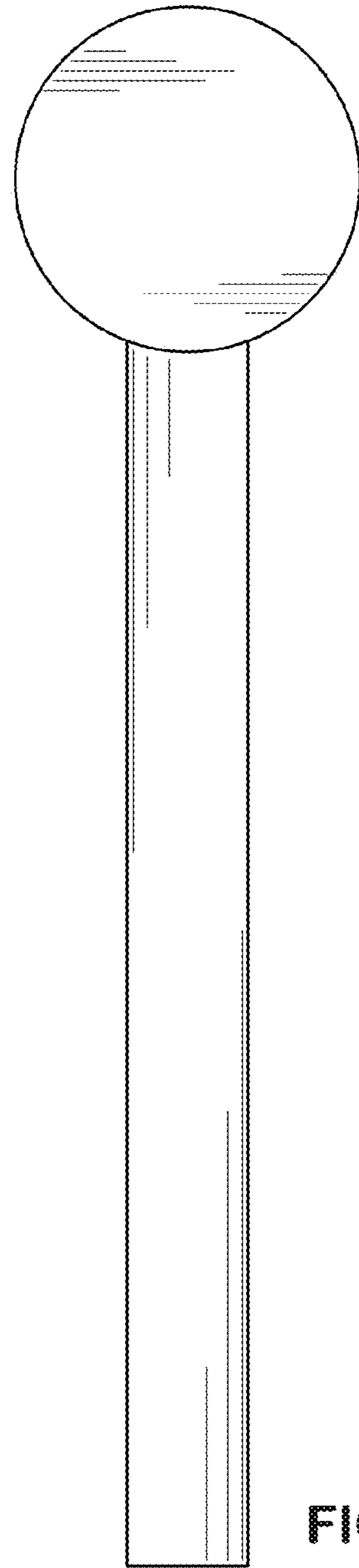
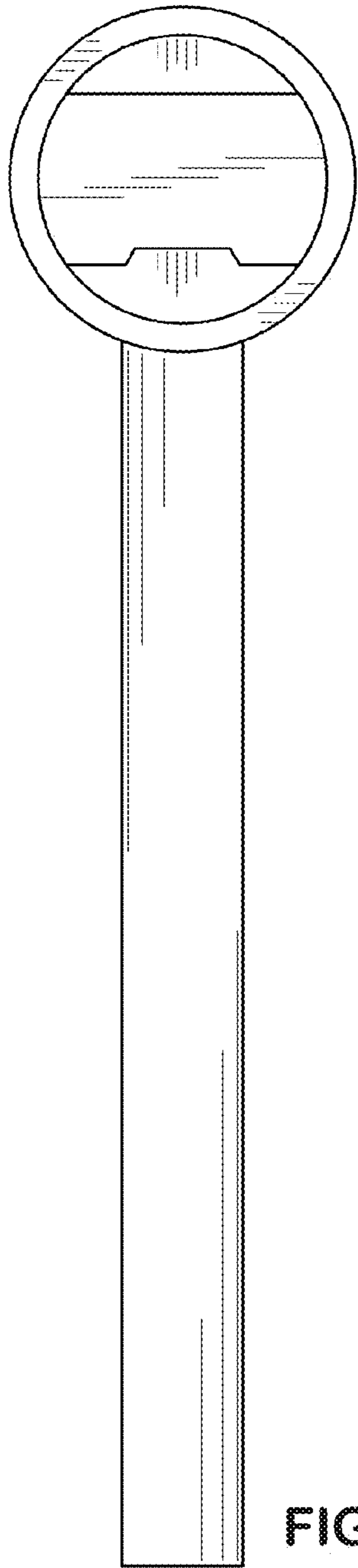


FIG. 4



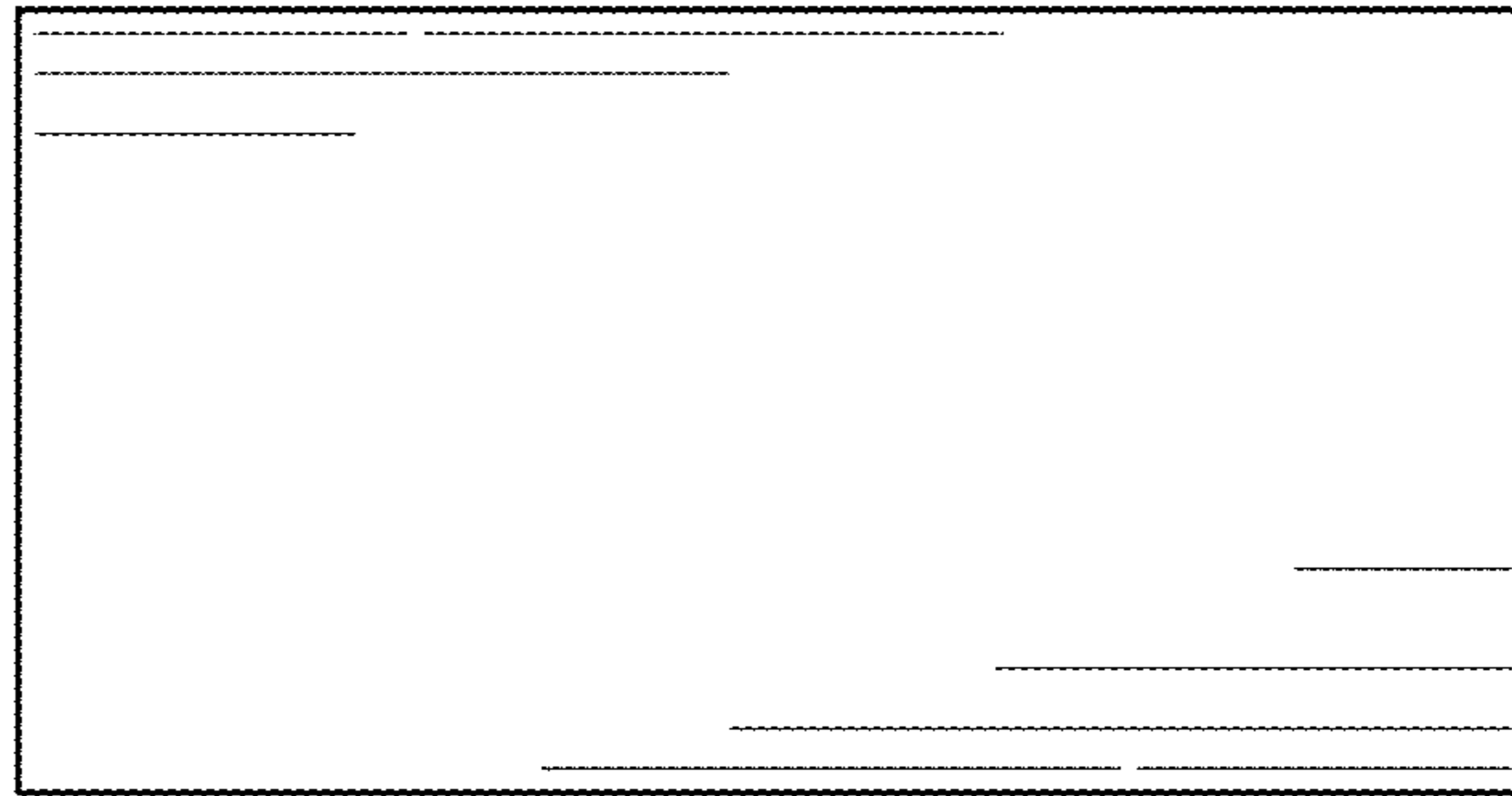


FIG. 7

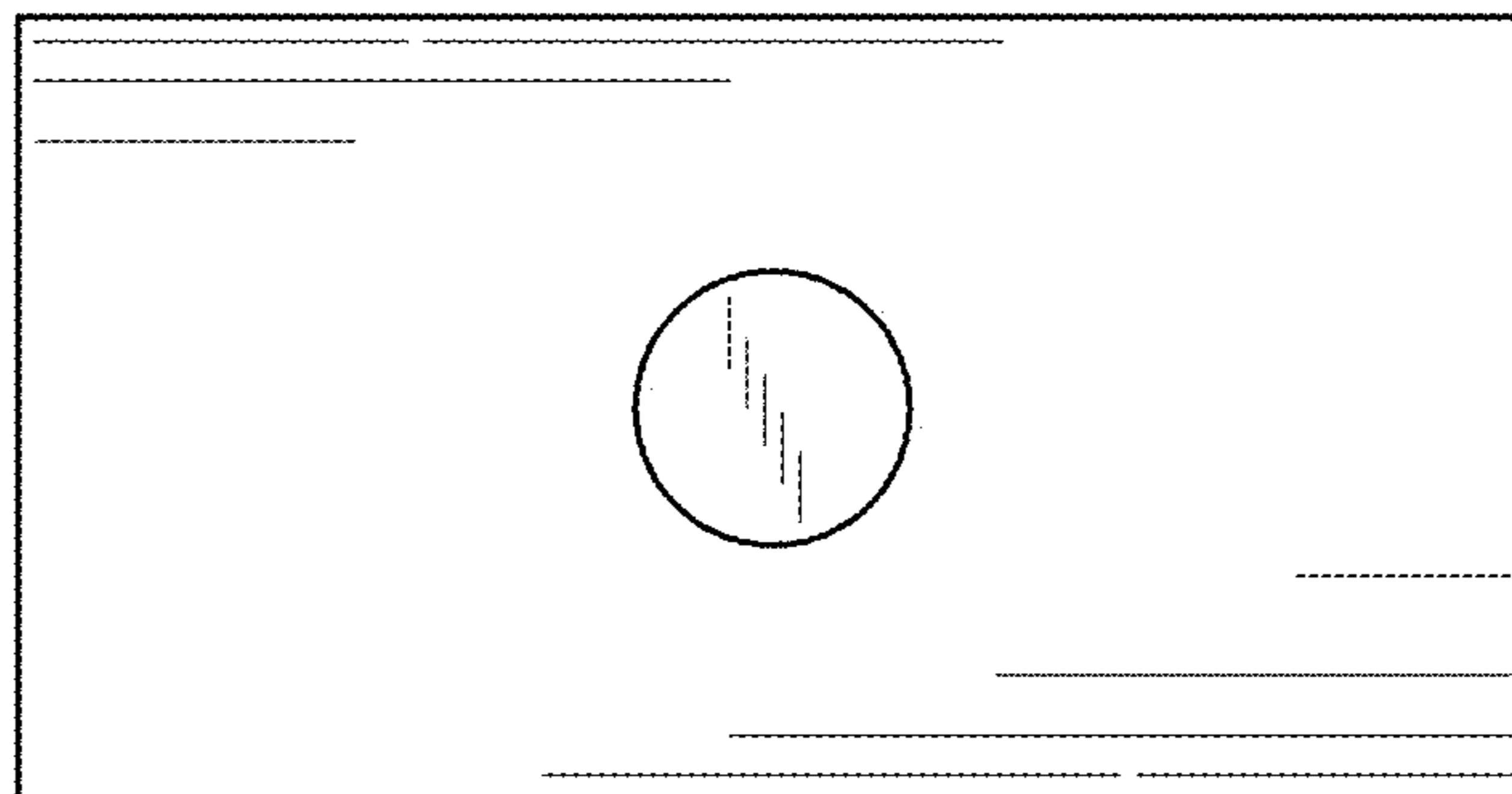


FIG. 8