

US00D693186S

(12) **United States Design Patent**
Hollinger

(10) **Patent No.:** **US D693,186 S**

(45) **Date of Patent:** **** Nov. 12, 2013**

(54) **MULTI-PURPOSE KNIFE**

(71) Applicant: **E. Mishan & Sons, Inc.**, New York, NY
(US)

(72) Inventor: **Fred Hollinger**, Monroe Township, NJ
(US)

(73) Assignee: **E. Mishan & Sons, Inc.**, New York, NY
(US)

(**) Term: **14 Years**

(21) Appl. No.: **29/448,524**

(22) Filed: **Mar. 13, 2013**

(51) **LOC (9) Cl.** **07-03**

(52) **U.S. Cl.**
USPC **D7/650; D7/649**

(58) **Field of Classification Search**
USPC D7/368, 393-395, 401.2, 642-646,
D7/649-654, 660-664, 669, 675-676, 683,
D7/688-692, 695-696; D8/25, 83, 98-99,
D8/107, 303; D22/118; D24/147; 30/115,
30/137, 141-143, 147-150, 322-327, 329,
30/335, 340, 342-348, 355; 83/835;
416/70 R

See application file for complete search history.

(56) **References Cited**

U.S. PATENT DOCUMENTS

3,024,533	A *	3/1962	Nitsch	30/355
D248,166	S *	6/1978	Kanai	D24/147
D248,167	S *	6/1978	Kanai	D24/147
D269,244	S *	6/1983	Becher et al.	D7/650
4,823,467	A *	4/1989	Campbell et al.	30/355
D302,092	S *	7/1989	Cohen et al.	D7/650
D372,648	S *	8/1996	Cohen et al.	D7/650
D409,269	S *	5/1999	Carson et al.	D22/118
D417,132	S *	11/1999	Schneider	D8/107
6,108,915	A *	8/2000	Verdier et al.	30/355
D442,841	S *	5/2001	Balolia	D8/99

D445,313	S *	7/2001	Jorge	D7/649
D464,551	S *	10/2002	Glesser	D8/98
D469,666	S *	2/2003	Chen	D7/649

(Continued)

Primary Examiner — Ricky Pham

(74) *Attorney, Agent, or Firm* — Notaro, Michalos & Zaccaria P.C.

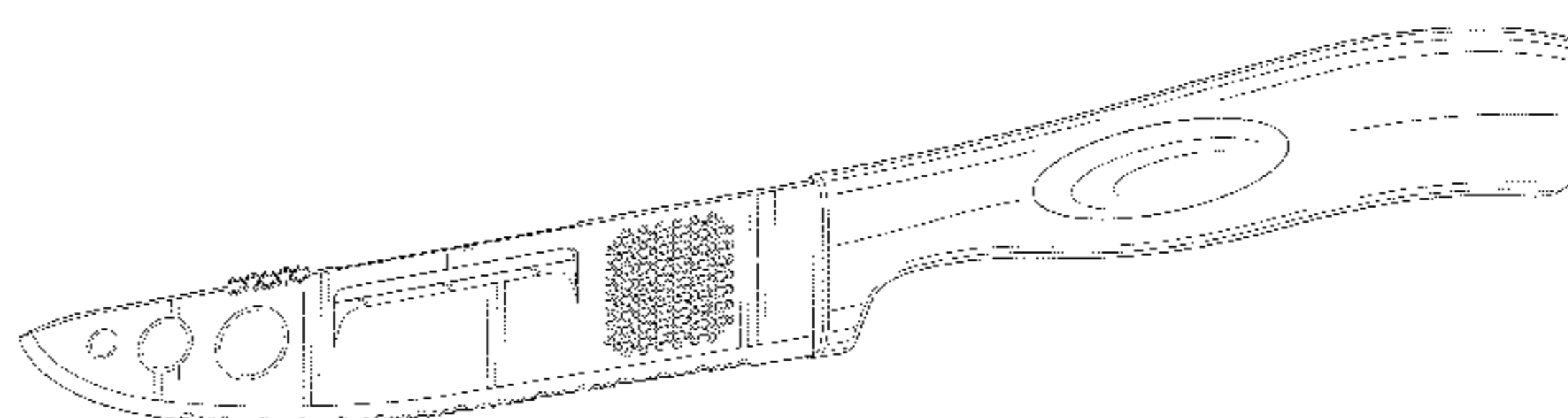
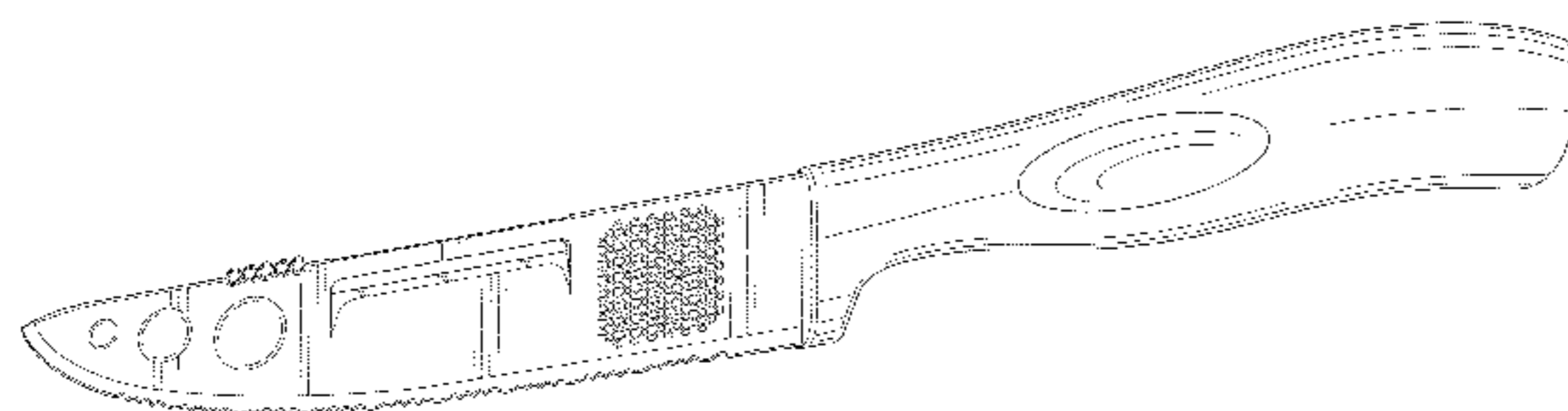
(57) **CLAIM**

The ornamental design for a multi-purpose knife, as shown and described.

DESCRIPTION

FIG. 1 is a side front top perspective view of a multi-purpose knife showing my new design therefor;
 FIG. 2 is a left side elevation view thereof;
 FIG. 3 is a right side elevational view thereof;
 FIG. 4 is a rear elevational view thereof,
 FIG. 5 is a front elevational view thereof;
 FIG. 6 is a top plan view thereof;
 FIG. 7 is a bottom plan view thereof;
 FIG. 8 is a side front top perspective view of the second embodiment of a multi-purpose knife showing my new design therefore;
 FIG. 9 is a left side elevational view thereof;
 FIG. 10 is a right side elevational view thereof;
 FIG. 11 is a rear elevational view thereof;
 FIG. 12 is a front elevational view thereof;
 FIG. 13 is a top plan view thereof;
 FIG. 14 is a bottom plan view thereof;
 FIG. 15 is a side front top perspective view of a further embodiment of a multi-purpose knife showing my new design therefore;
 FIG. 16 is a left side elevational view thereof;
 FIG. 17 is a right side elevational view thereof;
 FIG. 18 is a rear elevational view thereof;
 FIG. 19 is a front elevational view thereof;
 FIG. 20 is a top plan view thereof; and,
 FIG. 21 is a bottom plan view thereof.

1 Claim, 15 Drawing Sheets



(56)

References Cited

U.S. PATENT DOCUMENTS

D502,526 S * 3/2005 Rae D22/118
D525,088 S * 7/2006 Fort et al. D7/652
D531,003 S * 10/2006 Collins D8/107
D545,637 S * 7/2007 Curtin D7/650
D554,949 S * 11/2007 Hood D7/650

D573,850 S * 7/2008 Curtin D7/649
D579,731 S * 11/2008 Ono D7/649
D581,732 S * 12/2008 Epstein D7/401.2
D581,733 S * 12/2008 Epstein D7/401.2
D626,794 S * 11/2010 Hollinger D7/650
D643,256 S * 8/2011 Hirai D7/649
2007/0039445 A1 * 2/2007 Nitsch 83/835

* cited by examiner

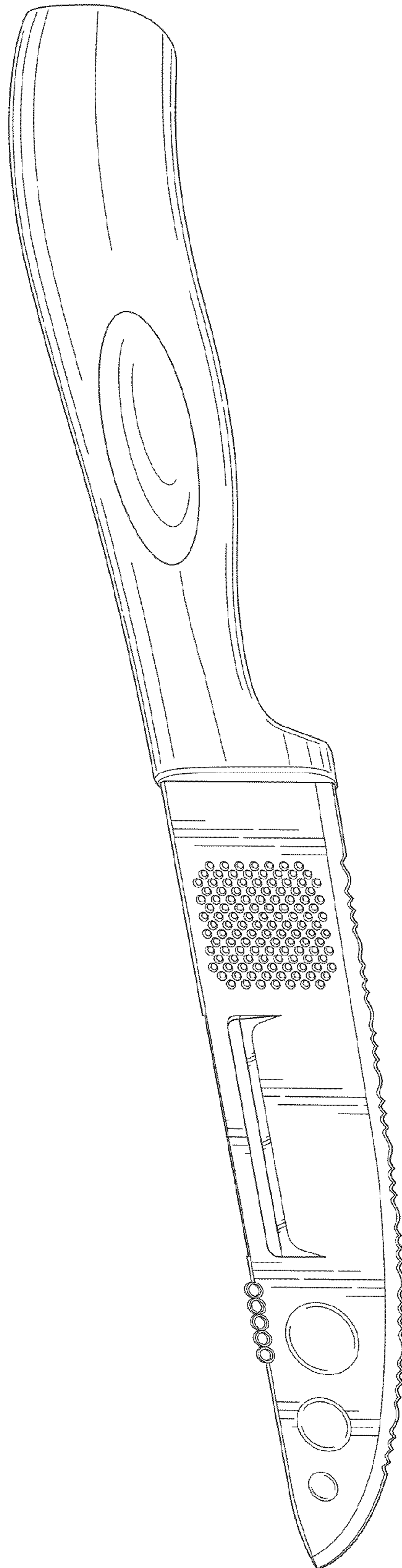


FIG. 1

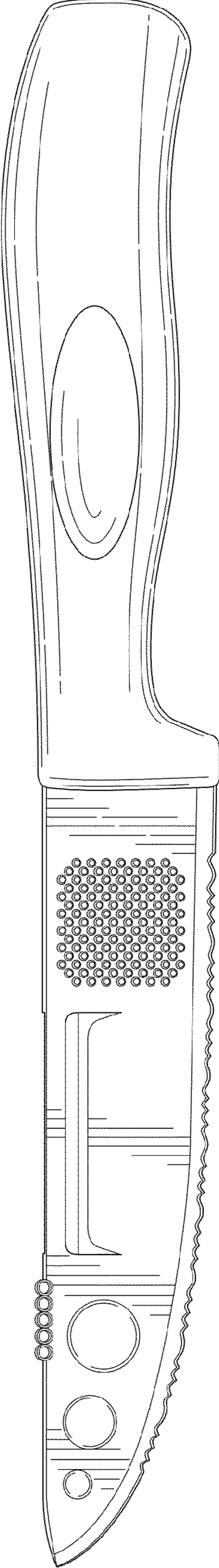


FIG. 2

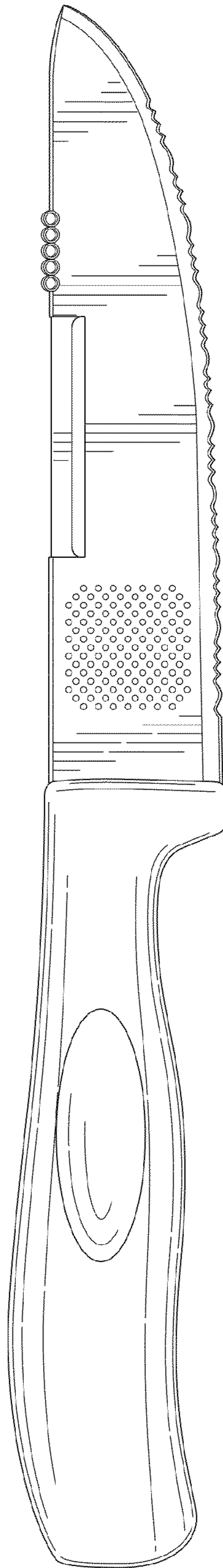


FIG. 3

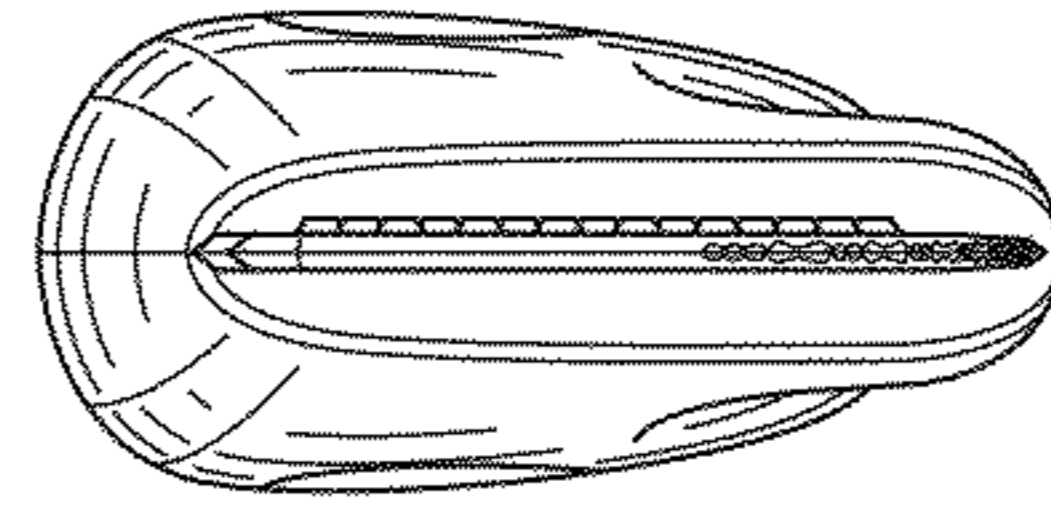


FIG. 5

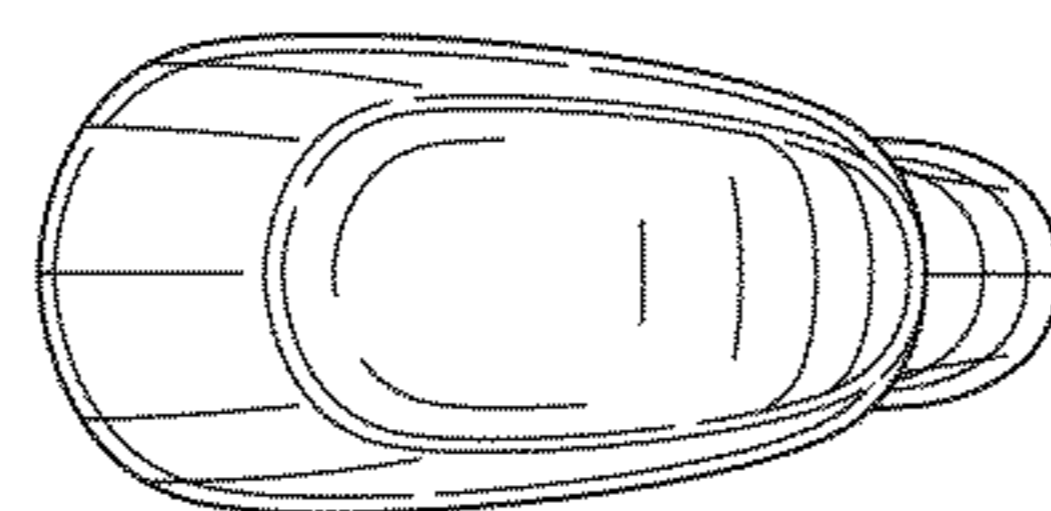


FIG. 4

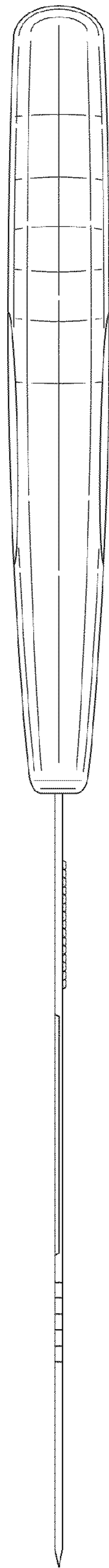


FIG. 6

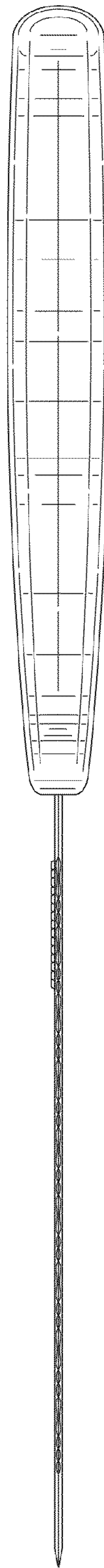


FIG. 7

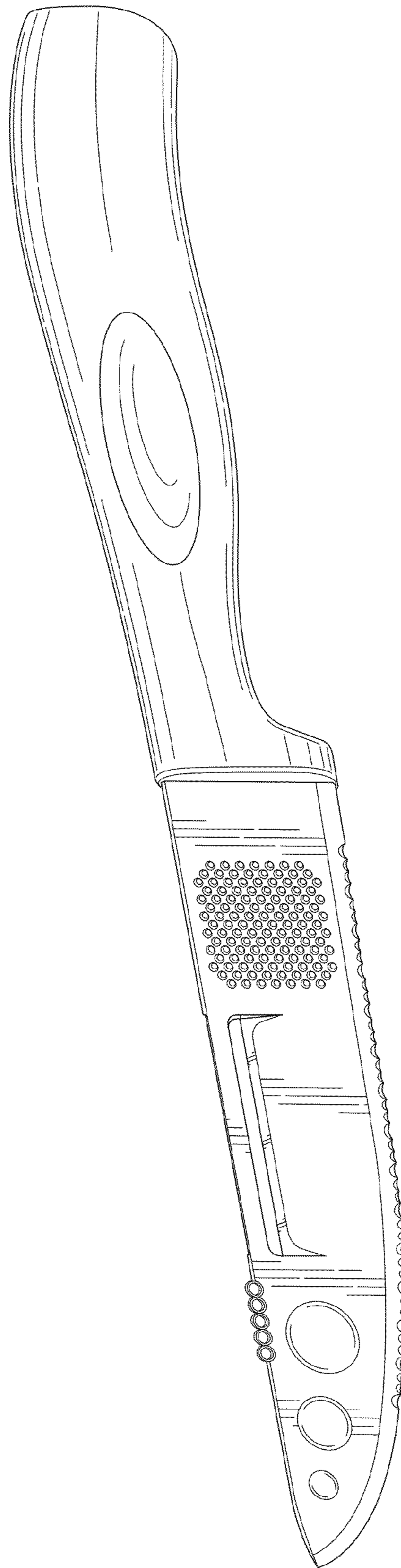


FIG. 8

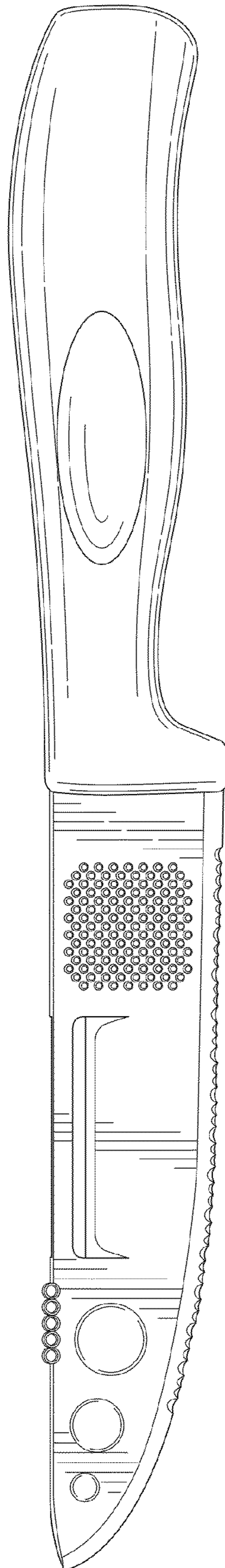


FIG. 9

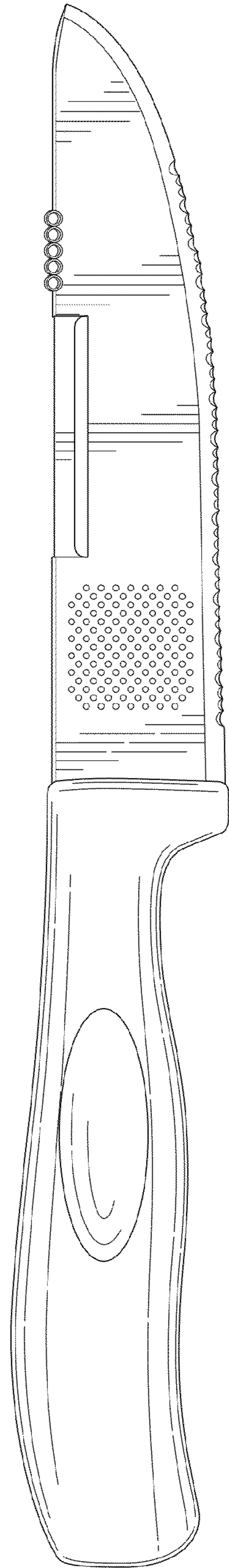


FIG. 10

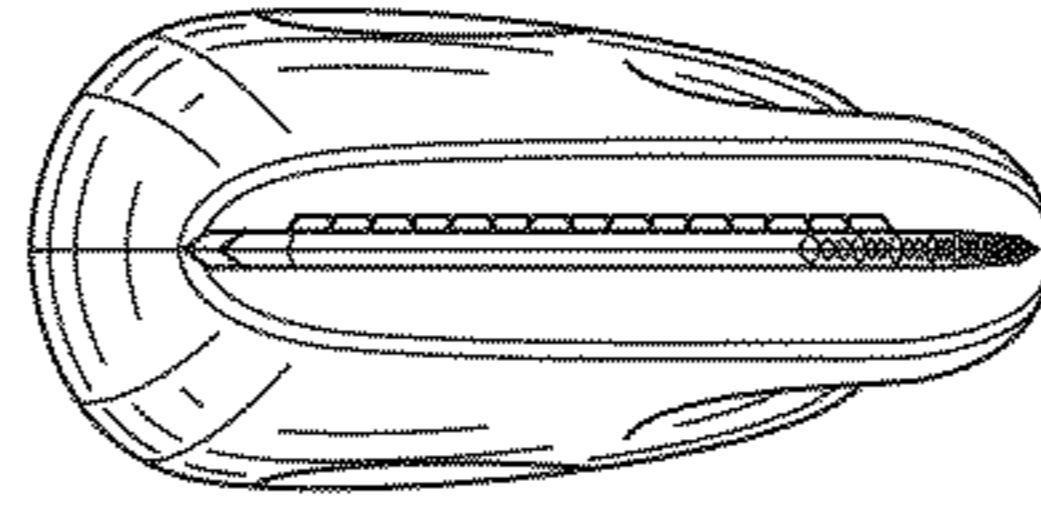


FIG. 12

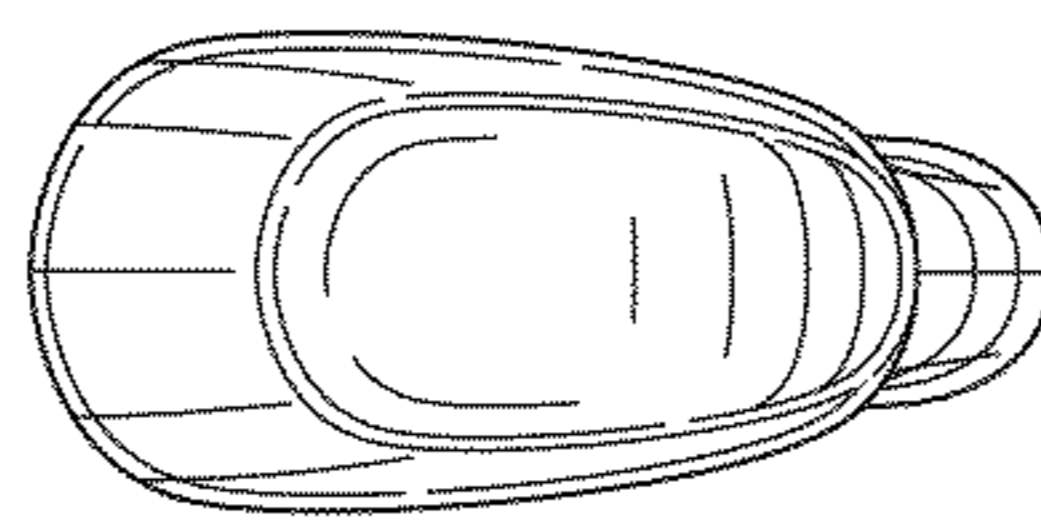


FIG. 11

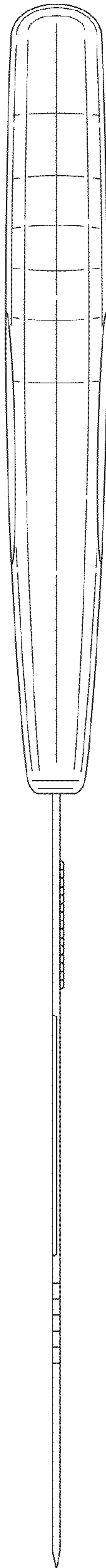


FIG. 13

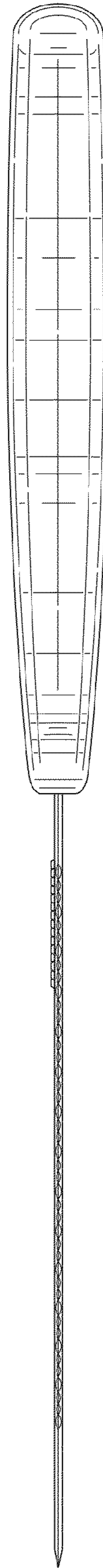


FIG. 14

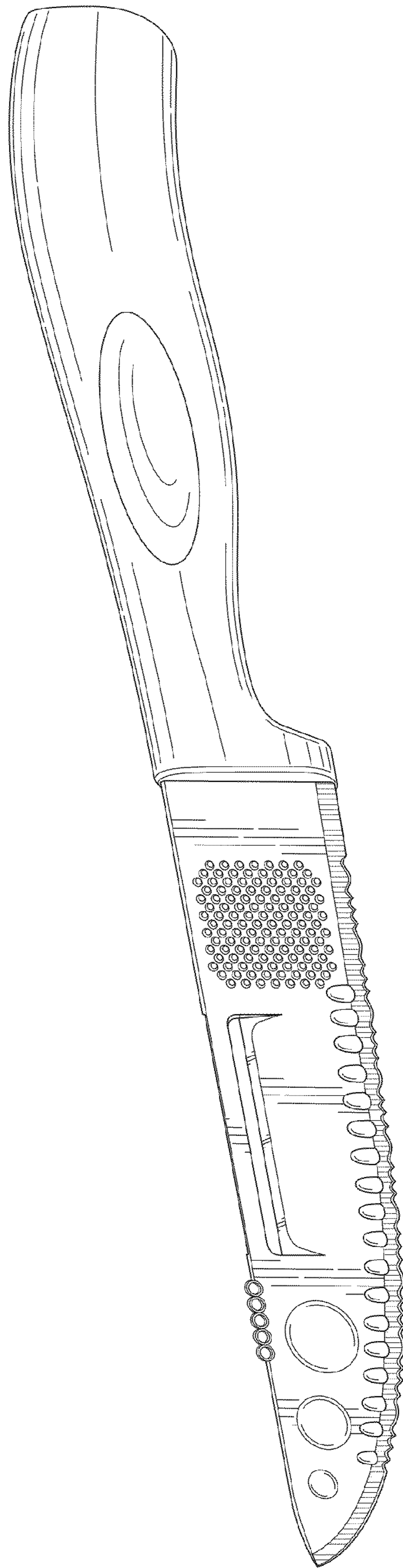


FIG. 15

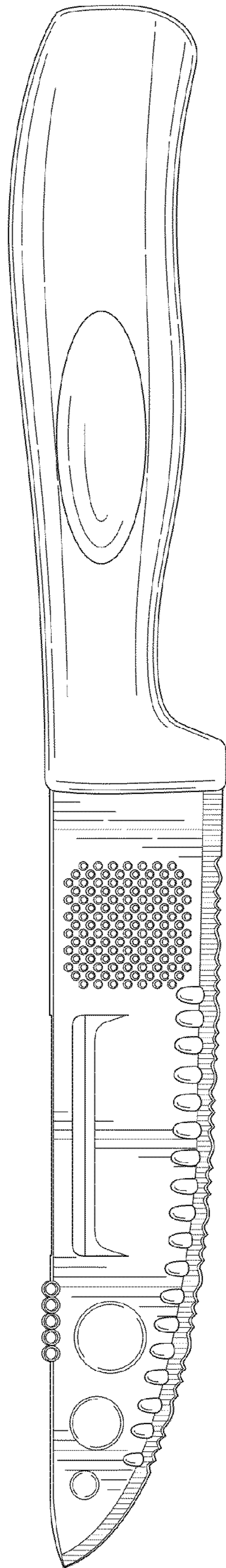


FIG. 16

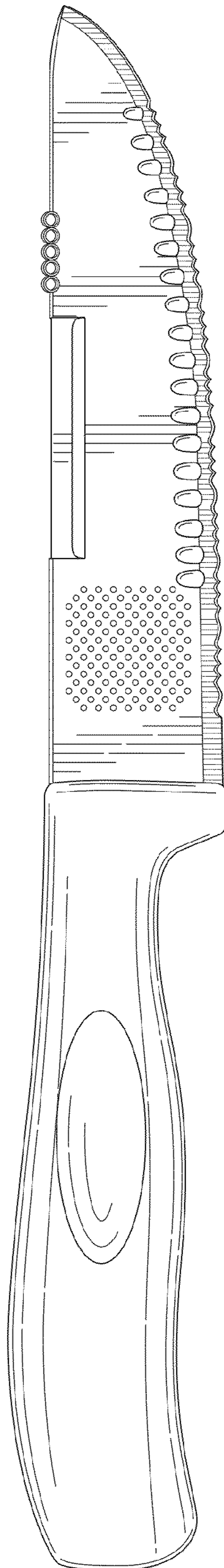


FIG. 17

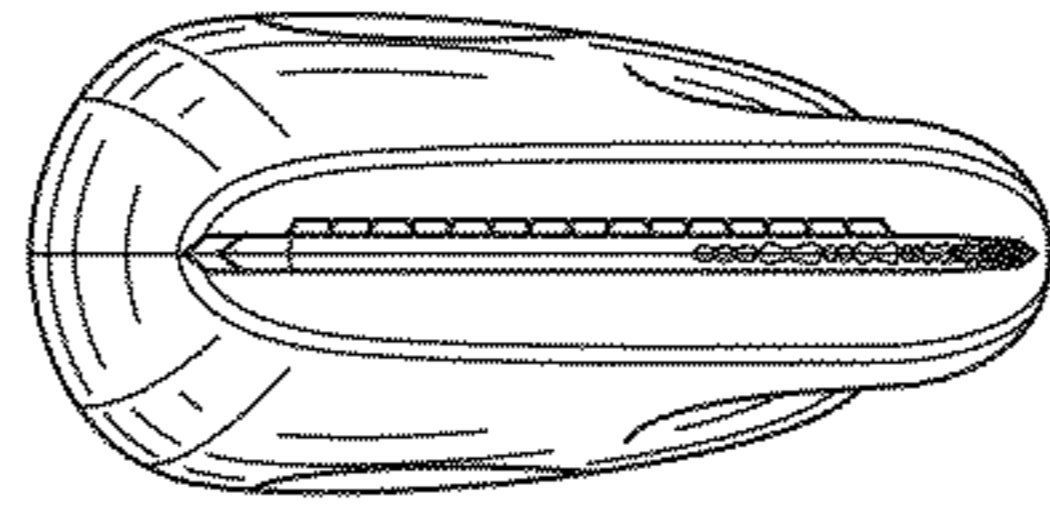


FIG. 19

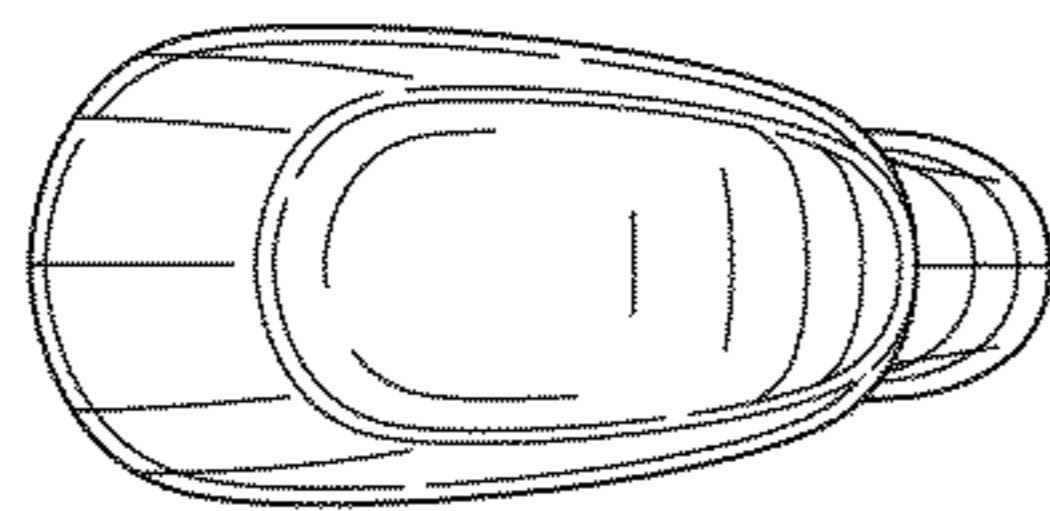


FIG. 18

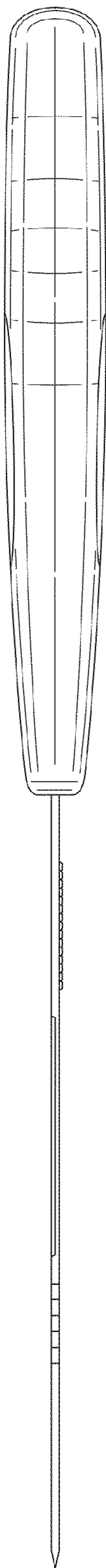


FIG. 20

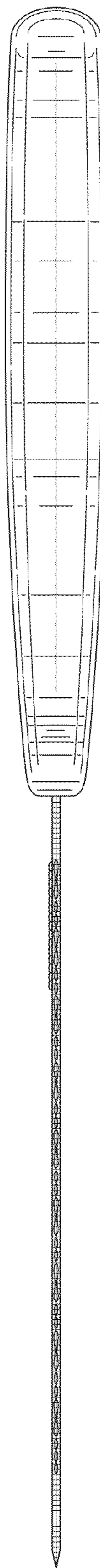


FIG. 21