



US00D693185S

(12) **United States Design Patent**
Evans et al.

(10) **Patent No.:** **US D693,185 S**

(45) **Date of Patent:** **** Nov. 12, 2013**

(54) **CHEESE KNIFE SET**

(56) **References Cited**

(71) Applicant: **Joseph Joseph Ltd.**, London (GB)

U.S. PATENT DOCUMENTS

(72) Inventors: **David Evans**, Cambridge (GB); **Ashley May**, Cambridge (GB)

| | | | |
|--------------|---------|---------------------------|----------|
| D304,154 S * | 10/1989 | Osterhout | D8/99 |
| D442,841 S * | 5/2001 | Balolia | D8/99 |
| D464,551 S * | 10/2002 | Glesser | D8/98 |
| D465,542 S * | 11/2002 | Bloch | D22/118 |
| D466,764 S * | 12/2002 | Haythornthwaite et al. .. | D7/643 |
| D474,392 S * | 5/2003 | Lang | D8/99 |
| D476,877 S * | 7/2003 | Lang | D8/99 |
| D554,949 S * | 11/2007 | Hood | D7/650 |
| D570,163 S * | 6/2008 | Jimenez et al. | D7/653 |
| D581,732 S * | 12/2008 | Epstein | D7/401.2 |
| D581,733 S * | 12/2008 | Epstein | D7/401.2 |
| D600,506 S * | 9/2009 | Miltner et al. | D7/649 |
| D612,692 S * | 3/2010 | Menceles | D7/643 |

(73) Assignee: **Joseph Joseph Ltd.**, London (GB)

(**) Term: **14 Years**

(21) Appl. No.: **29/448,401**

(22) Filed: **Mar. 12, 2013**

* cited by examiner

(30) **Foreign Application Priority Data**

Primary Examiner — Ricky Pham

Sep. 13, 2012 (EM) 002102343-0004

(74) *Attorney, Agent, or Firm* — Millen, White, Zelano & Branigan, P.C.

(51) **LOC (9) Cl.** **07-03**

(57) **CLAIM**

(52) **U.S. Cl.**

The ornamental design for a cheese knife set, as shown and described.

USPC **D7/650**; D7/649

DESCRIPTION

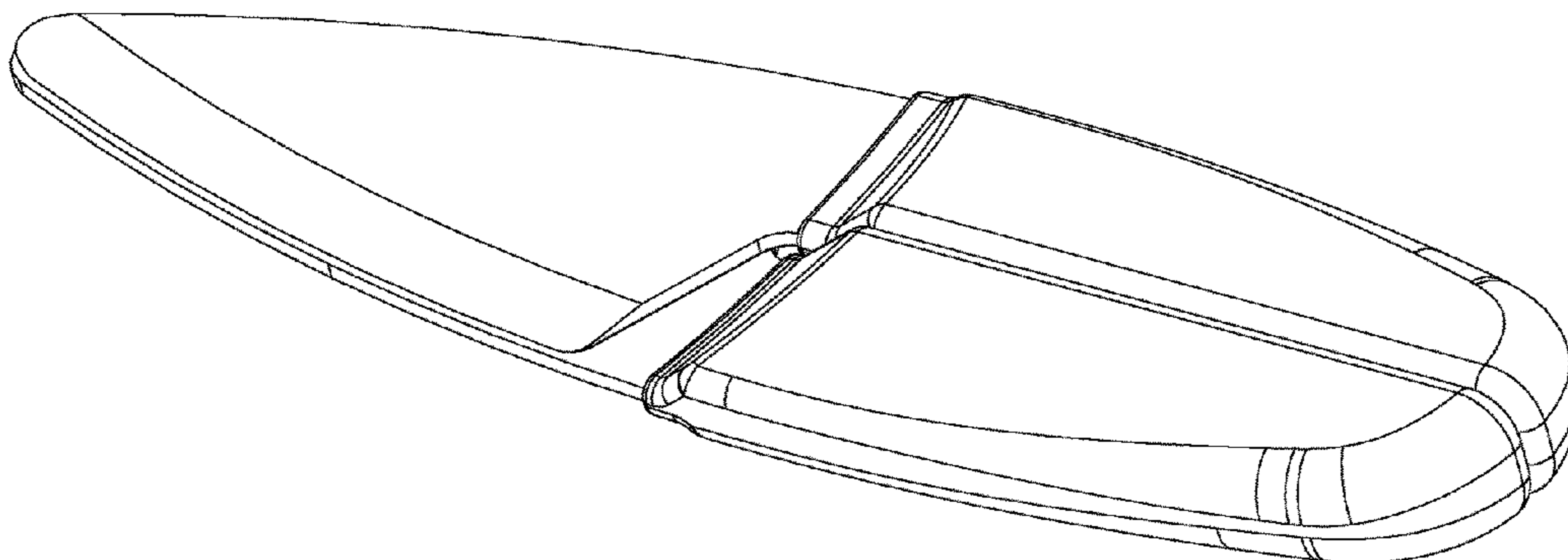
(58) **Field of Classification Search**

USPC D7/368, 393–395, 401.2, 642–646,
D7/649–654, 660–664, 669, 675–676, 683,
D7/688–692, 695–696; D8/25, 83, 98–99,
D8/107, 303; D22/118; 30/137, 141–143,
30/147–150, 322–327, 329, 335, 340,
30/342–344, 355; 416/70 R

FIG. 1 is a perspective view of the cheese knife set showing my new design.
FIG. 2 is a top view thereof.
FIG. 3 is a bottom view thereof.
FIG. 4 is a side view thereof.
FIG. 5 is another side view thereof.
FIG. 6 is an enlarged front view thereof; and,
FIG. 7 is an enlarged rear view thereof.

See application file for complete search history.

1 Claim, 7 Drawing Sheets



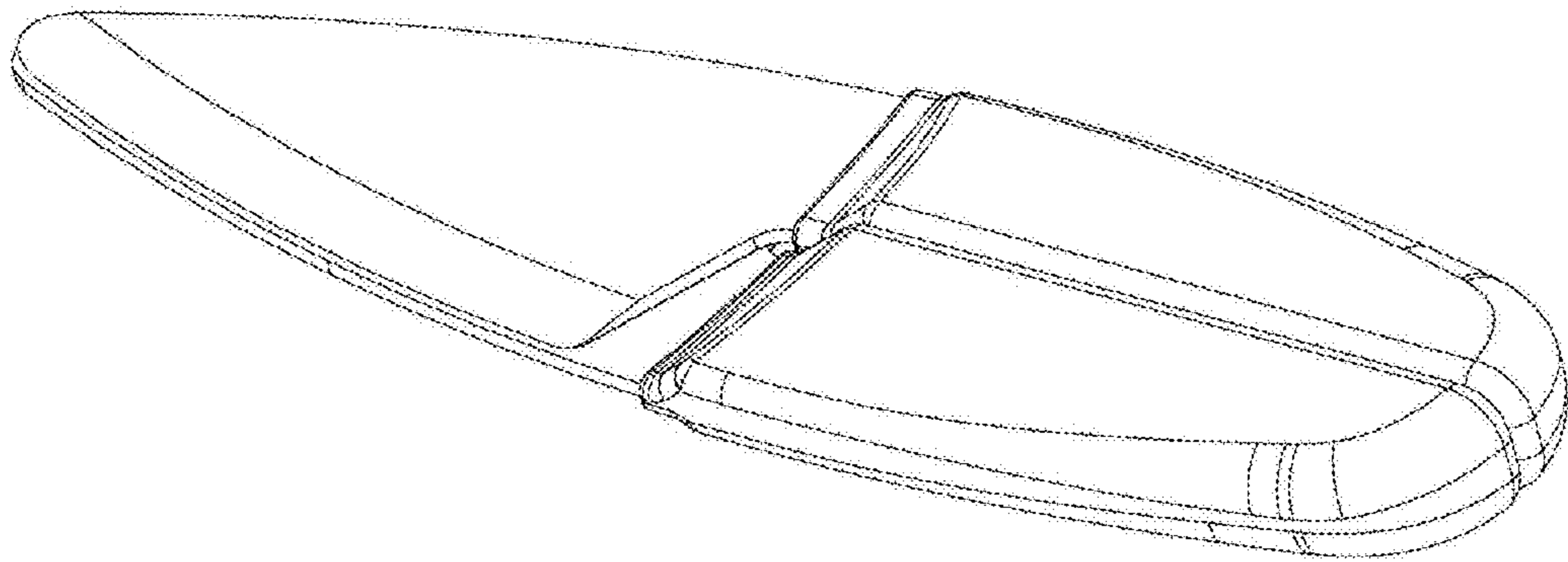


Fig. 1

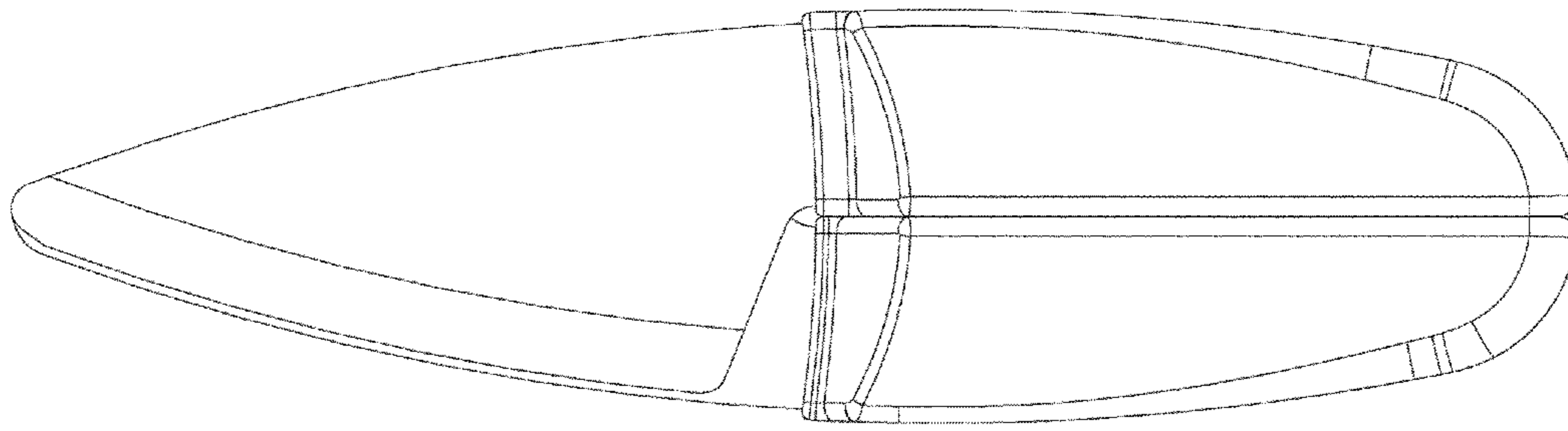


Fig. 2

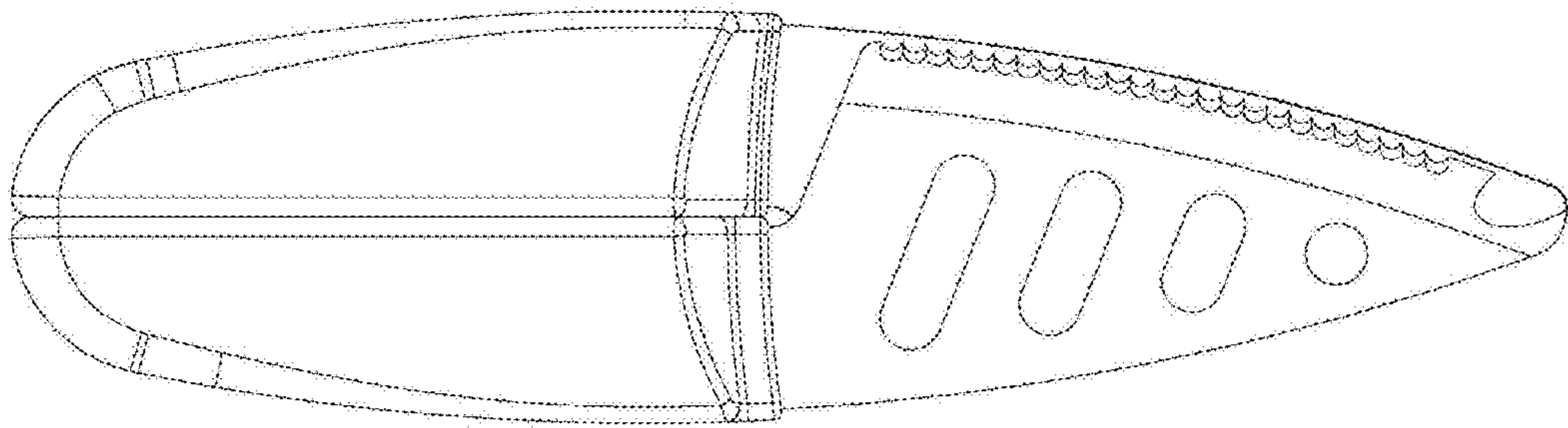


Fig. 3

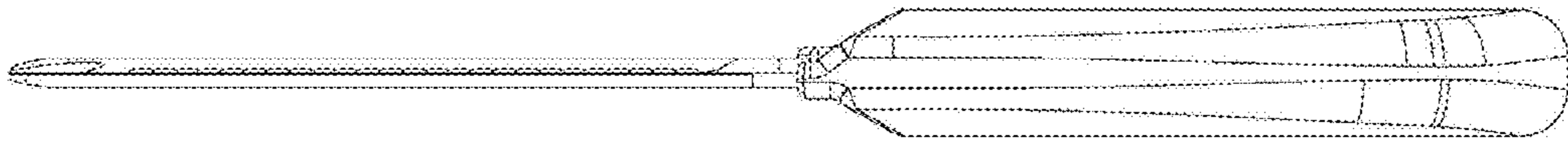


Fig. 4

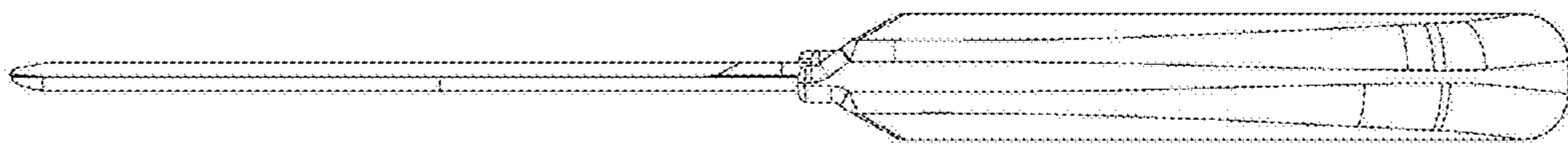


Fig. 5

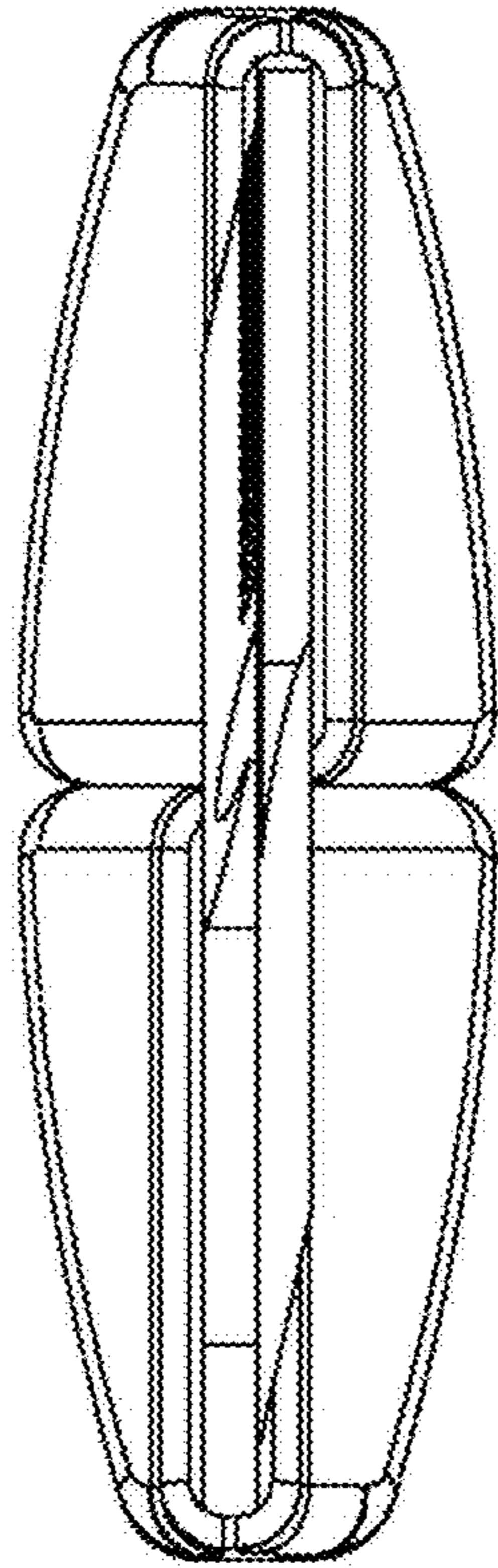


Fig. 6

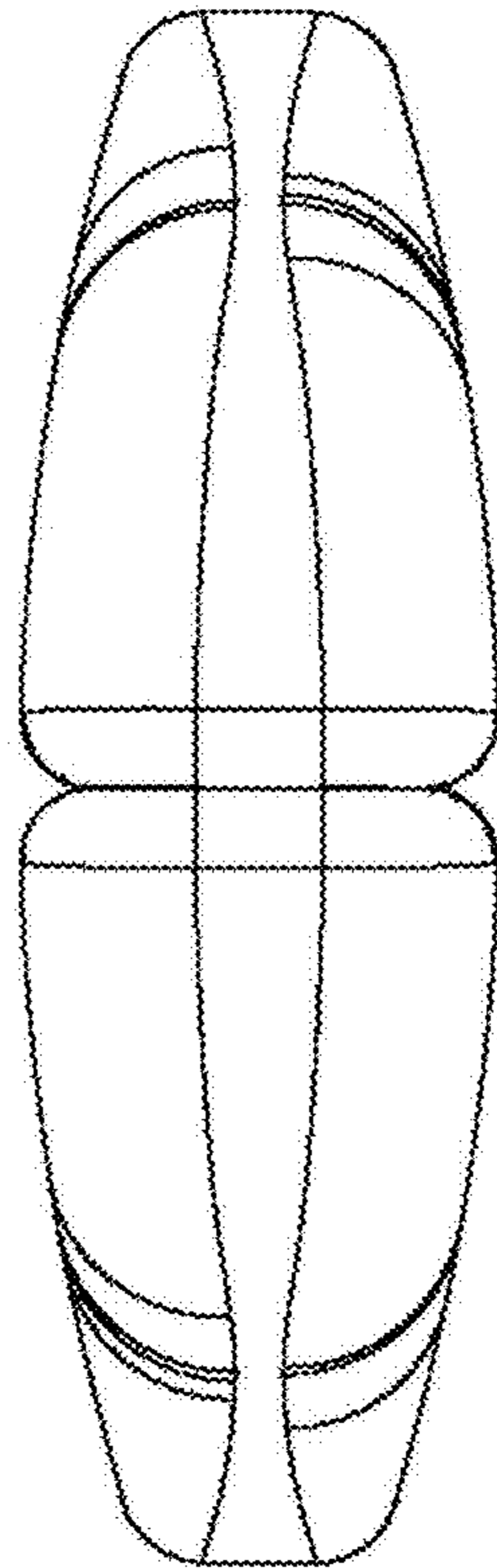


Fig. 7