



US00D693182S

(12) **United States Design Patent**  
**Katterheinrich et al.**

(10) **Patent No.:** **US D693,182 S**  
(45) **Date of Patent:** **\*\* Nov. 12, 2013**

(54) **BOWL**

(71) Applicant: **Target Brands, Inc.**, Minneapolis, MN (US)

(72) Inventors: **Kent D. Katterheinrich**, Shoreview, MN (US); **William Peterson**, Minneapolis, MN (US)

(73) Assignee: **Target Brands, Inc.**, Minneapolis, MN (US)

(\*\*) Term: **14 Years**

(21) Appl. No.: **29/455,823**

(22) Filed: **May 24, 2013**

(51) **LOC (9) Cl.** ..... **07-01**

(52) **U.S. Cl.**

USPC ..... **D7/587**

(58) **Field of Classification Search**

USPC ..... D7/562, 586, 545, 561, 560, 500, 543, D7/360, 361, 552.1, 354, 555, 566, 504, D7/565, 587, 601, 602, 558; D1/122; D30/130; 220/751, 23.4, 574; D9/643, D9/424, 759, 432; 215/382, 400

See application file for complete search history.

(56) **References Cited**

**U.S. PATENT DOCUMENTS**

D53,247 S	4/1919	Lewis
2,878,932 A	3/1959	Martire, Jr.
3,219,226 A	11/1965	Schroeder
D220,966 S	6/1971	Bateman
D239,358 S	3/1976	Kjellqvist
4,461,396 A	7/1984	Harper
4,607,758 A	8/1986	Stevens
D293,293 S	12/1987	Isles
4,744,597 A	5/1988	Bauman et al.

(Continued)

**OTHER PUBLICATIONS**

“2-Piece Chip and Dip Set”, printed from www.crateandbarrel.com/2-piece-chip-and-dip-set/s613642 on Feb. 27, 2013 (2 pages).

(Continued)

*Primary Examiner* — Cynthia Underwood

(74) *Attorney, Agent, or Firm* — Griffiths & Seaton PLLC; JoAnn M. Seaton

(57) **CLAIM**

The ornamental design for a bowl, as shown and described.

**DESCRIPTION**

FIG. 1 is a front perspective view of a bowl showing our new design;

FIG. 2 is a front view thereof, the rear view being identical to the front view;

FIG. 3 is a right side view thereof, the left side view being identical to the right side view;

FIG. 4 is a top view thereof; and

FIG. 5 is a bottom view thereof.

FIG. 6 is a front, perspective view of the bowl of FIG. 1 shown with environmental subject matter;

FIG. 7 is a front view thereof, the rear view being identical to the front view;

FIG. 8 is a right side view thereof, the left side view being identical to the right side view;

FIG. 9 is a top view thereof; and

FIG. 10 is a bottom view thereof.

FIG. 11 is a exploded front, perspective view of the bowl and environmental subject matter of FIG. 6;

FIG. 12 is a front view thereof, the rear view being identical to the front view;

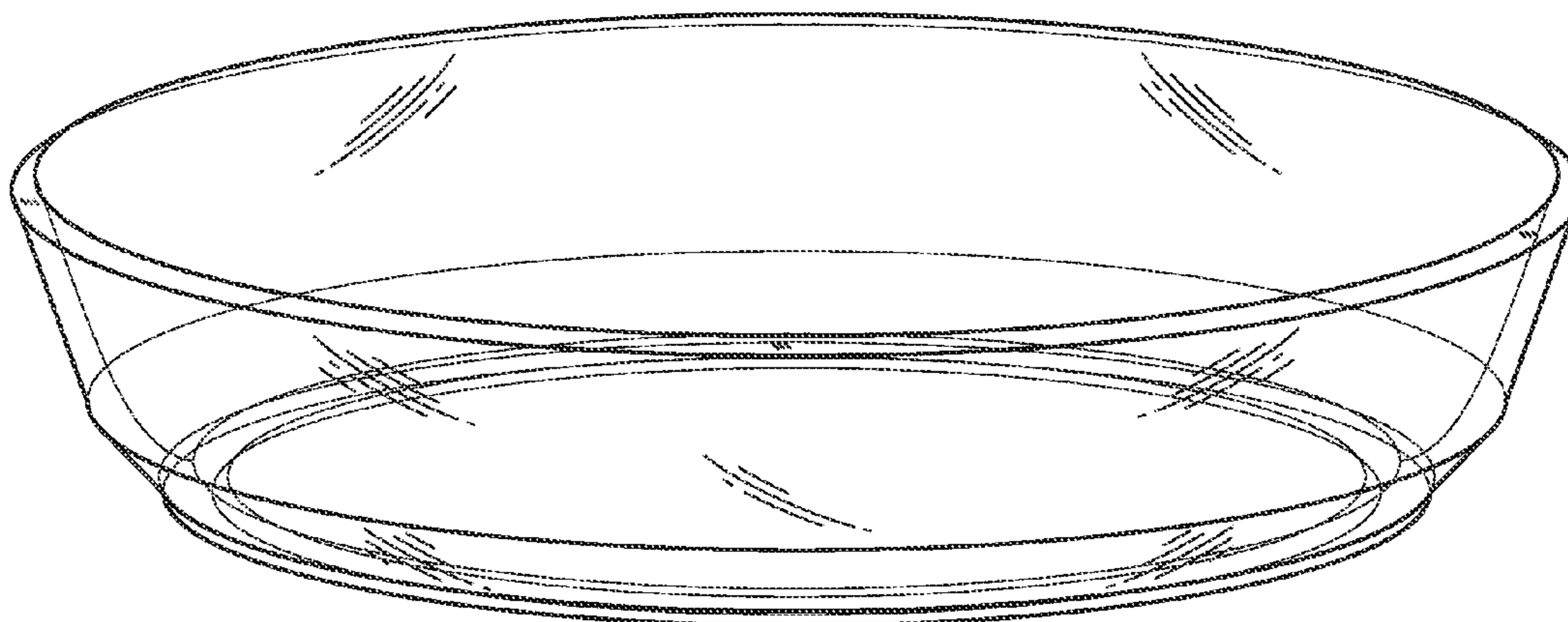
FIG. 13 is a right side view thereof, the left side view being identical to the right side view;

FIG. 14 is a top view thereof; and,

FIG. 15 is a bottom view thereof.

The features shown in broken lines are environmental subject matter to the bowl and form no part of the claimed design.

**1 Claim, 15 Drawing Sheets**



(56)

References Cited

U.S. PATENT DOCUMENTS

D304,658 S \* 11/1989 Mattei ..... D7/505  
 4,966,297 A 10/1990 Doty  
 4,989,742 A 2/1991 Powell  
 5,125,363 A 6/1992 McGaha  
 5,419,455 A 5/1995 Russeau  
 D360,112 S \* 7/1995 McEntee ..... D7/584  
 5,429,231 A 7/1995 McSpadden  
 5,429,266 A 7/1995 D'Oliveira et al.  
 D368,627 S 4/1996 McSpadden  
 D384,556 S 10/1997 Logan et al.  
 6,311,841 B1 11/2001 Hodges  
 6,315,126 B1 11/2001 Cornelissen  
 D453,308 S \* 2/2002 McCauley ..... D11/152  
 6,550,630 B1 \* 4/2003 Krupa ..... 220/575  
 D487,672 S 3/2004 Cote et al.  
 D488,741 S \* 4/2004 Moya ..... D11/143  
 6,729,472 B2 5/2004 Stucke et al.  
 D493,672 S \* 8/2004 Jalet et al. .... D7/586  
 D495,928 S 9/2004 Laib  
 D504,799 S 5/2005 Lawson et al.  
 D509,994 S \* 9/2005 Hadland ..... D7/587  
 D511,273 S \* 11/2005 Hadelar ..... D7/553.6  
 D516,867 S \* 3/2006 Martin et al. .... D7/586  
 D527,951 S \* 9/2006 Roth et al. .... D7/540  
 D527,952 S \* 9/2006 Roth et al. .... D7/540  
 D536,161 S \* 2/2007 Hathaway ..... D2/893  
 D560,099 S 1/2008 Hatcher  
 D575,589 S 8/2008 Fadda  
 D587,970 S 3/2009 Zack et al.  
 7,506,763 B2 3/2009 Hatcher  
 D611,306 S 3/2010 Zack et al.  
 D613,556 S \* 4/2010 Sierra et al. .... D7/584  
 D636,946 S 4/2011 Able  
 D652,259 S 1/2012 Hatcher et al.  
 D658,922 S 5/2012 Fallon et al.  
 D670,042 S 10/2012 Anderson  
 2007/0205190 A1 9/2007 Yang  
 2008/0206437 A1 8/2008 Perry

OTHER PUBLICATIONS

“Artesia Chip and Dip”, printed from <http://www.crateandbarrel.com/dining-and-entertaining/chip-and-dips/1> on Oct. 10, 2011 (1 page).  
 “Stoneware Pottery Chip and Dip Sets”, printed from [www.outoffthefirestudio.com/chip\\_and\\_dip.html](http://www.outoffthefirestudio.com/chip_and_dip.html) on Oct. 10, 2011 (2 pages).  
 “9.5 inch Foil Flan Dish”, printed from [www.alibaba.com/product-gs/249397074/9\\_5\\_Foil\\_flan\\_dish.html](http://www.alibaba.com/product-gs/249397074/9_5_Foil_flan_dish.html) on Oct. 9, 2011 (3 pages).  
 “Winter Cardinal Cereal Bowl”, printed from [www.target.com/p/winter-cardinal-cereal-bowl-set-of-4/-/A-14115717#prodSlot=medium\\_1\\_10](http://www.target.com/p/winter-cardinal-cereal-bowl-set-of-4/-/A-14115717#prodSlot=medium_1_10) on Nov. 14, 2012 (1 page).  
 “L. C. Tiffany Favrile Wave Bowl”, printed from [www.aspireauctions.com/216-231-5515/WebObjects/seauction...sv2?pageID=1358436682&lotID=22785&wosid=WvzCD8yu11kb4pm2t4sHbw](http://www.aspireauctions.com/216-231-5515/WebObjects/seauction...sv2?pageID=1358436682&lotID=22785&wosid=WvzCD8yu11kb4pm2t4sHbw) on Jan. 17, 2013 (1 page).  
 “Crimson Porcelain Bowl with Dragon and Lotus Petal”, printed from [http://treasure.chinese.cn/en/article/2009-10/23/content\\_77008.htm](http://treasure.chinese.cn/en/article/2009-10/23/content_77008.htm) on Jan. 17, 2013 (2 pages).  
 “Home Elemental Amber Bowls”, printed from [www.target.com/p/home-elemental-amber-bowls-set-of-4/-/A-13849139#prodSlot=medium\\_1\\_54](http://www.target.com/p/home-elemental-amber-bowls-set-of-4/-/A-13849139#prodSlot=medium_1_54) on Nov. 14, 2012 (2 pages).  
 “Mia 16-Piece Dinnerware Set”, printed from [www.homedecorators.com/P/Mia\\_16-Piece\\_Dinnerware\\_Set1410/](http://www.homedecorators.com/P/Mia_16-Piece_Dinnerware_Set1410/) on Nov. 14, 2012 (2 pages).  
 “Room Essentials® Leaf Cereal Bowl”, printed from [www.target.com/p/room-essentials-leaf-cereal-bowl-set-of-6-blackand-blue/-/A-13750275#prodSlot=medium\\_1\\_36](http://www.target.com/p/room-essentials-leaf-cereal-bowl-set-of-6-blackand-blue/-/A-13750275#prodSlot=medium_1_36) on Nov. 11, 2012 (1 page).  
 “Stripe Melamine Bowl Set of 12”, printed from [www.target.com/p/stripe-melamine-bowl-set-of-12-6/-/A-12859285#prodSlot=medium\\_2\\_12](http://www.target.com/p/stripe-melamine-bowl-set-of-12-6/-/A-12859285#prodSlot=medium_2_12) on Nov. 14, 2012 (1 page).  
 U.S. Appl. No. 13/778,631, filed Feb. 27, 2013 (38 pages).  
 U.S. Appl. No. 29/447,466, filed Mar. 4, 2013 (15 pages).  
 U.S. Appl. No. 29/455,820, filed May 24, 2013 (11 pages).  
 U.S. Appl. No. 29/455,824, filed May 24, 2013 (7 pages).  
 U.S. Appl. No. 29/455,828, filed May 24, 2013 (13 pages).

\* cited by examiner

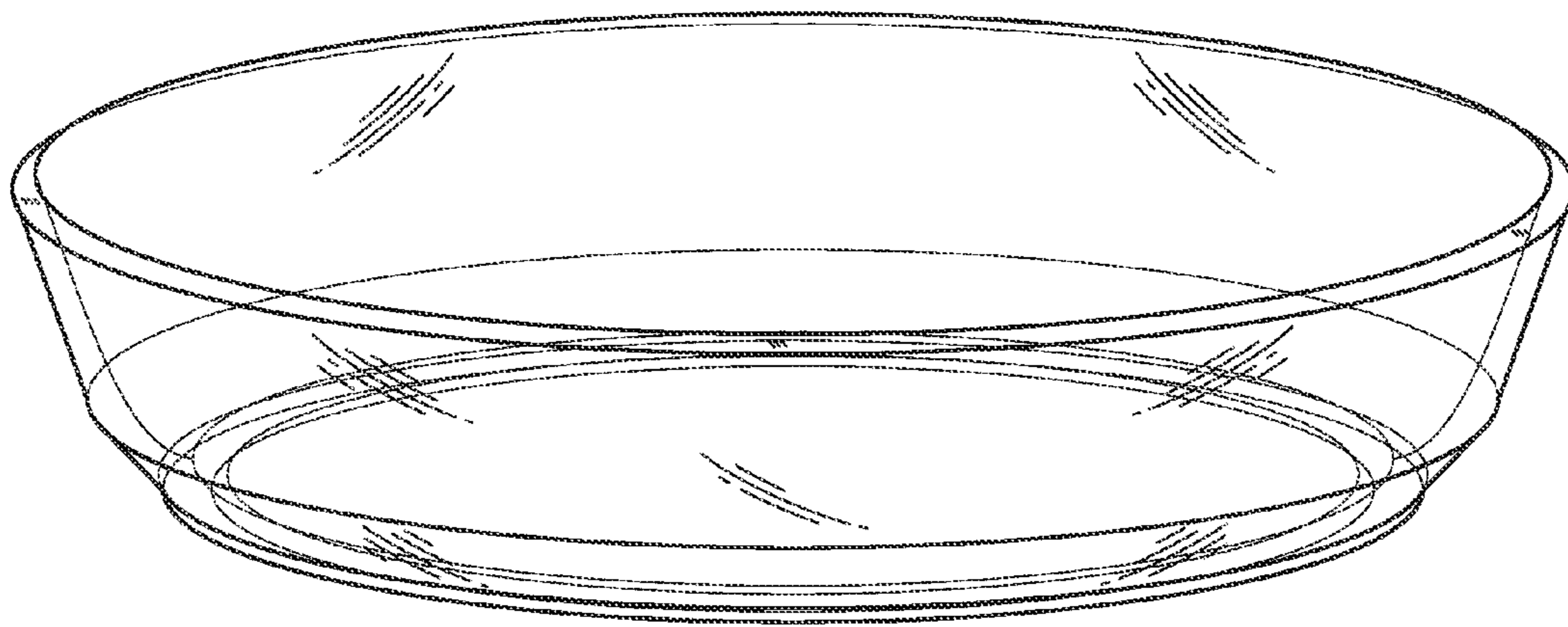


FIG. 1

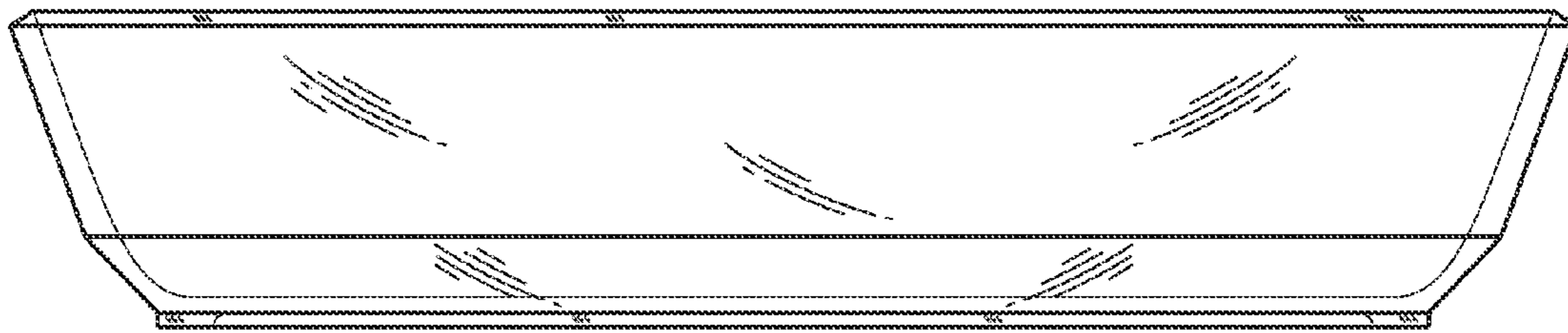


FIG. 2

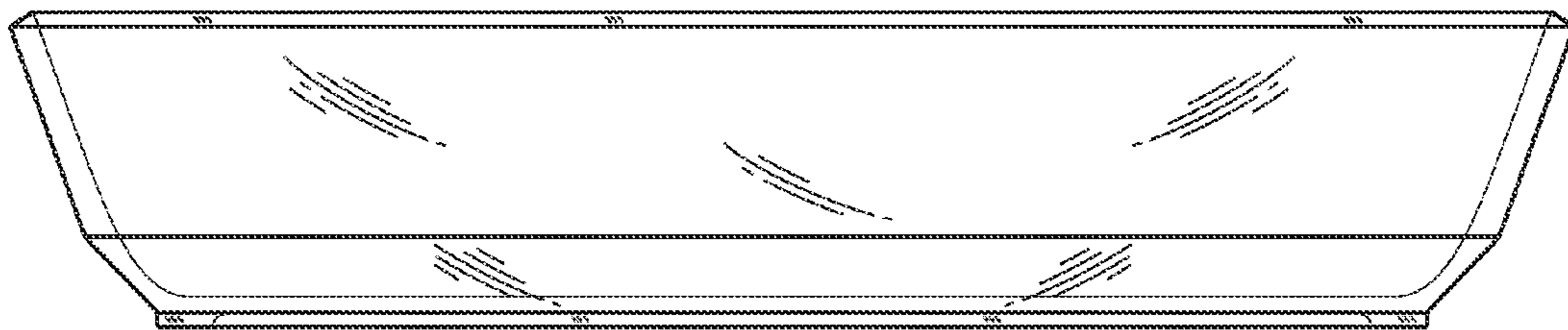


FIG. 3

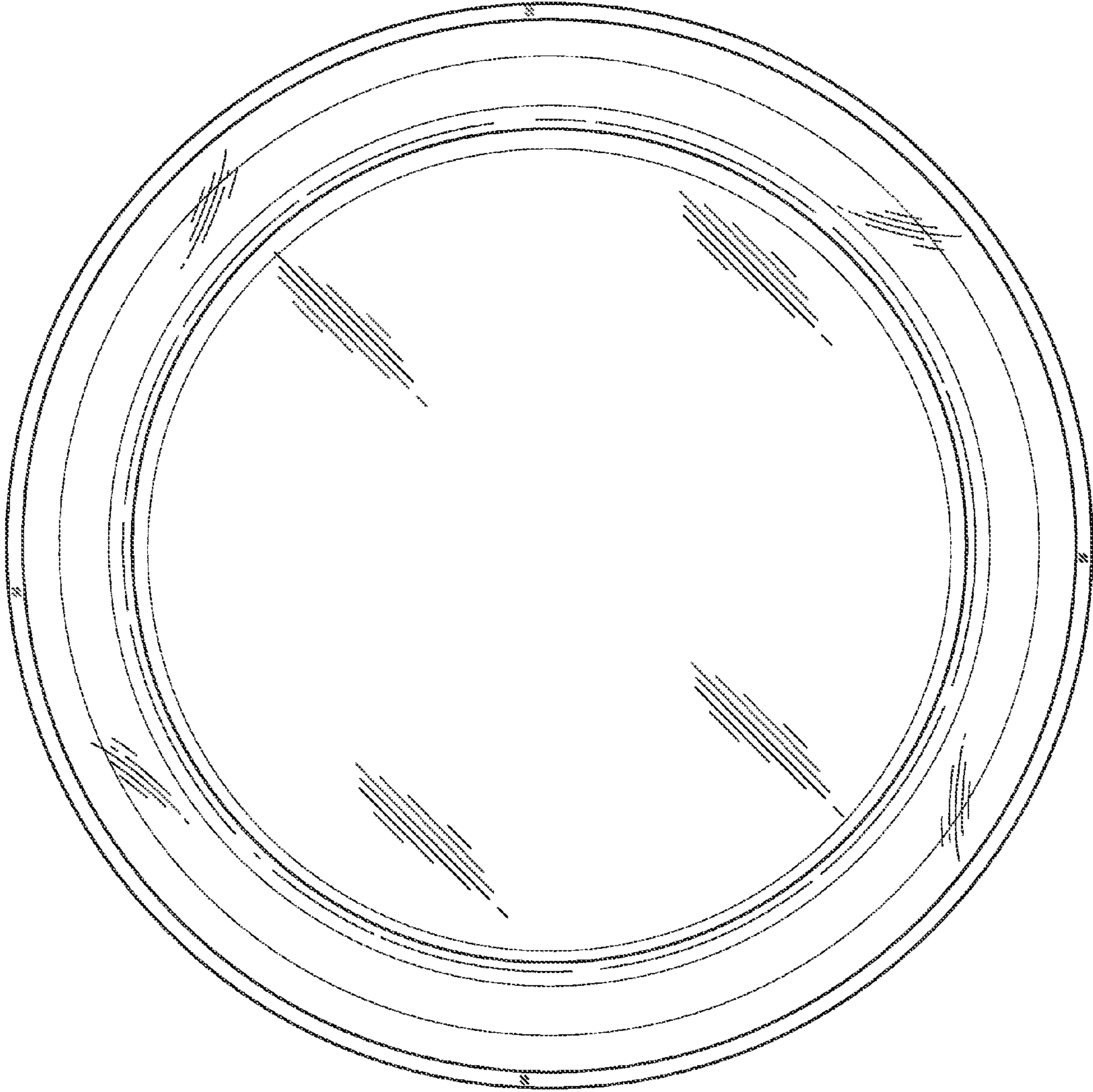


FIG. 4

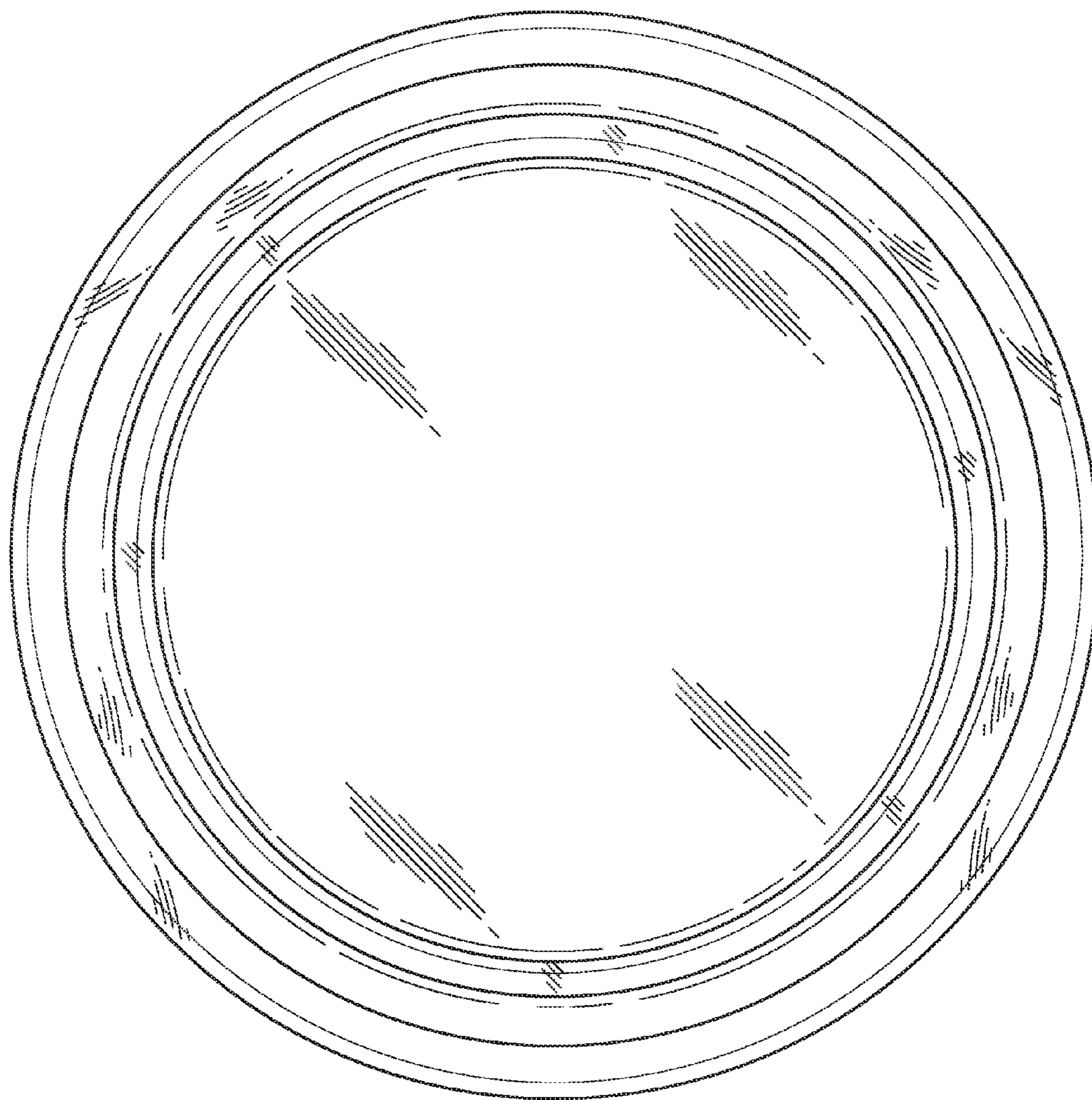


FIG. 5

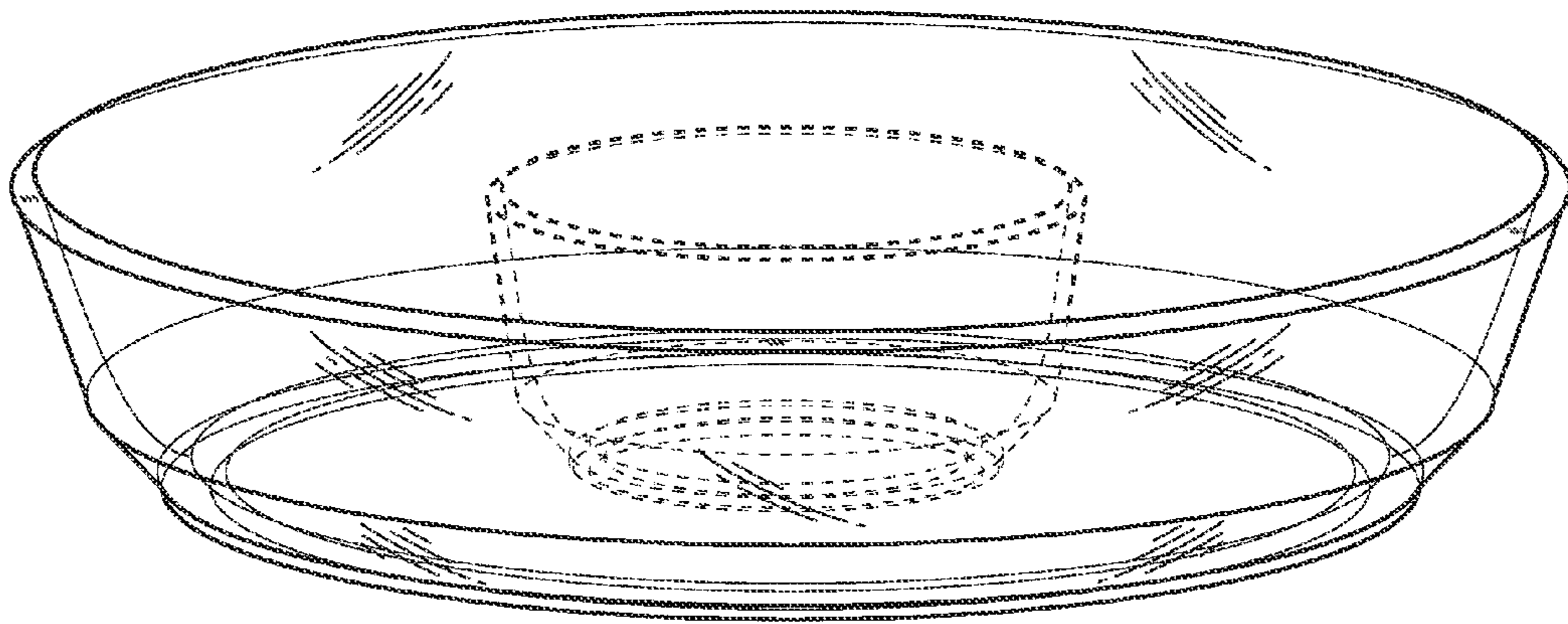


FIG. 6



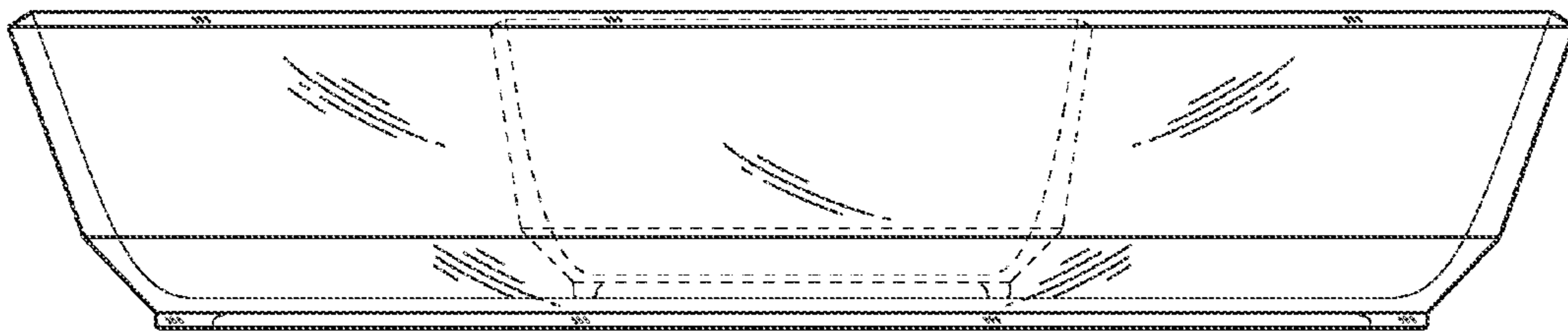


FIG. 7

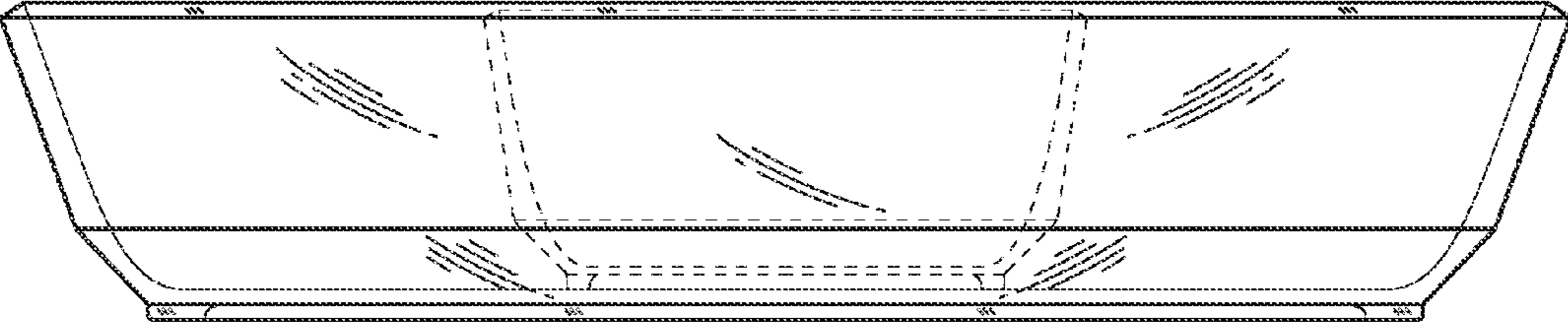


FIG. 8

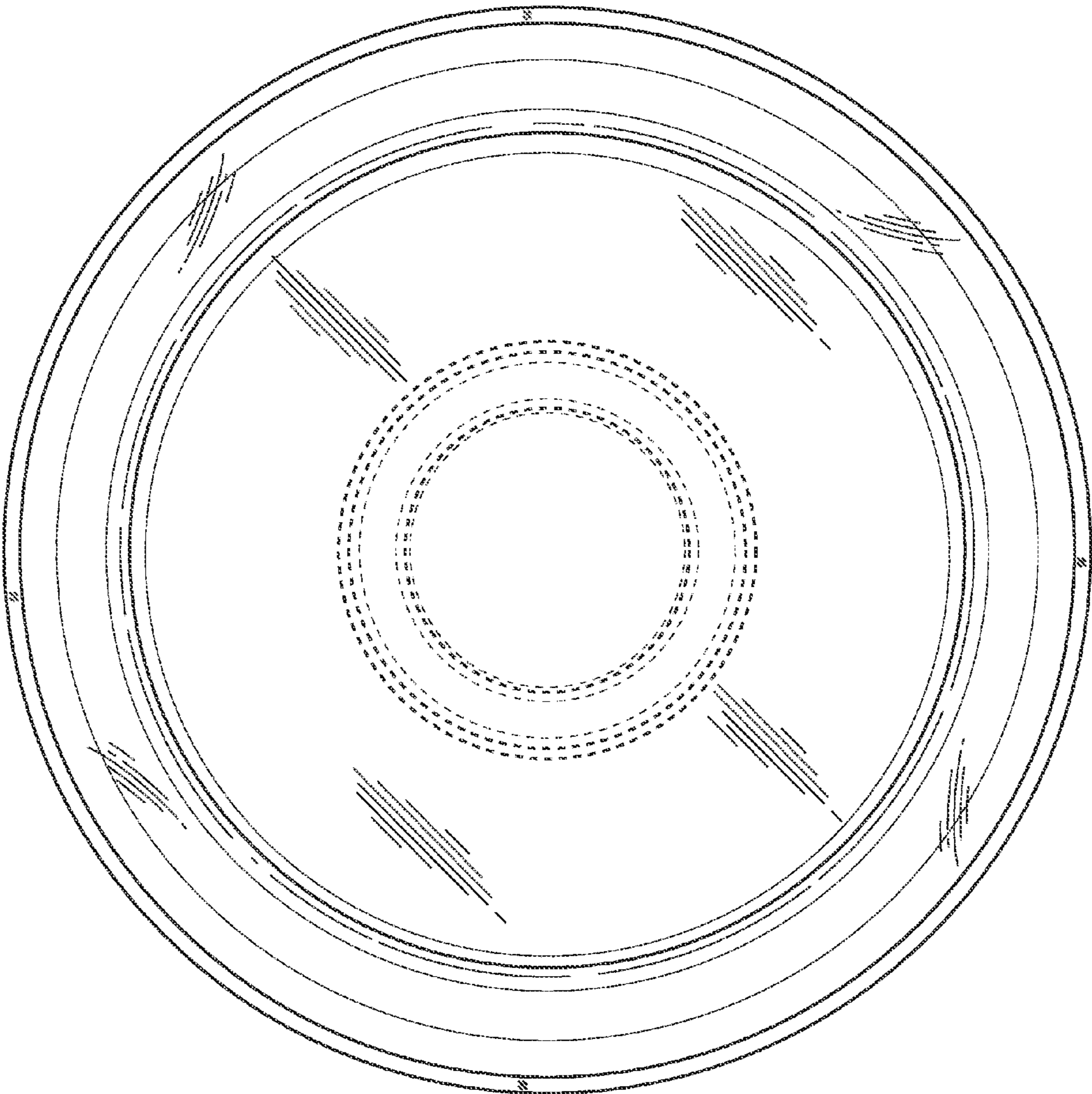


FIG. 9

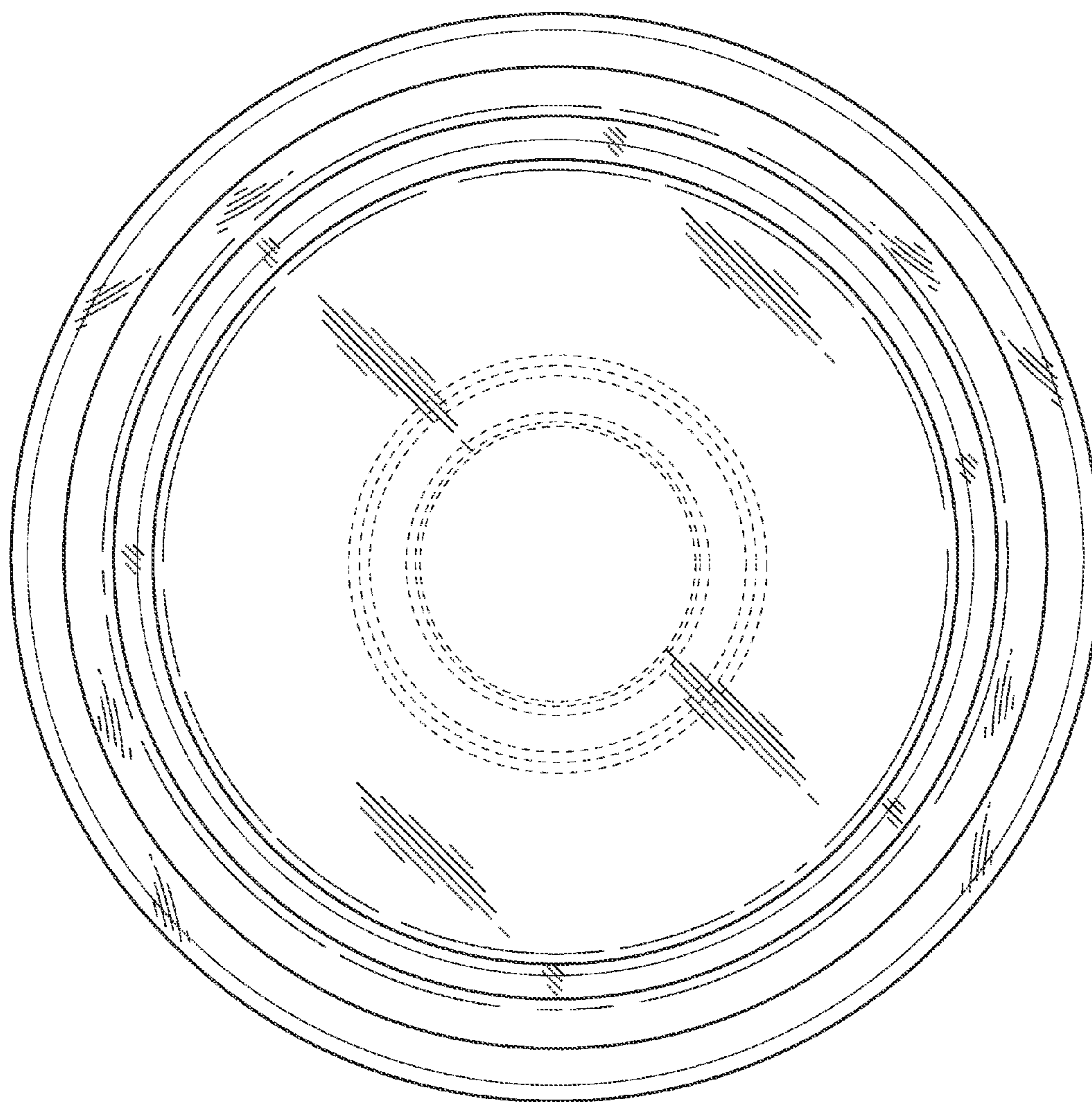


FIG. 10

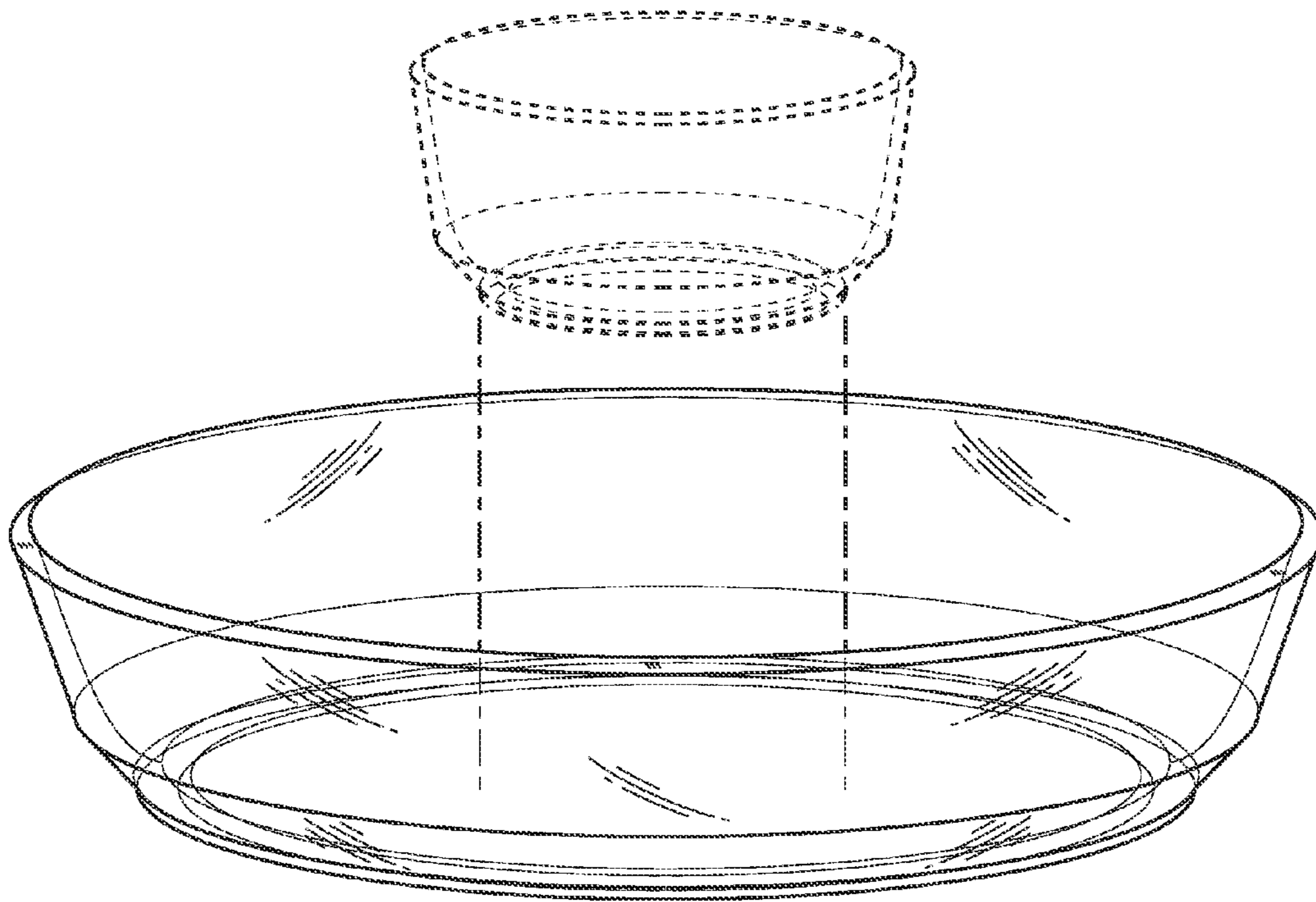


FIG. 11

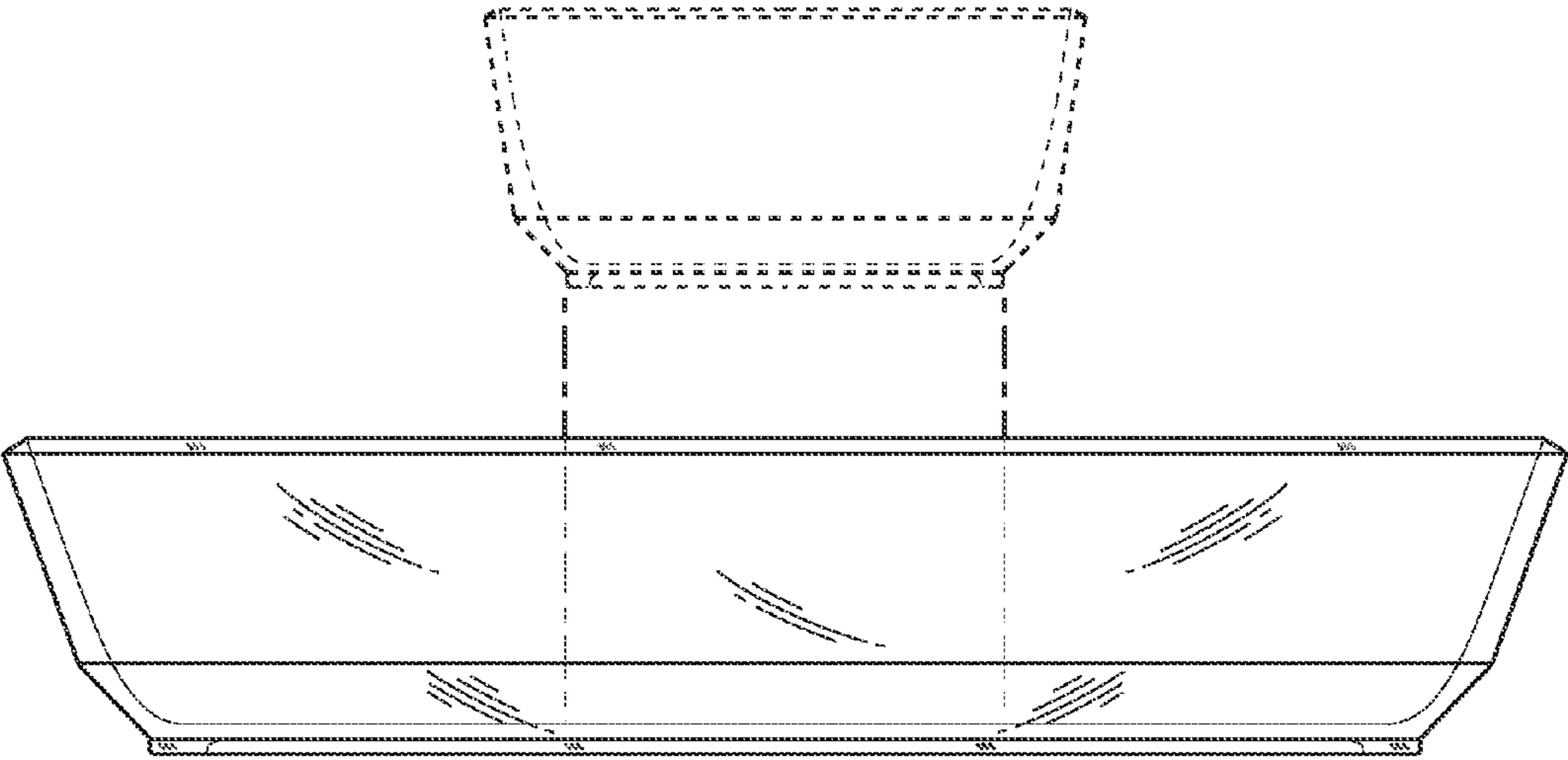


FIG. 12

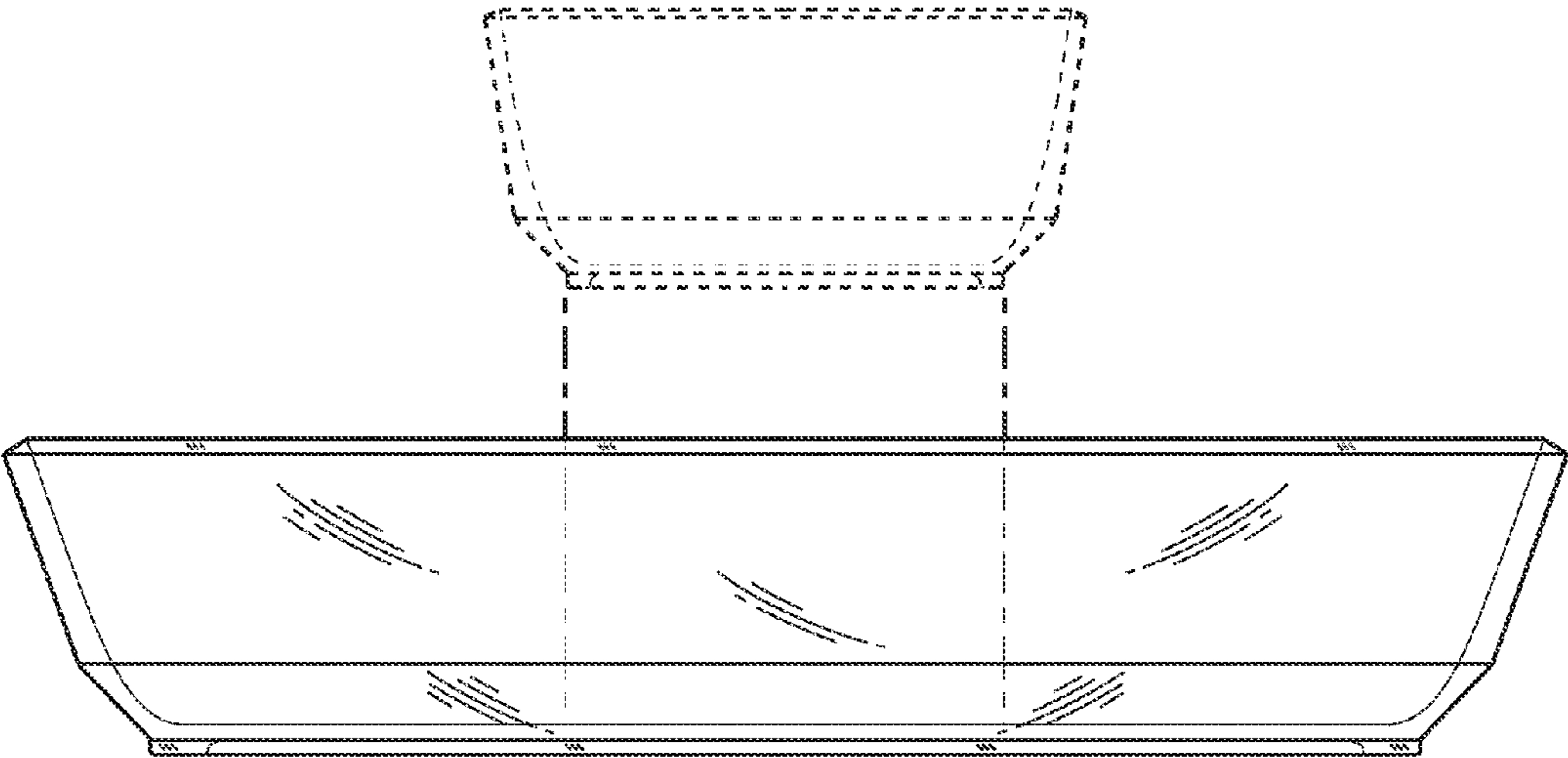


FIG. 13

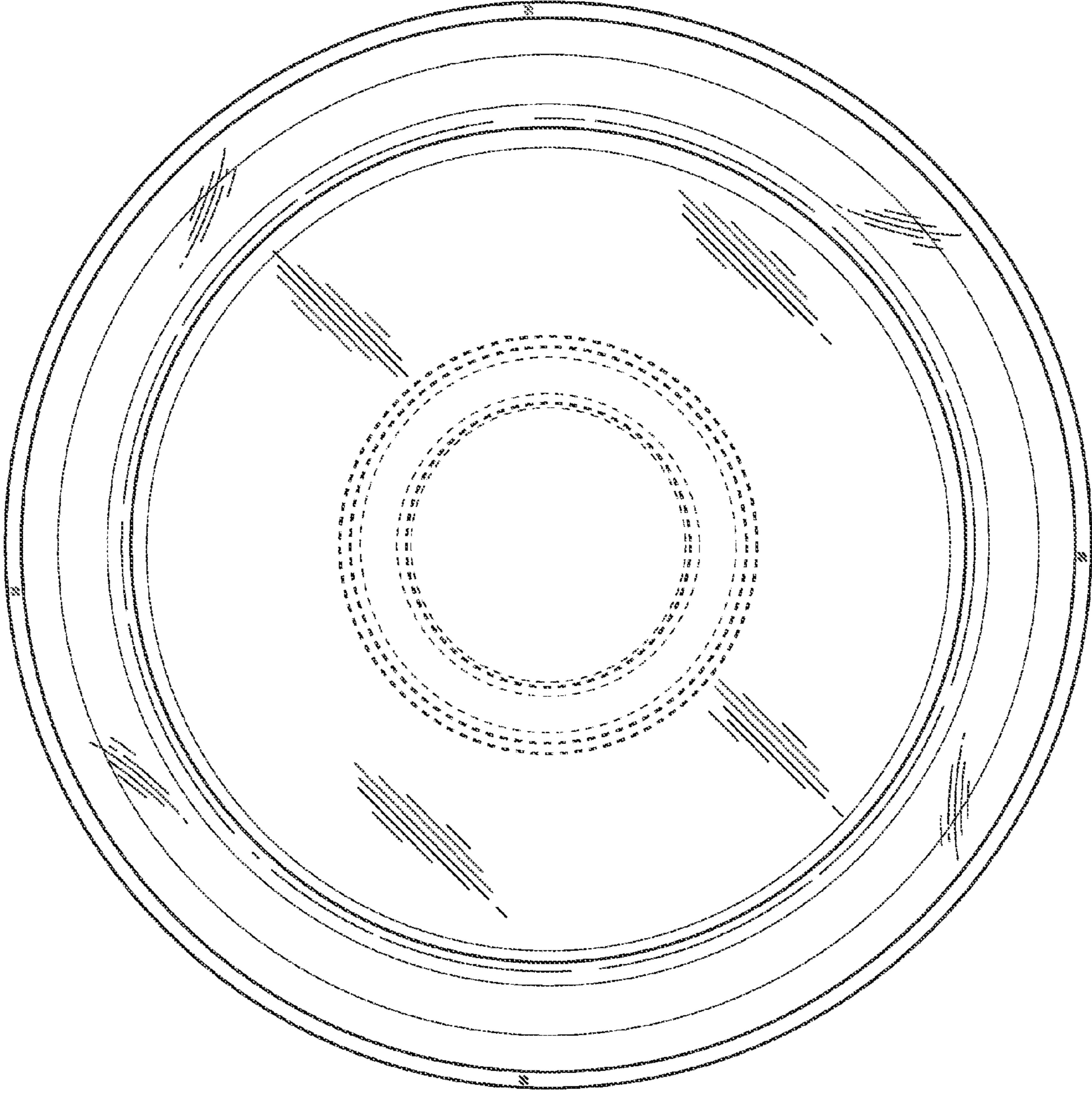


FIG. 14



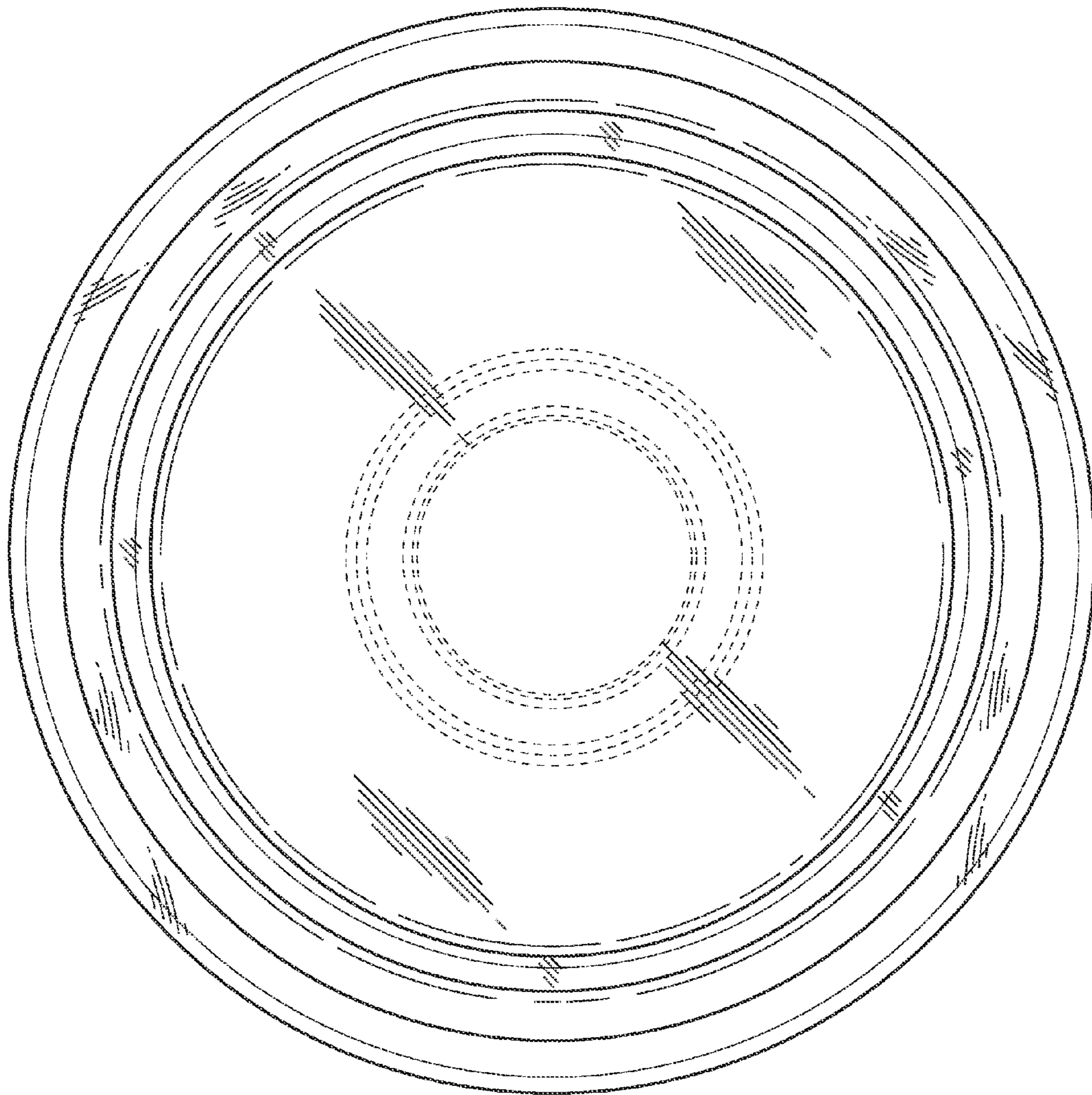


FIG. 15