



US00D693180S

(12) **United States Design Patent**  
**Peterson et al.**

(10) **Patent No.:** **US D693,180 S**

(45) **Date of Patent:** **\*\* Nov. 12, 2013**

(54) **DIVIDED DISH**

(71) Applicant: **Target Brands, Inc.**, Minneapolis, MN (US)

(72) Inventors: **William Peterson**, Minneapolis, MN (US); **Kent D. Katterheinrich**, Shoreview, MN (US)

(73) Assignee: **Target Brands, Inc.**, Minneapolis, MN (US)

(\*\*) Term: **14 Years**

(21) Appl. No.: **29/456,322**

(22) Filed: **May 30, 2013**

(51) **LOC (9) Cl.** ..... **07-01**

(52) **U.S. Cl.**  
USPC ..... **D7/555**

(58) **Field of Classification Search**  
USPC ..... D7/587, 601, 602, 545, 543, 500, 360, D7/361, 552.1, 586, 562, 561, 345, 555, D7/566, 560, 565, 505, 558; D3/306; D1/122; D30/130; 220/751, 23.4, 574, 220/504, 575; D9/643, 744, 341, 342, 343, D9/344, 345, 346, 347, 348; 215/382, 400; D19/76; D6/525, 566, 567, 572, 574, D6/511, 537, 540, 403, 513, 556; 211/181.1, 13.1, 41.3, 41.4, 88.01, 211/85.4; 206/561; D28/61, 73  
See application file for complete search history.

(56) **References Cited**

**U.S. PATENT DOCUMENTS**

D212,495 S \* 10/1968 Stageberg ..... D7/553.3  
D232,302 S \* 8/1974 Lazura ..... D9/761  
4,081,125 A \* 3/1978 Meyers ..... 229/120.02  
D264,791 S \* 6/1982 Conti ..... D7/586  
D301,192 S 5/1989 DeCoster  
D338,808 S 8/1993 Anderson  
D417,366 S \* 12/1999 Obra ..... D7/549

D420,855 S 2/2000 Hurley  
D426,751 S \* 6/2000 Obra ..... D7/555  
D581,720 S \* 12/2008 Kellermann et al. .... D7/357  
D605,896 S 12/2009 Zalewski et al.  
D633,341 S \* 3/2011 Smyers ..... D7/555  
D648,176 S 11/2011 Filbrun  
D664,005 S 7/2012 Seehoff et al.  
D665,628 S \* 8/2012 Mayer ..... D7/553.2

**OTHER PUBLICATIONS**

U.S. Appl. No. 29/455,826, filed May 24, 2013 (24 pages).  
U.S. Appl. No. 29/447,466, filed Mar. 4, 2013 (15 pages).  
“Bread & Oil Server”, printed from www.crateandbarrel.com/bread-and-oil-server/s271284 on Mar. 21, 2013 (2 pages).  
“Katie Brown Northern Shores Rectangular Platter”, printed from www.meijer.com/s/katie-brown-northern-shores-rectangular-platter/\_/R-148594 on Mar. 25, 2013 (3 pages).  
“Core Bamboo Sale”, printed from www.onekingslane.com/sales/19917 on Mar. 25, 2013 (4 pages).

\* cited by examiner

*Primary Examiner* — Cynthia Underwood

(74) *Attorney, Agent, or Firm* — Griffiths & Seaton PLLC

(57) **CLAIM**

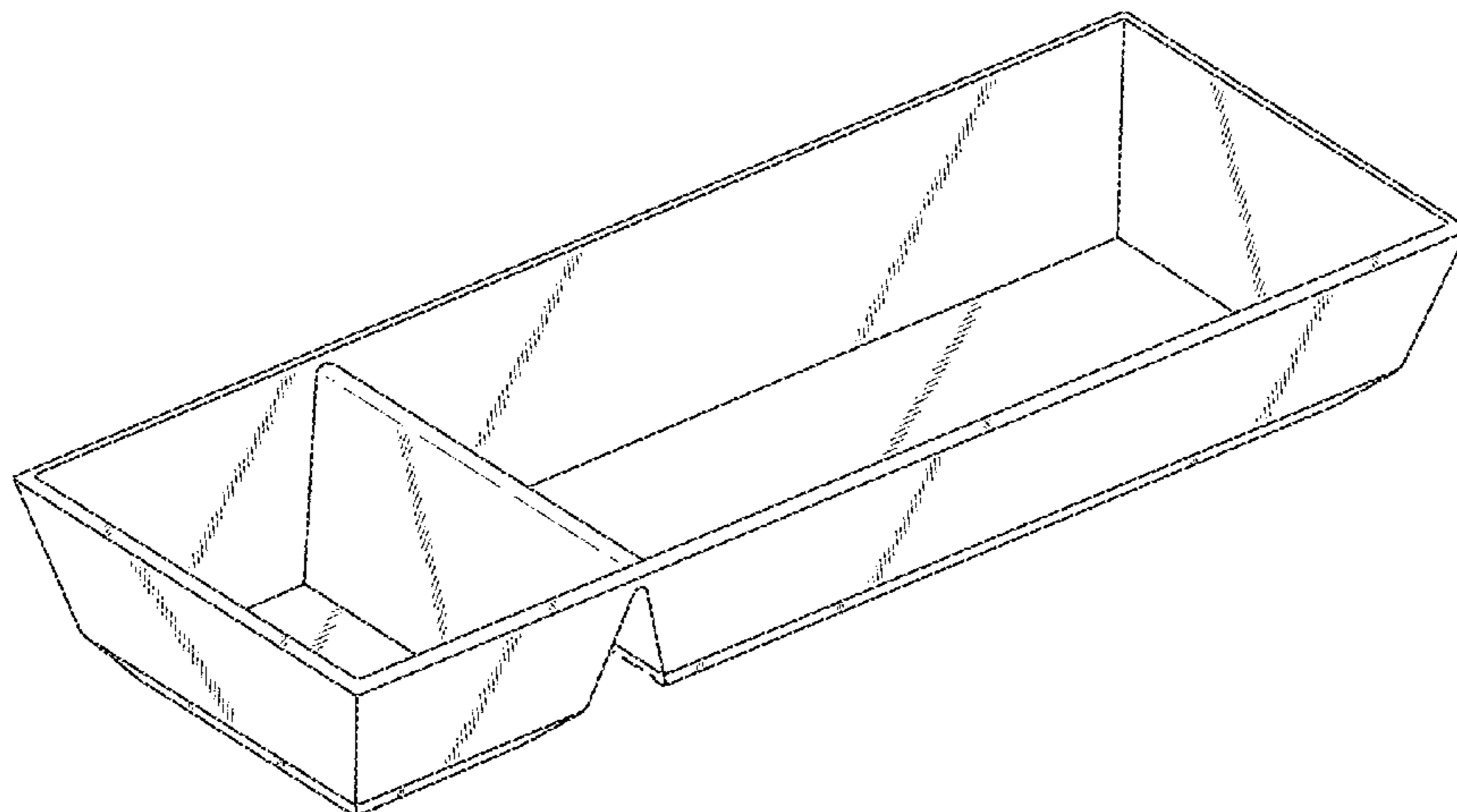
The ornamental design for a divided dish, as shown and described.

**DESCRIPTION**

FIG. 1 is a front, perspective view of a divided dish showing a first embodiment of our new design;  
FIG. 2 is a front view thereof, the rear view being a mirror image of the front view;  
FIG. 3 is a right side view thereof, the left side view being a mirror image of the right side view;  
FIG. 4 is a top view thereof; and,  
FIG. 5 is a bottom view thereof.

The features shown in long dash-short dash bolded broken lines indicate the bounds of the claimed design and form no part of the claimed design.

**1 Claim, 4 Drawing Sheets**



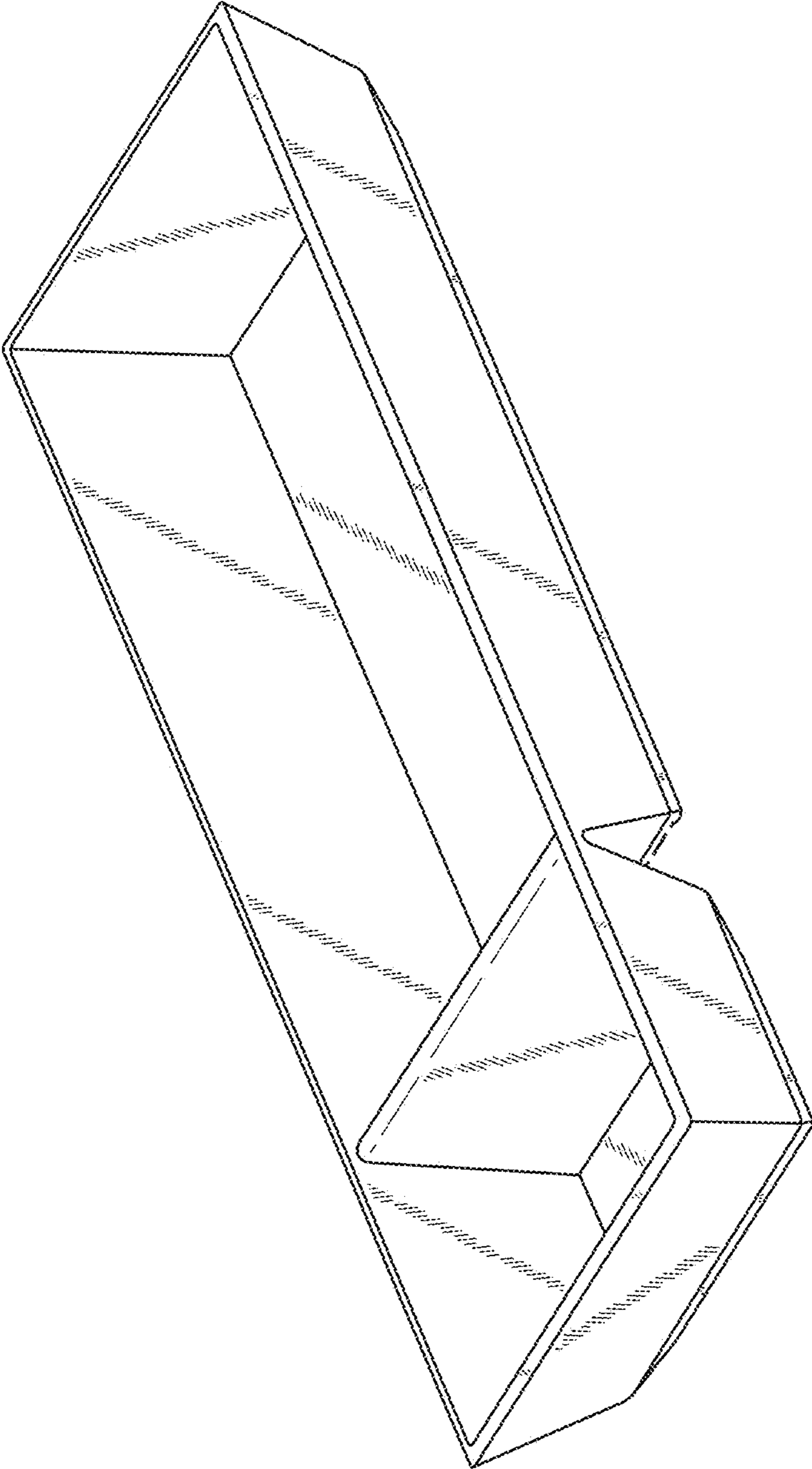


FIG. 1

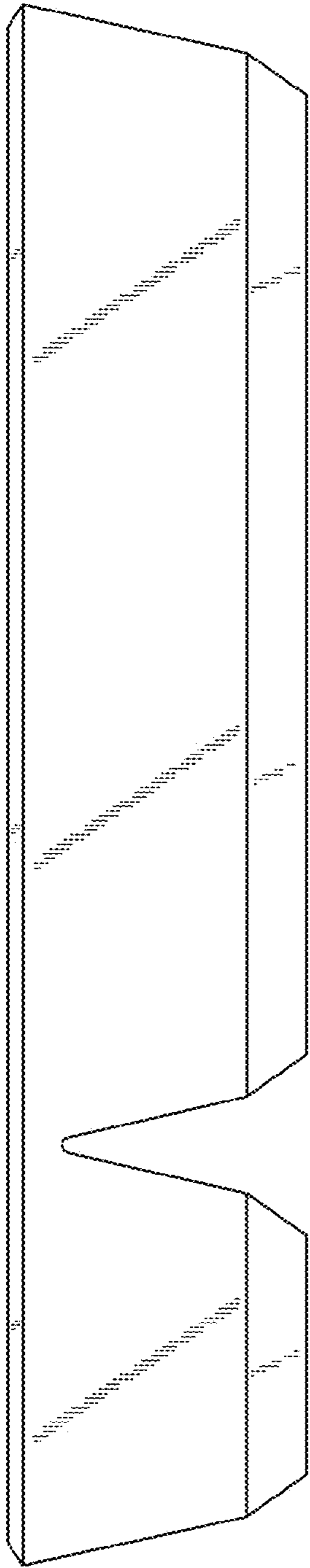


FIG. 2

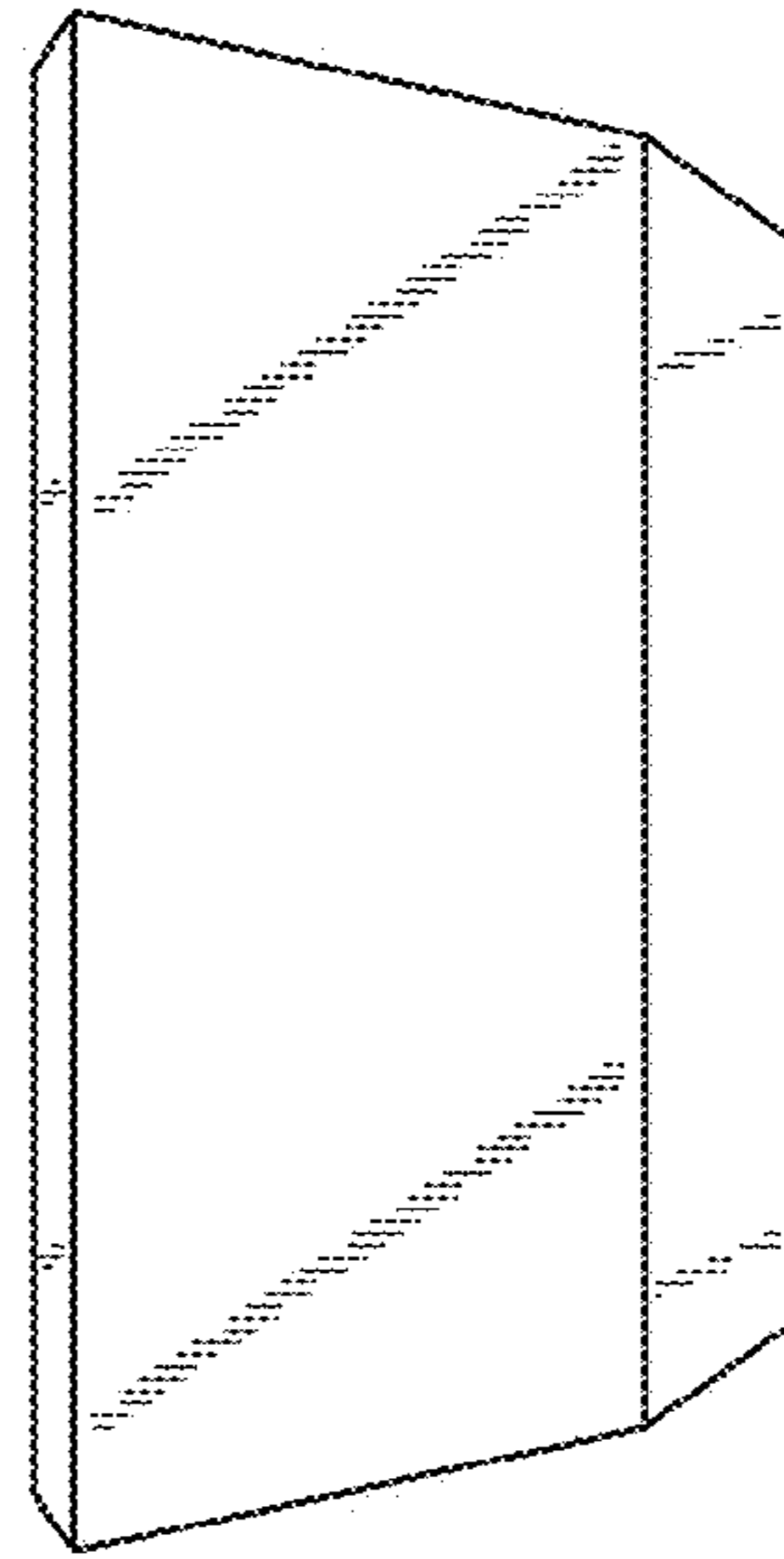


FIG. 3

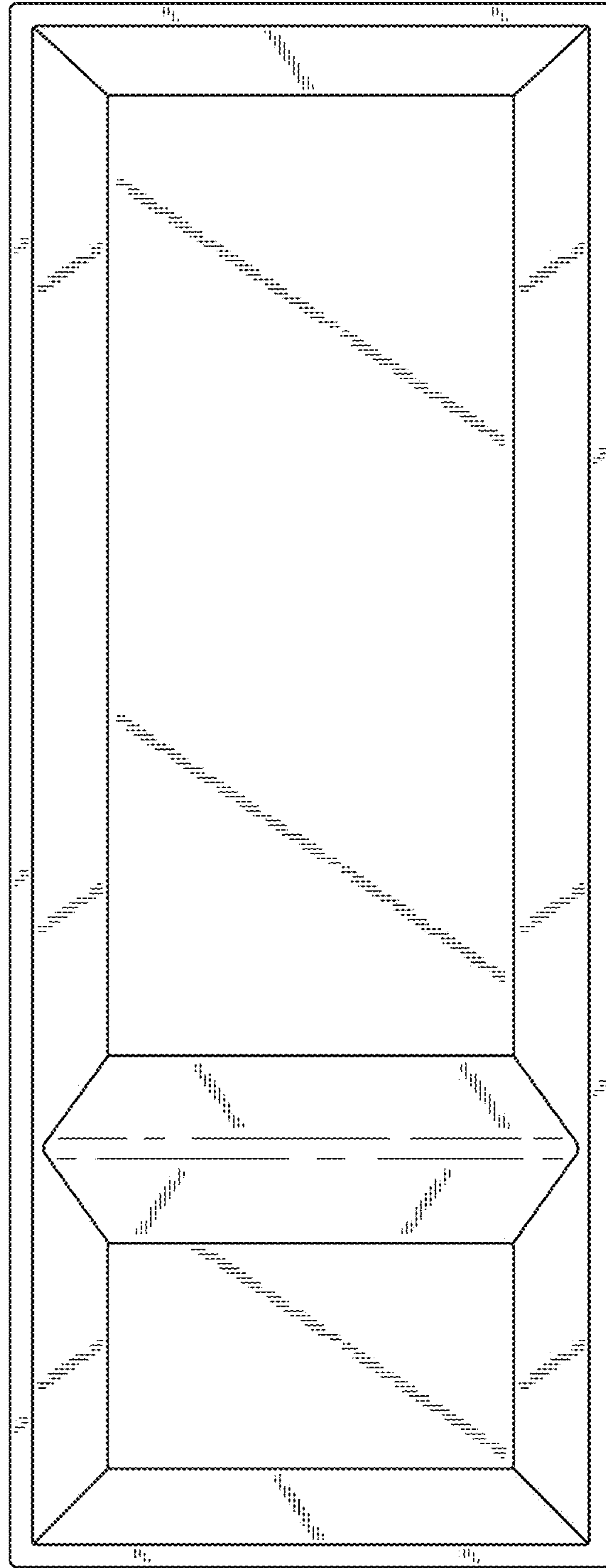


FIG. 4

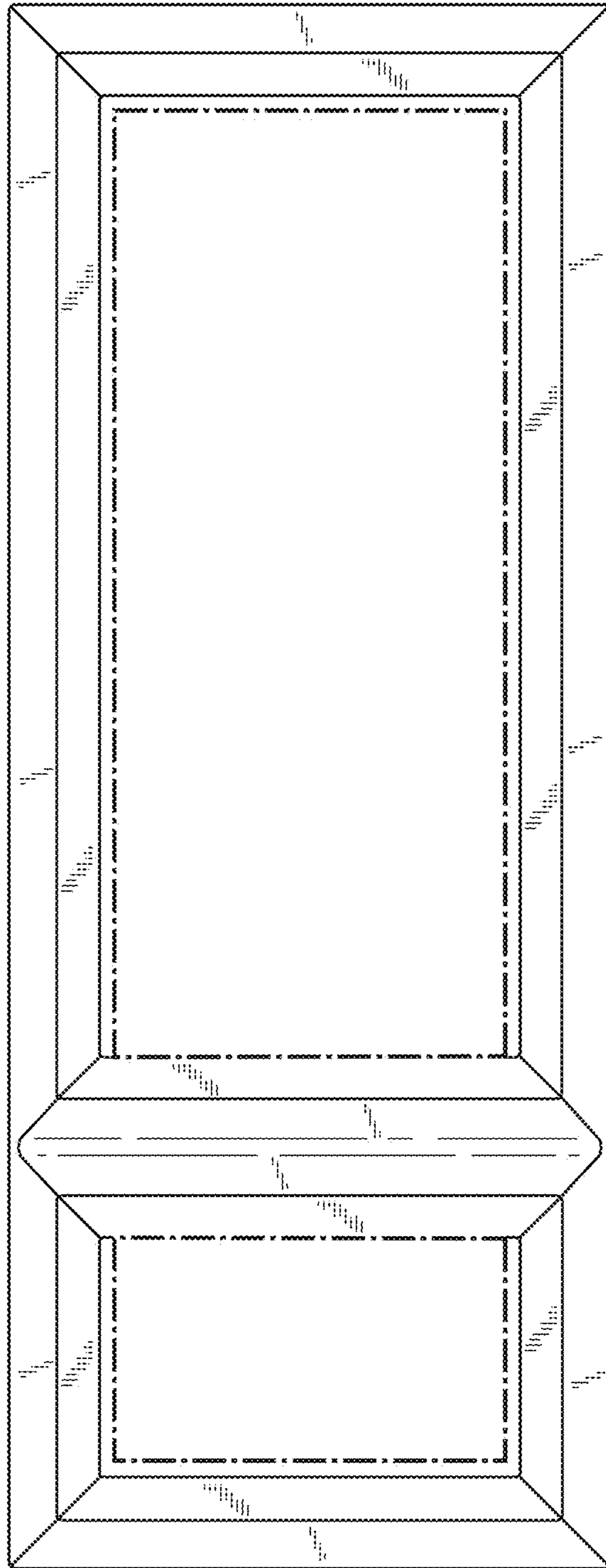


FIG. 5