



US00D693178S

(12) **United States Design Patent**
Wilson

(10) **Patent No.:** **US D693,178 S**

(45) **Date of Patent:** **** Nov. 12, 2013**

(54) **TRAY**

(71) Applicant: **Target Brands, Inc.**, Minneapolis, MN
(US)

(72) Inventor: **Jessica Mary Wilson**, Minneapolis, MN
(US)

(73) Assignee: **Target Brands, Inc.**, Minneapolis, MN
(US)

(**) Term: **14 Years**

(21) Appl. No.: **29/449,036**

(22) Filed: **Mar. 14, 2013**

(51) **LOC (9) Cl.** **07-01**

(52) **U.S. Cl.**
USPC **D7/553.2**

(58) **Field of Classification Search**
USPC D3/500-501, 550.1, 553.1-553.6,
D3/553.7-553.8, 549, 584-588, 304;
211/131.1, 163; 206/562-565, 217;
220/555

See application file for complete search history.

(56) **References Cited**

U.S. PATENT DOCUMENTS

D185,872 S	8/1959	Forsman	
D318,207 S	7/1991	Anderson	
D363,856 S	11/1995	Westbrooks, Jr.	
D366,187 S	1/1996	Van Den Kieboom	
D378,726 S	4/1997	Dunn	
D420,283 S	2/2000	Reichel	
D429,147 S	8/2000	Baker et al.	
D430,013 S *	8/2000	Shurtleff et al.	D9/749
D473,427 S	4/2003	Kleckauskas et al.	
D530,625 S *	10/2006	Darin	D9/761
D531,518 S *	11/2006	Ramm et al.	D9/749
D568,111 S *	5/2008	Epstein	D7/553.7
D605,896 S *	12/2009	Zalewski et al.	D7/553.1

D610,406 S *	2/2010	Rauckman	D7/541
D611,759 S *	3/2010	Kirk	D7/357
D616,250 S *	5/2010	Peyton et al.	D7/553.3
D634,619 S *	3/2011	Fisher	D9/425
D645,708 S *	9/2011	Stamper et al.	D7/602
D649,838 S *	12/2011	Stamper et al.	D7/602
D651,047 S *	12/2011	Johnson et al.	D7/553.1
D672,395 S *	12/2012	Chuang	D19/77

OTHER PUBLICATIONS

“Cambro 2 qt. Triangular Serving Tray”, printed from www.foodservicewarehouse.com/cambro/sft1010/p381109.aspx on Mar. 2, 2013 (2 pages).

“Interdesign Clear Rain Tray 3S”, printed from www.sears.com/interdesign-clear-rain-tray-3s/p-09699995000P?prdNo=5&blockNo=5&blockType=G5 on Feb. 8, 2013 (2 pages).

“White Porcelain Triangle Appetizer Dish”, printed from www.overstock.com/Home-Garden/White-Porcelain-Triangle-Appetizer-Dish/7257109/product.html on Mar. 2, 2013 (2 pages).

(Continued)

Primary Examiner — Kelley Donnelly

(74) *Attorney, Agent, or Firm* — Griffiths & Seaton PLLC;
JoAnn M. Seaton

(57) **CLAIM**

The ornamental design for a tray, as shown and described.

DESCRIPTION

FIG. 1 is a front, perspective view of a tray showing our new design;

FIG. 2 is a front view thereof;

FIG. 3 is a rear view thereof;

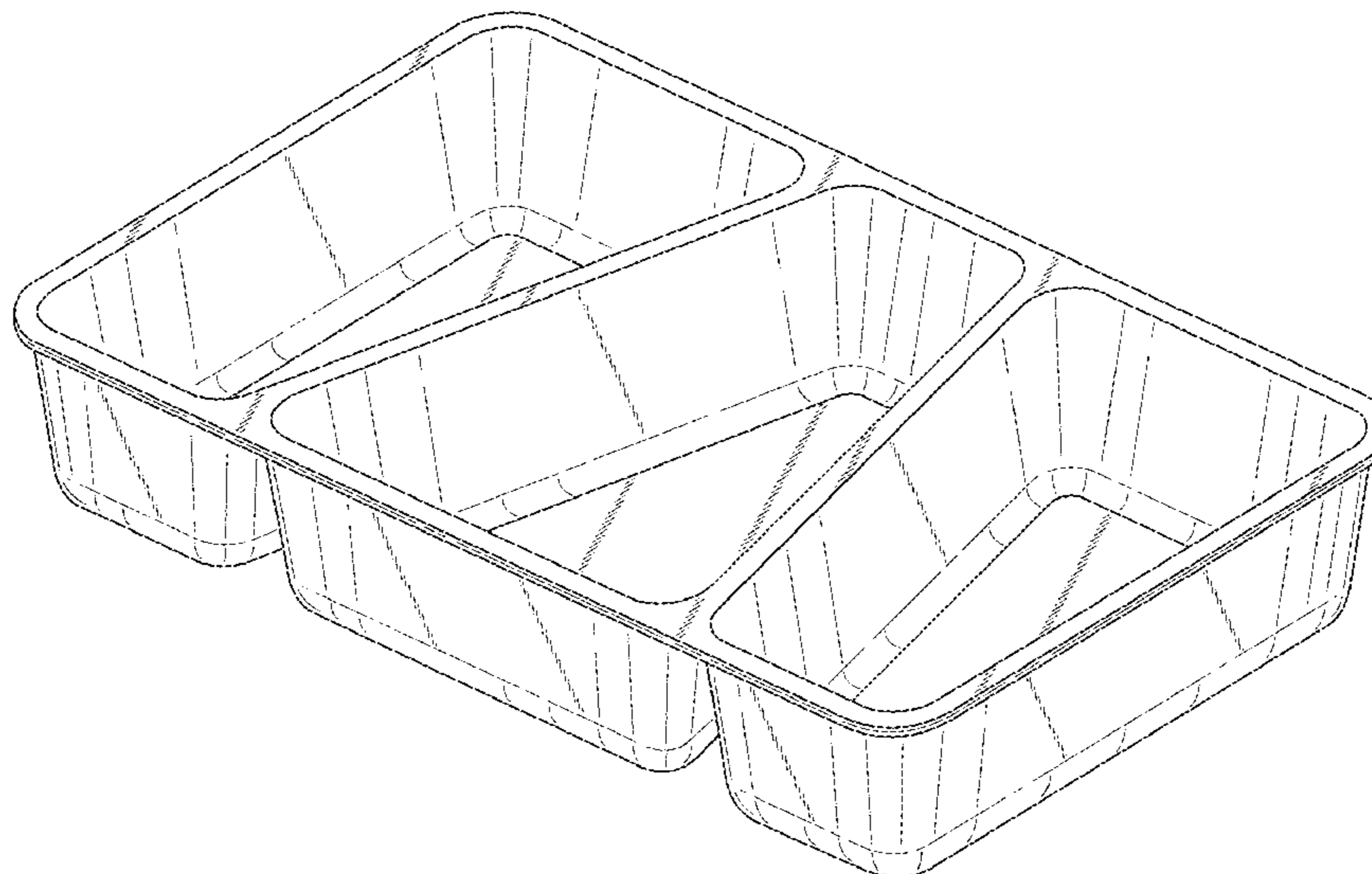
FIG. 4 is a right side view thereof, the left side view being a mirror image of the right side view;

FIG. 5 is a top view thereof; and,

FIG. 6 is a bottom view thereof.

The features shown in broken lines are portions of the tray forming no part of the claimed design.

1 Claim, 6 Drawing Sheets



(56)

References Cited

OTHER PUBLICATIONS

“Vollrath 82068 Triangular Stainless Steel Serving Tray Large Triangular Tray 17 inches”, printed from www.twinsupply.com/vollrathfoodservice/proddetail.asp?prod=82068 on Mar. 2, 2013 (3 pages).

“Mouse Chef Figural Snack Tray by ESD Lefton”, printed from <http://www.etsy.com/listing/80825459/mouse-chef-figural-snack> on Feb. 13, 2012 (2 pages).

* cited by examiner

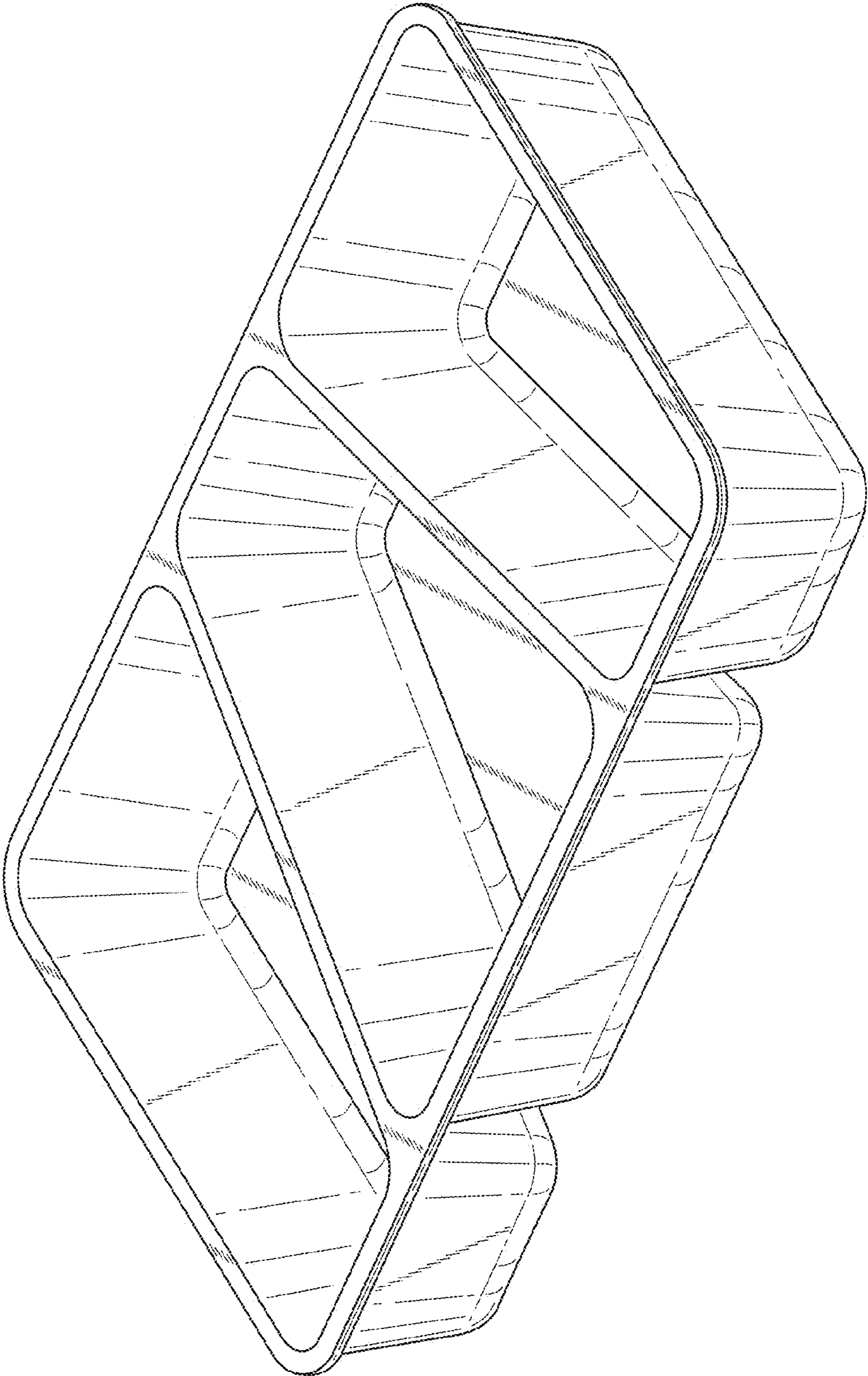


FIG. 1

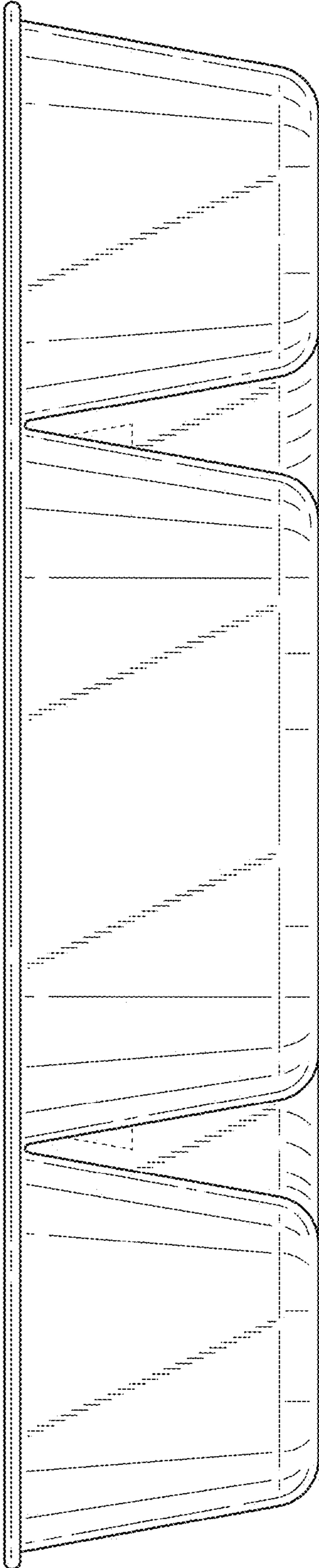


FIG. 2

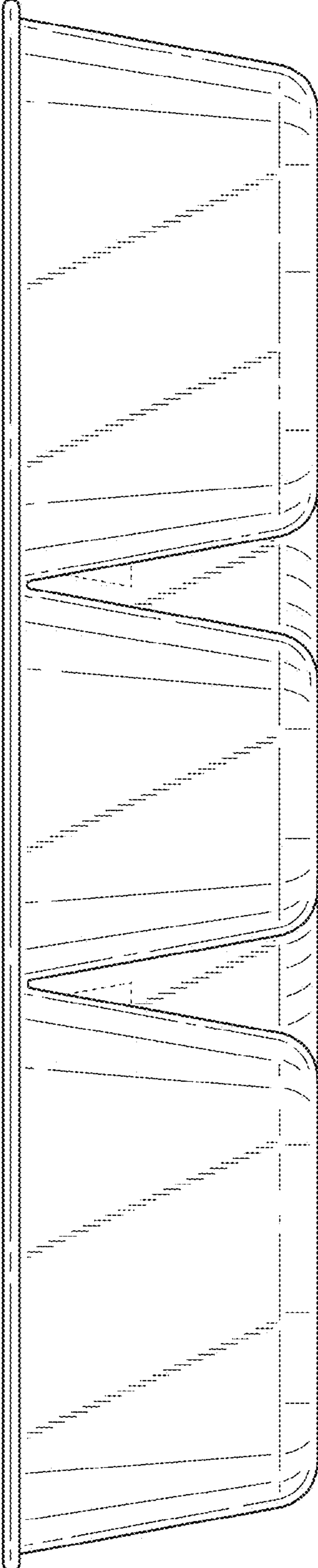


FIG. 3

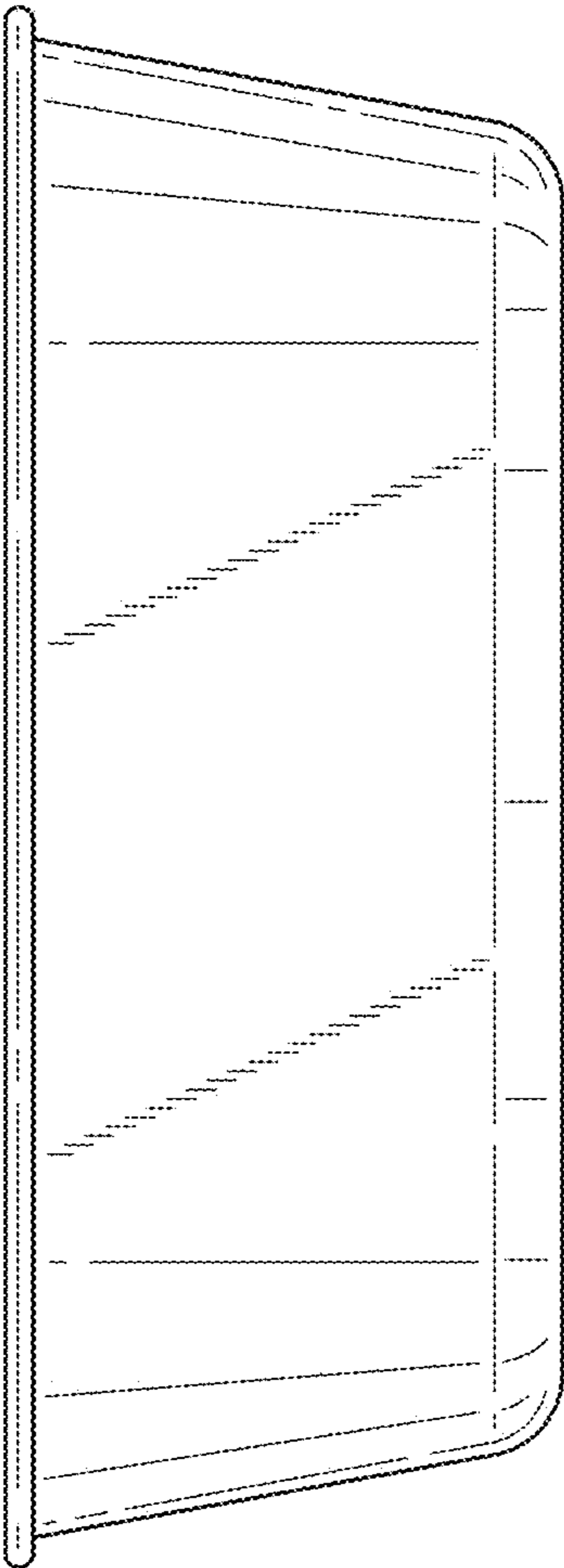


FIG. 4

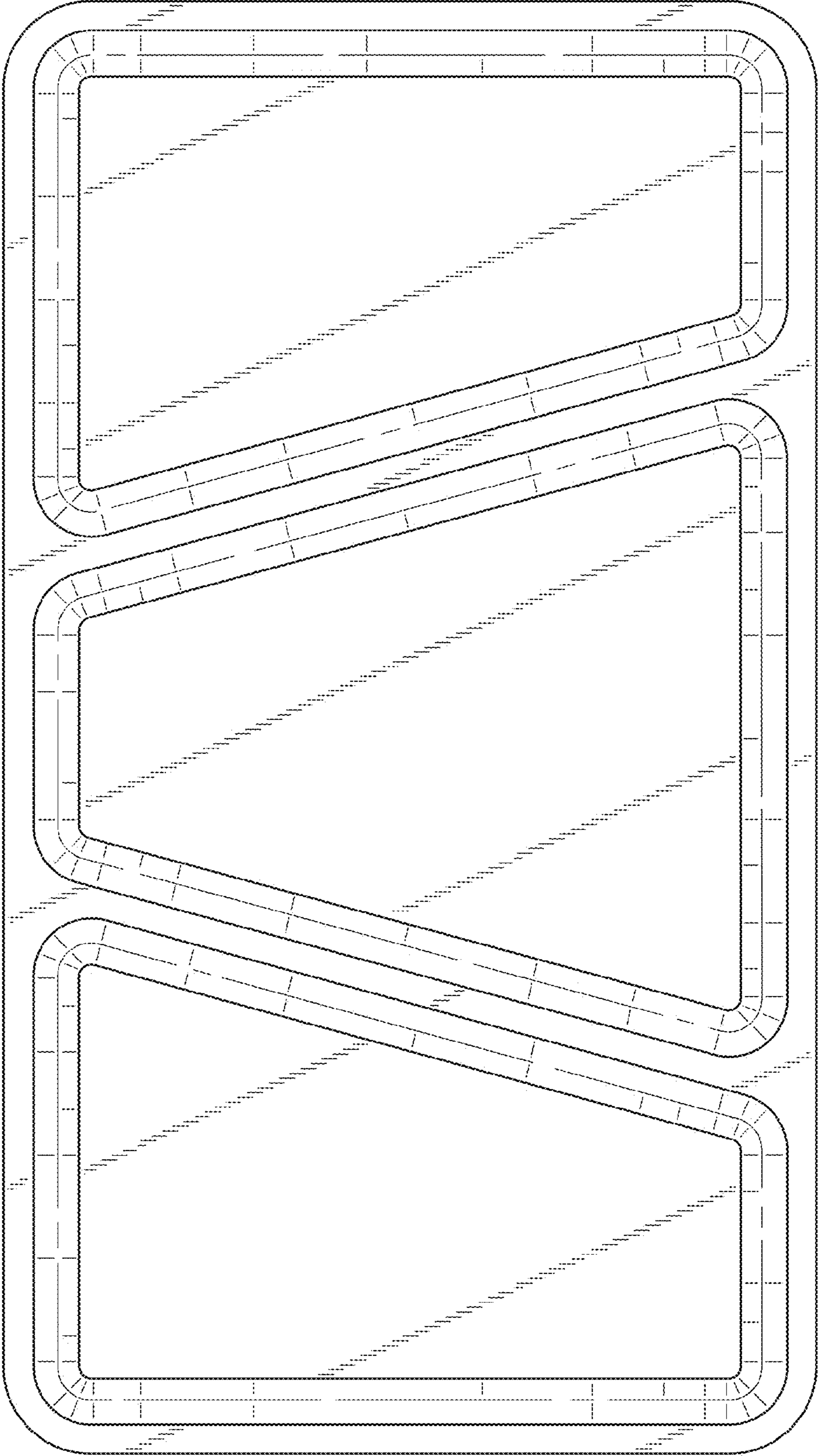


FIG. 5

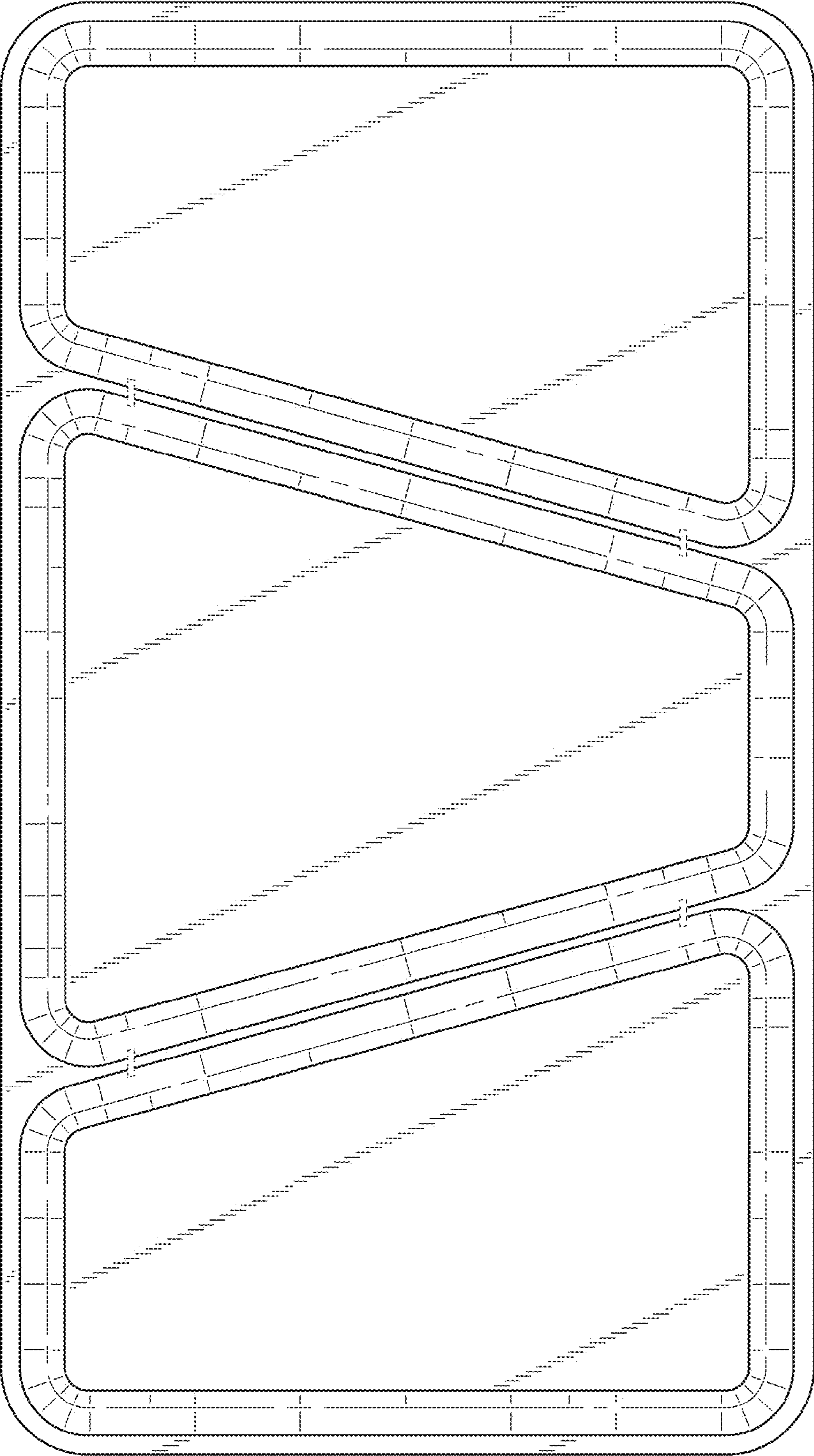


FIG. 6