



US00D693174S

(12) **United States Design Patent**  
**Measom et al.**

(10) **Patent No.:** **US D693,174 S**

(45) **Date of Patent:** **\*\* Nov. 12, 2013**

(54) **PIZZA OVEN**

(75) Inventors: **Ty Measom**, Logan, UT (US); **Brett Bennett**, Mantua, UT (US)

(73) Assignee: **Logan Outdoors Products, L.L.C.**, Hyde Park, UT (US)

(\*\*) Term: **14 Years**

(21) Appl. No.: **29/424,501**

(22) Filed: **Jun. 13, 2012**

(51) **LOC (9) Cl.** ..... **07-02**

(52) **U.S. Cl.**  
USPC ..... **D7/402**

(58) **Field of Classification Search**  
USPC ..... D7/332, 334-337, 403-405, 408;  
220/592.22; 126/152 B, 25 R, 215, 211,  
126/41 R, 39 G, 15 R, 19 M, 275 R, 214 R,  
126/220, 287, 290, 293, 285, 163 R, 160,  
126/21 R, 214 C, 285 R, 9 R; D23/347, 372,  
D23/421

See application file for complete search history.

(56) **References Cited**

**U.S. PATENT DOCUMENTS**

D182,222 S \* 3/1958 Best ..... D7/337  
D344,871 S \* 3/1994 Keller ..... D7/348  
D367,203 S \* 2/1996 Sprouls ..... D7/348

D371,274 S \* 7/1996 Sitaras ..... D7/350.4  
D457,776 S \* 5/2002 DeMars ..... D7/332  
D460,312 S \* 7/2002 Fry et al. .... D7/334  
D577,947 S \* 10/2008 Wimmer ..... D7/350.1  
D640,499 S \* 6/2011 King et al. .... D7/348  
2006/0191528 A1 \* 8/2006 Spangrud ..... 126/275 R  
2010/0252021 A1 \* 10/2010 Bryce et al. .... 126/25 R

\* cited by examiner

*Primary Examiner* — Ruth McInroy

(74) *Attorney, Agent, or Firm* — Peck Hadfield Baxter & Moore, LLC; Preston P. Frischknecht

(57) **CLAIM**

The ornamental design for a pizza oven, as shown and described.

**DESCRIPTION**

FIG. 1 is a top, front perspective view of a pizza oven showing our new design;

FIG. 2 is a top plan view thereof;

FIG. 3 is a bottom plan view thereof;

FIG. 4 is a rear view thereof;

FIG. 5 is a front view thereof;

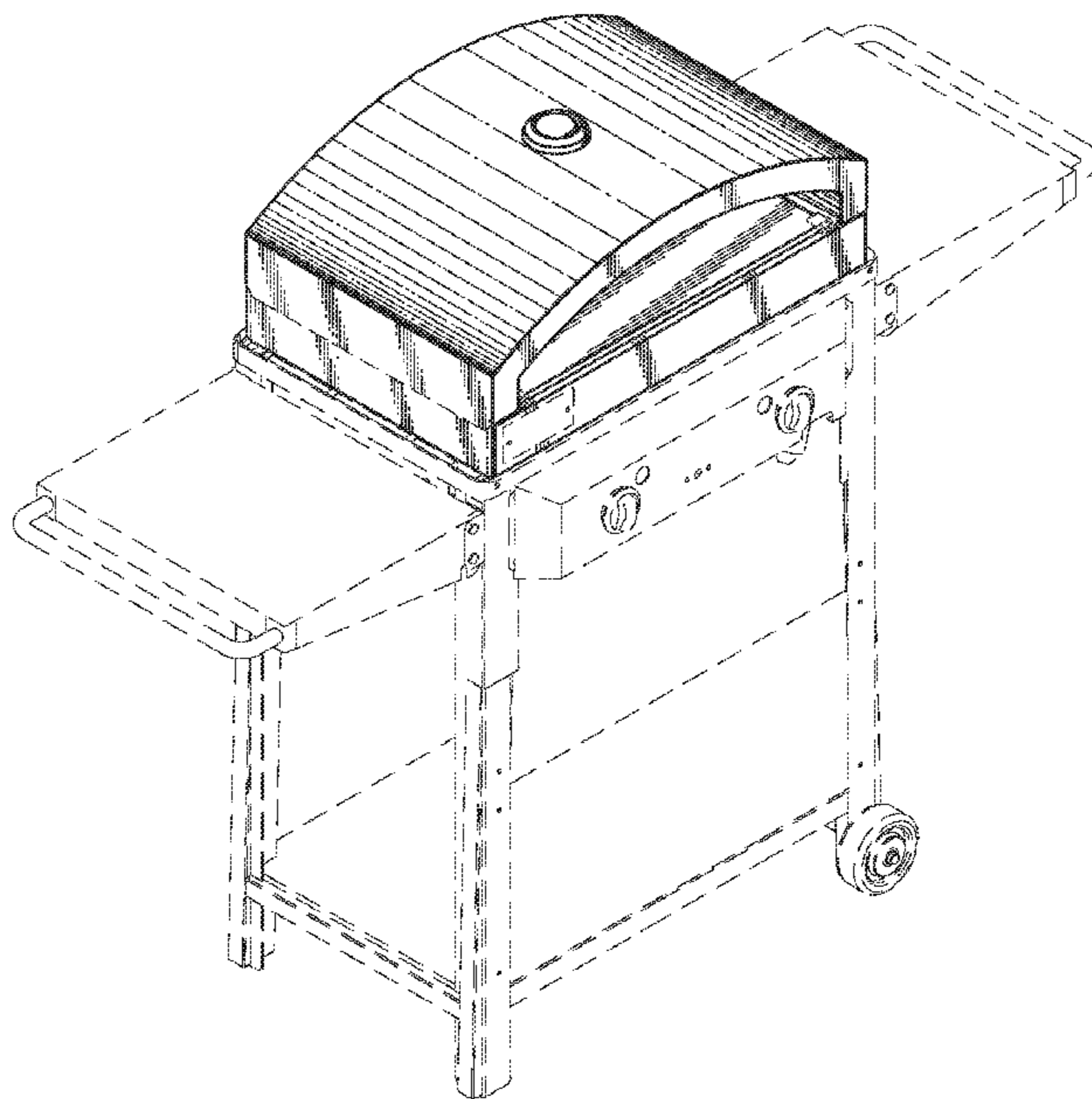
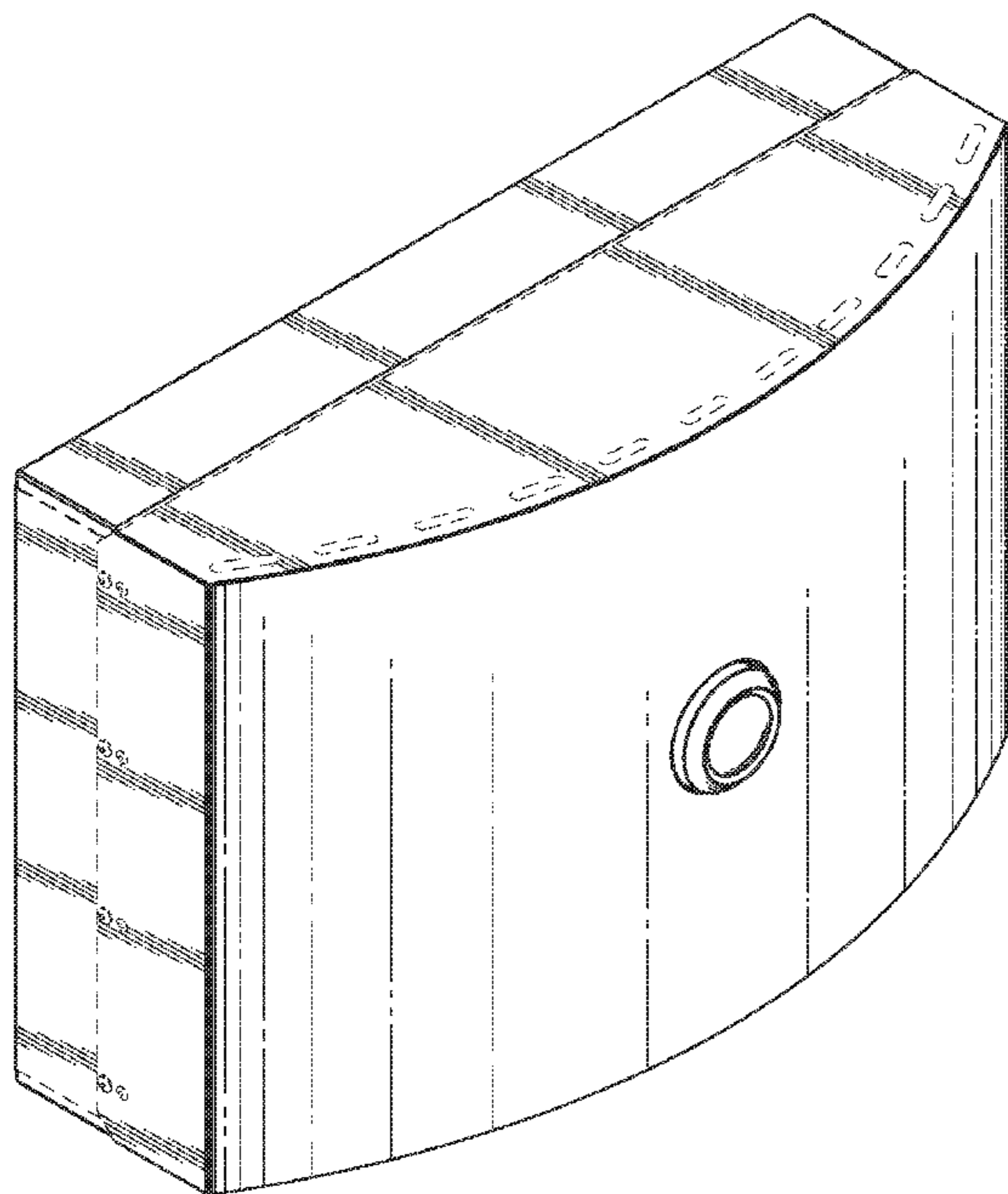
FIG. 6 is a right side view thereof;

FIG. 7 is a left side view thereof; and,

FIG. 8 is an isometric view thereof.

The details shown in broken lines form no part of the claimed design.

**1 Claim, 7 Drawing Sheets**



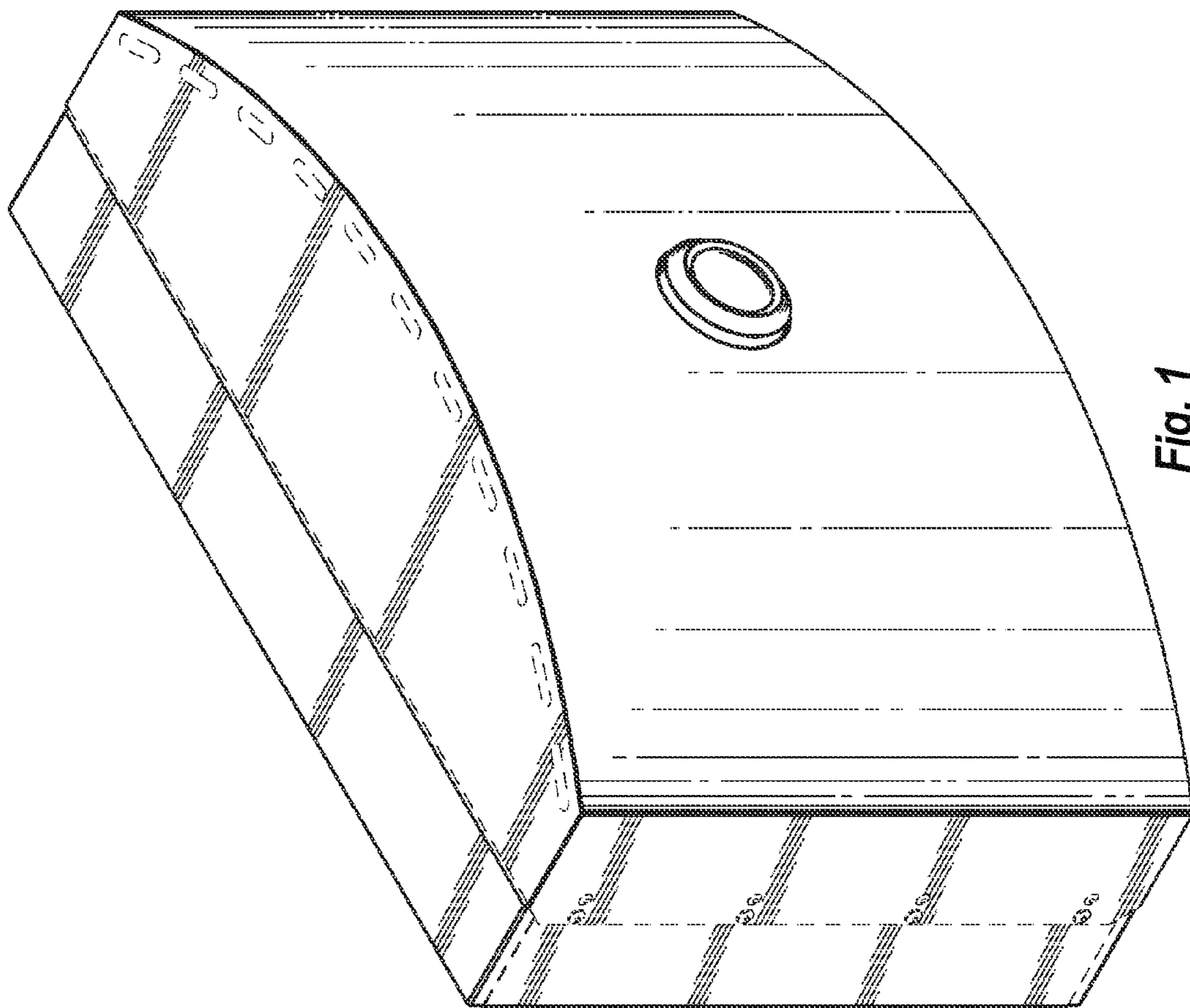


Fig. 1

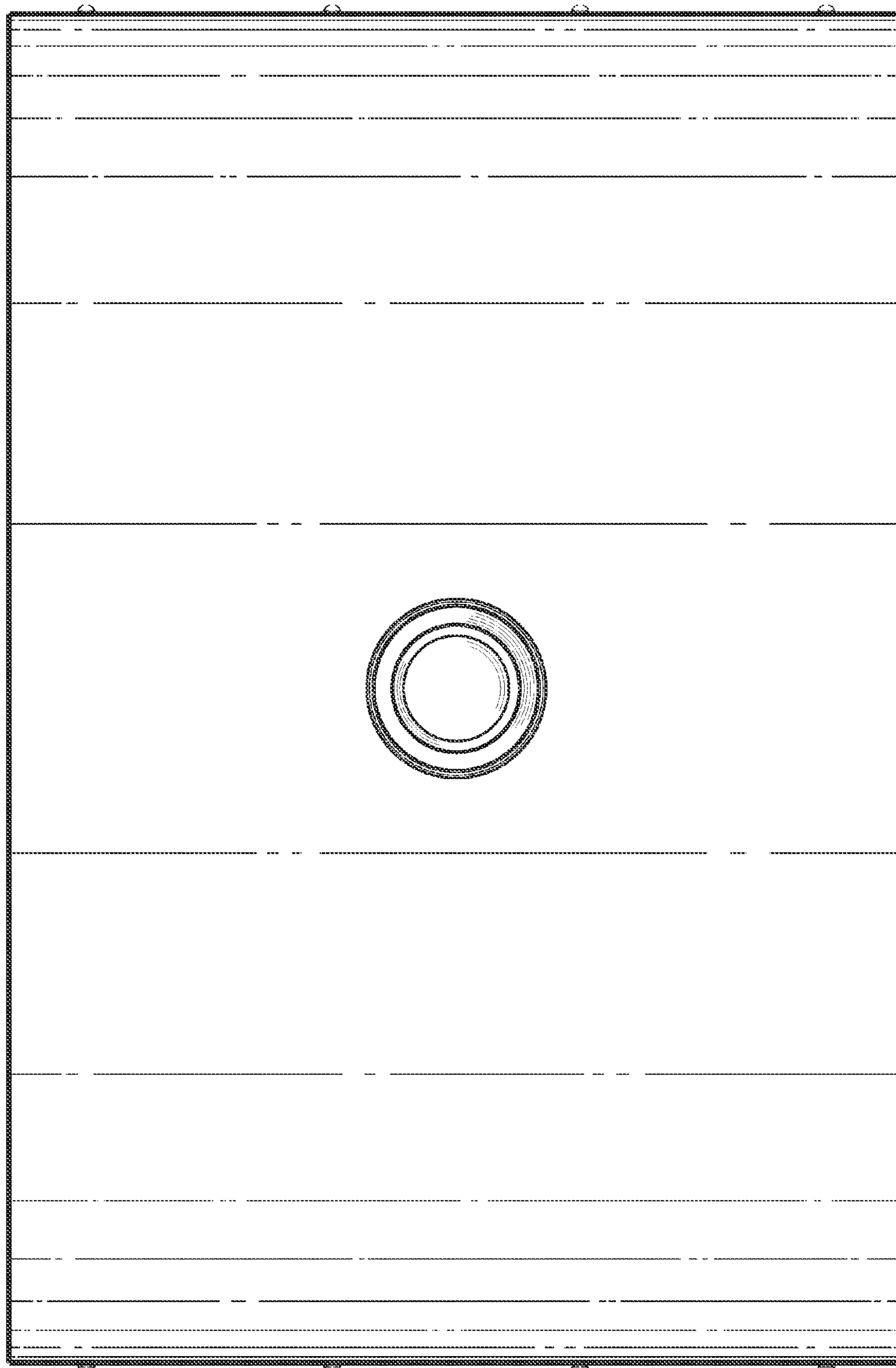


Fig. 2

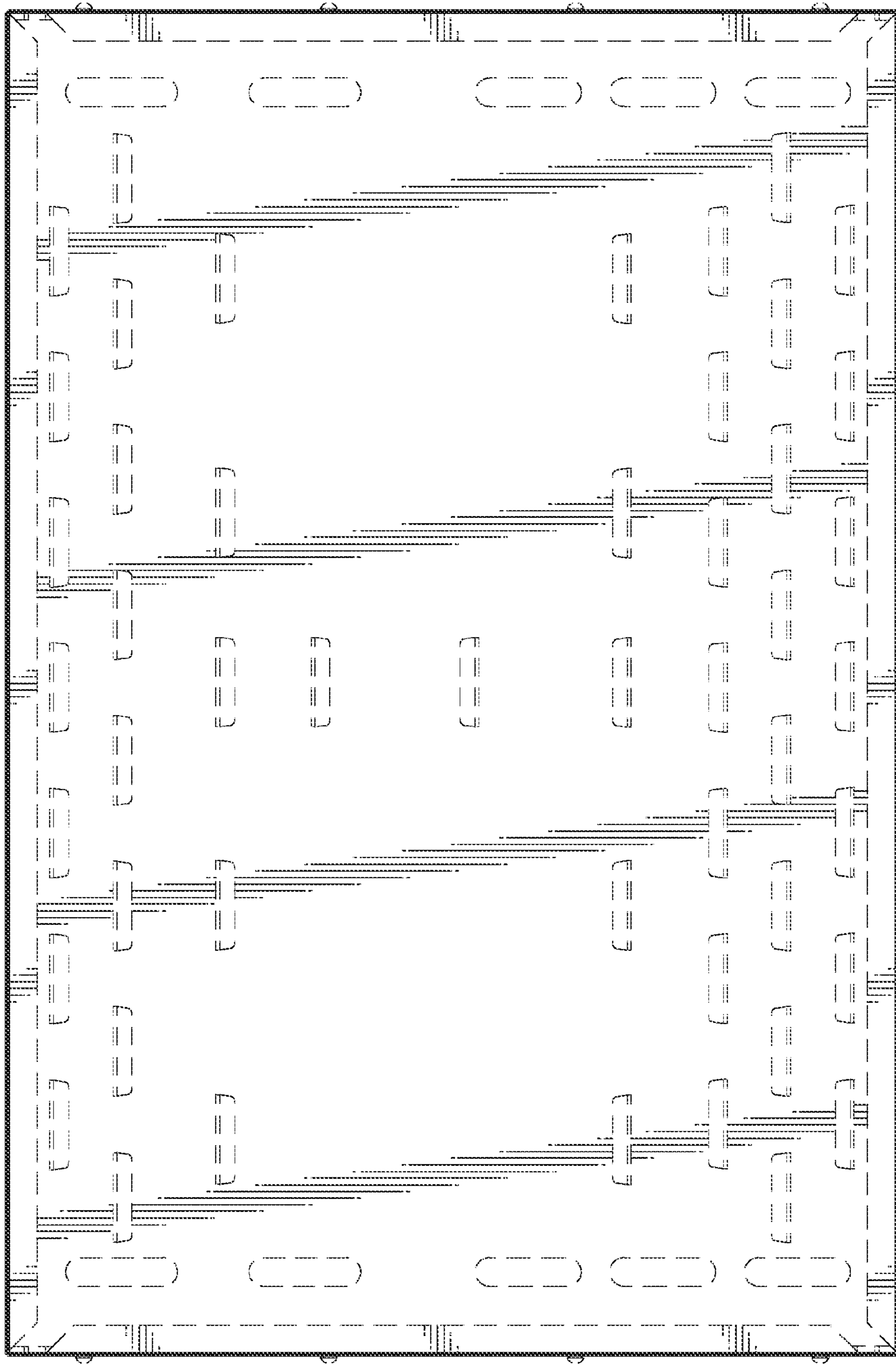


Fig. 3

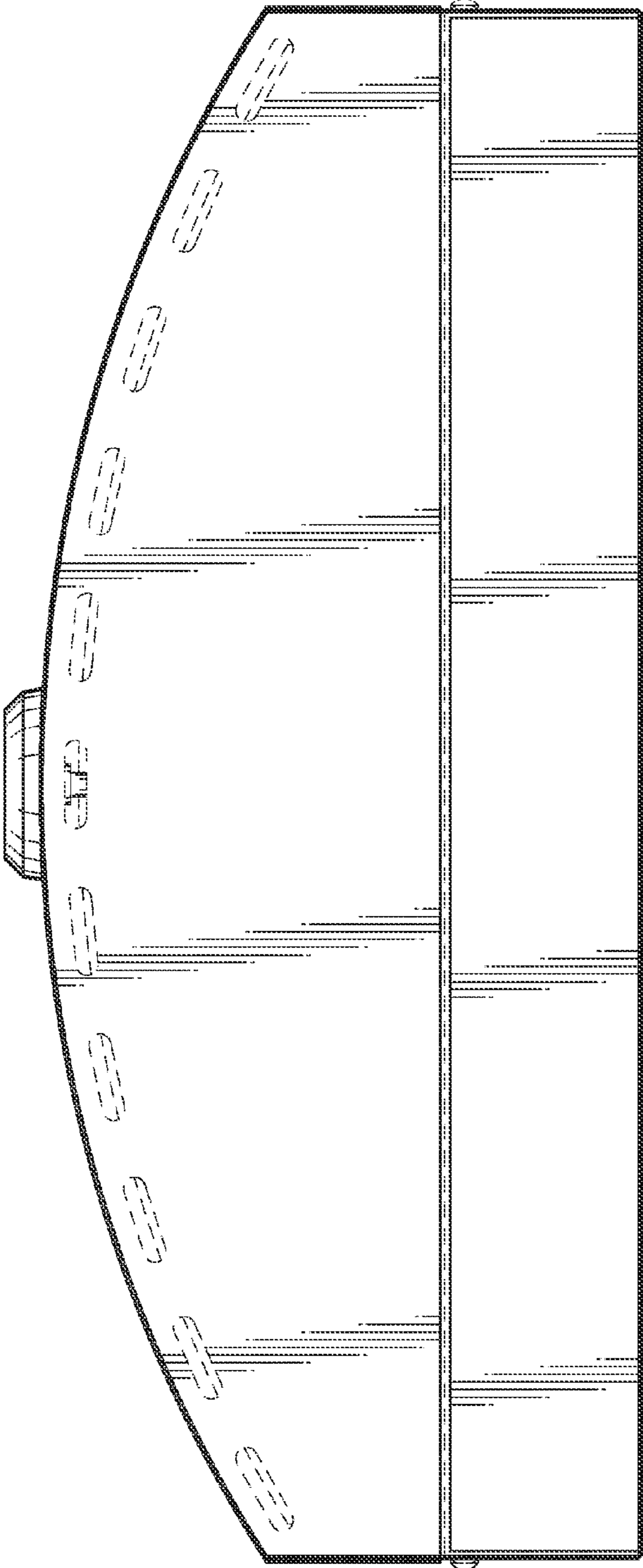


Fig. 4

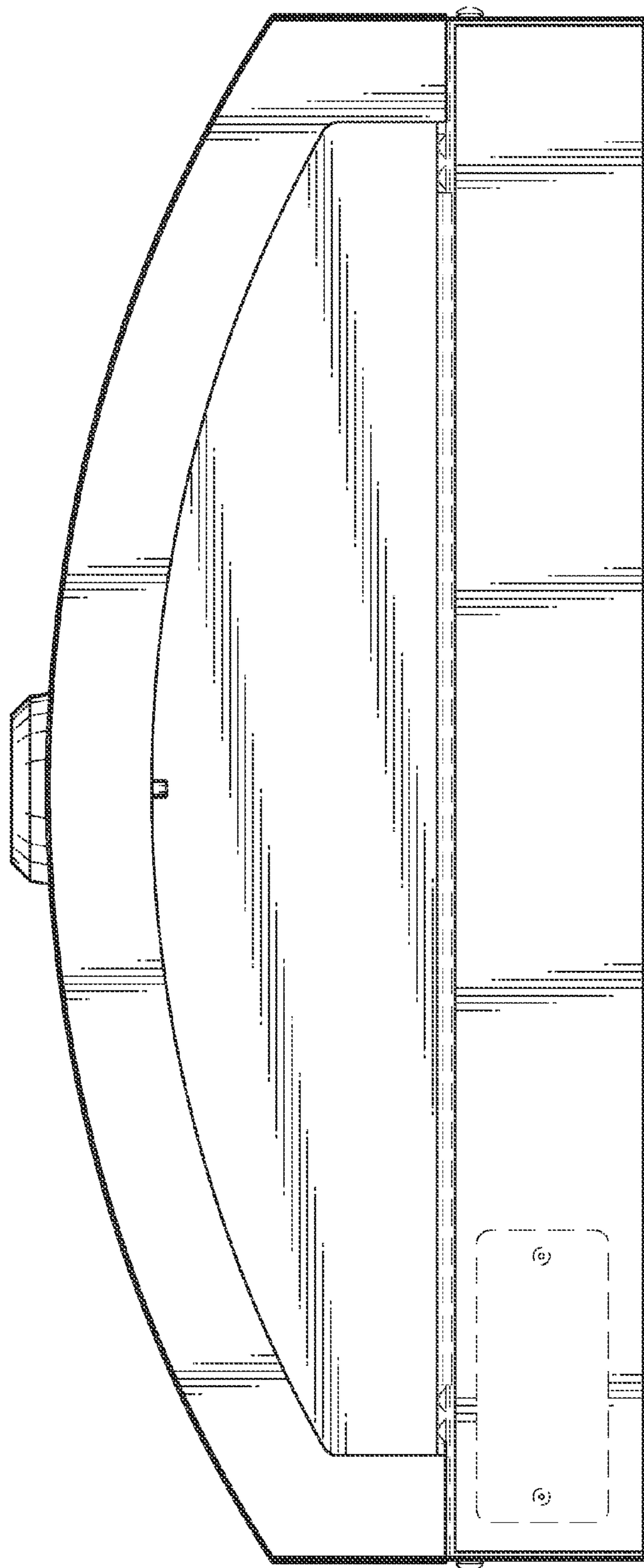


Fig. 5

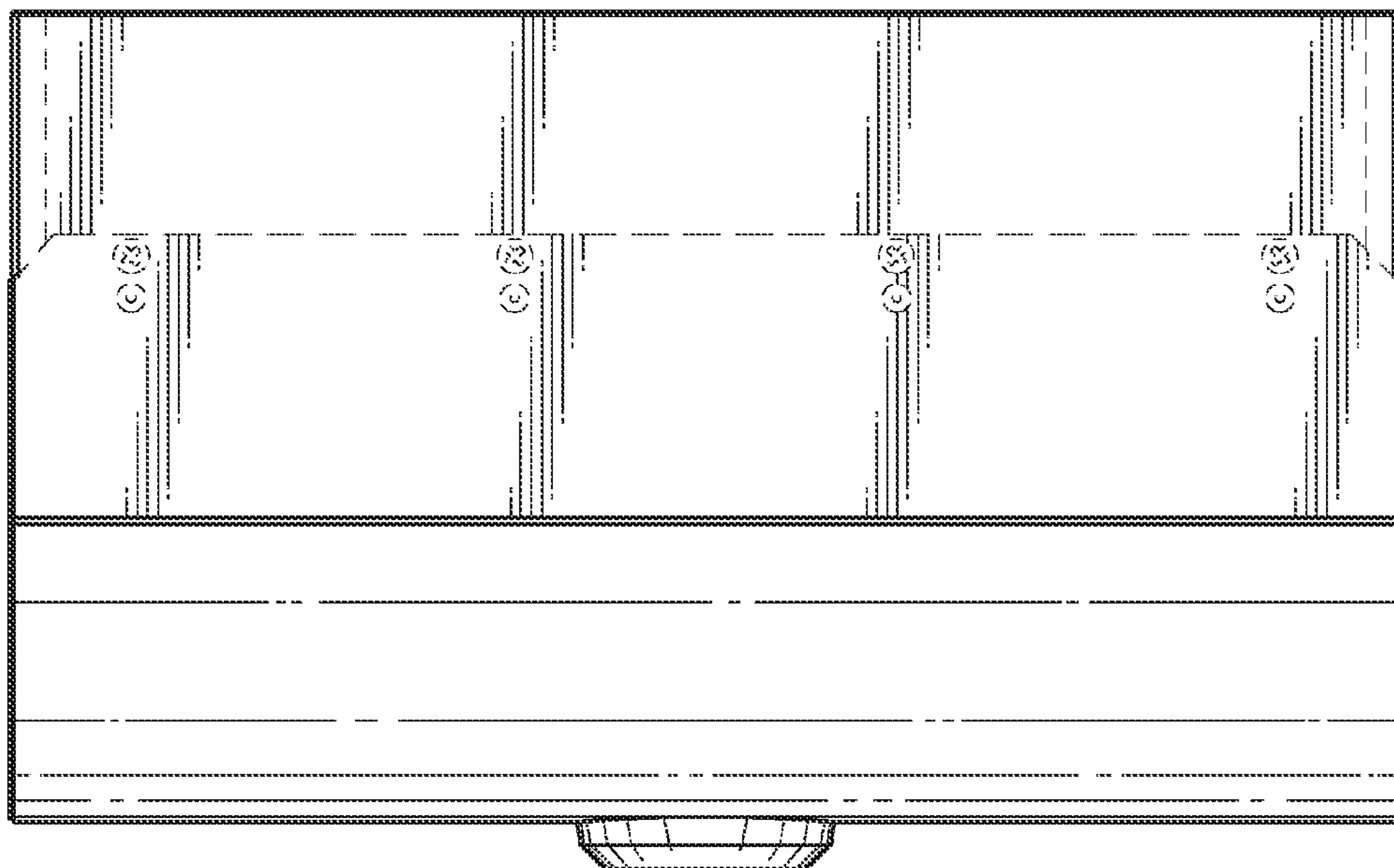


Fig. 7

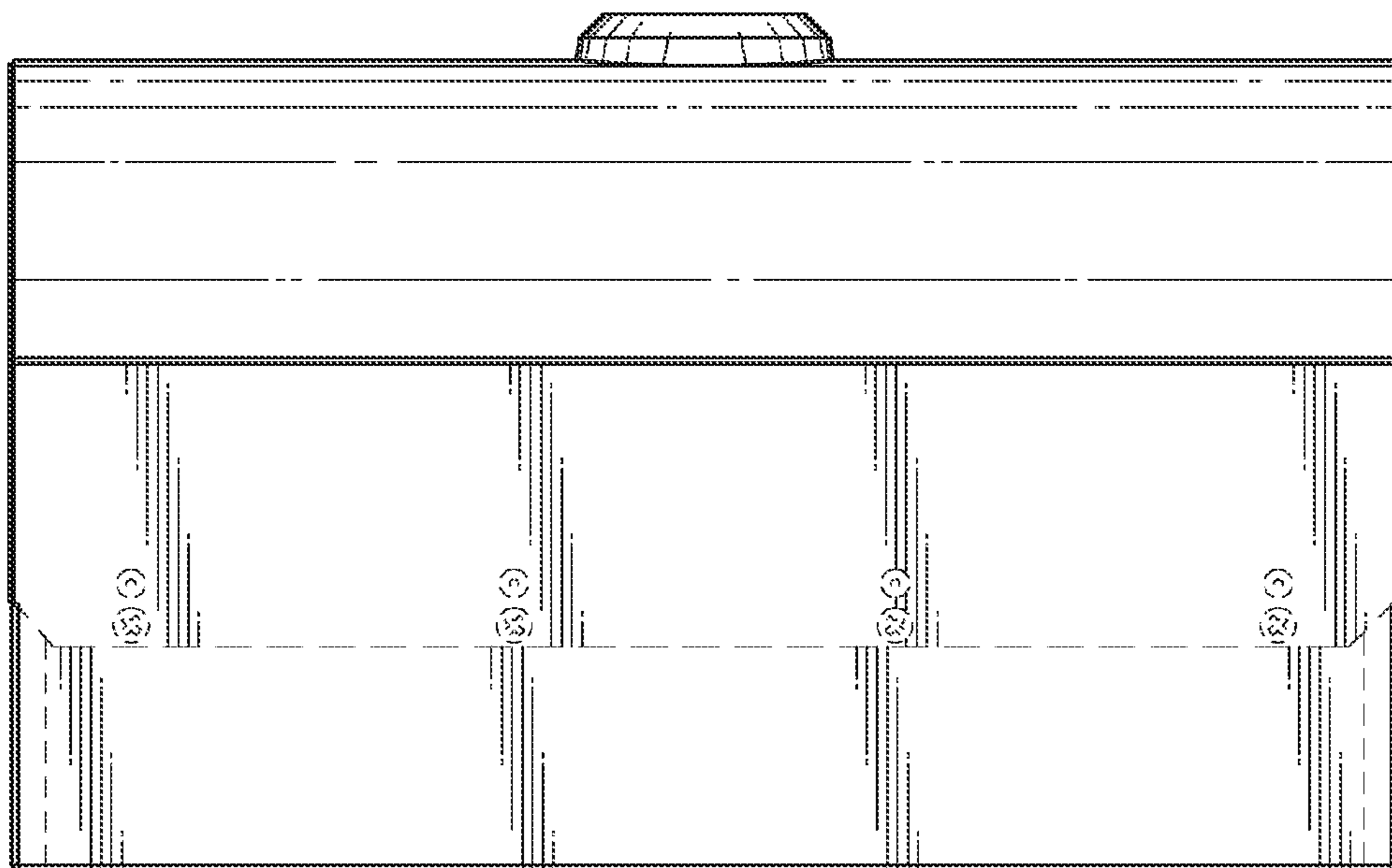


Fig. 6

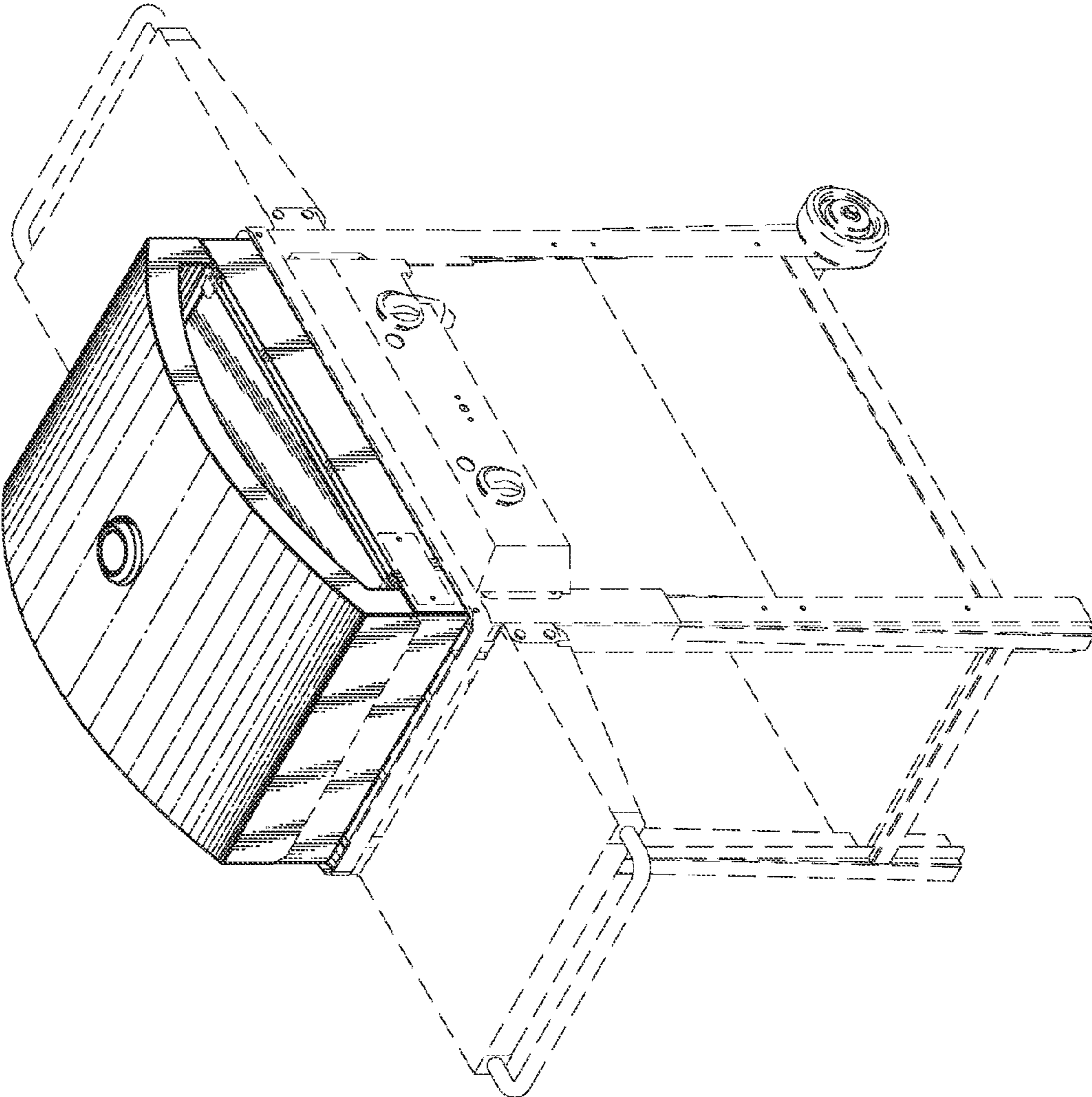


Fig. 8