



US00D693172S

(12) **United States Design Patent**
Joseph

(10) **Patent No.:** **US D693,172 S**

(45) **Date of Patent:** **** Nov. 12, 2013**

(54) **ELEVATED KNIFE**

(75) Inventor: **Antony Joseph**, London (GB)

(73) Assignee: **Joseph Joseph Ltd.**, London (GB)

(**) Term: **14 Years**

(21) Appl. No.: **29/432,185**

(22) Filed: **Sep. 14, 2012**

(30) **Foreign Application Priority Data**

Jun. 11, 2012 (EM) 002055319-0001

(51) **LOC (9) Cl.** **07-03**

(52) **U.S. Cl.**
USPC **D7/401.2; D7/649**

(58) **Field of Classification Search**
USPC D7/368, 393-395, 401.2, 642-646,
D7/649-654, 660-664, 669, 675-676, 683,
D7/688-692, 695-696; D8/25, 83, 93, 99,
D8/107, 303; D21/775; 30/137, 141-143,
30/147-150, 322-327, 329, 335, 340,
30/342-344, 355; 280/821; 416/70 R
See application file for complete search history.

(56) **References Cited**

U.S. PATENT DOCUMENTS

D119,400 S * 3/1940 Skelton D7/652
D198,695 S * 7/1964 Cameron D21/775
3,367,673 A * 2/1968 Covini 280/821
D240,495 S * 7/1976 Koppe D7/649
D241,806 S * 10/1976 Johnson D8/303
D246,282 S * 11/1977 Jackson D7/652
D247,870 S * 5/1978 Herrmeyer et al. D7/695
D264,422 S * 5/1982 Jagger D7/650

D280,695 S * 9/1985 Krueger D8/93
D284,537 S * 7/1986 Pashley et al. D7/649
D306,957 S * 4/1990 Cohen et al. D7/650
D507,469 S * 7/2005 Prokop D8/107
D622,573 S * 8/2010 Friesen et al. D8/93

* cited by examiner

Primary Examiner — Ricky Pham

(74) *Attorney, Agent, or Firm* — Millen, White, Zelano & Branigan, P.C.

(57) **CLAIM**

The ornamental design for an elevated knife, as shown and described.

DESCRIPTION

FIG. 1 is a perspective view of the elevated knife showing my new design.

FIG. 2 is a side view of the elevated knife showing my new design.

FIG. 3 is another side view of the elevated knife showing my new design.

FIG. 4 is a front view of the elevated knife showing my new design.

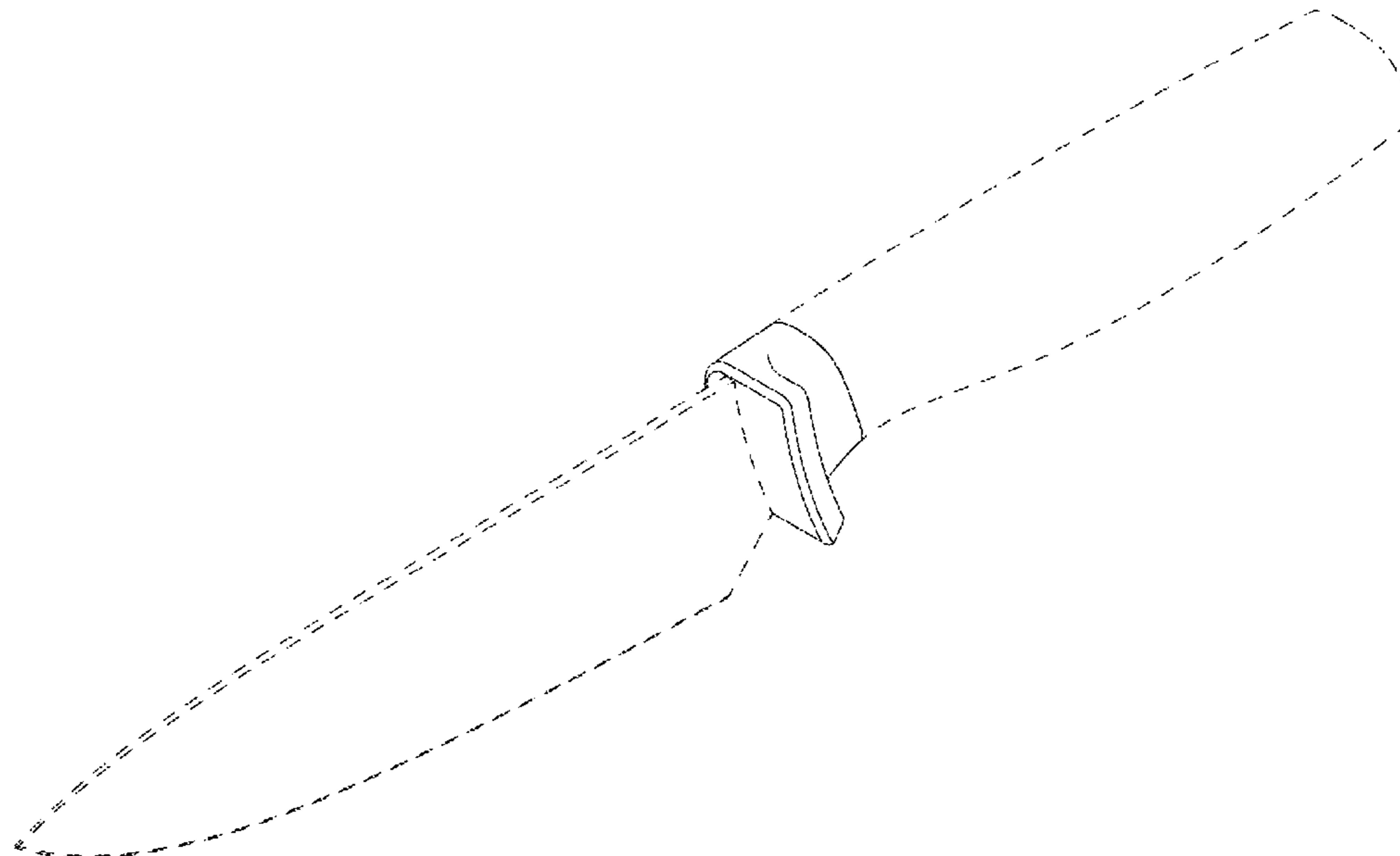
FIG. 5 is another side of the elevated knife showing my new design.

FIG. 6 is a back view of the elevated knife showing my new design; and,

FIG. 7 is another perspective view of the elevated knife showing my new design.

The broken lines shown in the drawing views of FIGS. 1-7 represent portions of the elevated knife that form no part of the claimed design.

1 Claim, 7 Drawing Sheets



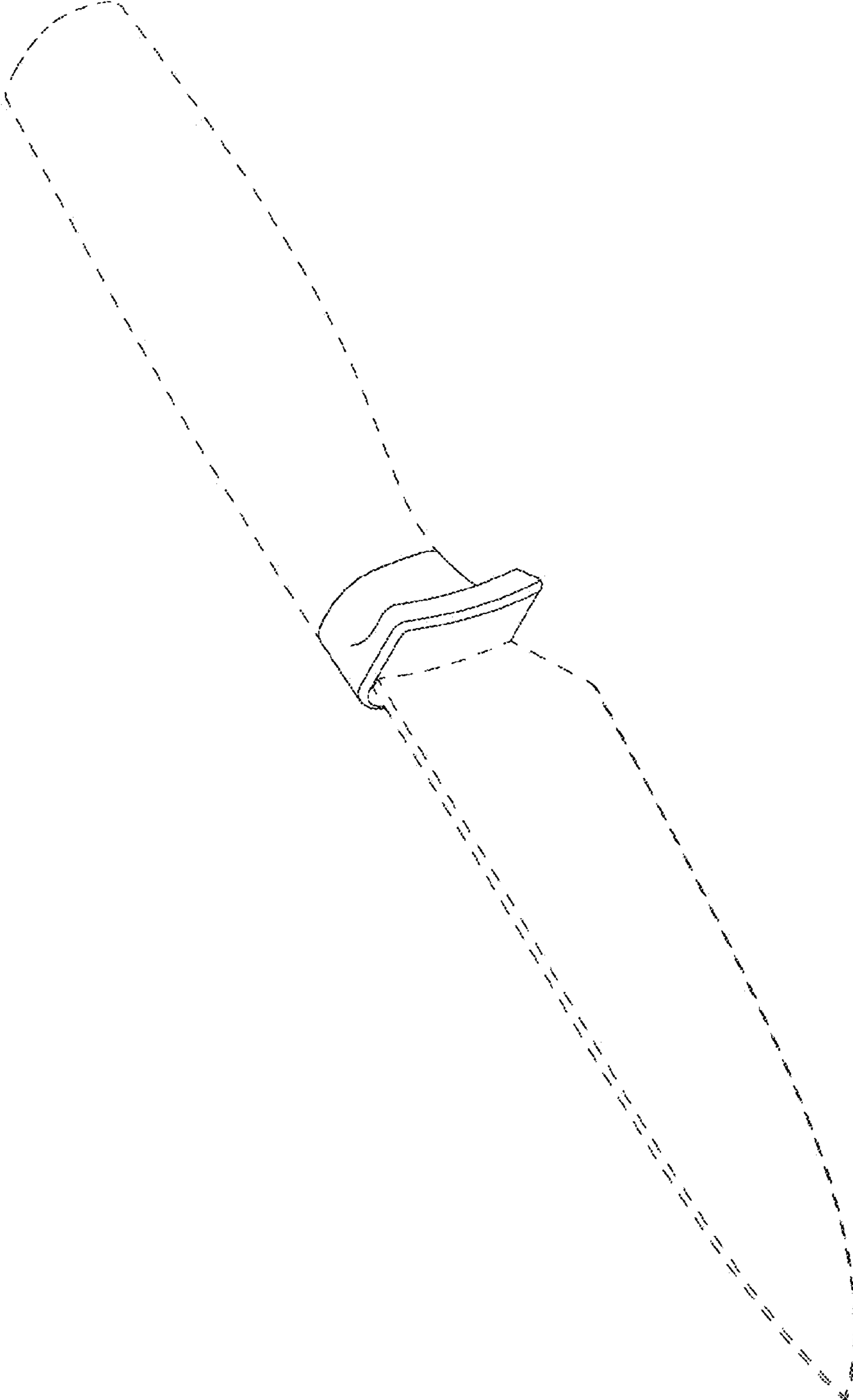


Fig. 1

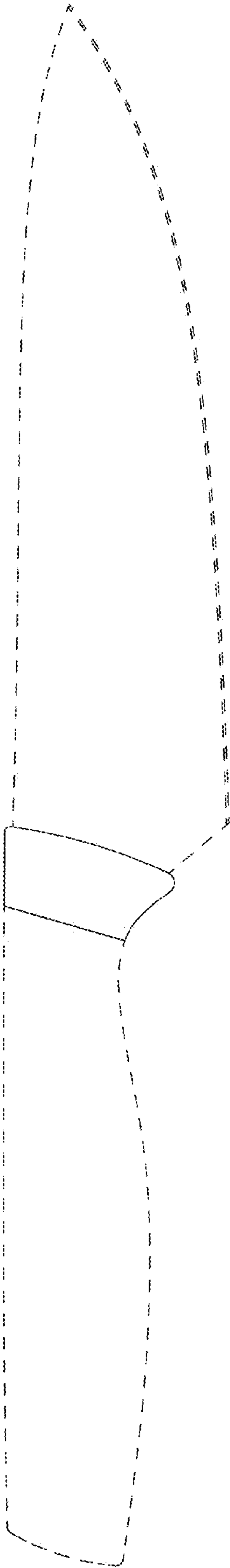


Fig. 2

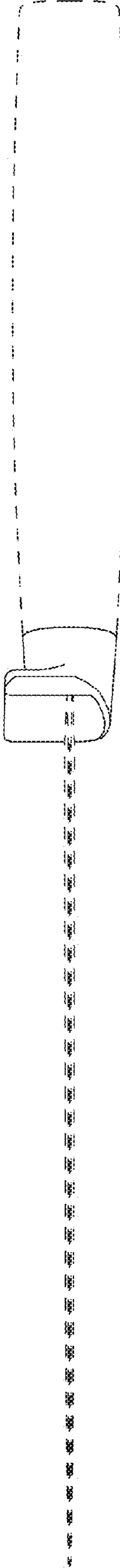


Fig. 3

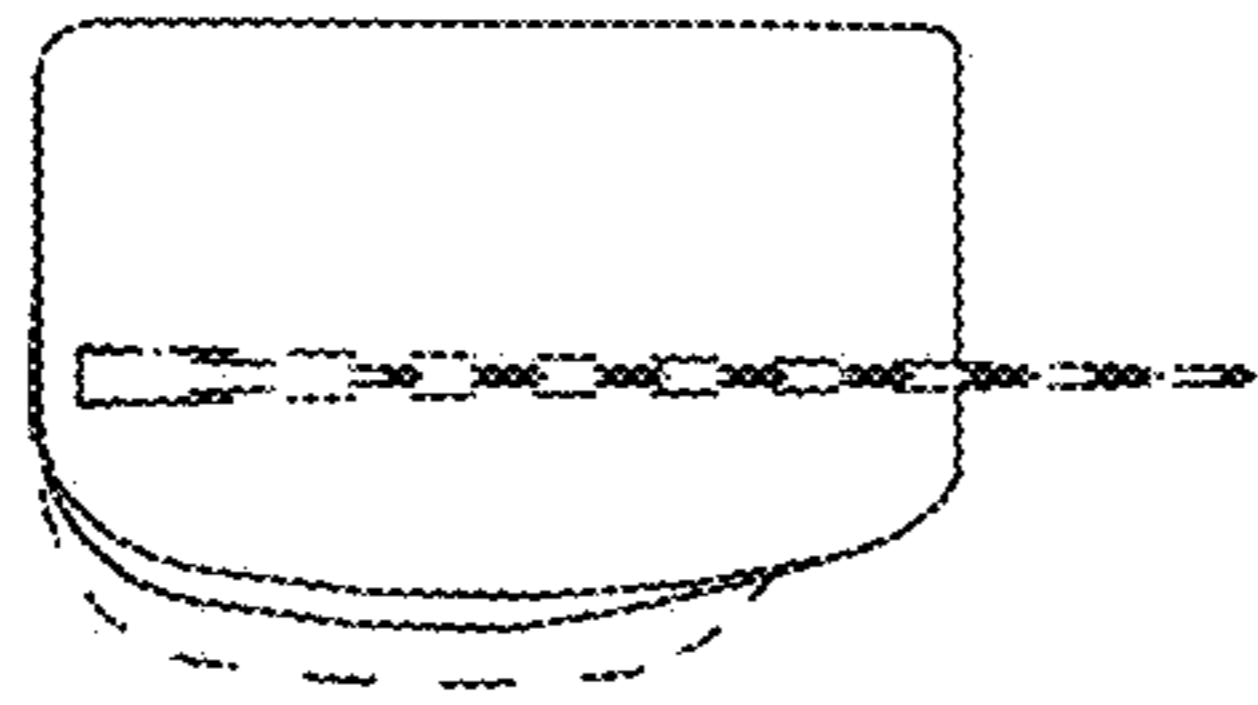


Fig. 4

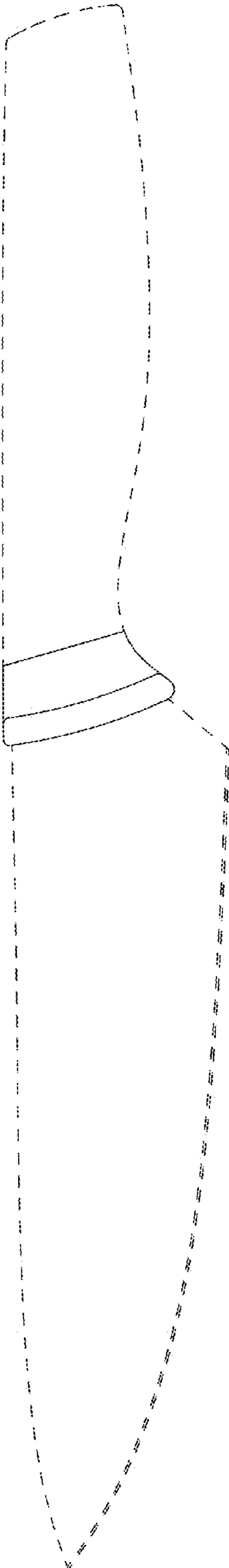


Fig. 5

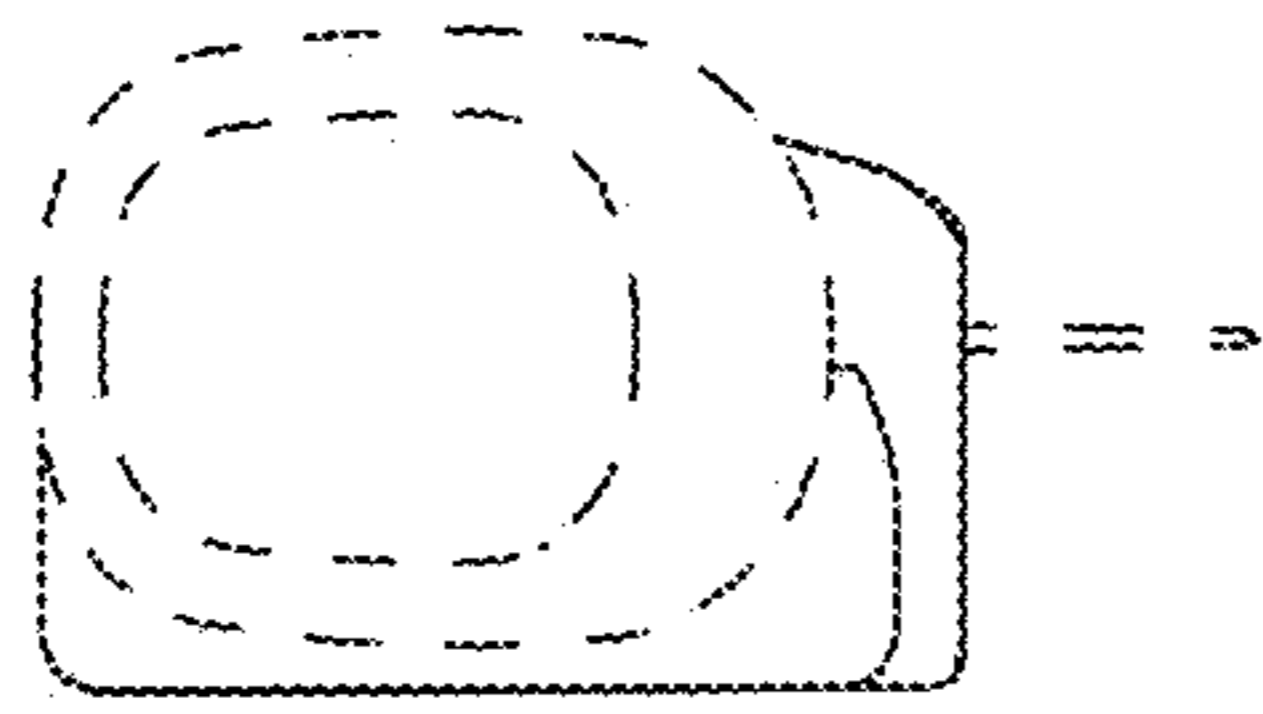


Fig. 6

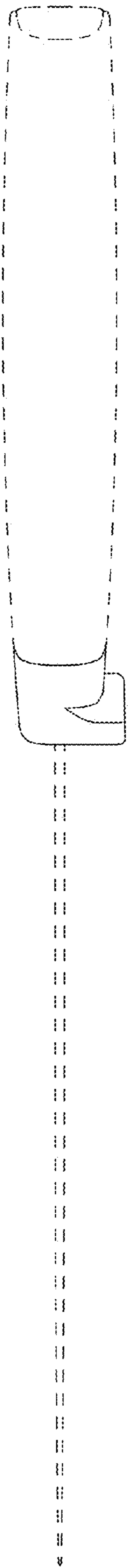


Fig. 7