

US00D693170S

(12) **United States Design Patent**
Rosbach

(10) **Patent No.:** **US D693,170 S**

(45) **Date of Patent:** **** *Nov. 12, 2013**

(54) **FLASK**

(75) Inventor: **Travis R. Rosbach**, Bend, OR (US)

(73) Assignee: **Steel Technology, LLC**, Bend, OR (US)

(*) Notice: This patent is subject to a terminal disclaimer.

(**) Term: **14 Years**

(21) Appl. No.: **29/398,820**

(22) Filed: **Aug. 4, 2011**

(51) **LOC (9) Cl.** **07-02**

(52) **U.S. Cl.**
USPC **D7/392.1**

(58) **Field of Classification Search**
USPC D7/391, 392, 392.1, 507, 510-511, 523,
D7/538, 629; D9/443, 445, 454, 457, 503,
D9/504, 550, 614, 688-689; D24/199;
215/228, 347, 387, 396; 220/212.5,
220/253, 354.1, 255, 259.3, 288
See application file for complete search history.

(56) **References Cited**

U.S. PATENT DOCUMENTS

D403,426 S	12/1998	Fiaschetti	
D422,503 S	4/2000	Lehn	
D456,669 S *	5/2002	Munari	D7/392.1
D479,800 S *	9/2003	McRae	D9/443
D482,607 S *	11/2003	McRae	D9/614
D508,185 S	8/2005	Gauss	
D508,209 S *	8/2005	Lamb et al.	D9/689
D508,411 S *	8/2005	Lamb et al.	D9/689
D519,380 S	4/2006	Leoncavallo et al.	
7,048,137 B2 *	5/2006	Leoncavallo et al.	220/288
D528,921 S	9/2006	Leoncavallo et al.	
D539,608 S *	4/2007	Lapsker	D7/510
D543,454 S	5/2007	Leoncavallo et al.	
D572,585 S *	7/2008	Perrin et al.	D9/443

D580,227 S	11/2008	Roth et al.	
D586,184 S	2/2009	Miller et al.	
D604,561 S	11/2009	Chisholm	
D614,440 S	4/2010	Cresswell et al.	
D614,918 S	5/2010	Chisholm	
D615,360 S	5/2010	Joy et al.	
D616,743 S	6/2010	Cresswell et al.	
D616,744 S *	6/2010	Cresswell et al.	D9/443
D619,417 S	7/2010	Goto et al.	
D620,798 S	8/2010	Cresswell et al.	
D621,257 S *	8/2010	Gullickson et al.	D9/443
D621,258 S *	8/2010	Gullickson et al.	D9/443
D624,362 S	9/2010	Wahl	
D626,416 S *	11/2010	Cresswell et al.	D9/503
D627,601 S *	11/2010	Eyal	D7/510
D628,486 S *	12/2010	Lane	D9/503
D631,666 S *	2/2011	Lim et al.	D4/129
D632,524 S	2/2011	Rosbach et al.	
D633,338 S	3/2011	Rosbach et al.	
D635,457 S *	4/2011	Lane	D9/503
D647,369 S *	10/2011	Bryman et al.	D7/507
D652,255 S *	1/2012	Carland	D7/510

(Continued)

OTHER PUBLICATIONS

US Patent and Trademark Office, U.S. Appl. No. 13/195,123, filed Aug. 1, 2011, Travis R. Rosbach.

Primary Examiner — Susan E Krakower

(74) *Attorney, Agent, or Firm* — Kolisch Hartwell, P.C.

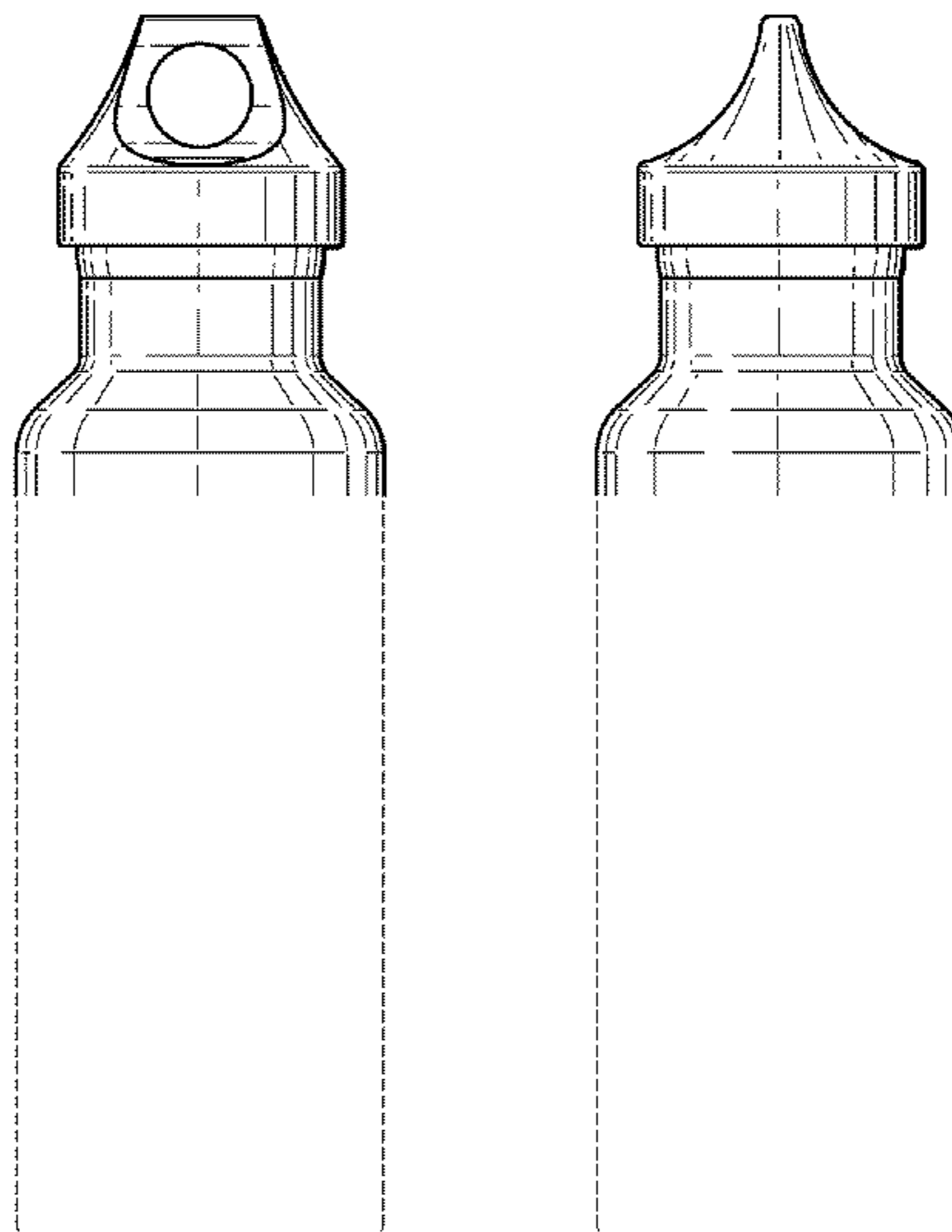
(57) **CLAIM**

I claim the ornamental design for a flask, as shown and described.

DESCRIPTION

FIG. 1 is a front view of the present design;
FIG. 2 is a side thereof;
FIG. 3 is a top plan view thereof;
FIG. 4 is a bottom plan view thereof; and,
FIG. 5 is a top perspective view thereof.

1 Claim, 2 Drawing Sheets



US D693,170 S

Page 2

(56)

References Cited

U.S. PATENT DOCUMENTS

D653,082 S *	1/2012	George	D7/510	D662,360 S *	6/2012	George	D7/510
D654,793 S	2/2012	Rosbach			8,215,511 B1 *	7/2012	Lin	220/212.5
D659,007 S *	5/2012	Pape	D9/550	D664,809 S *	8/2012	Eyal	D7/510
					D665,621 S *	8/2012	Eyal	D7/392.1
					2004/0217139 A1	11/2004	Roth et al.		
									* cited by examiner

FIG. 1

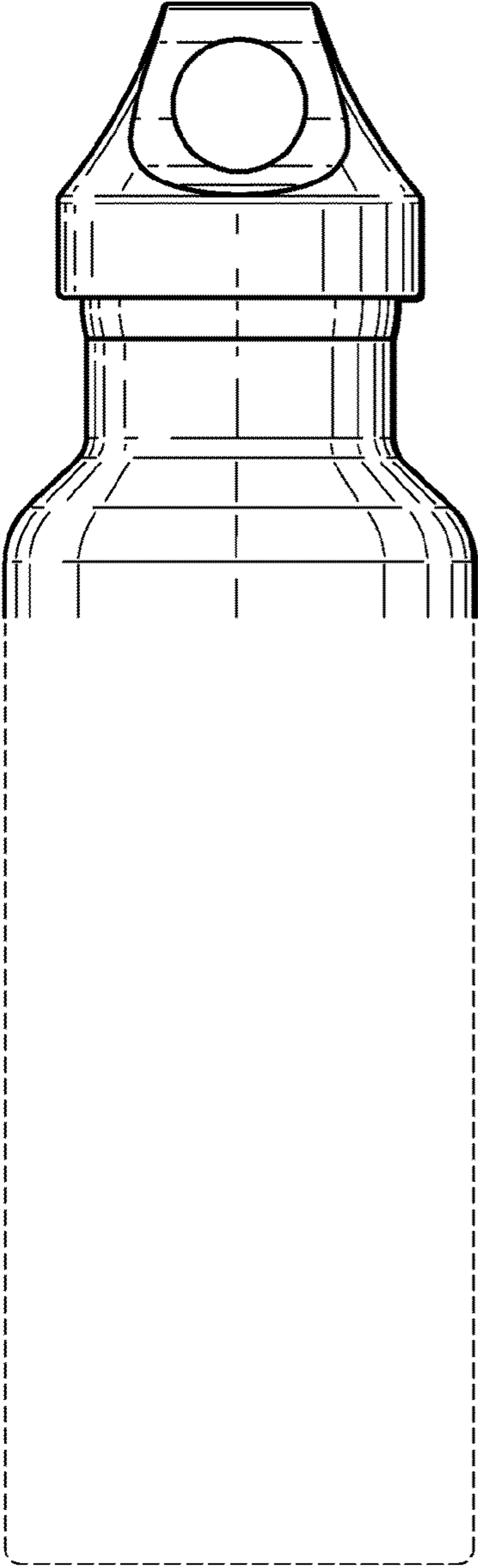
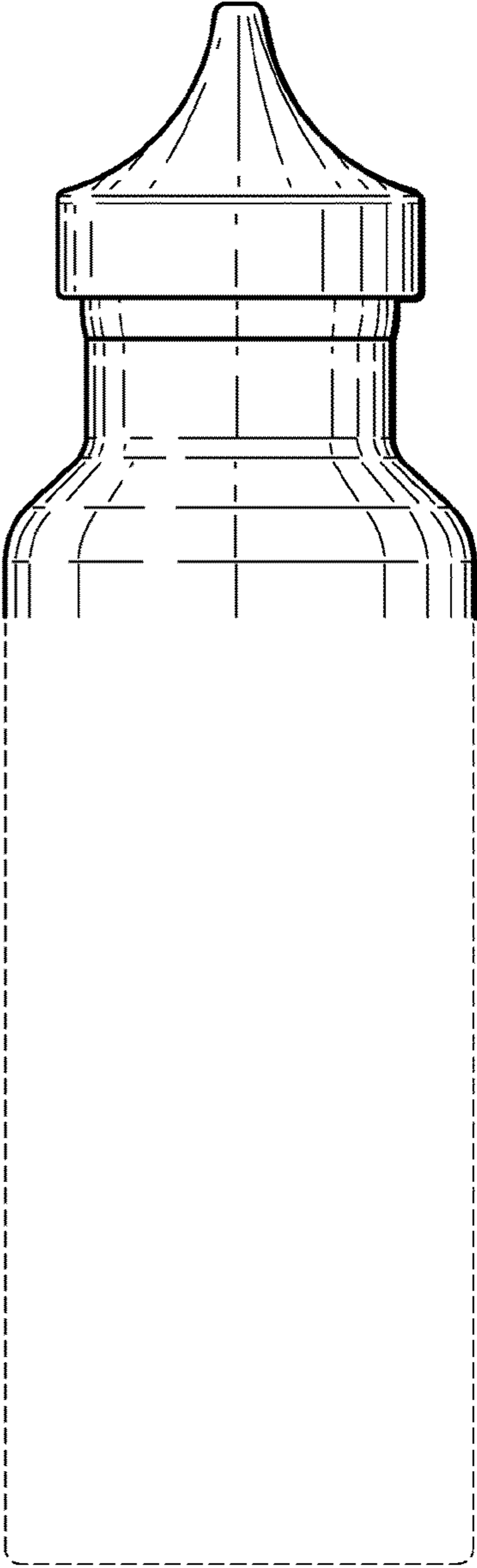


FIG. 2



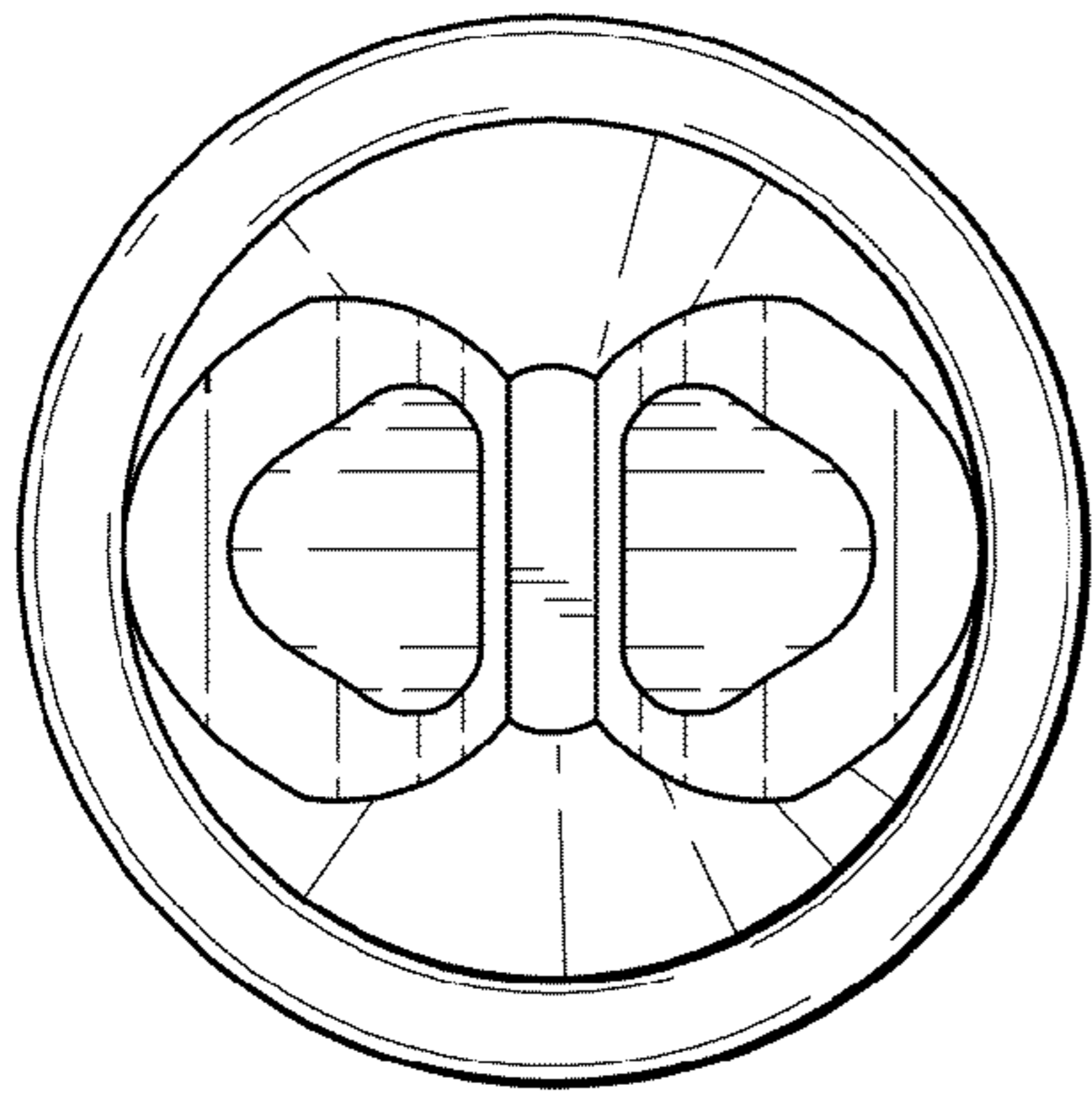


FIG. 3

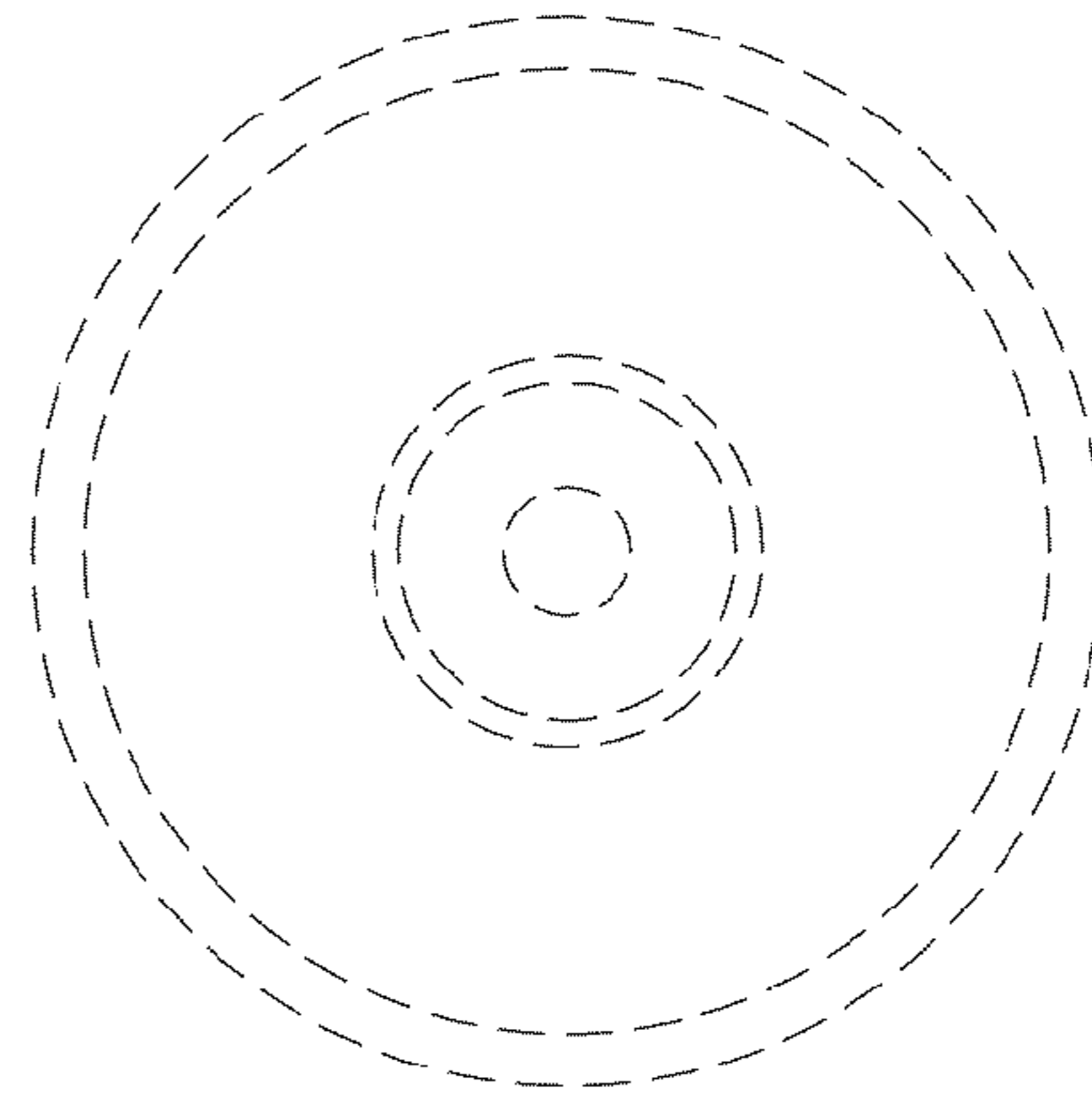


FIG. 4

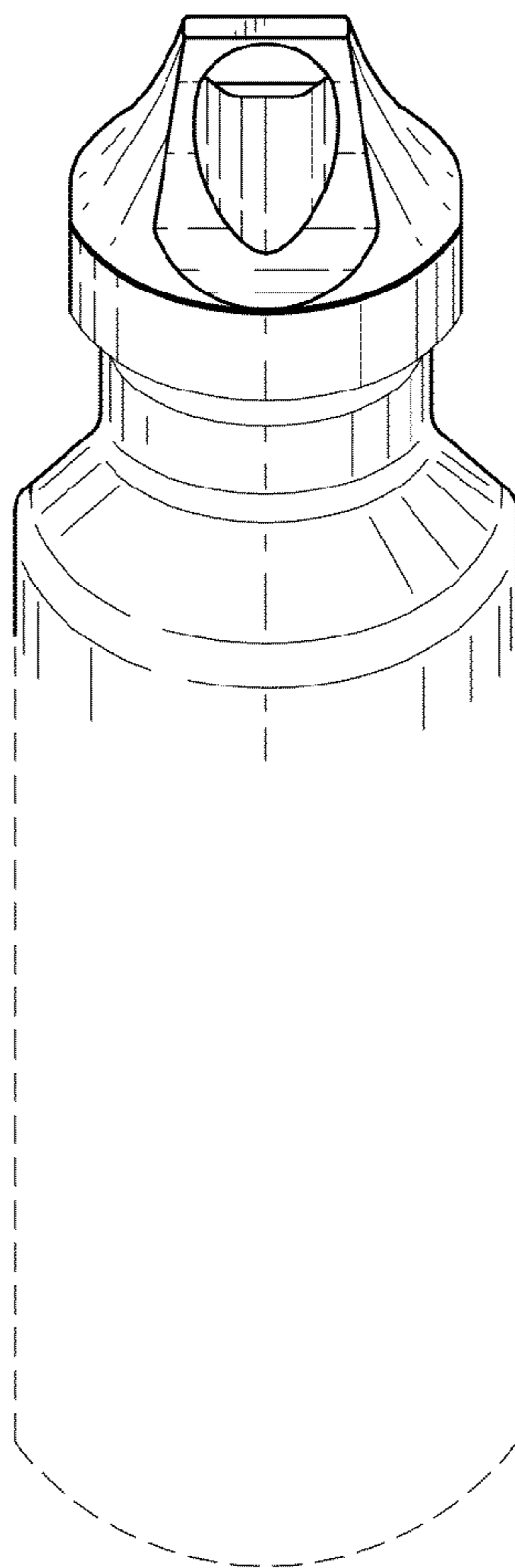


FIG. 5