



US00D693169S

(12) **United States Design Patent**
Myoung

(10) **Patent No.:** **US D693,169 S**

(45) **Date of Patent:** **** Nov. 12, 2013**

(54) **STEAMER BASKET**

(71) Applicant: **Progressive International Corporation,**
Kent, WA (US)

(72) Inventor: **Sul Gi Myoung,** Federal Way, WA (US)

(73) Assignee: **Progressive International Corporation,**
Kent, WA (US)

(**) Term: **14 Years**

(21) Appl. No.: **29/444,576**

(22) Filed: **Jan. 31, 2013**

(51) **LOC (9) Cl.** **07-02**

(52) **U.S. Cl.**
USPC **D7/359; D7/354**

(58) **Field of Classification Search**
USPC D7/307, 323, 329-332, 339, 346-347,
D7/350.1-350.4, 353-367, 387, 391, 393,
D7/395, 402, 406, 409, 538, 542;
99/324-325, 331-332, 337-343, 369,
99/400-418, 422, 425, 444, 451, 483;
126/37 R, 261, 374.1, 378.1;
206/501-505, 507-508; 219/400, 405,
219/429-442, 620-624, 725, 730-735;
220/203.05, 203.07, 203.09, 298,
220/315-316, 573.1-573.5, 759, 912;
426/438, 441; 606/213

See application file for complete search history.

(56) **References Cited**

U.S. PATENT DOCUMENTS

D163,468 S	5/1951	Millard	
2,667,117 A	1/1954	Millard et al.	
4,138,939 A *	2/1979	Feld	99/418
4,138,989 A	2/1979	Doyle et al.	
4,953,452 A	9/1990	Tarlow	
D316,505 S	4/1991	Chow	

5,199,347 A	4/1993	Chen	
D336,727 S	6/1993	Skerker et al.	
5,349,898 A	9/1994	Cheung	
D363,635 S	10/1995	Cashin et al.	
D381,863 S *	8/1997	Vineis	D7/387
D420,584 S	2/2000	Hopkins	
6,167,799 B1	1/2001	Macias	
D473,751 S	4/2003	Kaposi	
6,616,685 B2 *	9/2003	Rousseau	606/213
D547,602 S *	7/2007	Yamasaki et al.	D7/387
D556,503 S *	12/2007	Holcomb et al.	D7/360
D557,982 S *	12/2007	Ablo	D7/409
D653,495 S *	2/2012	France et al.	D7/354
D654,297 S *	2/2012	Lion et al.	D7/323
D661,944 S *	6/2012	Davies	D7/359
2005/0092762 A1 *	5/2005	Murat et al.	220/912
2005/0115417 A1 *	6/2005	Murat et al.	99/413

FOREIGN PATENT DOCUMENTS

EP 0526141 A1 2/1993

* cited by examiner

Primary Examiner — Ricky Pham

(74) *Attorney, Agent, or Firm* — Lowe Graham Jones PLLC

(57) **CLAIM**

I claim the ornamental design for the steamer basket, as shown and described.

DESCRIPTION

FIG. 1 is a top perspective view of a steamer basket, showing my new design.

FIG. 2 is a top view of the steamer basket.

FIG. 3 is a front view of the steamer basket.

FIG. 4 is a left side view of the steamer basket.

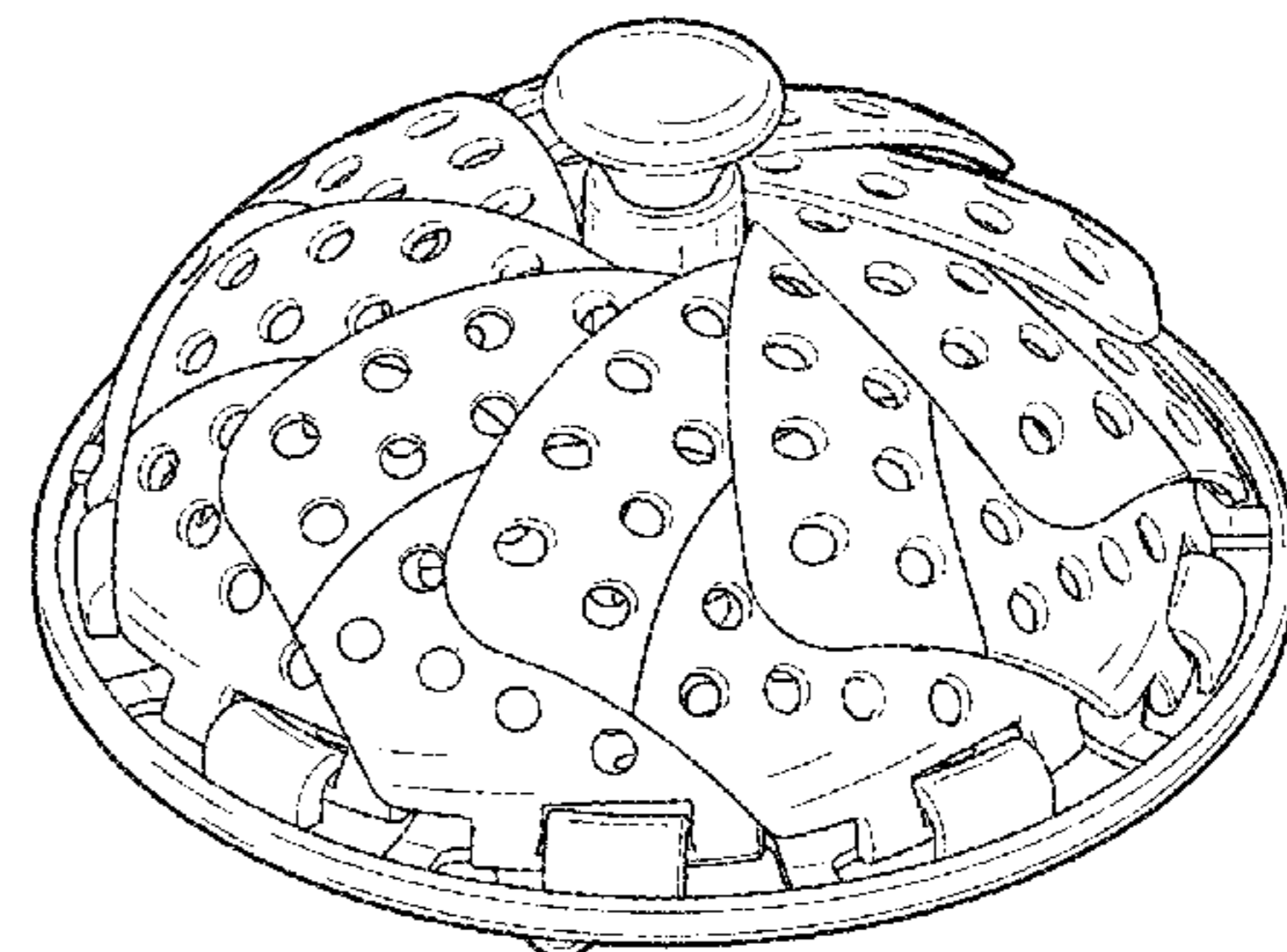
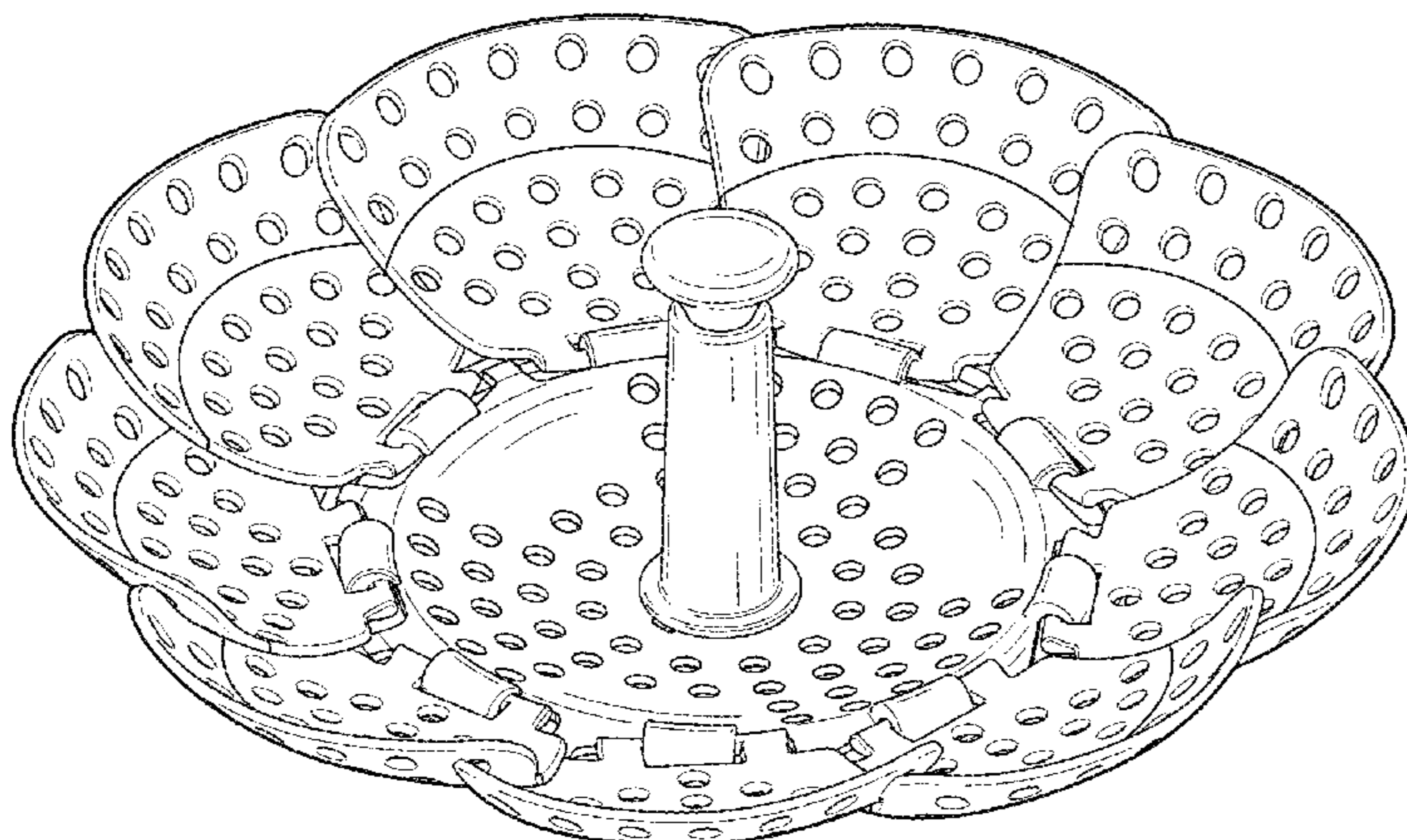
FIG. 5 is a right side view of the steamer basket.

FIG. 6 is a back view of the steamer basket.

FIG. 7 is a bottom view of the steamer basket; and,

FIG. 8 is a top perspective view of the steamer basket, shown with petals forming the basket in a closed position.

1 Claim, 6 Drawing Sheets



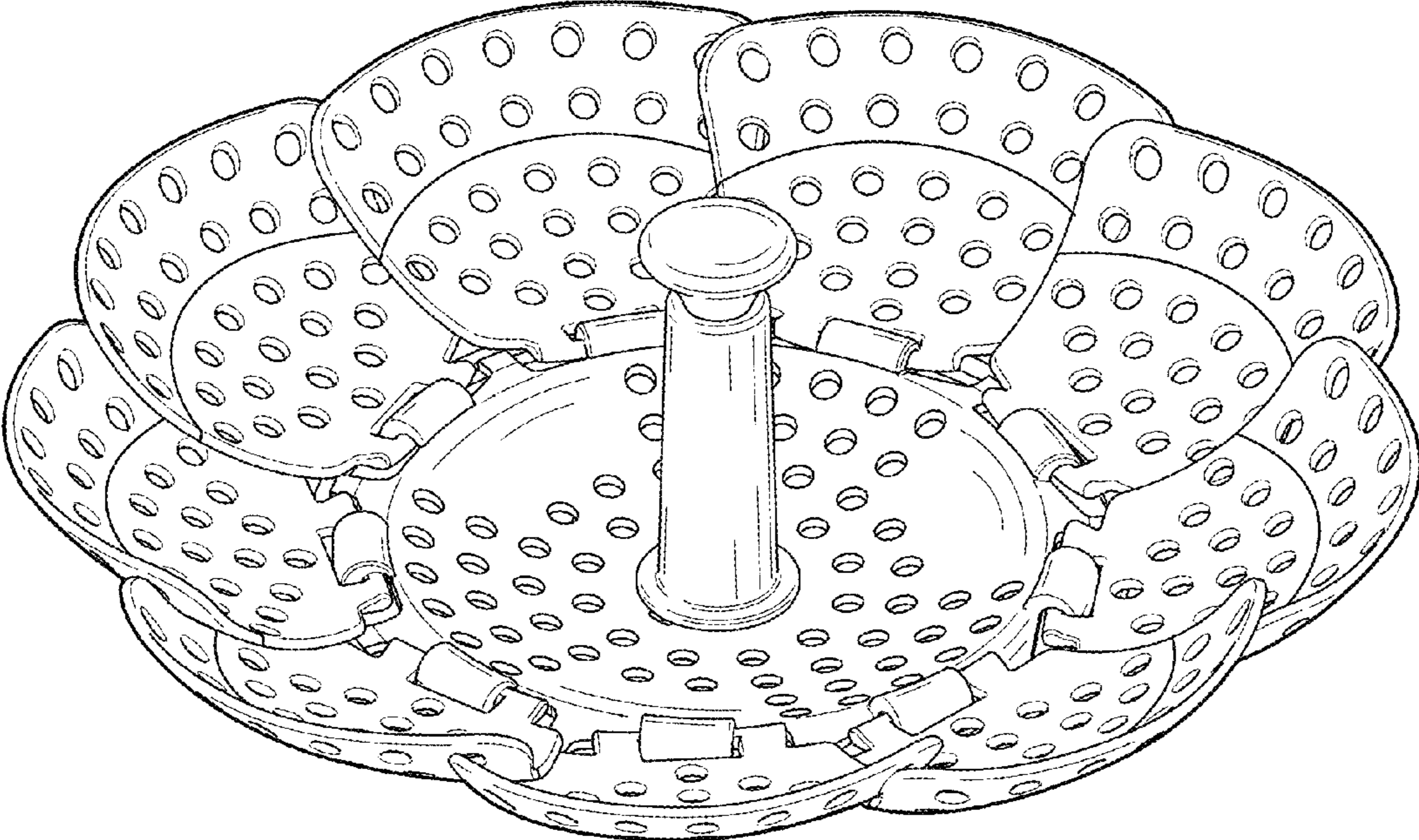


FIG.1

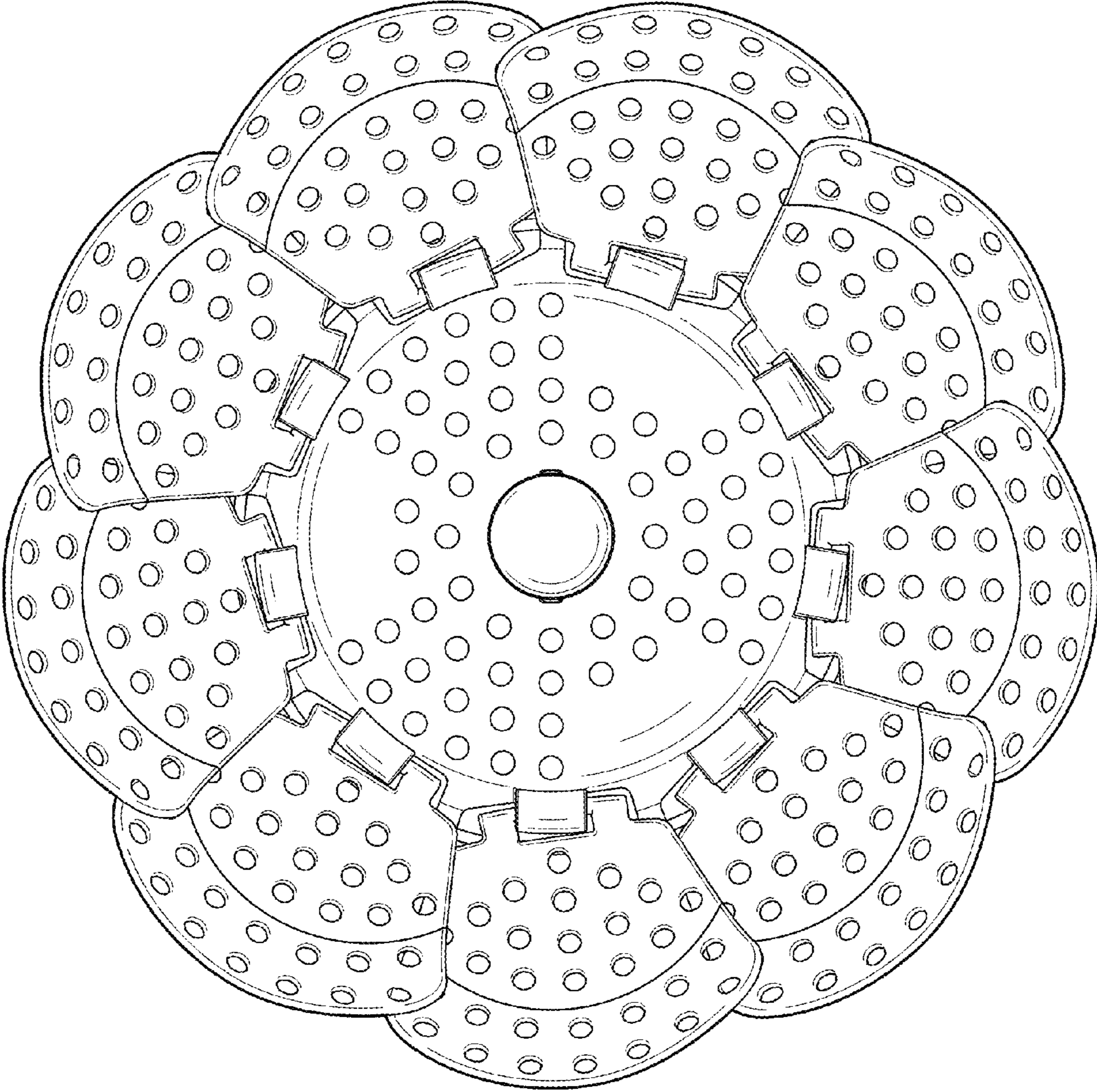


FIG.2

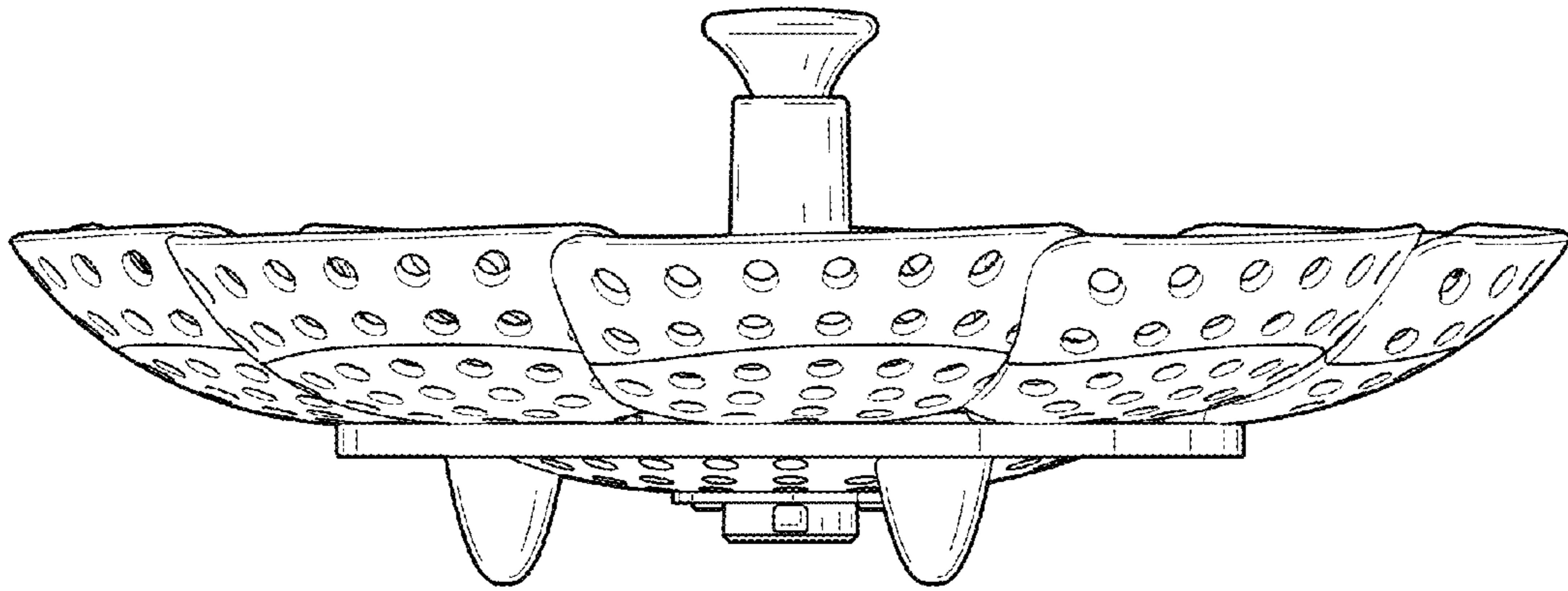


FIG. 3

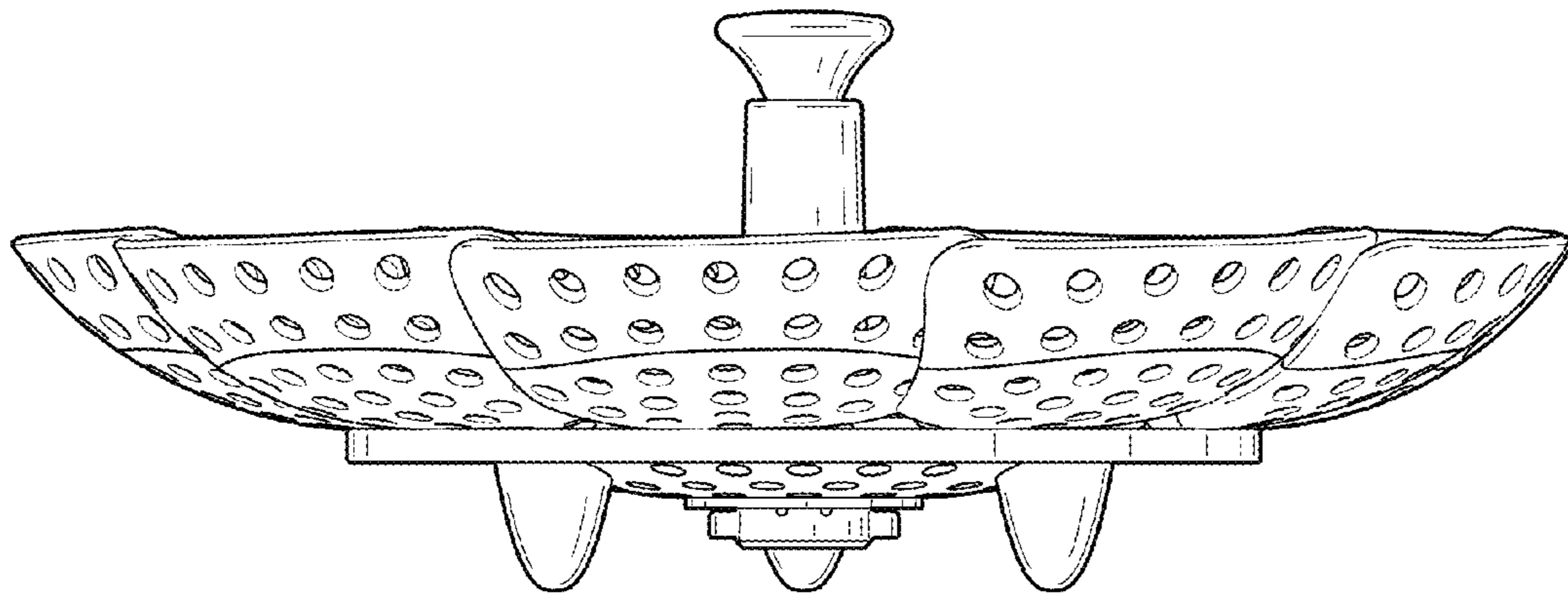


FIG. 4

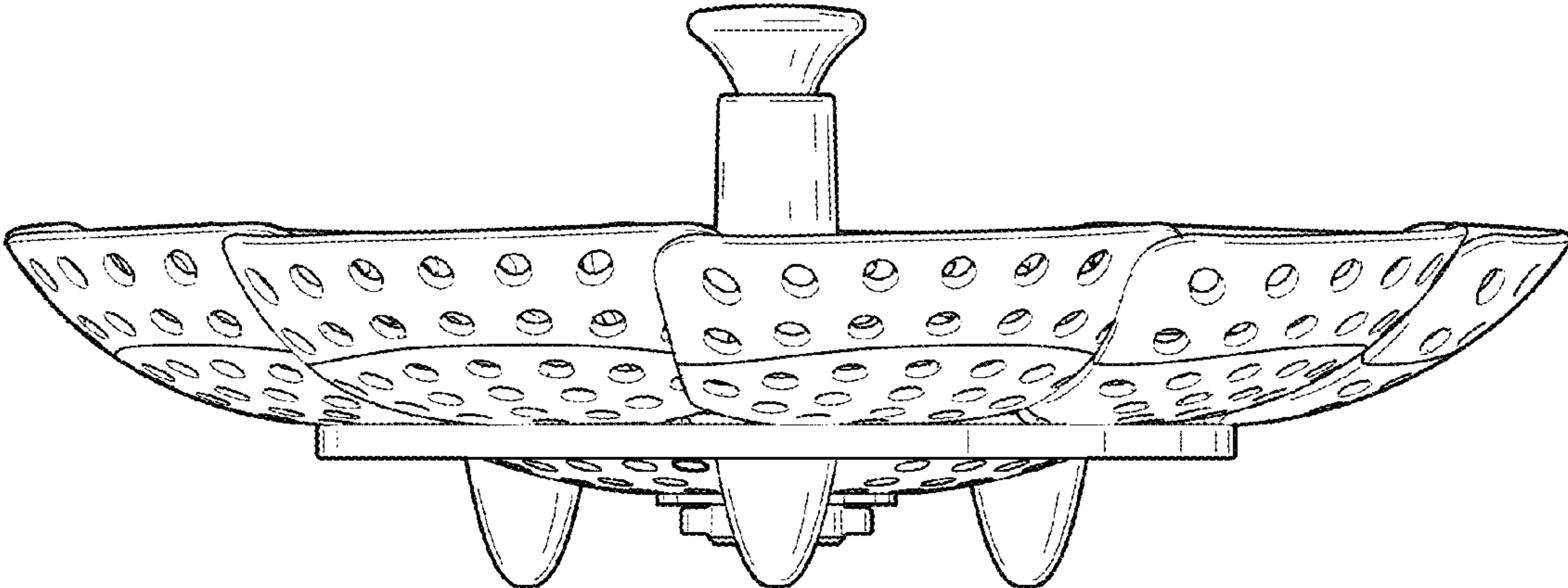


FIG. 5

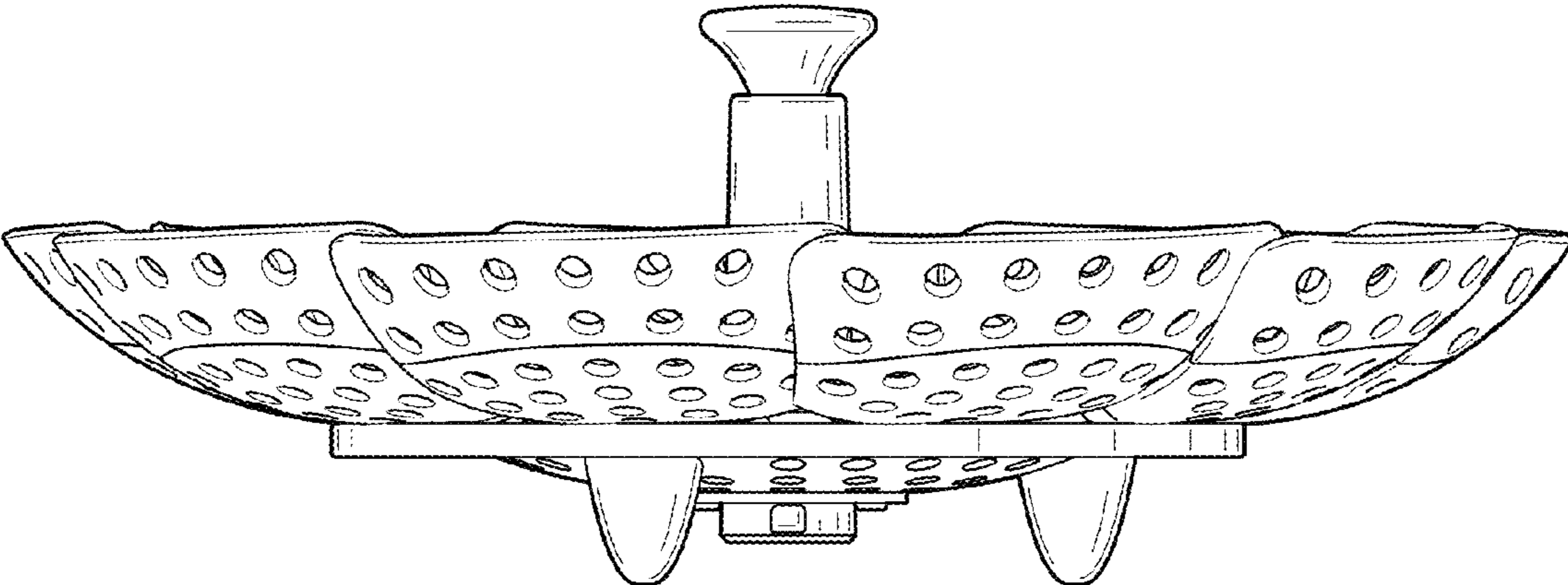


FIG. 6

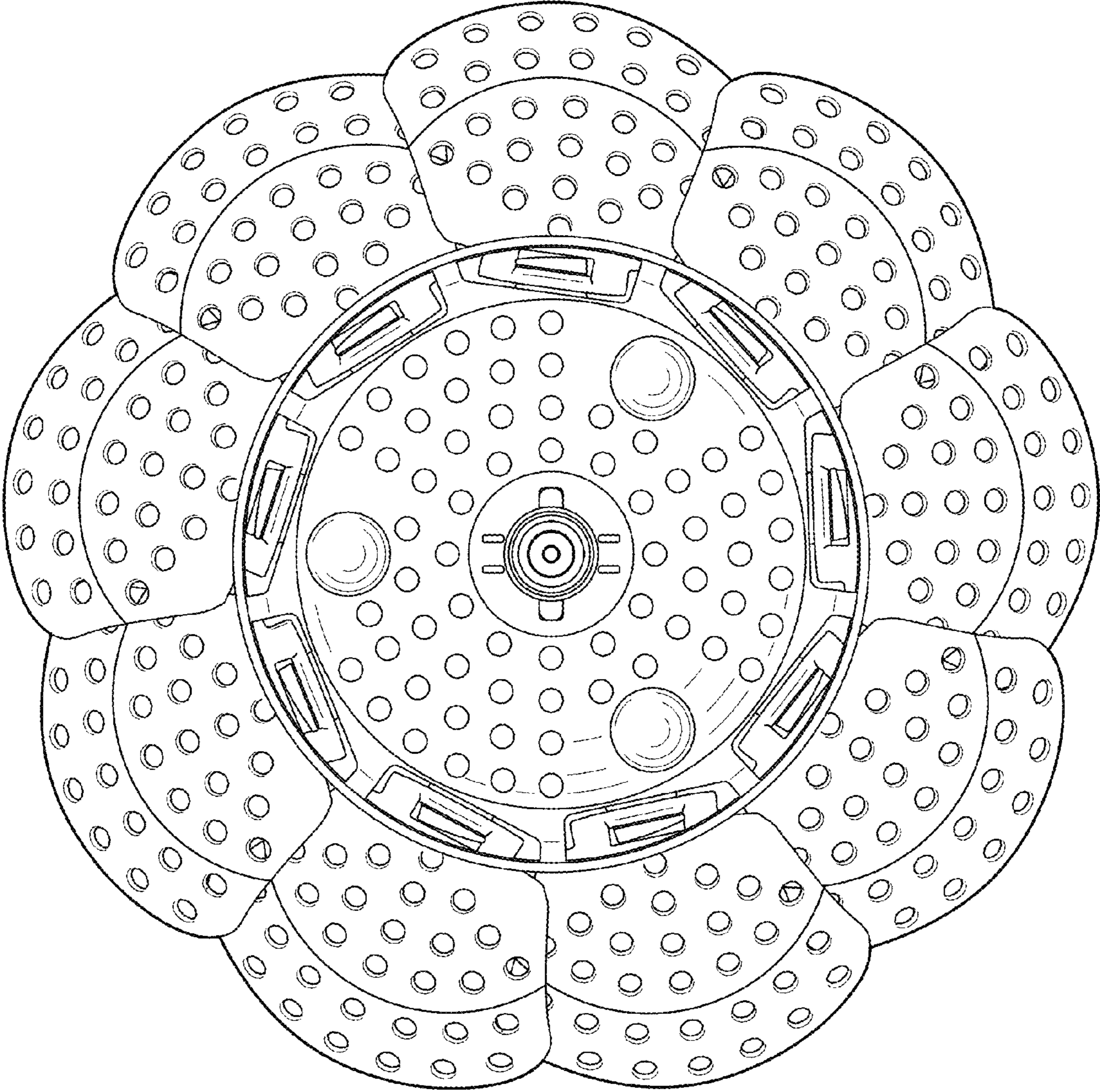


FIG. 7

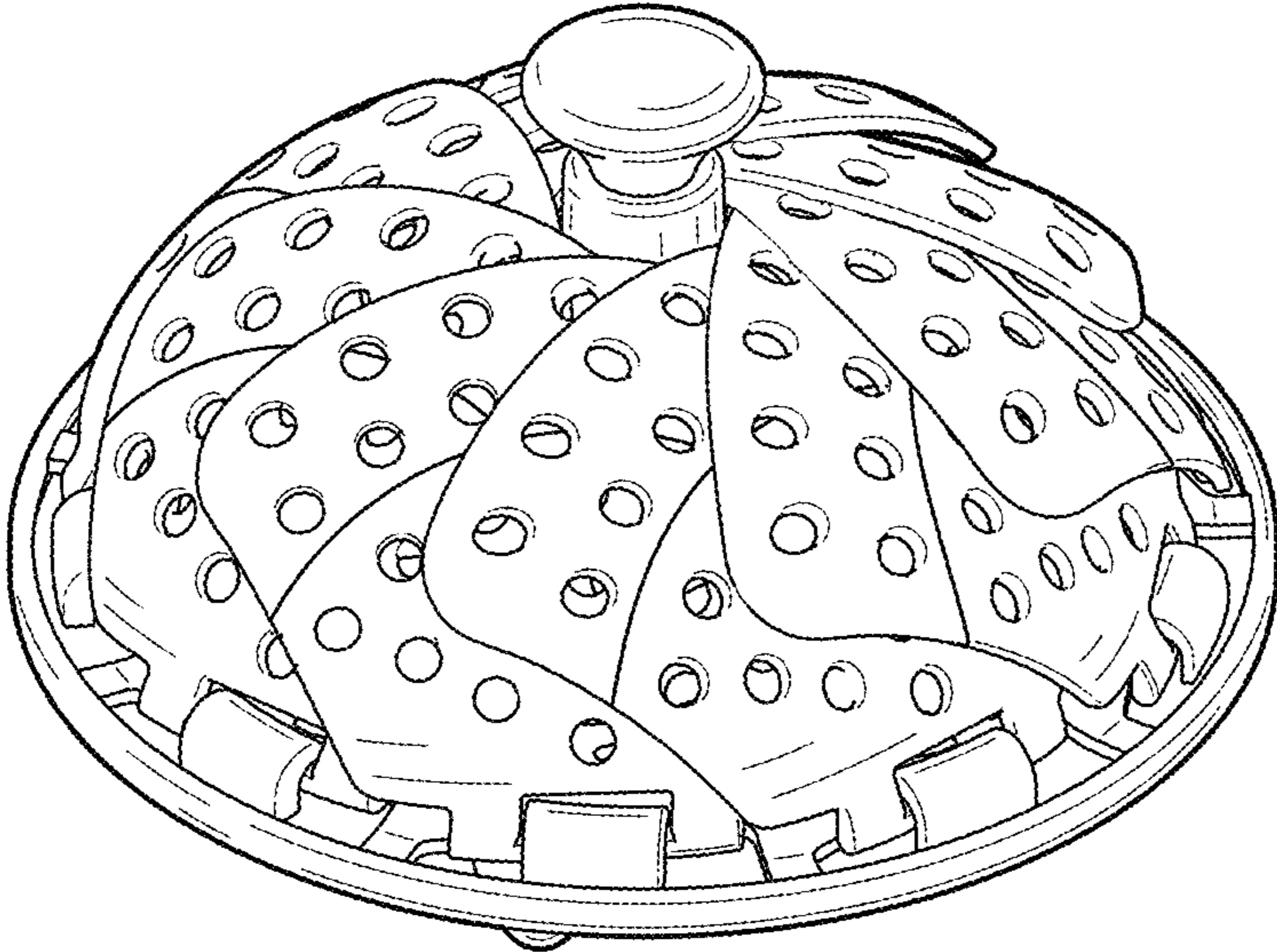


FIG. 8