



US00D693166S

(12) **United States Design Patent**
Measom et al.

(10) **Patent No.:** **US D693,166 S**

(45) **Date of Patent:** **** Nov. 12, 2013**

(54) **PIZZA OVEN**

(71) Applicants: **Ty Measom**, Logan, UT (US); **Brett Bennett**, Mantua, UT (US)

(72) Inventors: **Ty Measom**, Logan, UT (US); **Brett Bennett**, Mantua, UT (US)

(73) Assignee: **Logan Outdoor Products, L.L.C.**, Hyde Park, UT (US)

(**) Term: **14 Years**

(21) Appl. No.: **29/444,566**

(22) Filed: **Jan. 31, 2013**

(51) **LOC (9) Cl.** **07-02**

(52) **U.S. Cl.**
USPC **D7/350.1**

(58) **Field of Classification Search**
USPC D7/332, 334-337, 403-405, 408;
220/592.22; 126/152 B, 25 R, 215, 211,
126/41 R, 39 G, 15 R, 19 M, 275 R, 214 R,
126/220, 287, 290, 293, 285, 163 R, 160,
126/21 R, 214 C, 285 R, 9 R; D23/347, 372,
D23/421

See application file for complete search history.

(56) **References Cited**

U.S. PATENT DOCUMENTS

D182,222 S * 3/1958 Best D7/337
D344,871 S * 3/1994 Keller D7/348

D367,203 S * 2/1996 Sprouls D7/348
D371,274 S * 7/1996 Sitaras D7/350.4
D457,776 S * 5/2002 DeMars D7/332
D460,312 S * 7/2002 Fry et al. D7/334
D577,947 S * 10/2008 Wimmer D7/350.1
D640,499 S * 6/2011 King et al. D7/348
2006/0191528 A1 * 8/2006 Spangrud 126/275 R
2010/0252021 A1 * 10/2010 Bryce et al. 126/25 R

* cited by examiner

Primary Examiner — Ruth McInroy

(74) *Attorney, Agent, or Firm* — Peck Hadfield Baxter & Moore, LLC; Preston P. Frischknecht

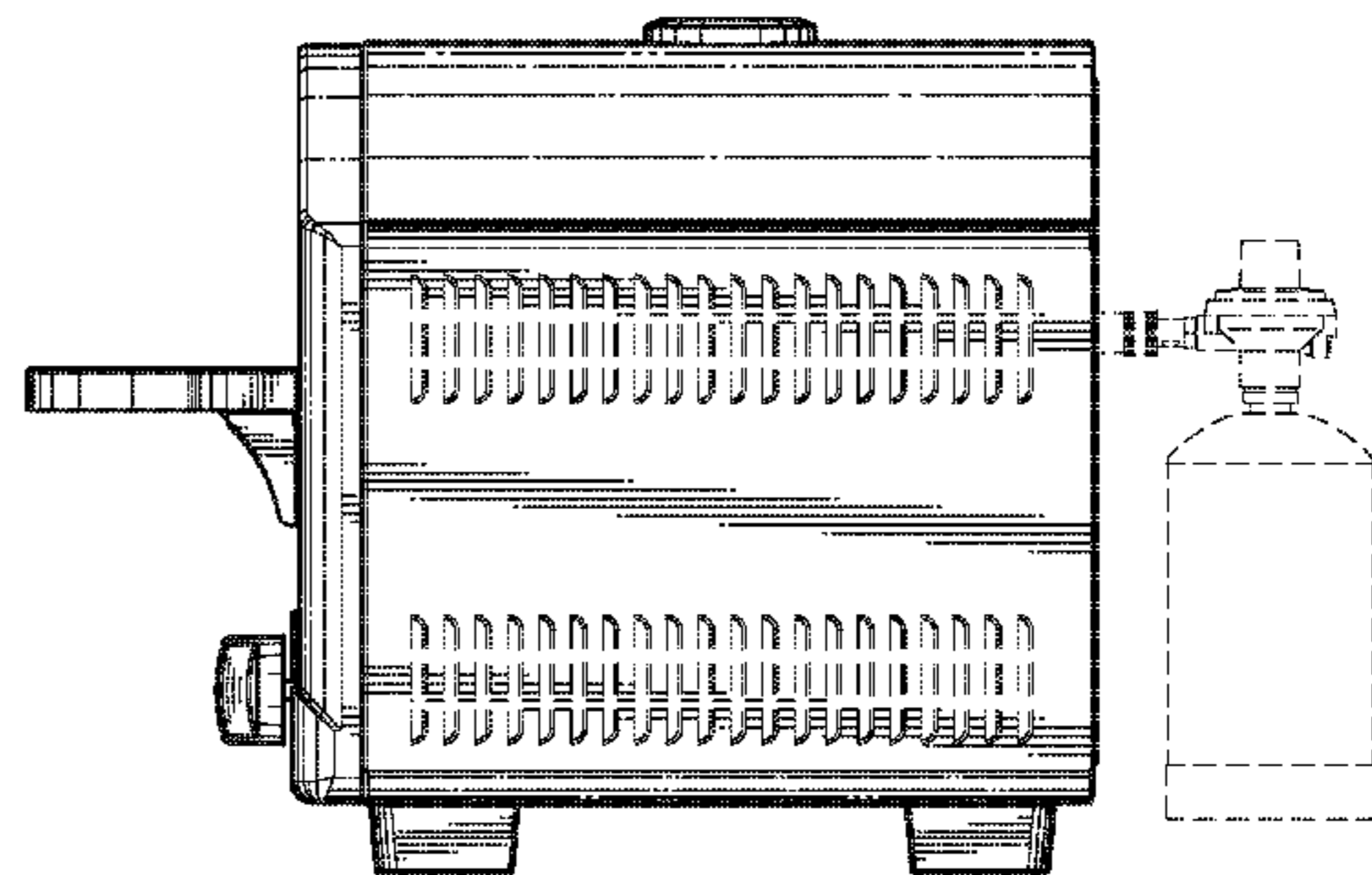
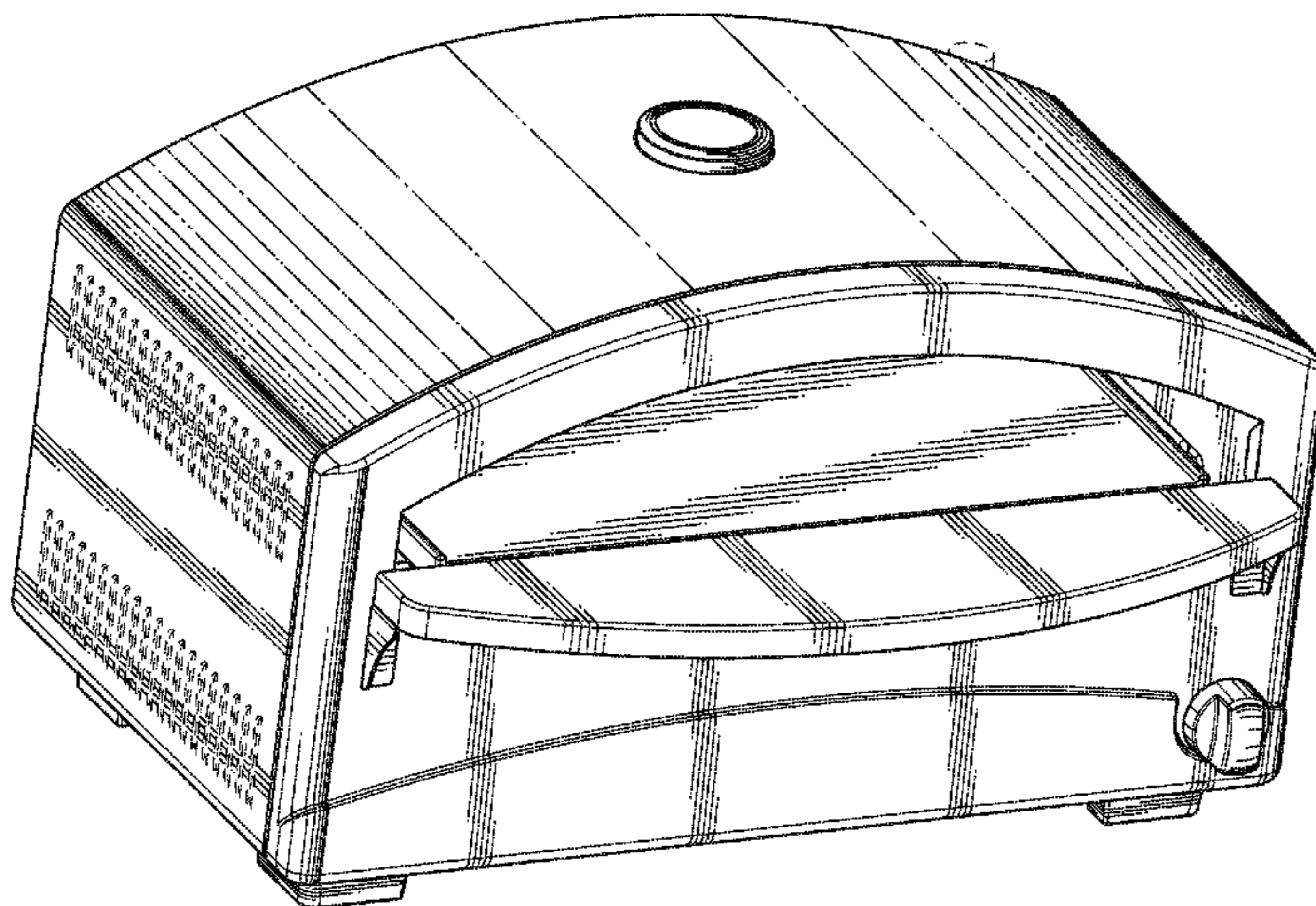
(57) **CLAIM**

The ornamental design for a pizza oven, as shown and described.

DESCRIPTION

FIG. 1 is a top, front perspective view of a pizza oven showing our new design;
FIG. 2 is a top plan view thereof;
FIG. 3 is a bottom plan view thereof;
FIG. 4 is a front view thereof;
FIG. 5 is a rear view thereof;
FIG. 6 is a left side view thereof; and,
FIG. 7 is a right side view thereof.
The details shown in broken lines form no part of the claimed design.

1 Claim, 7 Drawing Sheets



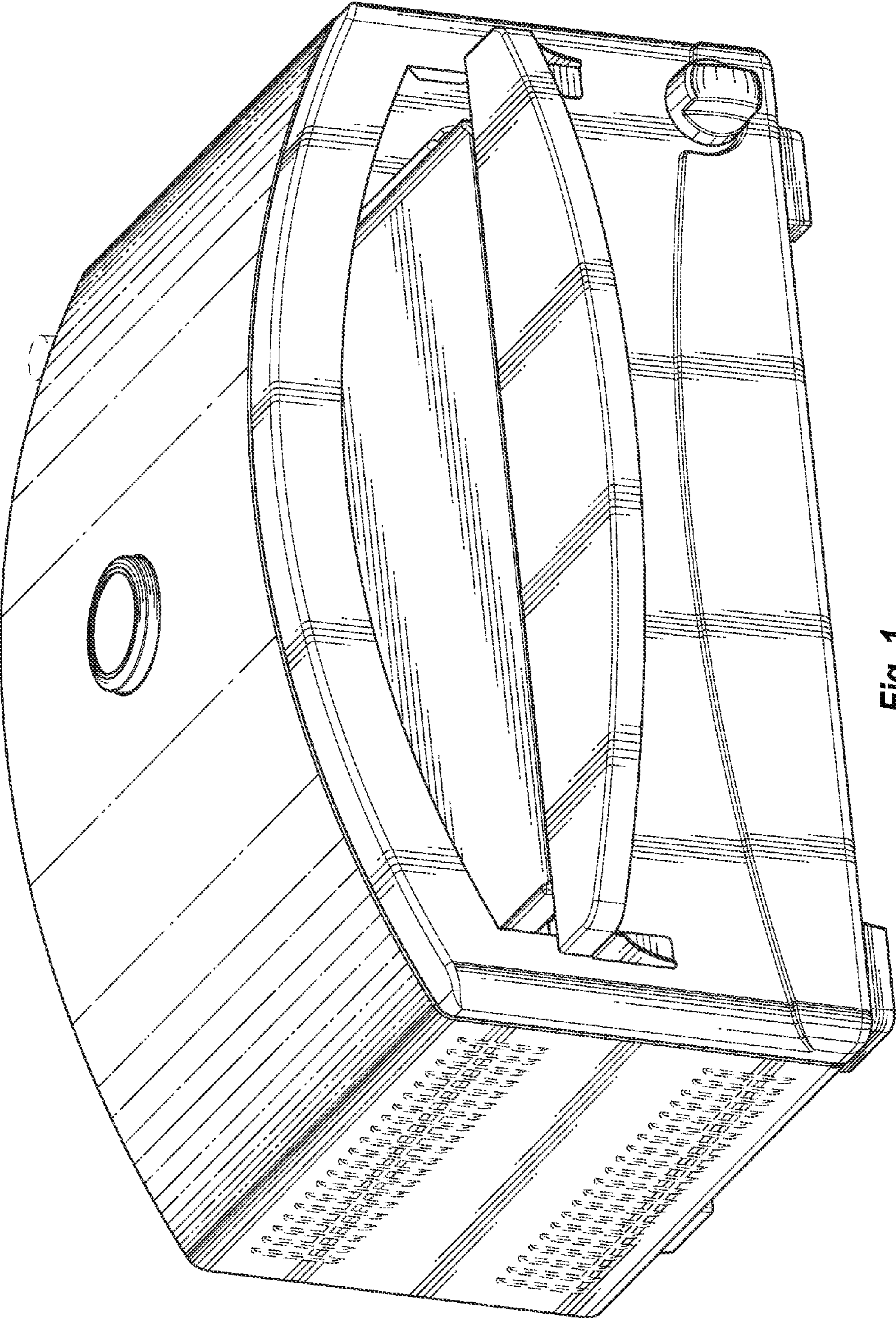


Fig. 1

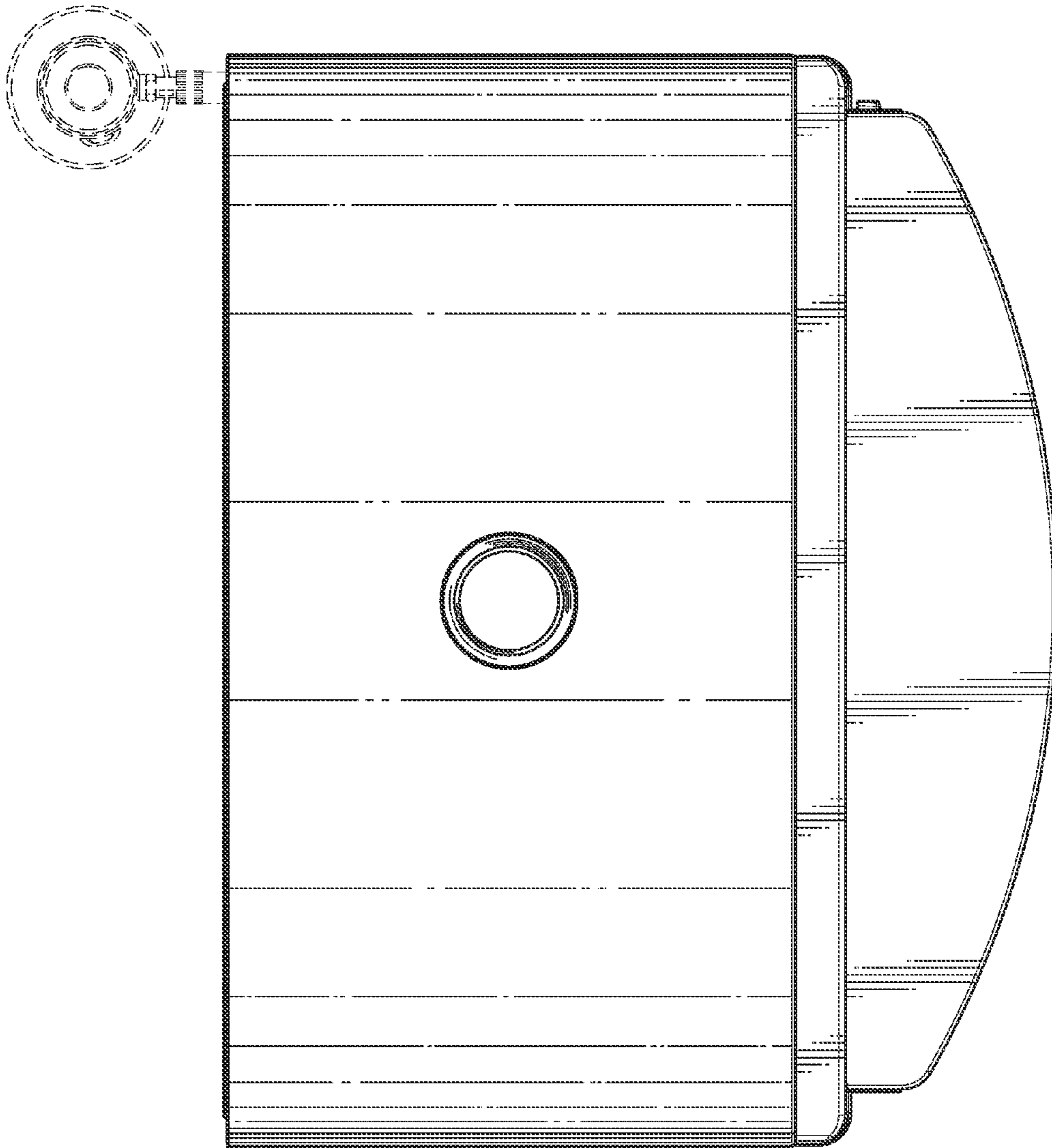


Fig. 2

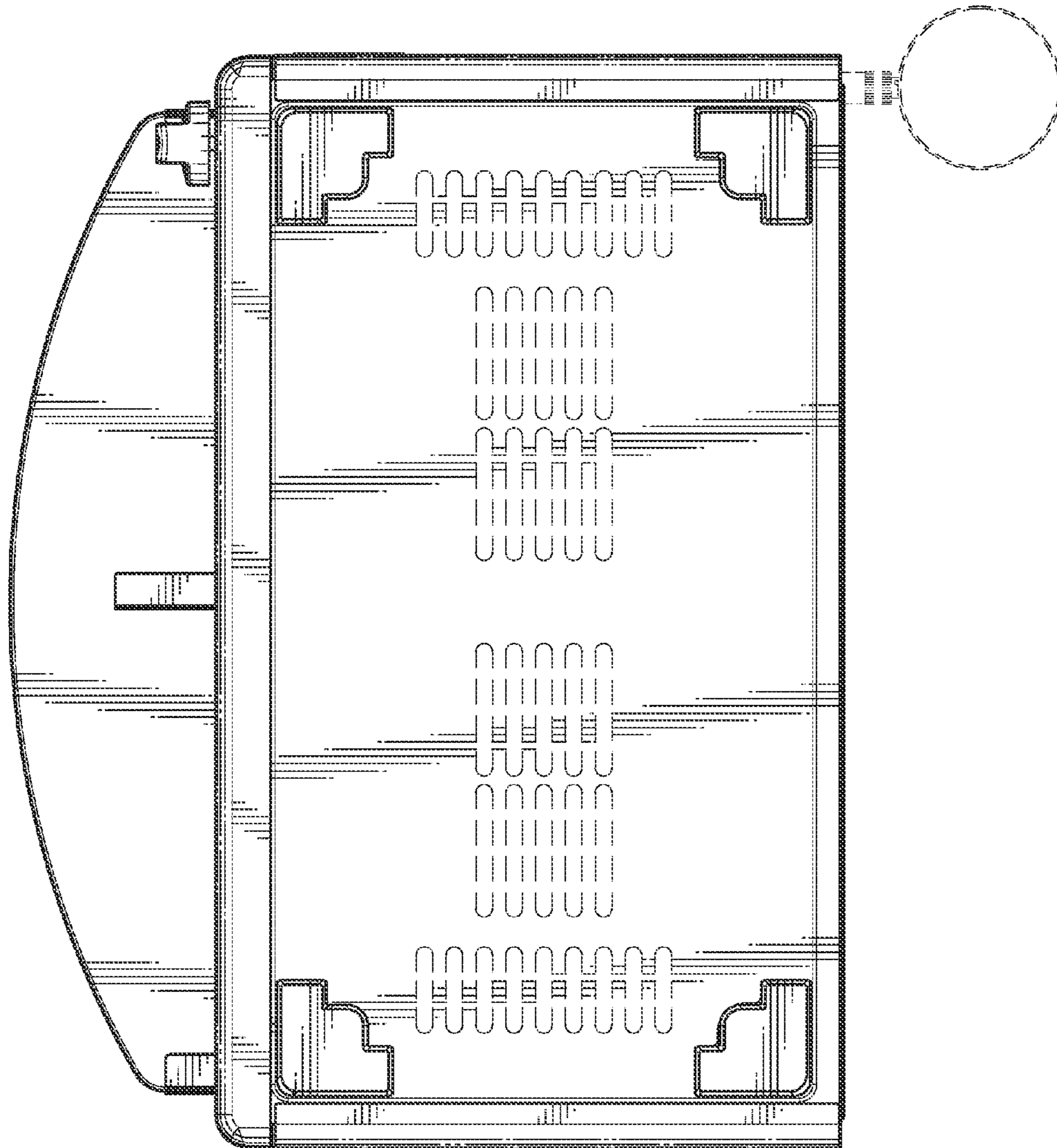


Fig. 3

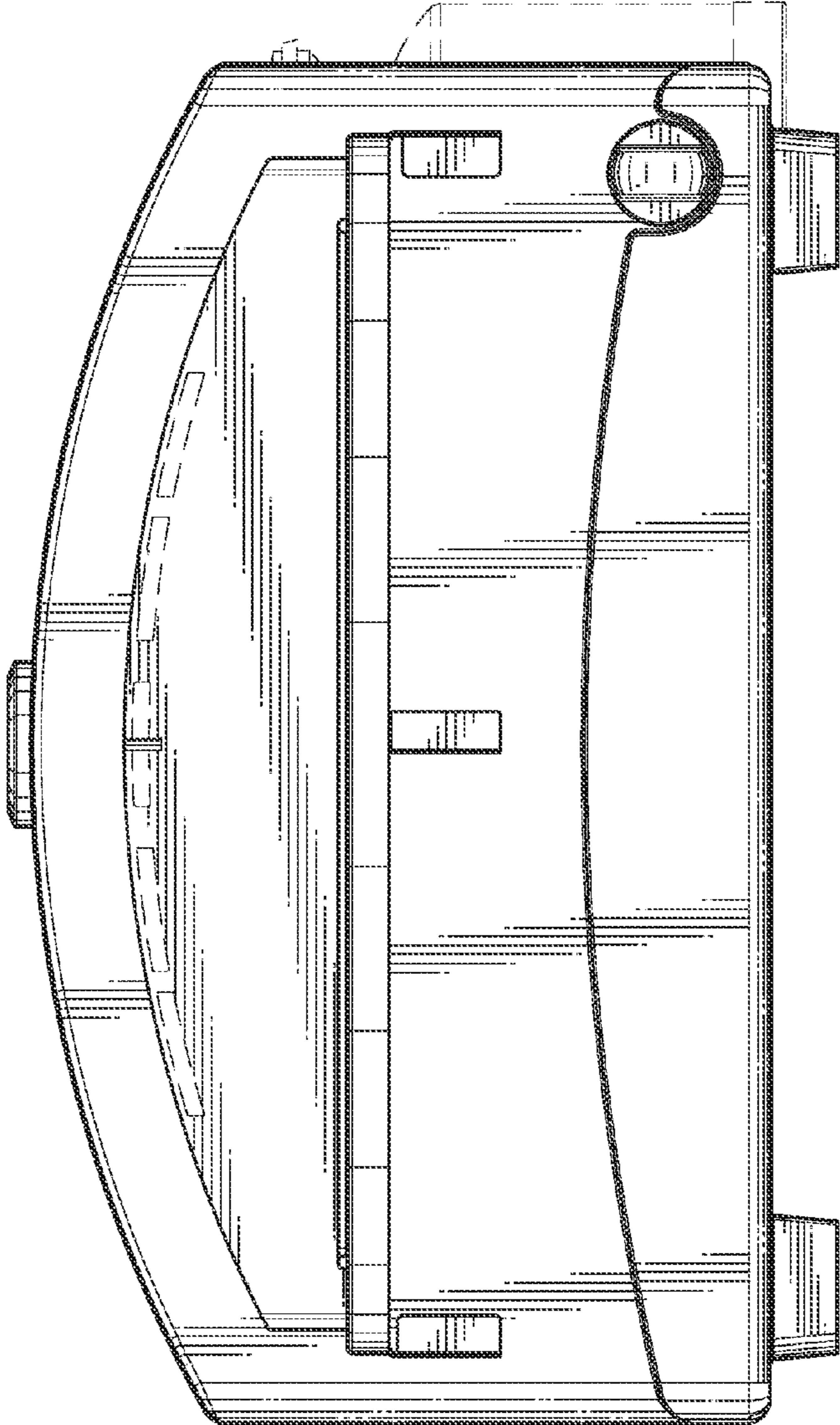


Fig. 4

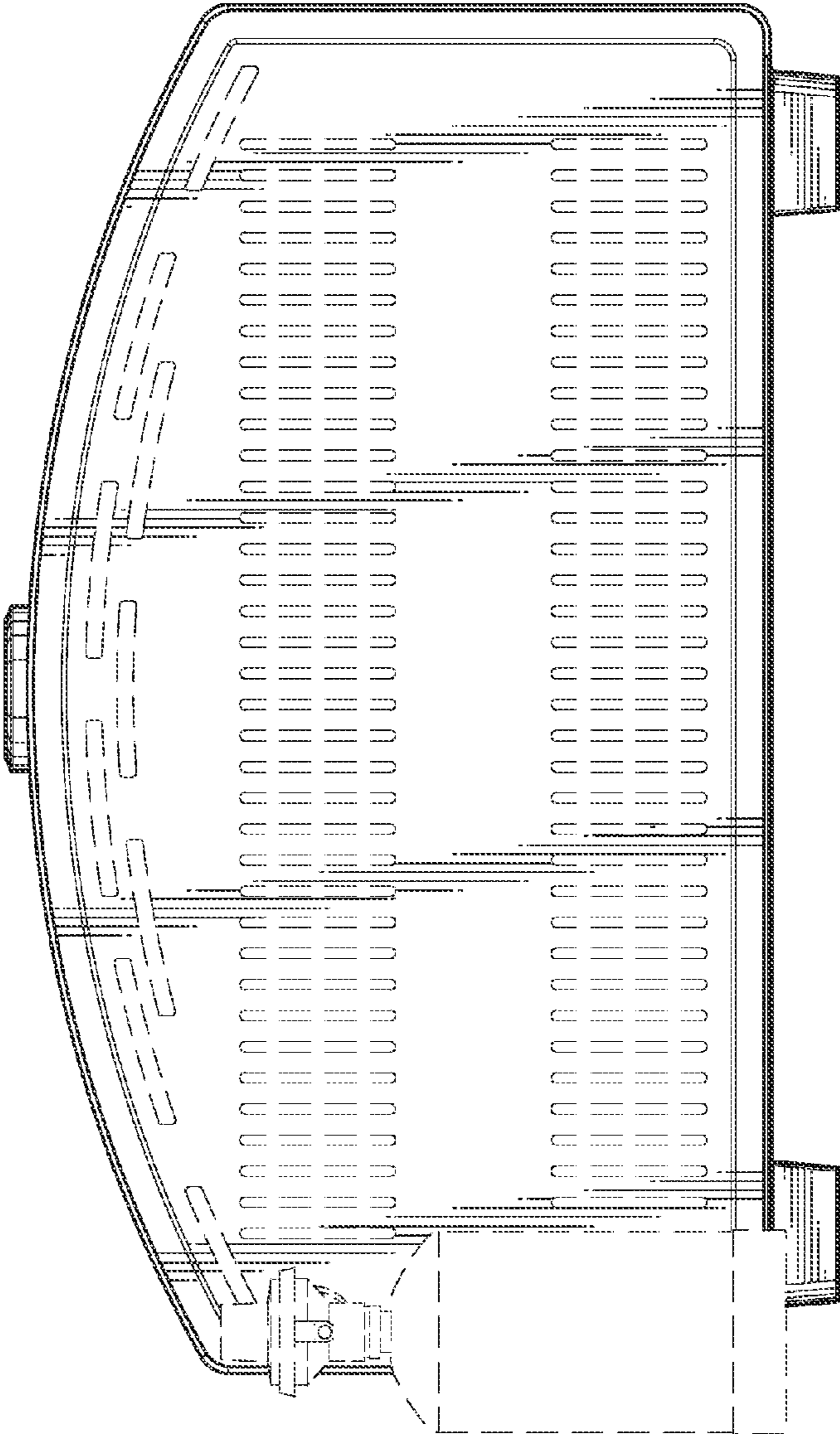


Fig. 5

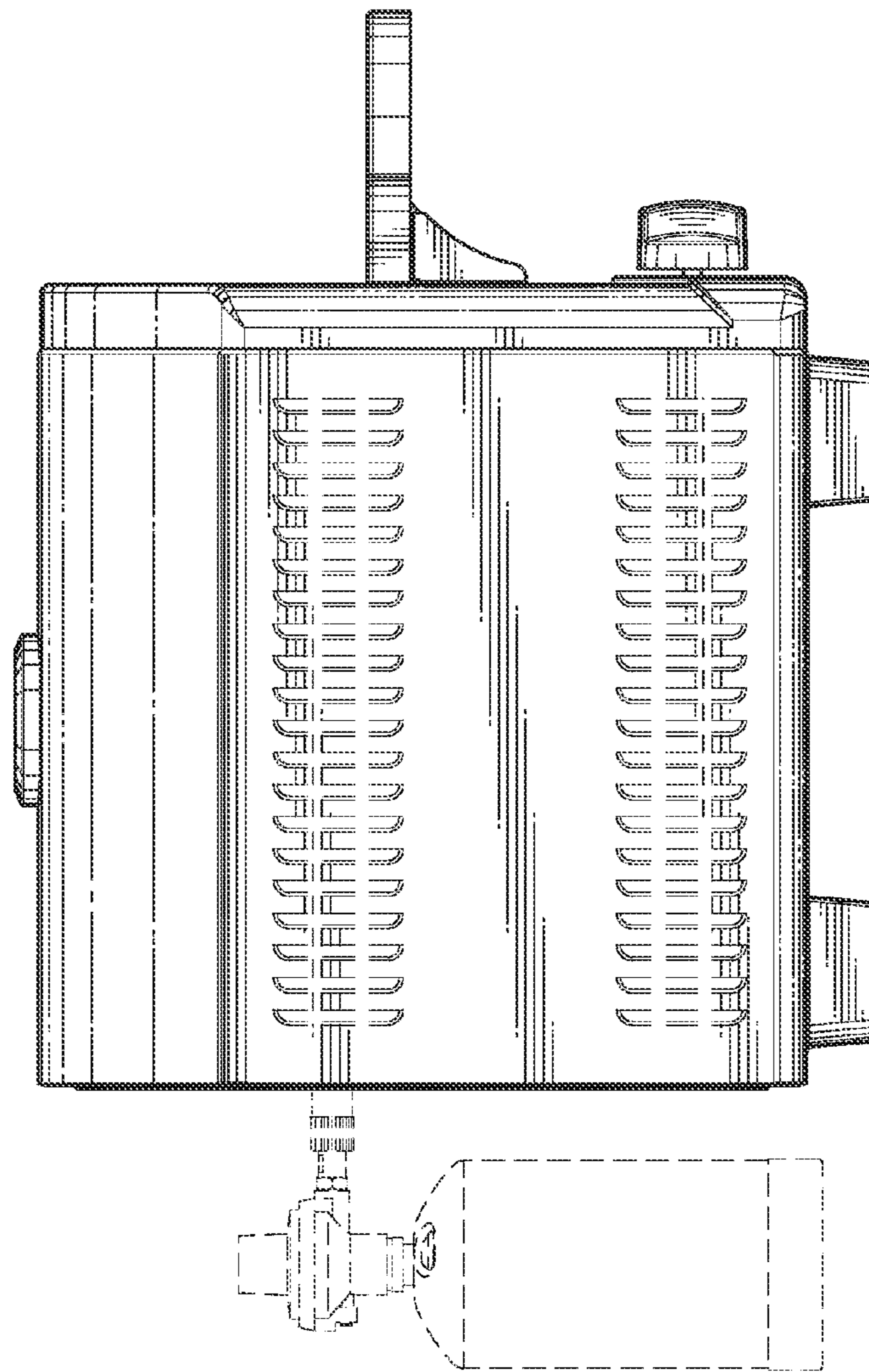


Fig. 6

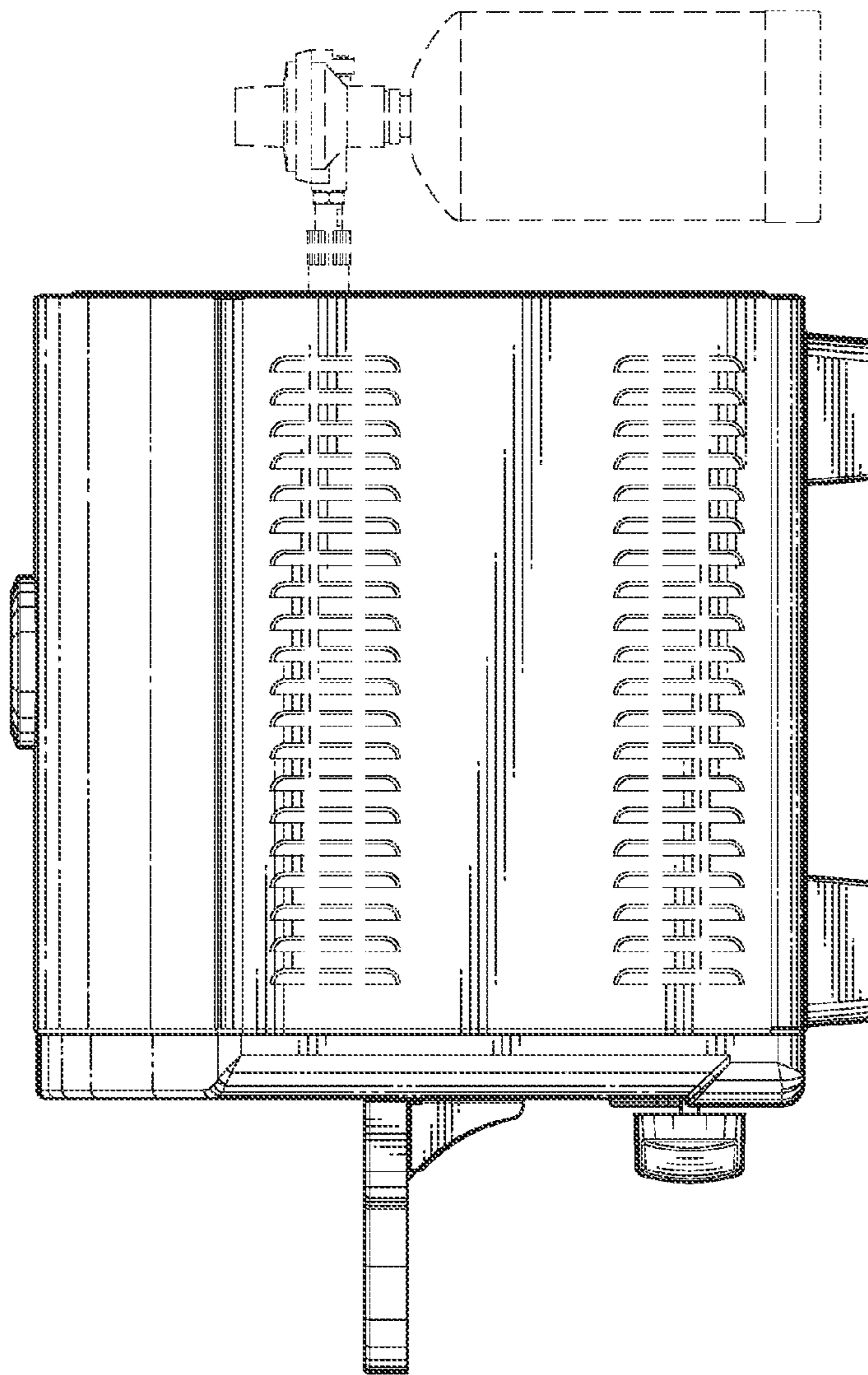


Fig. 7