

US00D693163S

(12) **United States Design Patent**  
**Kapka et al.**

(10) **Patent No.:** **US D693,163 S**  
(45) **Date of Patent:** **\*\* Nov. 12, 2013**

- (54) **SUPPORT LEG**
- (75) Inventors: **Mark Kapka**, San Francisco, CA (US);  
**Alan Ernest Rheault**, Grand Rapids, MI (US); **Karl Jahn Mead**, East Grand Rapids, MI (US)
- (73) Assignee: **Steelcase Inc.**, Grand Rapids, MI (US)
- (\*\*) Term: **14 Years**
- (21) Appl. No.: **29/430,864**
- (22) Filed: **Aug. 30, 2012**
- (51) **LOC (9) Cl.** ..... **06-06**
- (52) **U.S. Cl.**  
USPC ..... **D6/709**
- (58) **Field of Classification Search**  
USPC ..... D6/685, 686, 691, 1, 691.8, 691.9, 692, D6/709, 349; 108/153.1, 156, 157.1, 108/158.11, 161, 115; 248/188, 188.1, 248/188.7, 188.8  
  
See application file for complete search history.

D241,485 S	9/1976	Blodee	
4,032,188 A	6/1977	Jones	
D256,297 S	8/1980	Gera et al.	
D273,254 S	4/1984	Fairaizen	
D282,886 S	3/1986	Williams	
D284,142 S	6/1986	Raftery	
D312,001 S	11/1990	Synarski et al.	
D312,736 S	12/1990	Grosfillex	
D335,035 S	4/1993	Floyd	
D358,283 S	5/1995	Kelly	
D359,406 S	6/1995	Crawford et al.	
D368,190 S *	3/1996	Mitchell	D6/484
5,562,050 A *	10/1996	Colquhoun	108/115
D376,499 S	12/1996	Glick et al.	
D419,314 S	1/2000	Saul	
D476,175 S *	6/2003	Jackson	D6/484
D527,196 S	8/2006	Antonioni	
D530,929 S	10/2006	Resterhouse et al.	
D532,209 S	11/2006	Rodis	

(Continued)

Primary Examiner — Janice Seeger

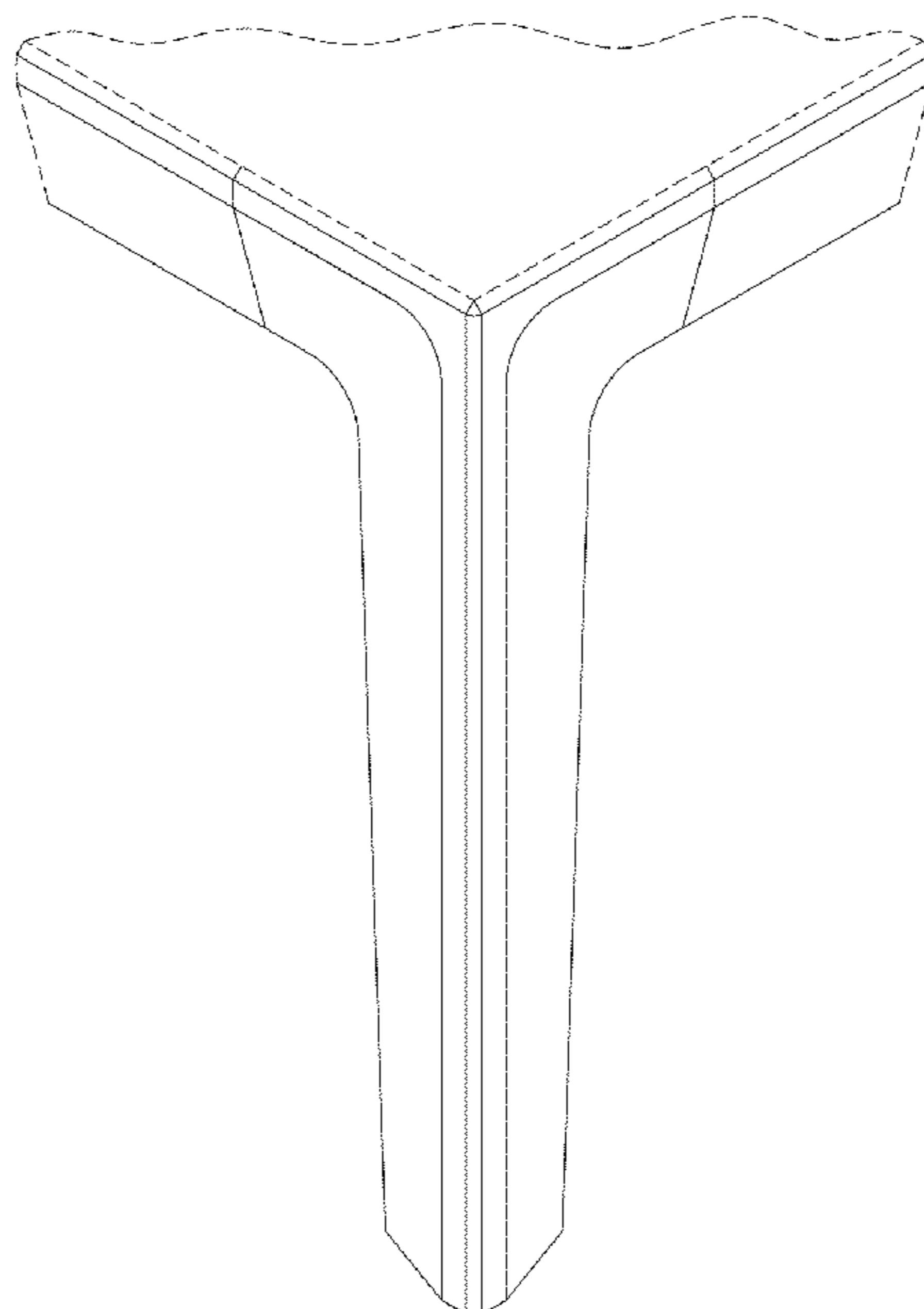
(57) **CLAIM**  
We claim the ornamental design for a support leg, as shown and described.

**DESCRIPTION**

FIG. 1 is a front perspective view of a support leg, according to one embodiment;  
FIG. 2 is a rear perspective view of a support leg of FIG. 1;  
FIG. 3 is a front view of a support leg of FIG. 1;  
FIG. 4 is a rear view of a support leg of FIG. 1;  
FIG. 5 is a right side view of a support leg of FIG. 1, the left side view is a mirror image of the right side view of FIG. 5;  
FIG. 6 is a top view of a support leg of FIG. 1; and,  
FIG. 7 is a bottom view of a support leg of FIG. 1.  
The dashed lines are for purposes of illustrating environmental structure and form no part of the claimed design.

**1 Claim, 3 Drawing Sheets**

- (56) **References Cited**  
U.S. PATENT DOCUMENTS
- |             |         |              |
|-------------|---------|--------------|
| D127,925 S  | 6/1941  | Scott        |
| 2,261,506 A | 11/1941 | Scott        |
| 2,279,946 A | 4/1942  | Linus        |
| 2,476,105 A | 7/1949  | Megary       |
| 2,899,691 A | 8/1959  | Davis et al. |
| 3,093,410 A | 6/1963  | Forest       |
| 3,127,216 A | 3/1964  | Clouse       |
| D203,817 S  | 2/1966  | Burke        |
| 3,241,885 A | 3/1966  | Deaton       |
| D214,245 S  | 5/1969  | Sand         |
| D215,839 S  | 11/1969 | Wormser      |
| 3,811,728 A | 5/1974  | Redemske     |



(56)

**References Cited**

U.S. PATENT DOCUMENTS

D538,549 S 3/2007 Spear  
D541,075 S 4/2007 Natuzzi  
D561,487 S 2/2008 Schweikarth et al.  
D566,417 S 4/2008 Mourgue  
D566,980 S 4/2008 Mourgue  
D569,112 S 5/2008 Swanson  
D575,963 S 9/2008 Gomez  
D577,211 S 9/2008 Natuzzi  
D582,688 S 12/2008 Spear  
D586,590 S 2/2009 Schweikarth et al.

D587,918 S 3/2009 Bergman et al.  
D597,328 S 8/2009 Schweikarth et al.  
D600,938 S 9/2009 Natuzzi  
D614,876 S 5/2010 Metcalf et al.  
D614,884 S 5/2010 Metcalf et al.  
D615,767 S 5/2010 Griepentrog et al.  
D617,122 S 6/2010 Moon et al.  
D618,935 S 7/2010 Metcalf et al.  
D620,288 S 7/2010 Stiker Metral  
D624,328 S 9/2010 Grandin et al.  
D639,083 S 6/2011 Martin  
D653,881 S \* 2/2012 Korb ..... D6/495  
D666,434 S \* 9/2012 Grosser ..... D6/495

\* cited by examiner

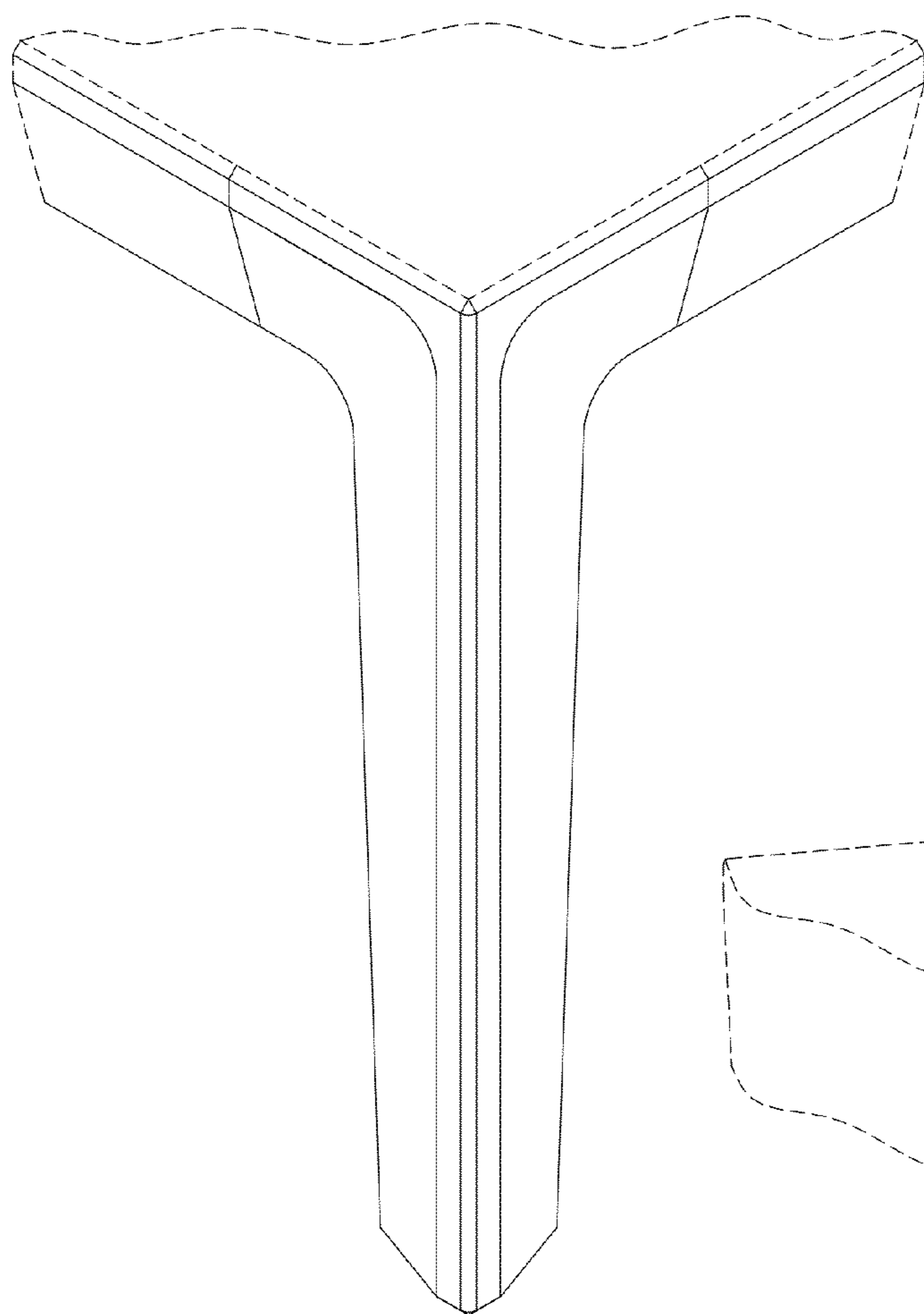


FIG. 1

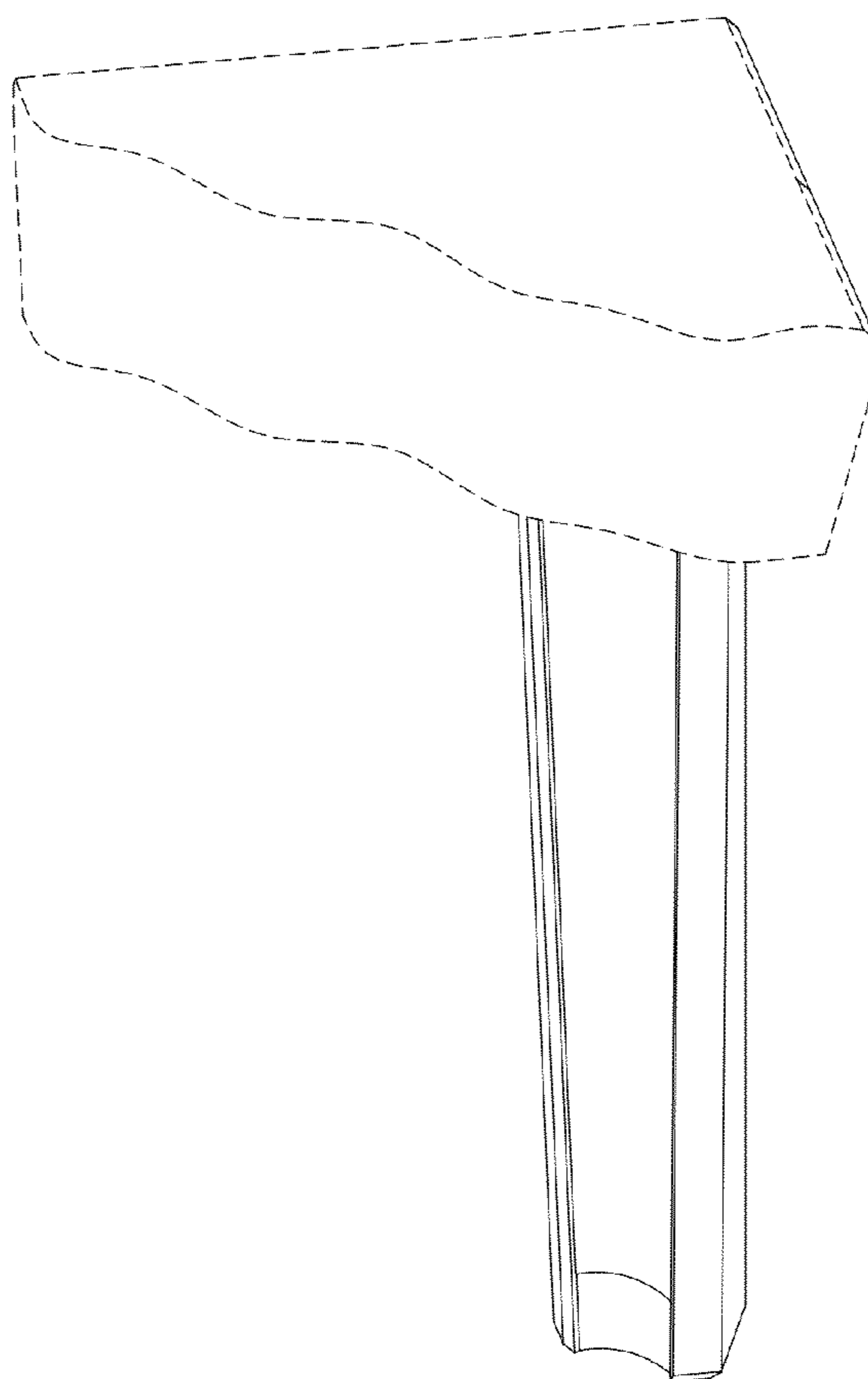


FIG. 2

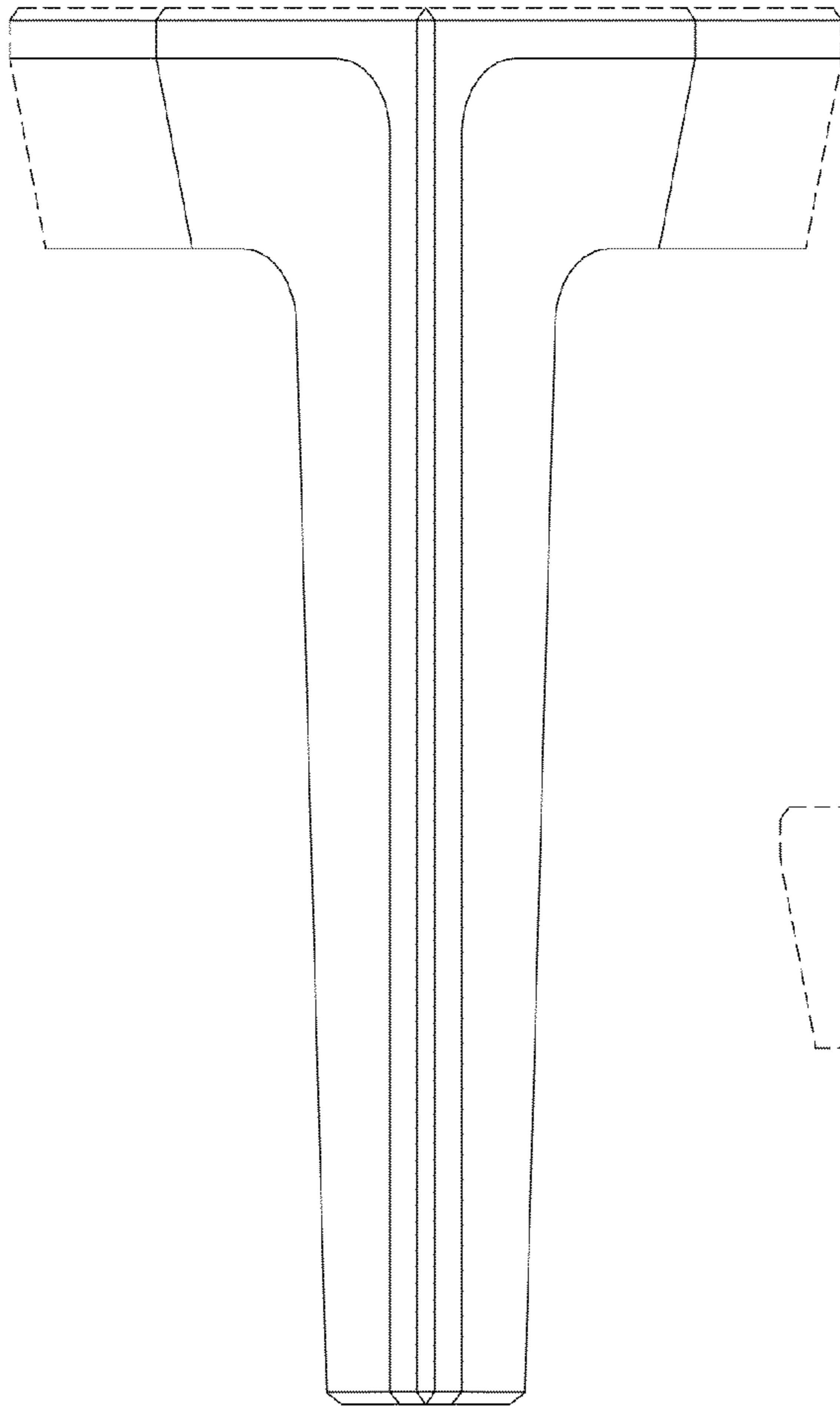


FIG. 3



FIG. 4

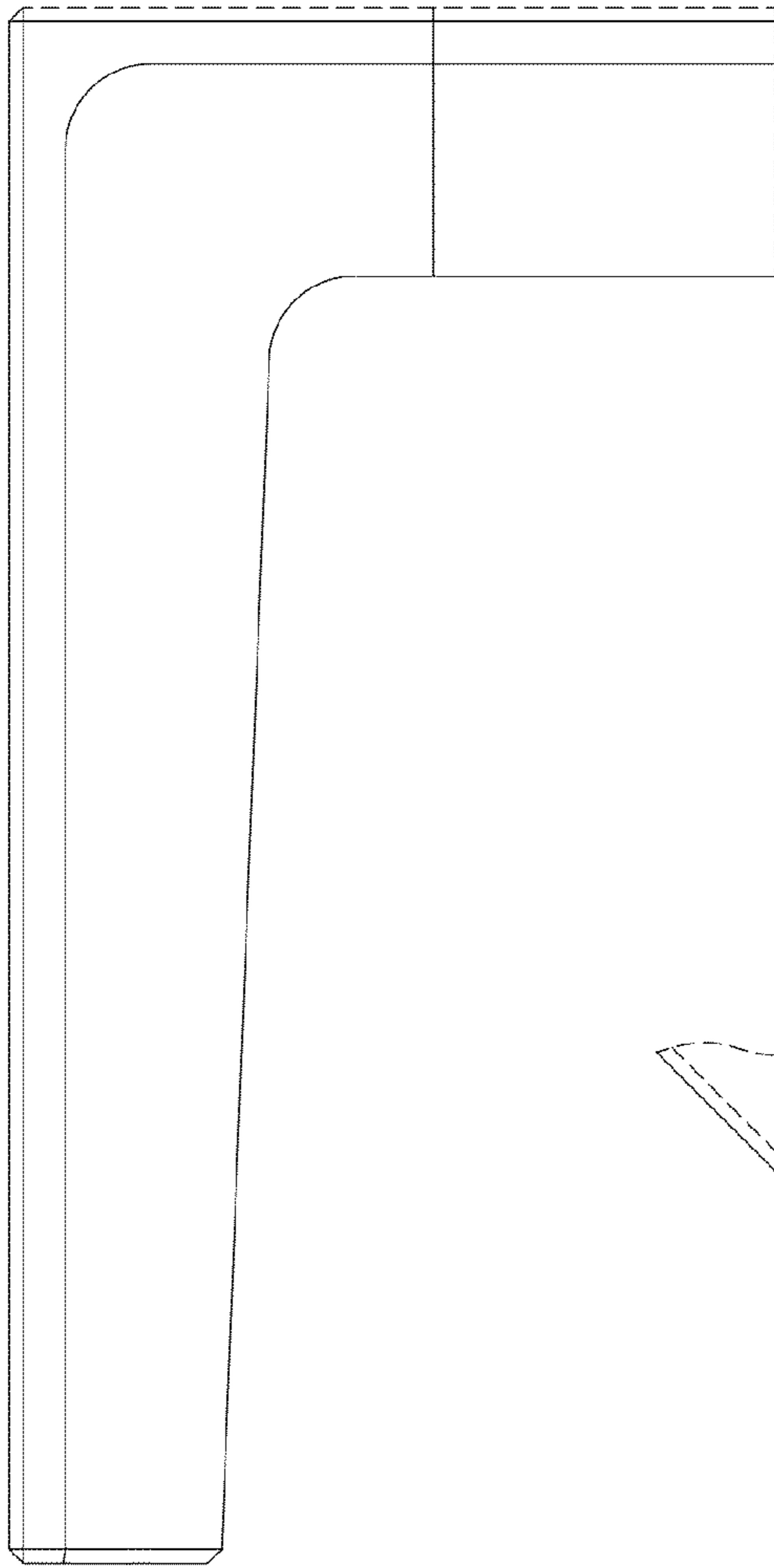


FIG. 5

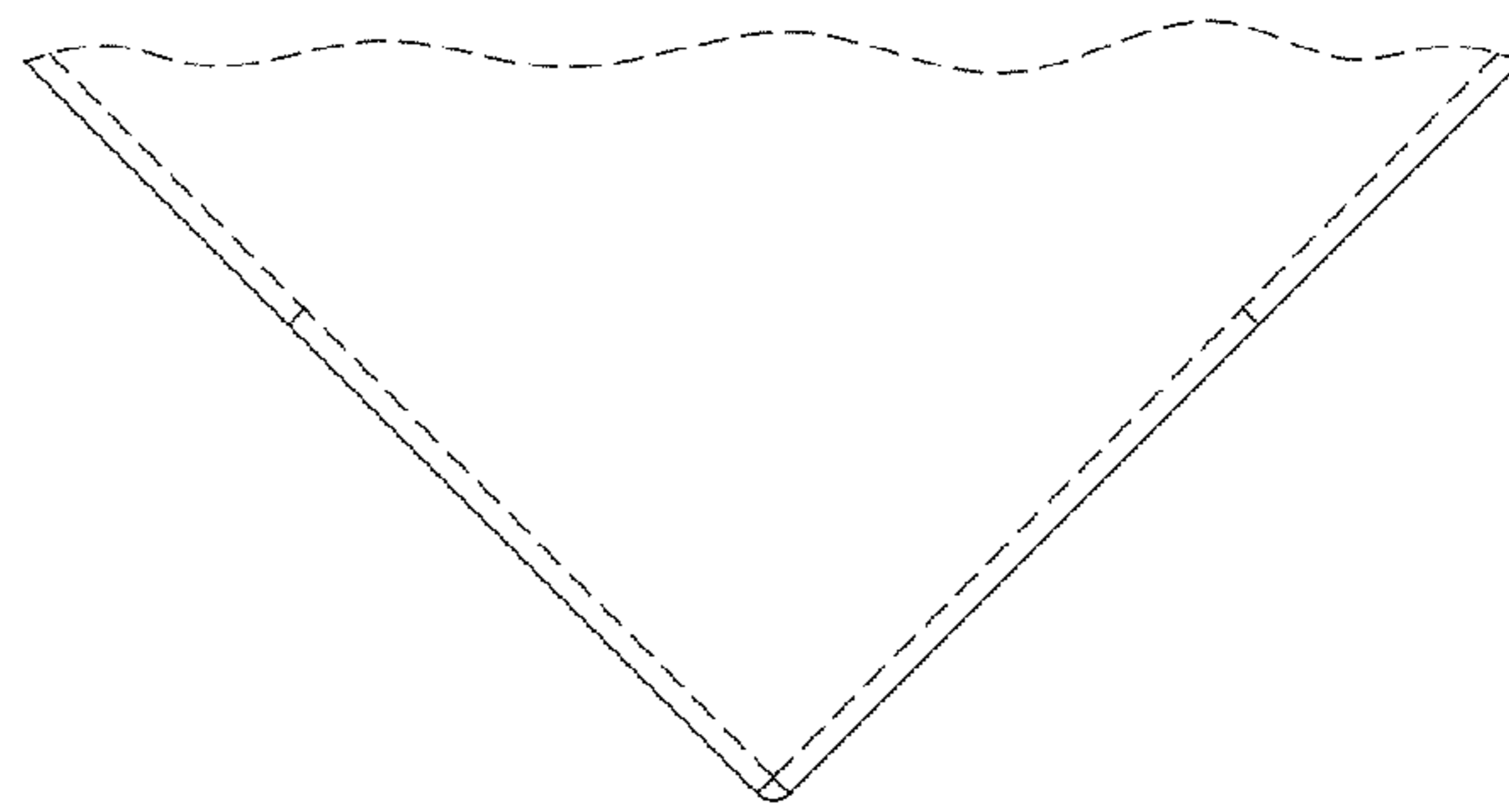


FIG. 6

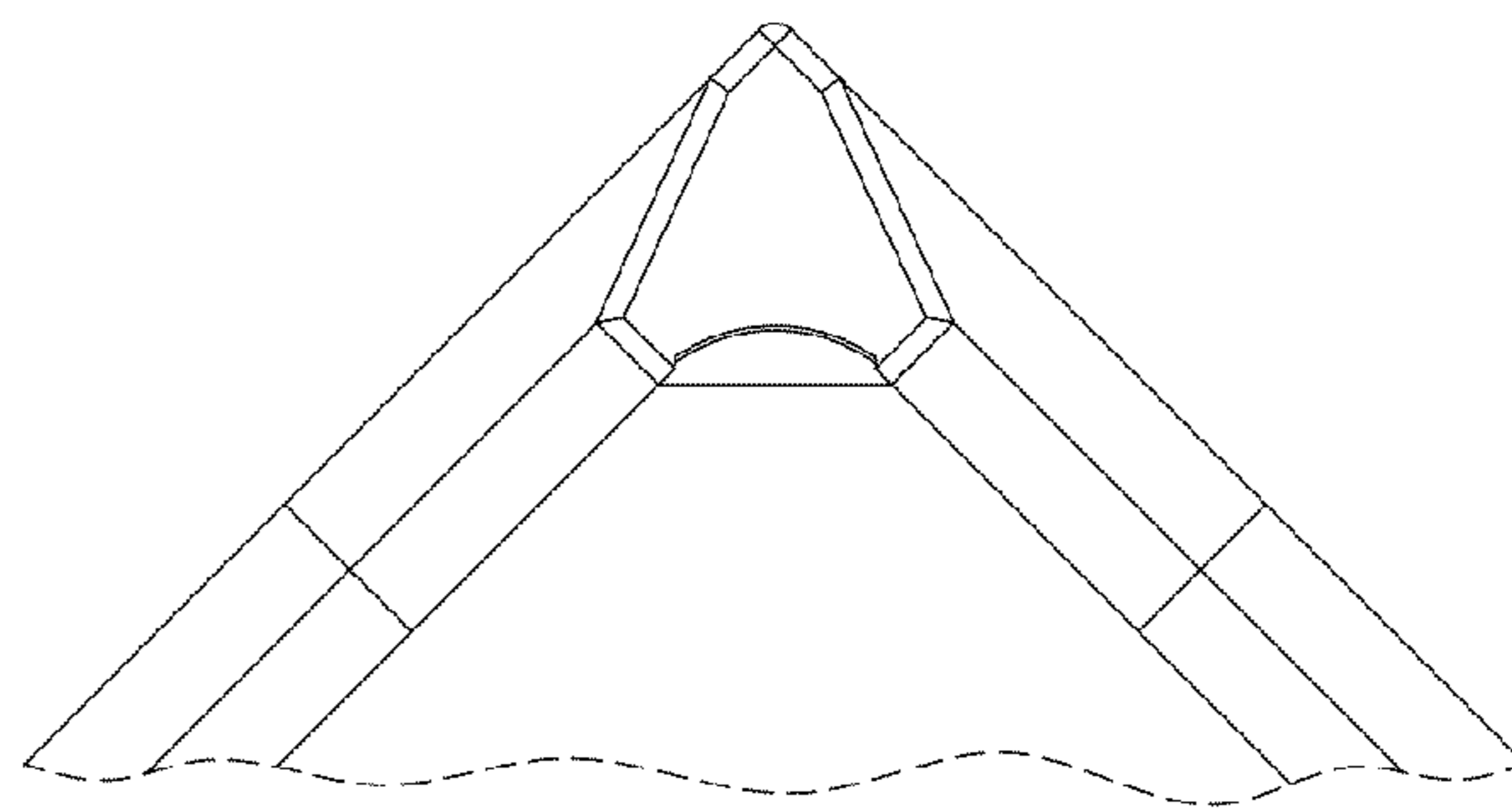


FIG. 7