



US00D693162S

(12) **United States Design Patent**
Polidoros

(10) **Patent No.:** **US D693,162 S**

(45) **Date of Patent:** **** *Nov. 12, 2013**

(54) **ELEVATION STAND**

D339,002 S 9/1993 Wong
D413,210 S 8/1999 Haserjian
D441,574 S * 5/2001 Voyce, IV D6/488

(71) Applicant: **IHS Global Design Pty. Ltd.**, Rowville (AU)

(Continued)

(72) Inventor: **Nicholas Polidoros**, Mitcham (AU)

FOREIGN PATENT DOCUMENTS

(73) Assignee: **IHS Global Design Pty. Ltd.** (AU)

FR 674881 2/1930
GB 2060886 2/1997
JP 55013857 1/1989

(*) Notice: This patent is subject to a terminal disclaimer.

OTHER PUBLICATIONS

(**) Term: **14 Years**

Bloomberry, Rosewood foldable tray table, 1stdibs.com, http://www.1stdibs.com/furniture_item_print.php?id=664172, available at least as early as Nov. 2, 2012.

(21) Appl. No.: **29/446,668**

Fornasetti Lacquered Tray Table, 1stdibs.com, http://www.1stdibs.com/furniture_item_print.php?id=700614, available at least as early as Nov. 2, 2012.

(22) Filed: **Feb. 26, 2013**

Mark Frisman, Hans Wegner Occasional Table in Teak, 1stdibs.com, http://www.1stdibs.com/furniture_item_print.php?id=711797, available at least as early as Nov. 2, 2012.

Related U.S. Application Data

(60) Division of application No. 29/424,879, filed on Jun. 16, 2012, which is a continuation of application No. 12/377,096, filed on Feb. 10, 2009, now abandoned.

(Continued)

(30) **Foreign Application Priority Data**

Aug. 11, 2006 (AU) 2006203492

Primary Examiner — Janice Seeger

(51) **LOC (9) Cl.** **06-06**

(74) *Attorney, Agent, or Firm* — Saidman DesignLaw Group

(52) **U.S. Cl.**
USPC **D6/708.16; D6/711**

(57) **CLAIM**

(58) **Field of Classification Search**
USPC D6/480–489, 495–499, 349, 708.16, D6/692.4, 677.5, 680.3, 681, 681.1, 691.6, D6/691.7, 692.5, 711, 711.1; 108/153.1, 108/155, 156, 157.1, 161, 157.16, 157.18; 248/188, 188.1, 188.8, 188.6, 167
See application file for complete search history.

The ornamental design for an elevation stand, as shown and described.

DESCRIPTION

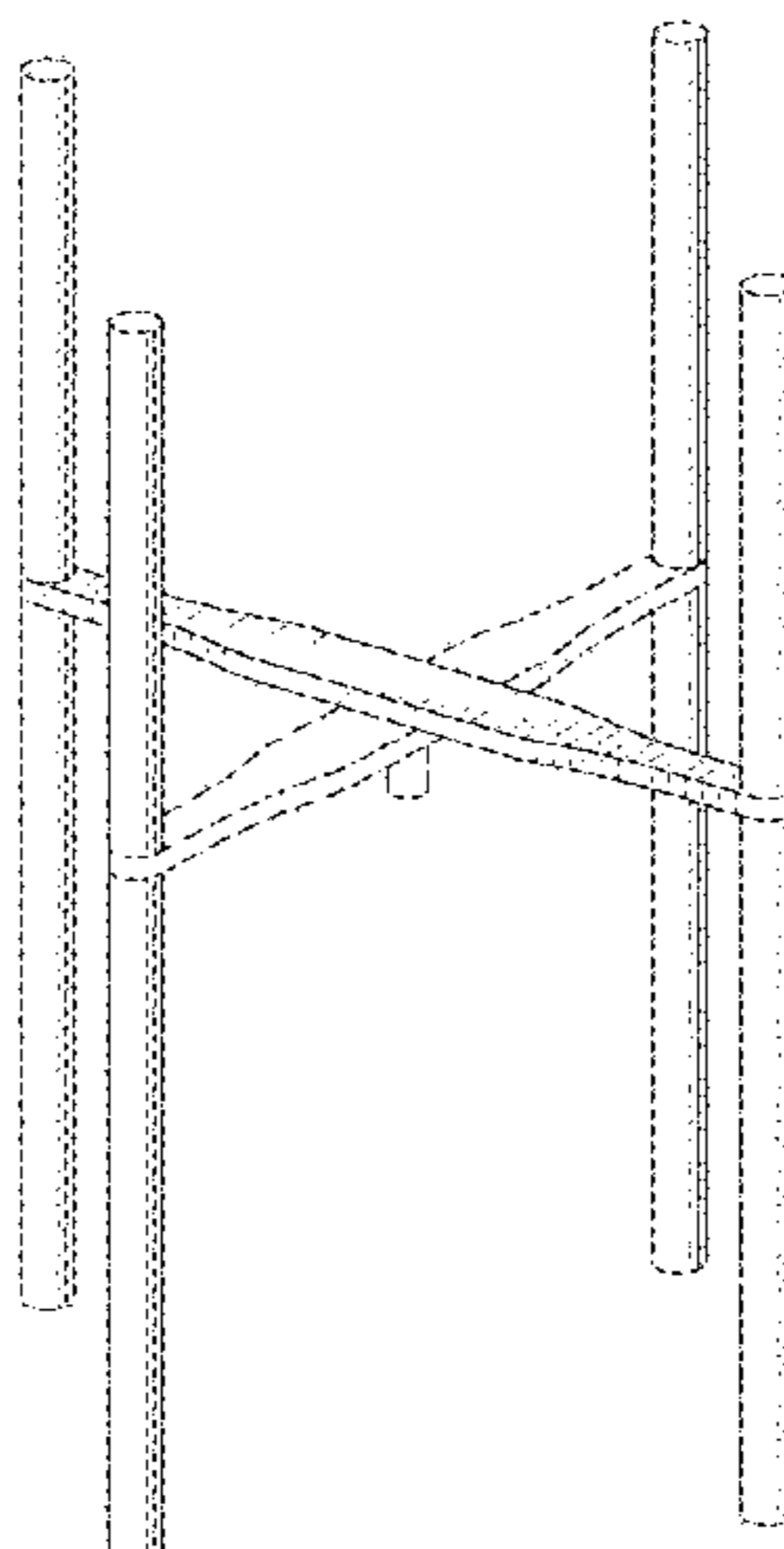
(56) **References Cited**

U.S. PATENT DOCUMENTS

2,010,342 A 8/1935 Woods
2,190,623 A 2/1940 Benson
RE30,020 E 6/1979 Spencer et al.

FIG. 1 is a side perspective view of an elevation stand showing my new design;
FIG. 2 is a top view thereof;
FIG. 3 is a bottom view thereof;
FIG. 4 is a side view thereof, taken along line 4-4 of FIG. 2; and,
FIG. 5 is a side view thereof, taken along line 5-5 of FIG. 2. The broken lines illustrate environmental structure and form no part of the claimed design. The relatively light shade lines on the surface portions indicate contour and not surface decoration.

1 Claim, 4 Drawing Sheets



(56)

References Cited

U.S. PATENT DOCUMENTS

D455,298 S *	4/2002	McDaniel et al.	D6/480
D461,342 S	8/2002	Spitler	
D558,487 S *	1/2008	Everson et al.	D6/480
D606,337 S	12/2009	Lee	
D662,735 S	7/2012	Polidoros	
2008/0143166 A1	6/2008	de Oliveira	
2010/0147200 A1	6/2010	Polidoros	

OTHER PUBLICATIONS

Dual, Nest of Occasional Tables Bertha Schaefer for M. Singer & Sons, 1stdibs.com, http://www.1stdibs.com/furniture_item_print.php?id=330714, available at least as early as Nov. 2, 2012.
G4 Décor, Tole Tray with Stand, 1stdibs.com, http://www.1stdibs.com/furniture_item_print.php?id=499089, available at least as early as Nov. 2, 2012.

* cited by examiner

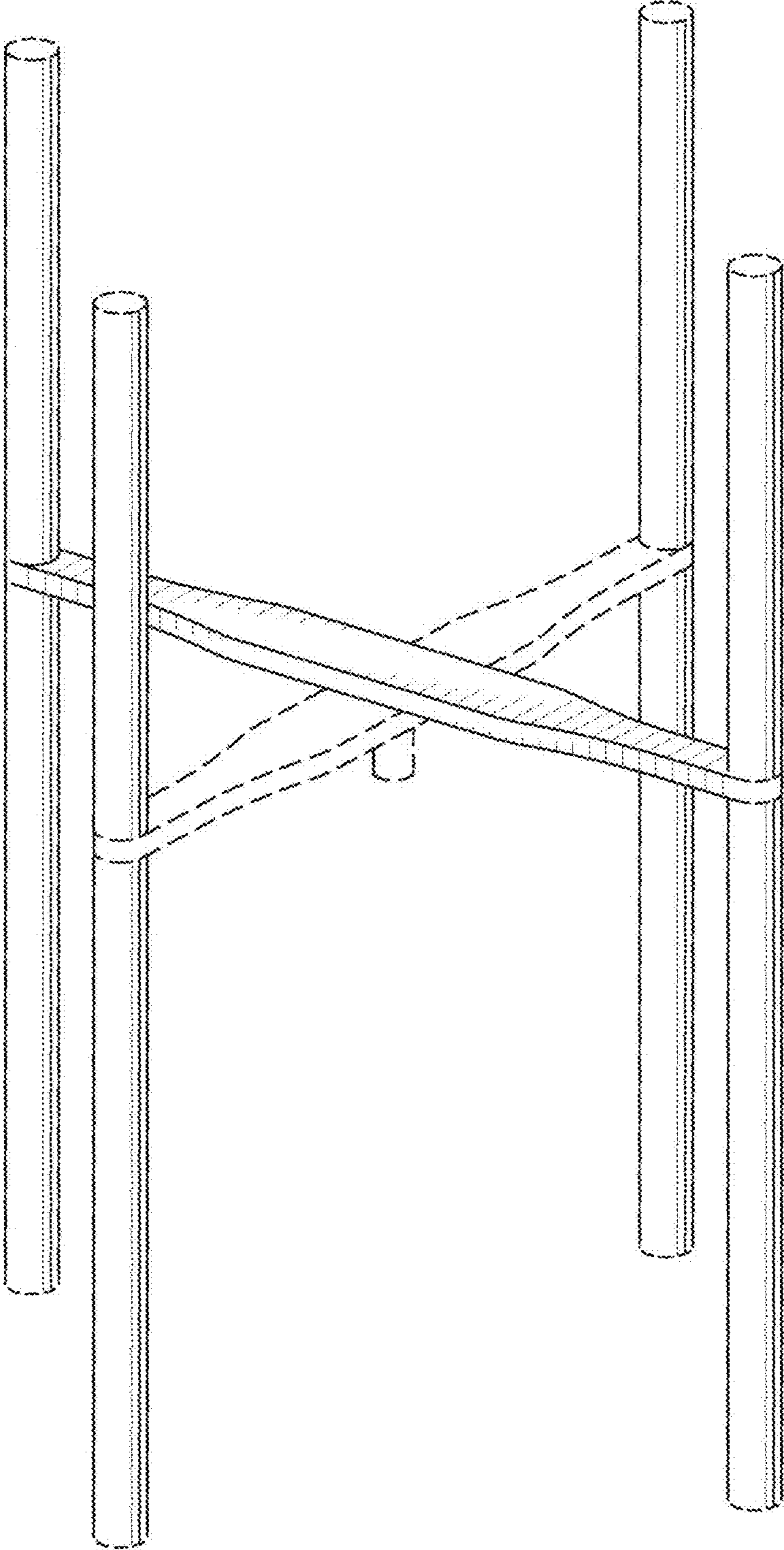
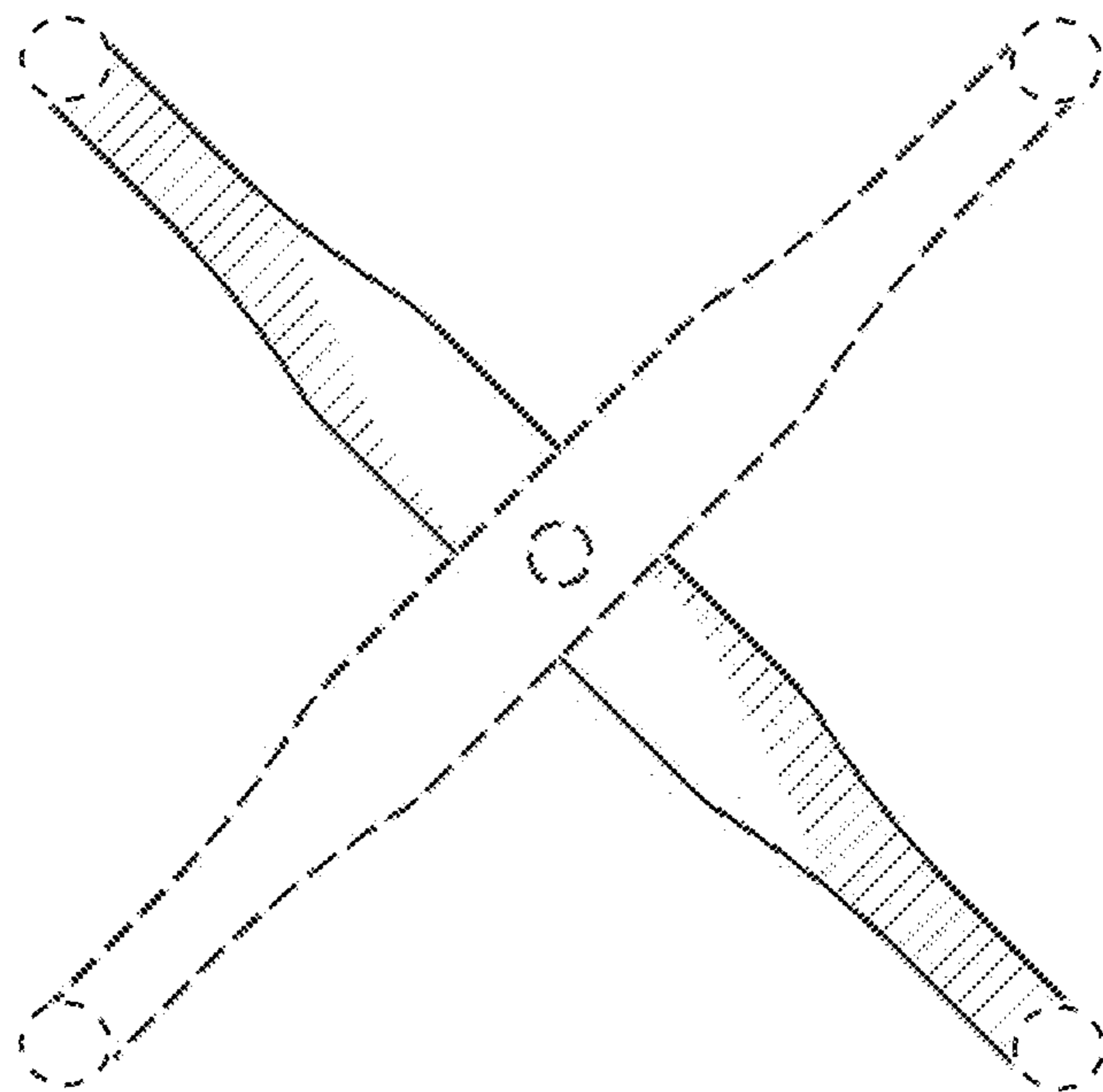
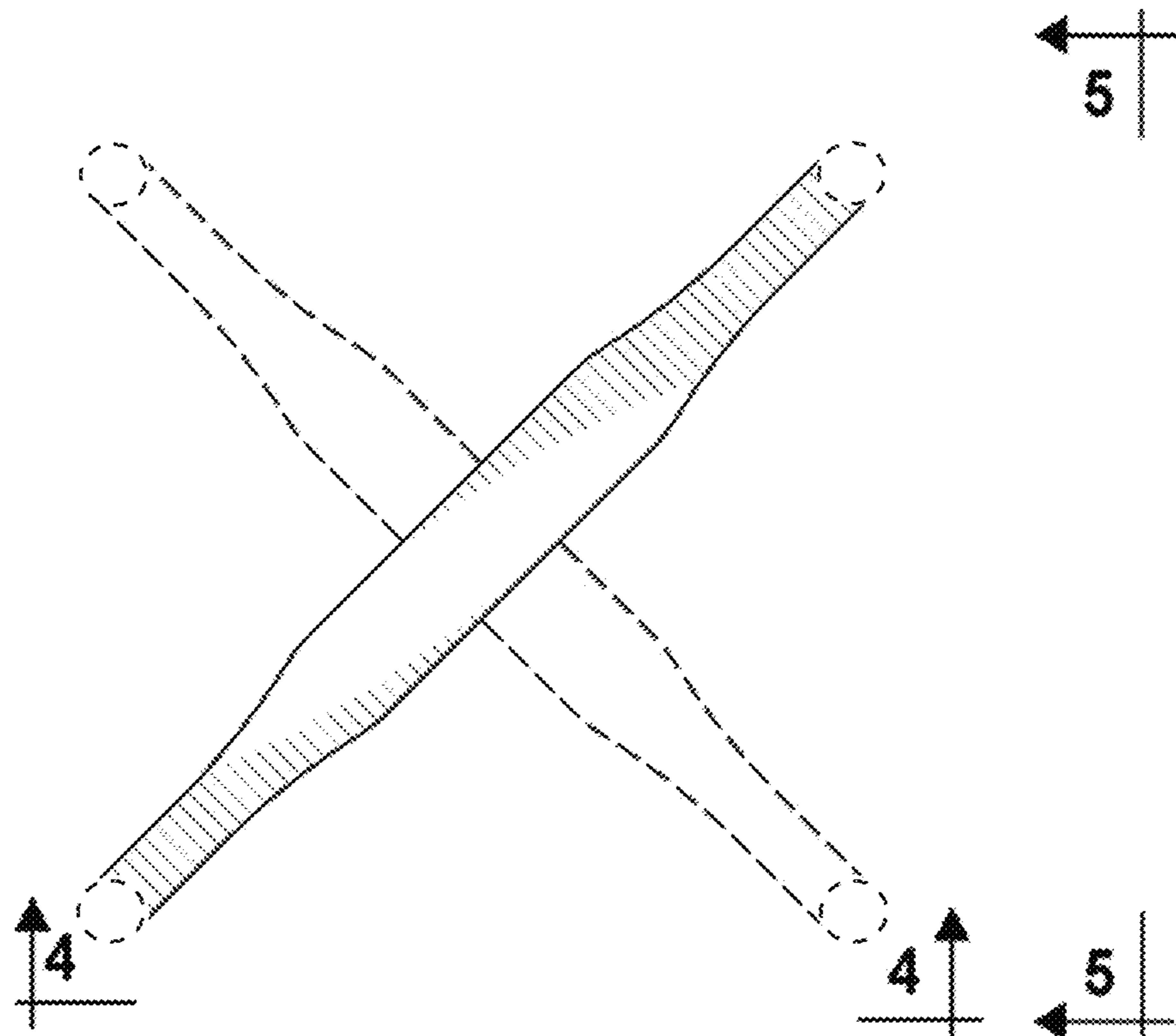


FIG. 1



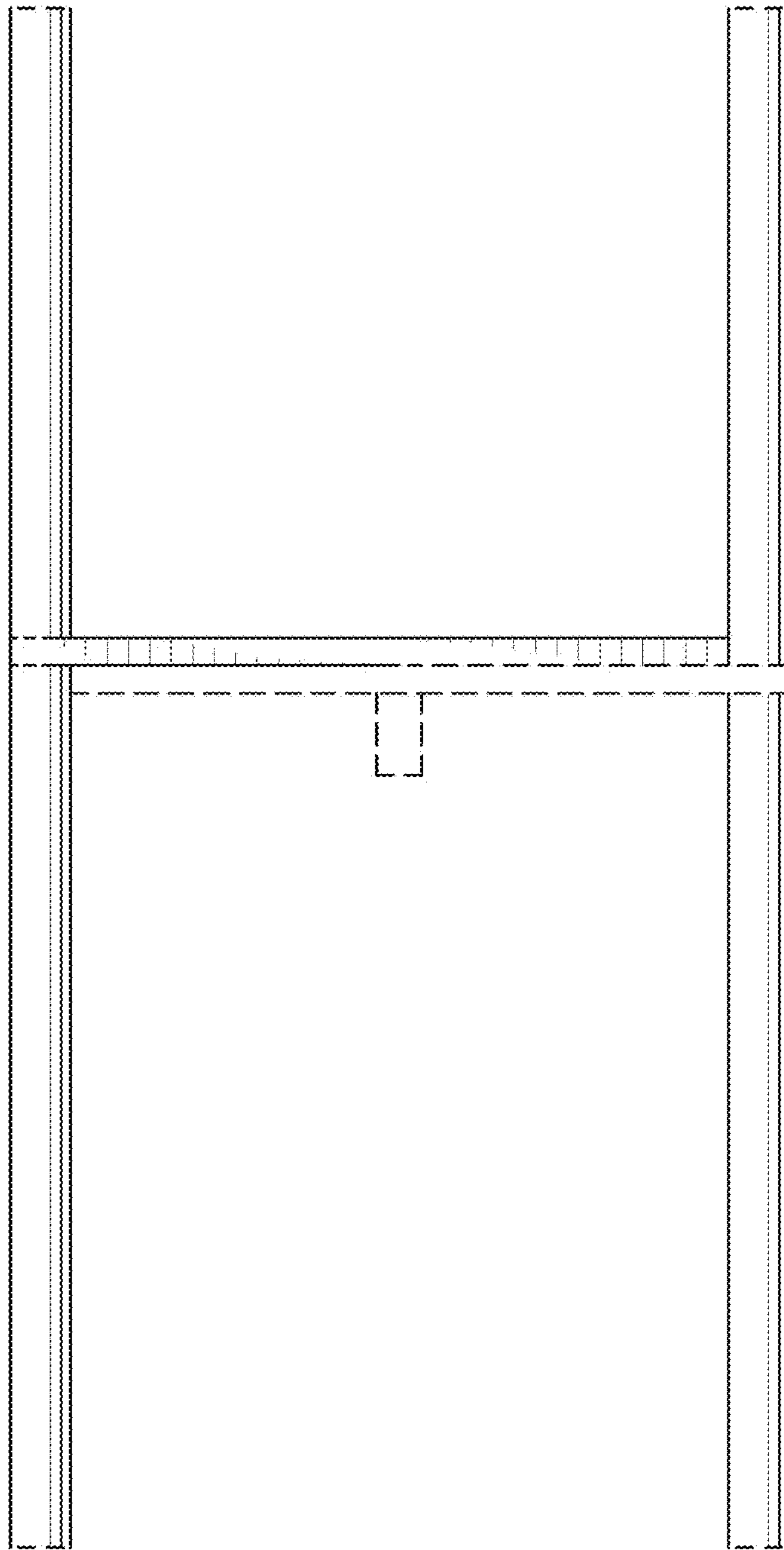


FIG. 4

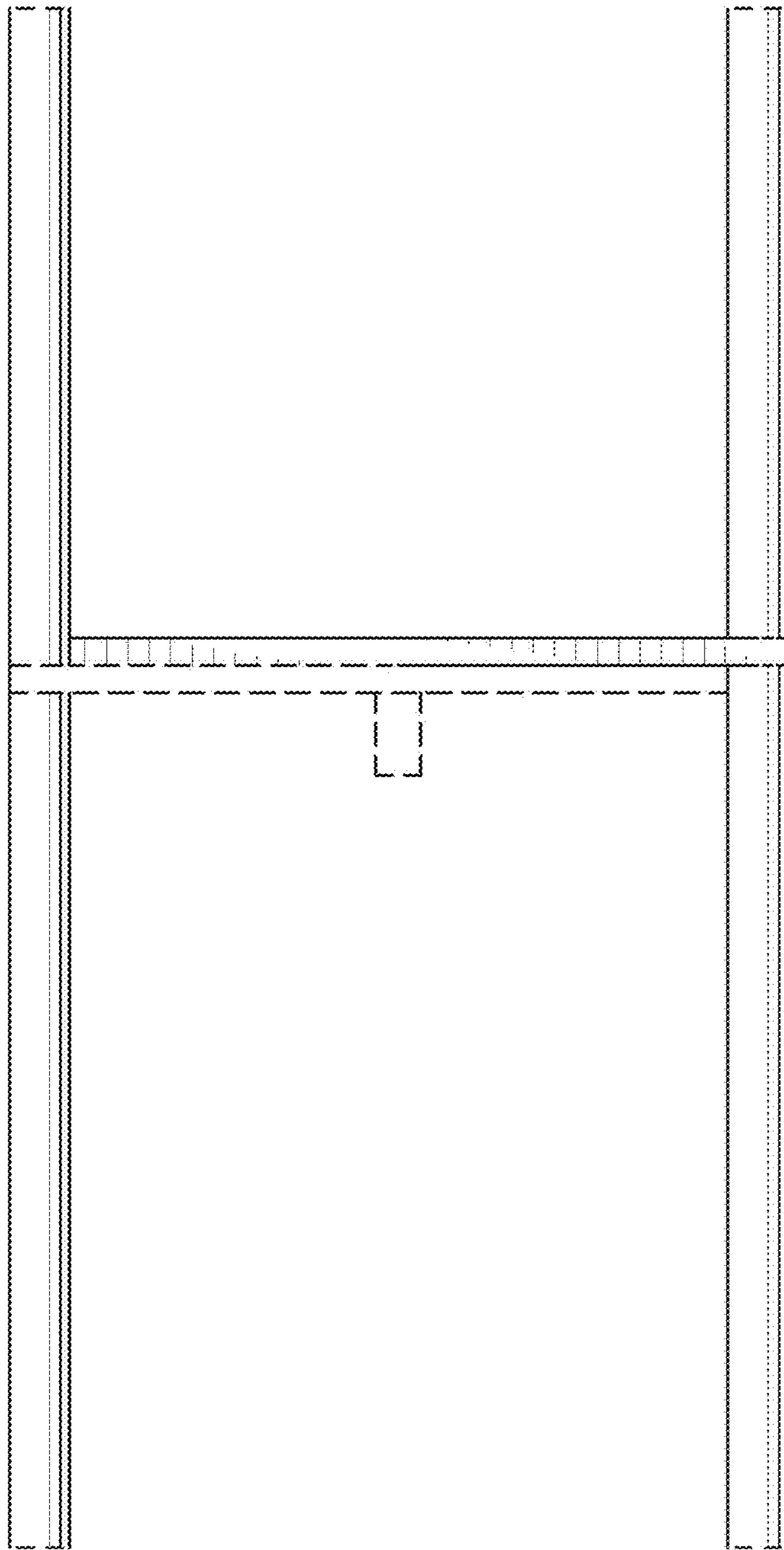


FIG. 5

UNITED STATES PATENT AND TRADEMARK OFFICE
CERTIFICATE OF CORRECTION

PATENT NO. : D693,162 S
APPLICATION NO. : 29/446668
DATED : November 12, 2013
INVENTOR(S) : Nicholas Polidoros

Page 1 of 1

It is certified that error appears in the above-identified patent and that said Letters Patent is hereby corrected as shown below:

Title Page: Item 86

The following priority data was omitted from the Patent:

May 4, 2007 PCT/AU2007/000589

Title Page: Item 63

The Related U.S. Application Data should appear as follows:

Division of application No. 29/424,879, filed June 16, 2012, which is a continuation of application No. 12/377,096, filed February 10, 2009, now abandoned, which is a 371 of expired international application No. PCT/AU2007/000589 filed May 4, 2007.

Signed and Sealed this
Twenty-fifth Day of March, 2014



Michelle K. Lee
Deputy Director of the United States Patent and Trademark Office