

US00D693160S

(12) **United States Design Patent**  
**Baylar**

(10) **Patent No.:** **US D693,160 S**

(45) **Date of Patent:** **\*\* Nov. 12, 2013**

(54) **TABLE BASE**

(71) Applicant: **Barlas Baylar**, New York, NY (US)  
(72) Inventor: **Barlas Baylar**, New York, NY (US)  
(73) Assignee: **Hudson Furniture, Inc.**, New York, NY (US)

(\*\*) Term: **14 Years**

(21) Appl. No.: **29/433,681**

(22) Filed: **Oct. 3, 2012**

(51) **LOC (9) Cl.** ..... **06-03**

(52) **U.S. Cl.**  
USPC ..... **D6/708**

(58) **Field of Classification Search**  
USPC ..... D6/685, 686, 690, 961, 691.5, 691.8,  
D6/691.9, 696, 692, 708, 708.1, 708.14,  
D6/708.16, 709; 108/150, 153.1, 156, 161,  
108/157.1; 248/188, 188.1, 188.7, 188.8

See application file for complete search history.

(56) **References Cited**

U.S. PATENT DOCUMENTS

D114,758 S *	5/1939	Hartman .....	D6/477
D138,821 S *	9/1944	Larson .....	D6/484
D200,413 S *	2/1965	Pearsall .....	D6/495
4,228,979 A *	10/1980	Lanphear .....	248/188.1
D563,123 S *	3/2008	Muller et al. ....	D6/495

\* cited by examiner

*Primary Examiner* — Janice Seeger  
(74) *Attorney, Agent, or Firm* — Baker & Rannells, PA

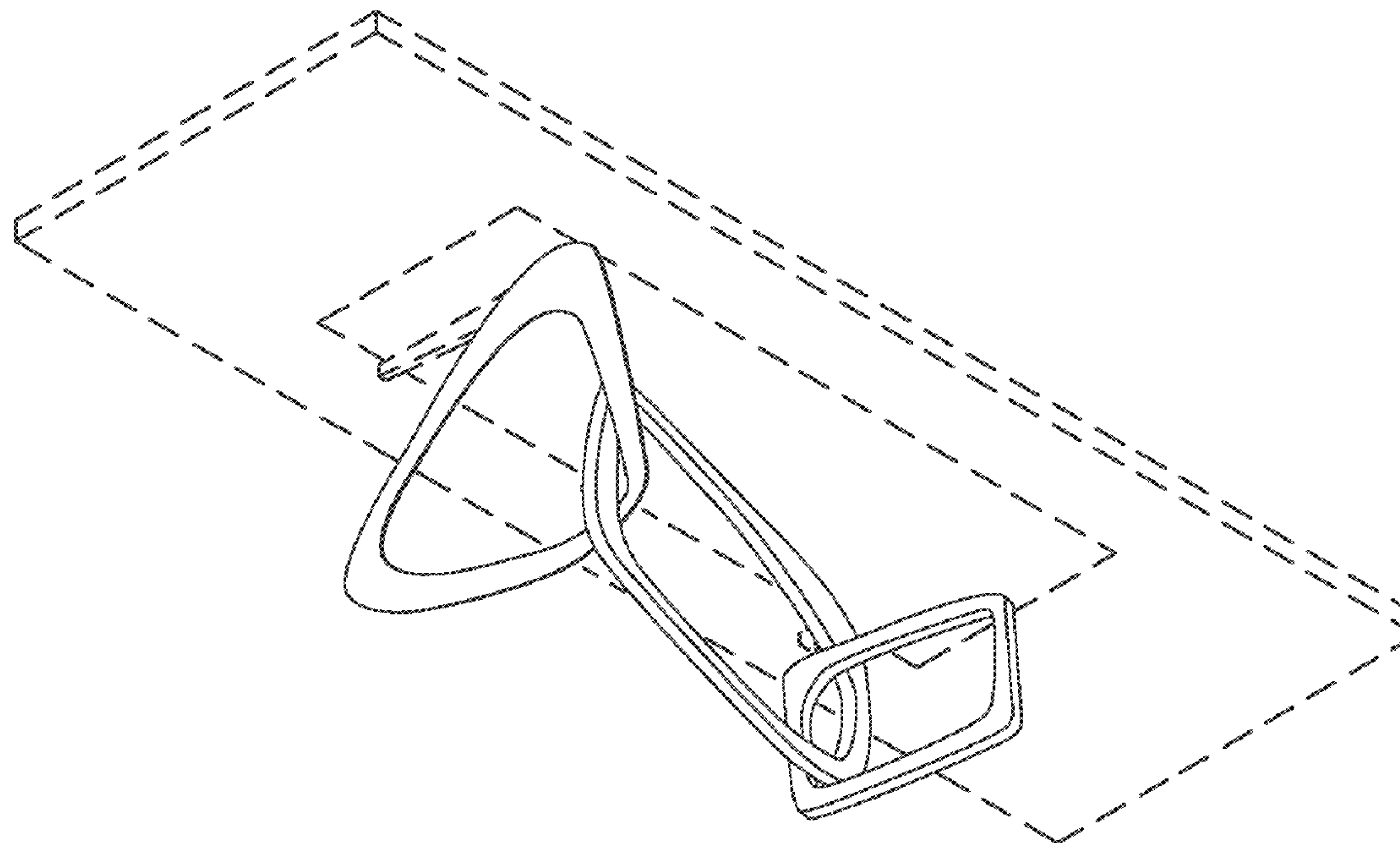
(57) **CLAIM**

The ornamental design for a table base, as shown and described.

**DESCRIPTION**

FIG. 1 is an isometric view of a base in accordance with the new design;  
FIG. 2 is a front elevational view thereof;  
FIG. 3 is a rear elevational view thereof;  
FIG. 4 is a right side elevational view thereof;  
FIG. 5 is a left side elevational view thereof;  
FIG. 6 is a top plan view thereof; and,  
FIG. 7 is a bottom plan view thereof.  
Broken lines in figures are for illustrative purposes only and form no part of the design.

**1 Claim, 4 Drawing Sheets**



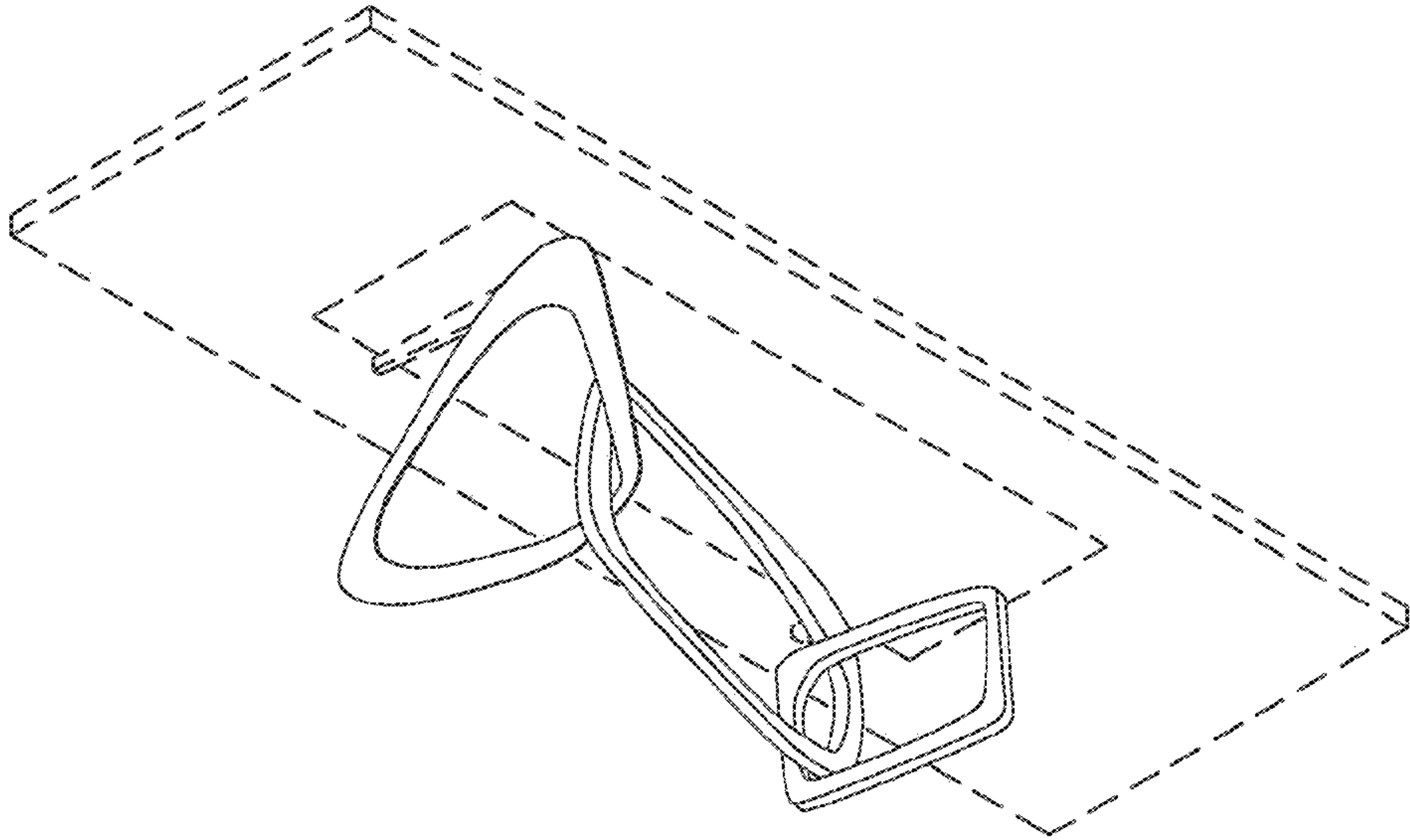


Fig. 1

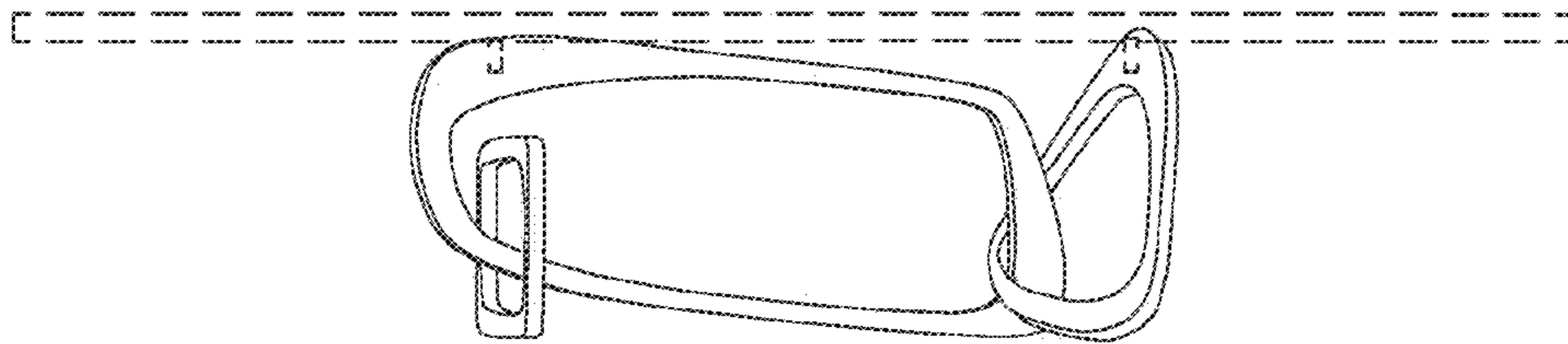


Fig. 2



Fig. 3

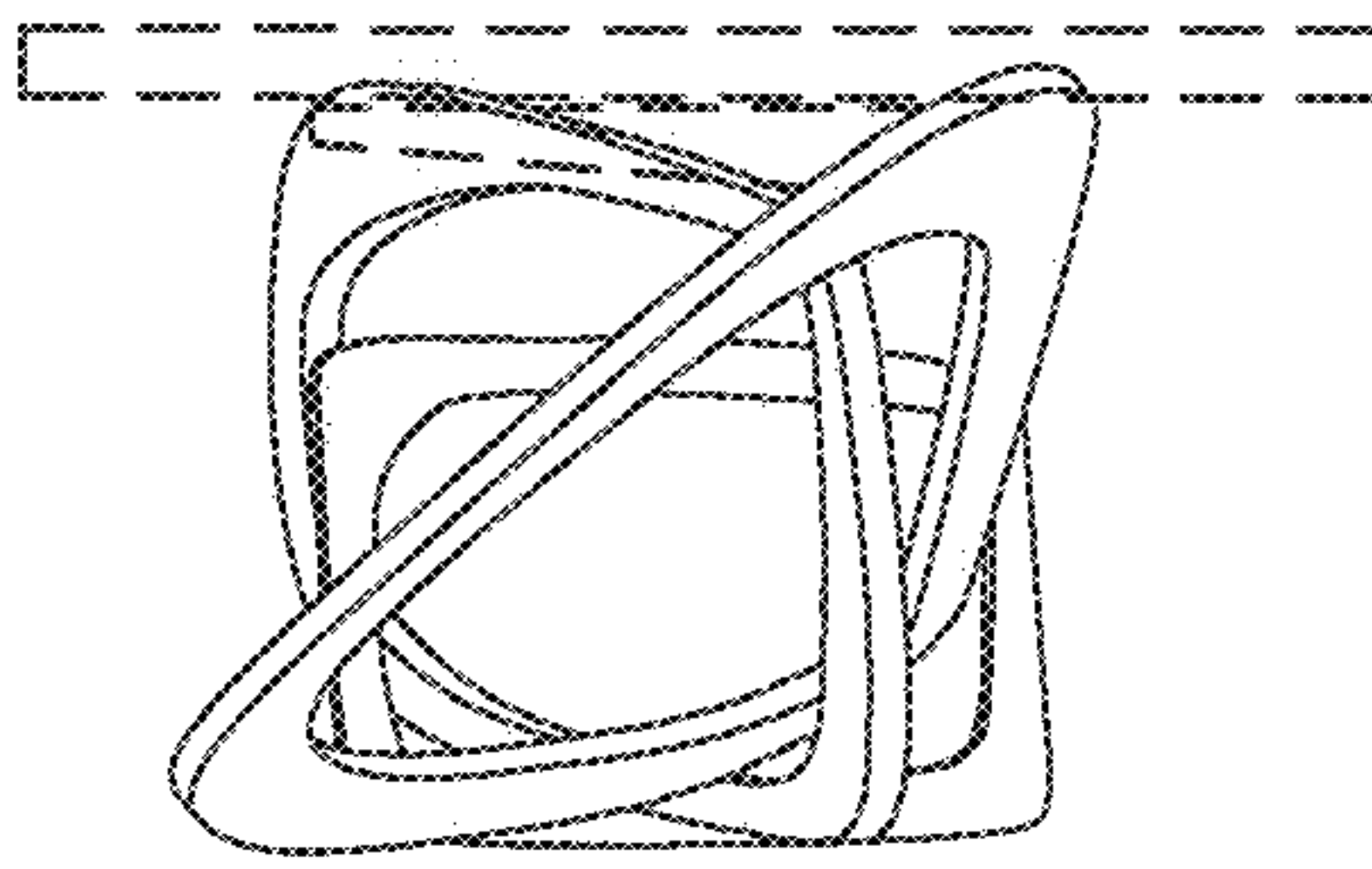


Fig. 4

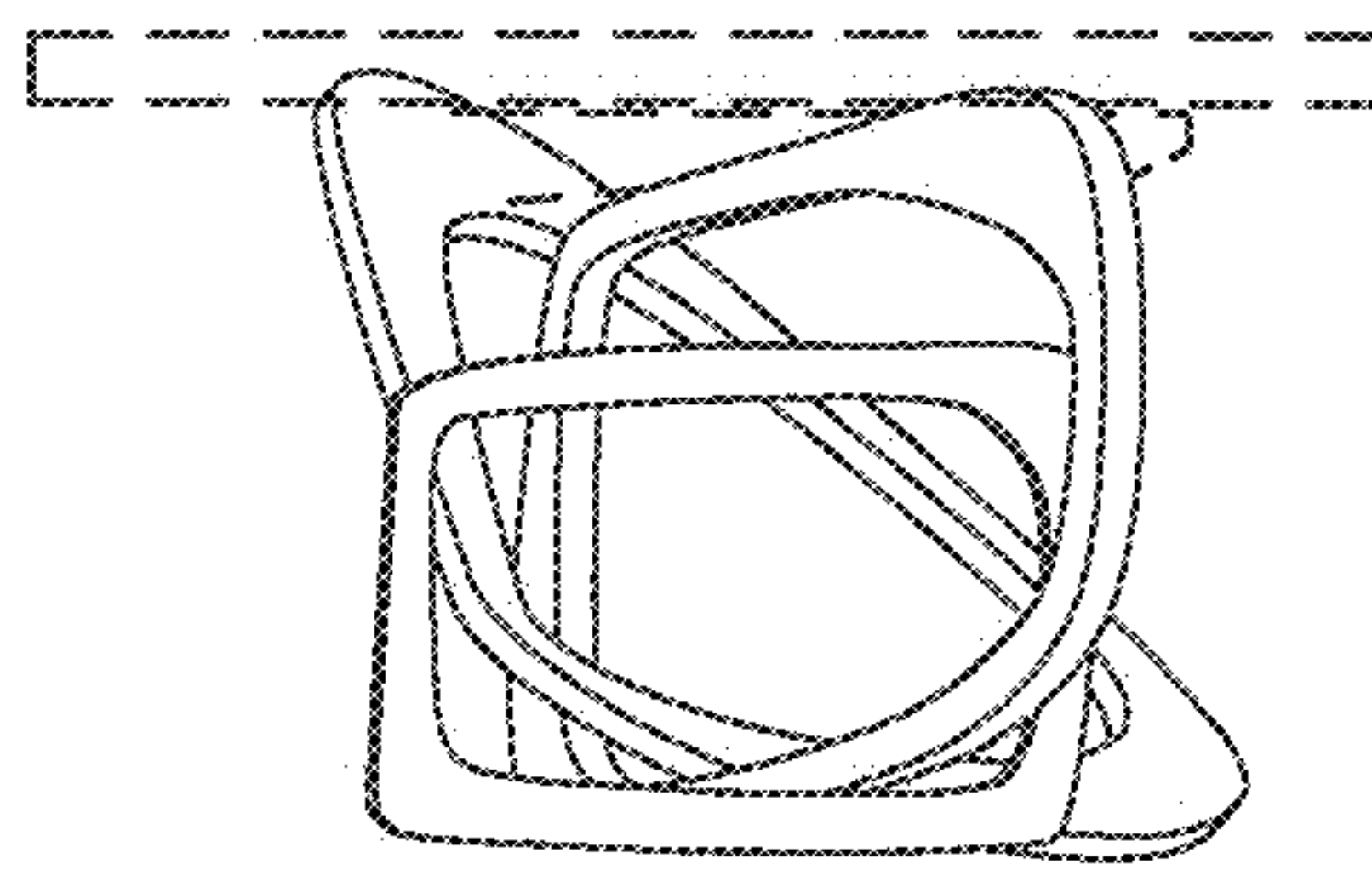


Fig. 5

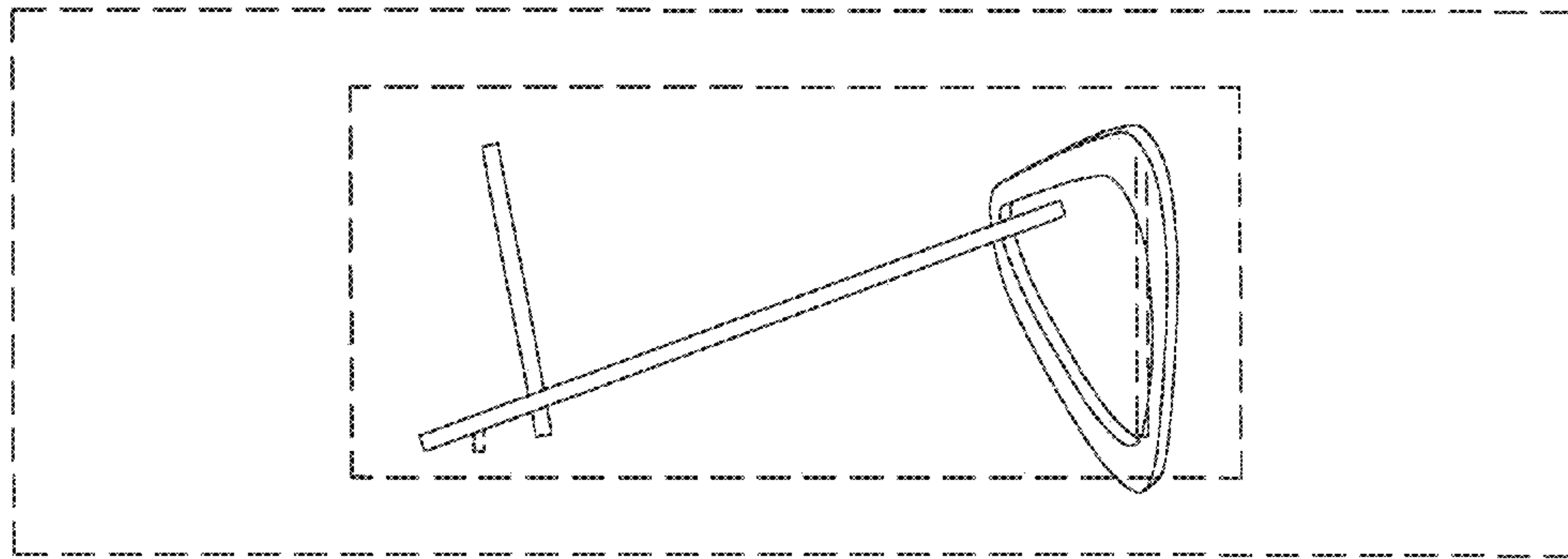


Fig. 6

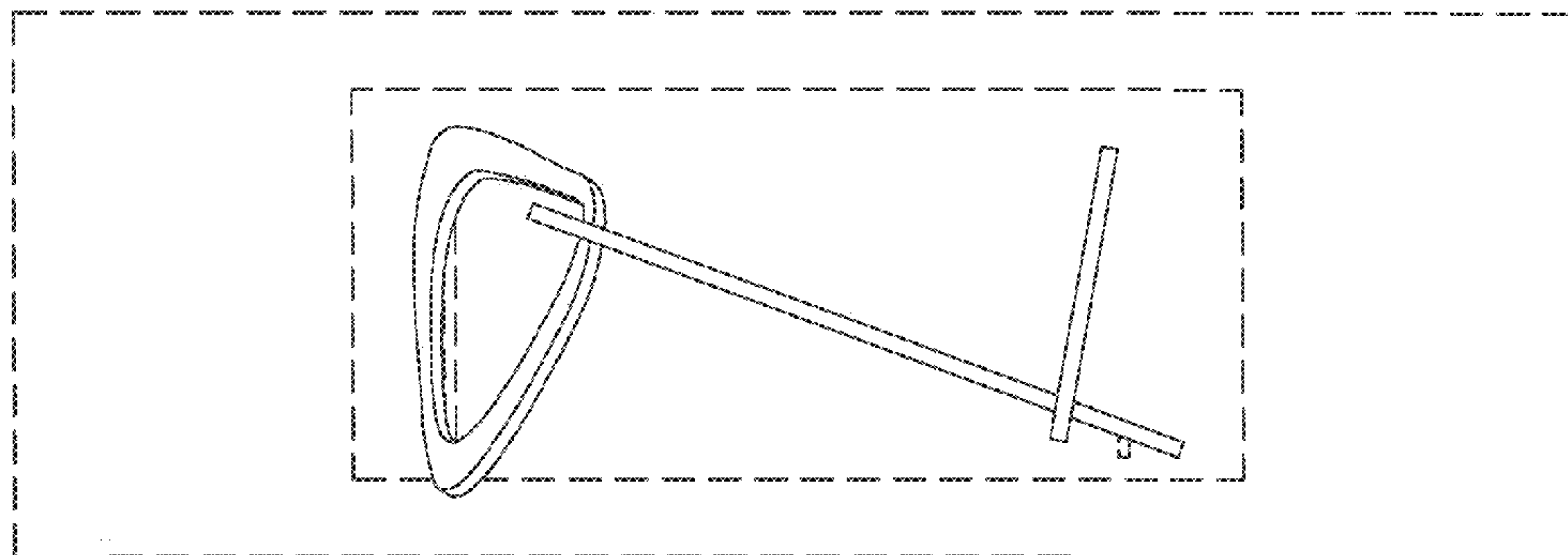


Fig. 7