



US00D693159S

(12) **United States Design Patent**
Lidwell et al.

(10) **Patent No.:** **US D693,159 S**

(45) **Date of Patent:** **** Nov. 12, 2013**

(54) **COFFEE TABLE**

D450,950 S * 11/2001 Leideritz D6/480
D461,973 S 8/2002 Wilson
D612,170 S 3/2010 Hilder

(76) Inventors: **William Lidwell**, Houston, TX (US);
Jared Thorn, Houston, TX (US)

* cited by examiner

(**) Term: **14 Years**

Primary Examiner — Janice Seeger

(21) Appl. No.: **29/427,853**

(74) *Attorney, Agent, or Firm* — QuickPatents; Kevin Prince

(22) Filed: **Jul. 23, 2012**

(57) **CLAIM**

(51) **LOC (9) Cl.** **06-03**

We claim the ornamental design for a coffee table, as shown and described.

(52) **U.S. Cl.**

USPC **D6/688**; D34/23; D21/425

DESCRIPTION

(58) **Field of Classification Search**

USPC D6/686, 688, 688.1, 691, 691.8, 691.9,
D6/708, 708.1, 674; D21/425; D34/17, 23

See application file for complete search history.

(56) **References Cited**

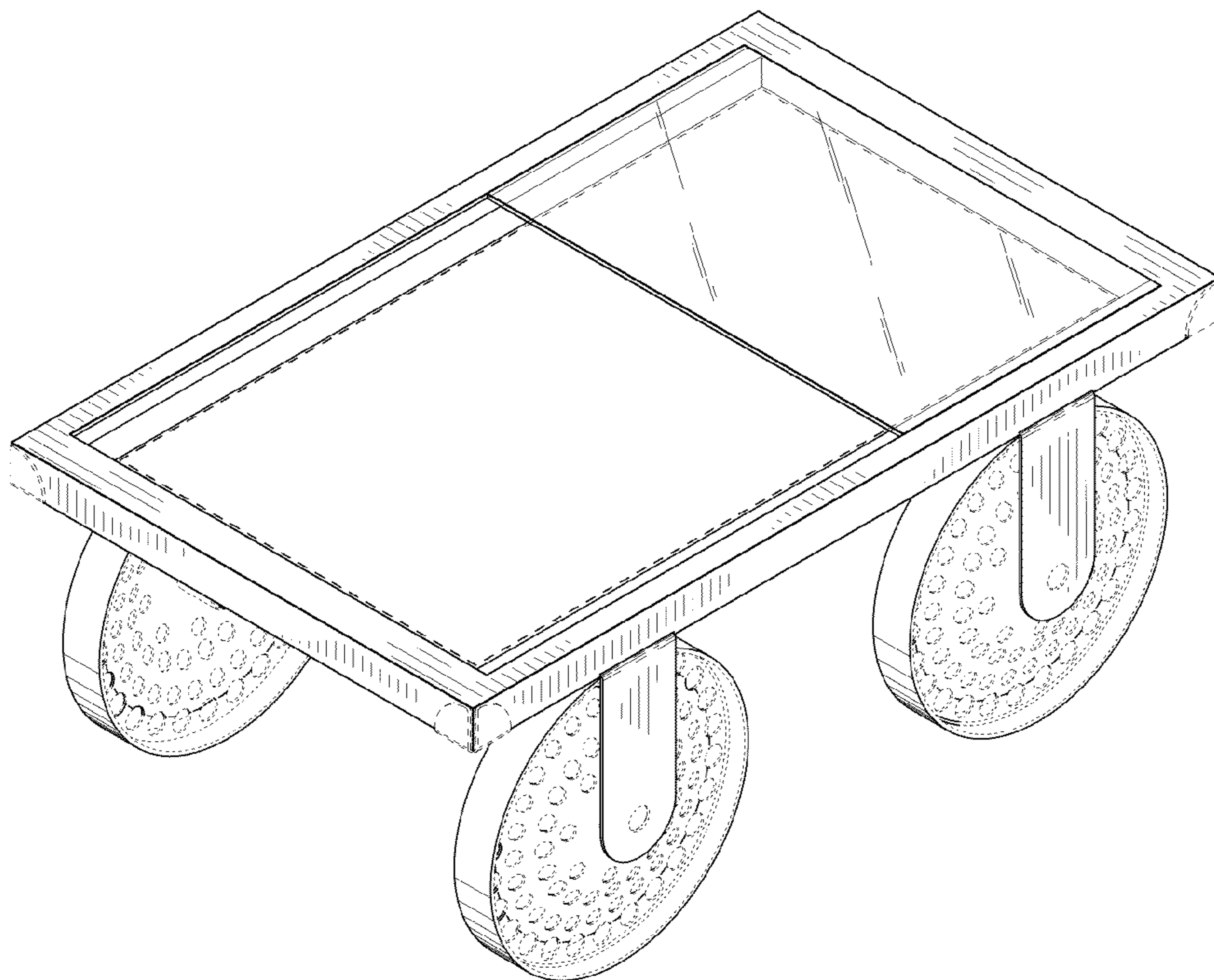
U.S. PATENT DOCUMENTS

2,186,188 A * 1/1940 Allen 446/96
D140,134 S 8/1944 Whitehead
D170,550 S 10/1953 Saenz
D180,016 S * 4/1957 Frick D34/23
D207,263 S 3/1967 Bowers
D215,736 S 10/1969 Delane
D252,720 S 8/1979 Taylor
D307,525 S 5/1990 Smith
D338,573 S 8/1993 Mattikow
D390,047 S 2/1998 Cambra
D410,577 S * 6/1999 Ciphers, Sr. D34/17

FIG. 1 is a top perspective view of a coffee table, showing our new design with a glass cover in a first position;
FIG. 2 is a top perspective view thereof, illustrated with the glass cover in a second position;
FIG. 3 is a bottom perspective view thereof;
FIG. 4 is a left-side elevational view thereof, the right-side elevational view being a mirror image thereof;
FIG. 5 is a front elevational view thereof, the rear elevational view being a mirror image thereof;
FIG. 6 is a top plan view of FIG. 1; and,
FIG. 7 is a bottom plan view thereof.

The broken lines showing a display area in FIGS. 1, 2 and 6 and wheel apertures in FIGS. 1-4, and corner protectors in the figures depict environmental matter and form no part of the claimed design.

1 Claim, 4 Drawing Sheets



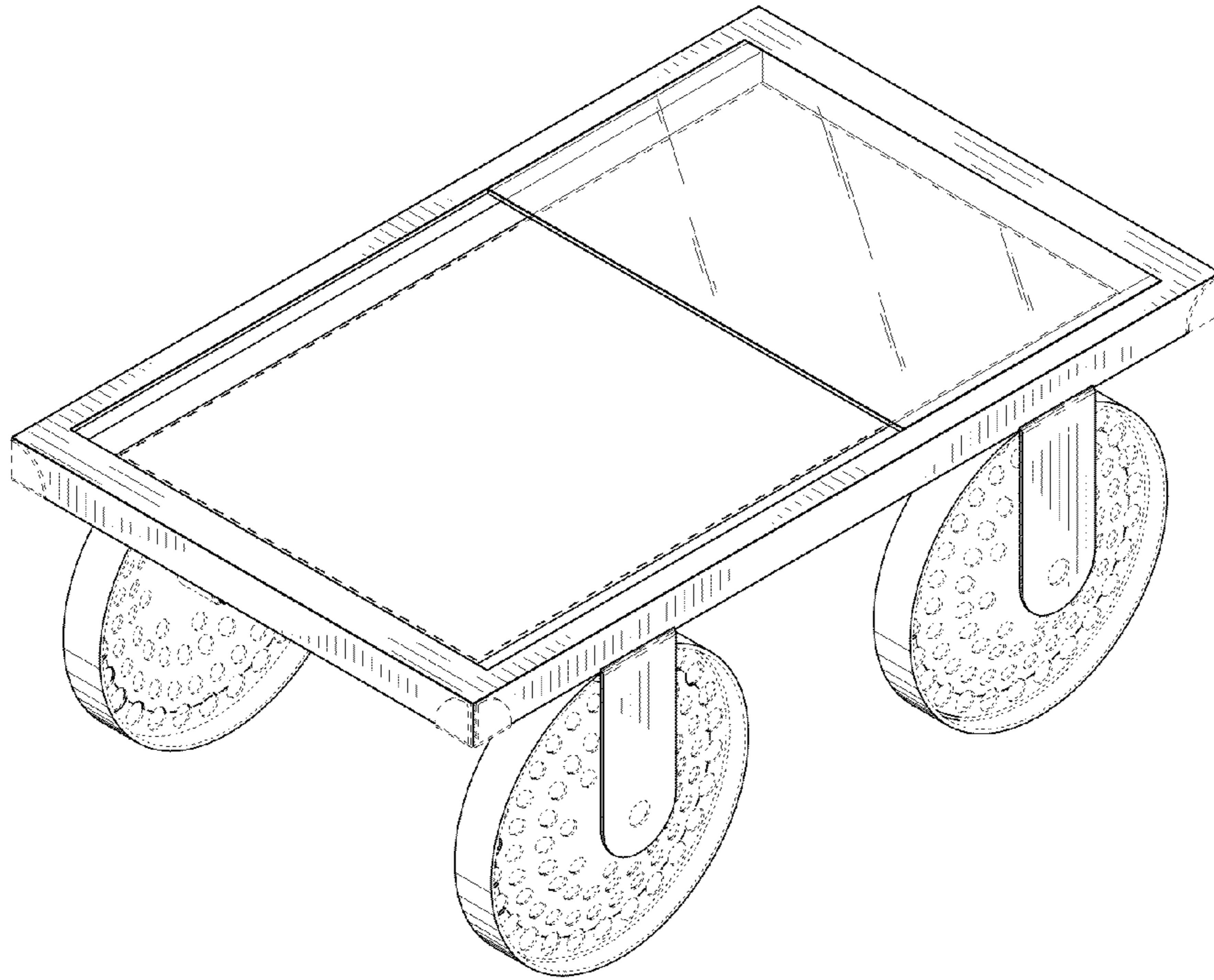


FIG. 1

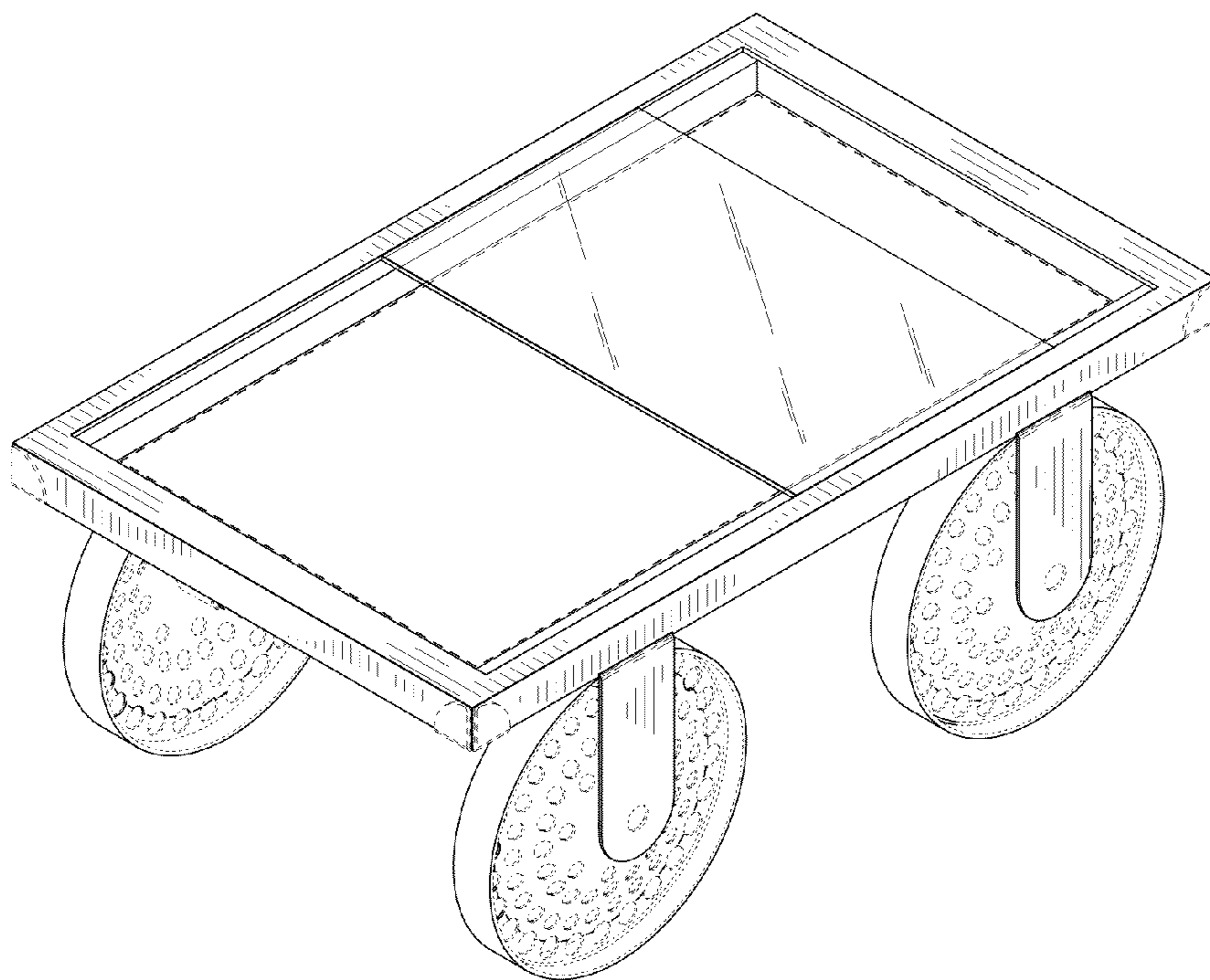


FIG. 2

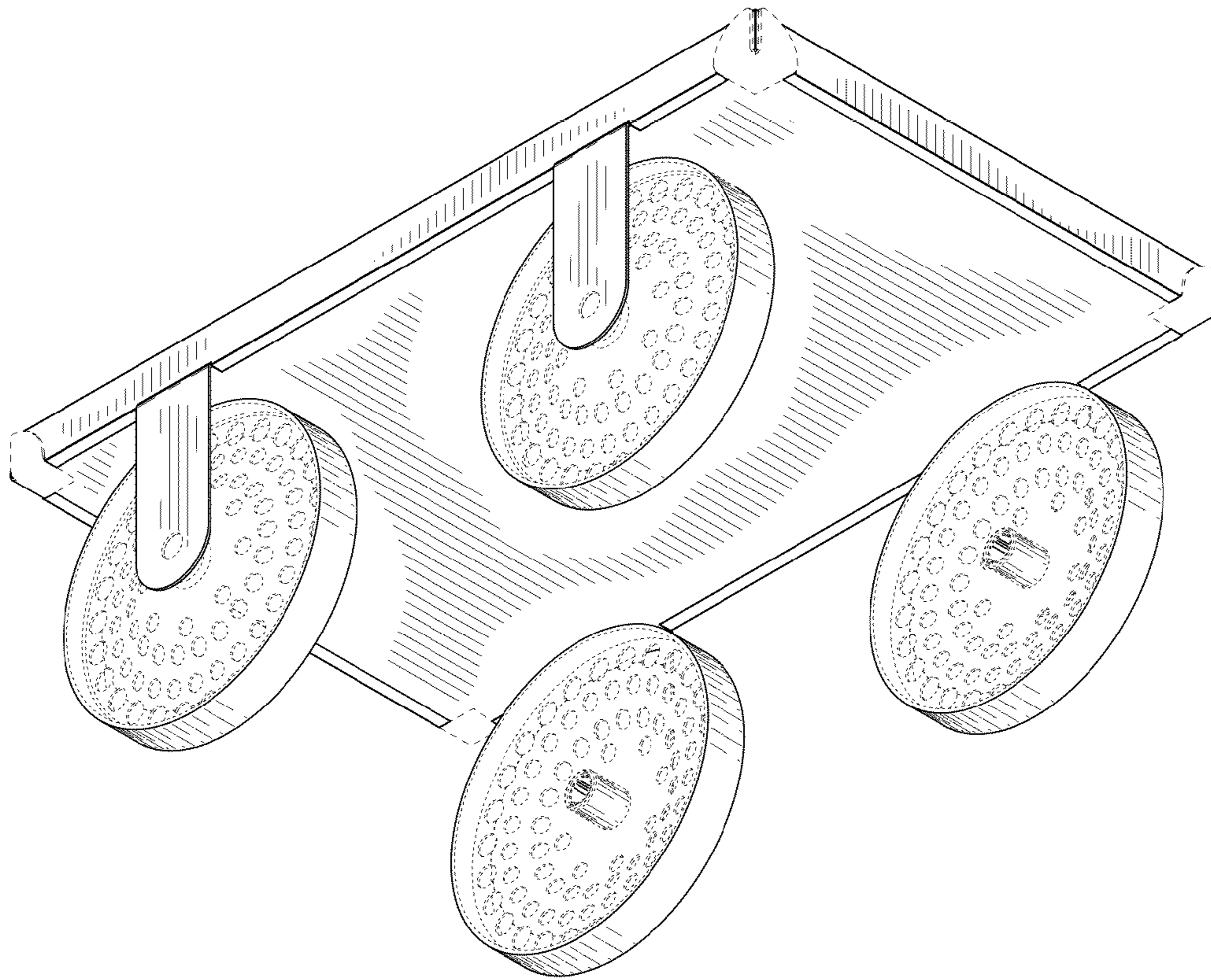


FIG. 3

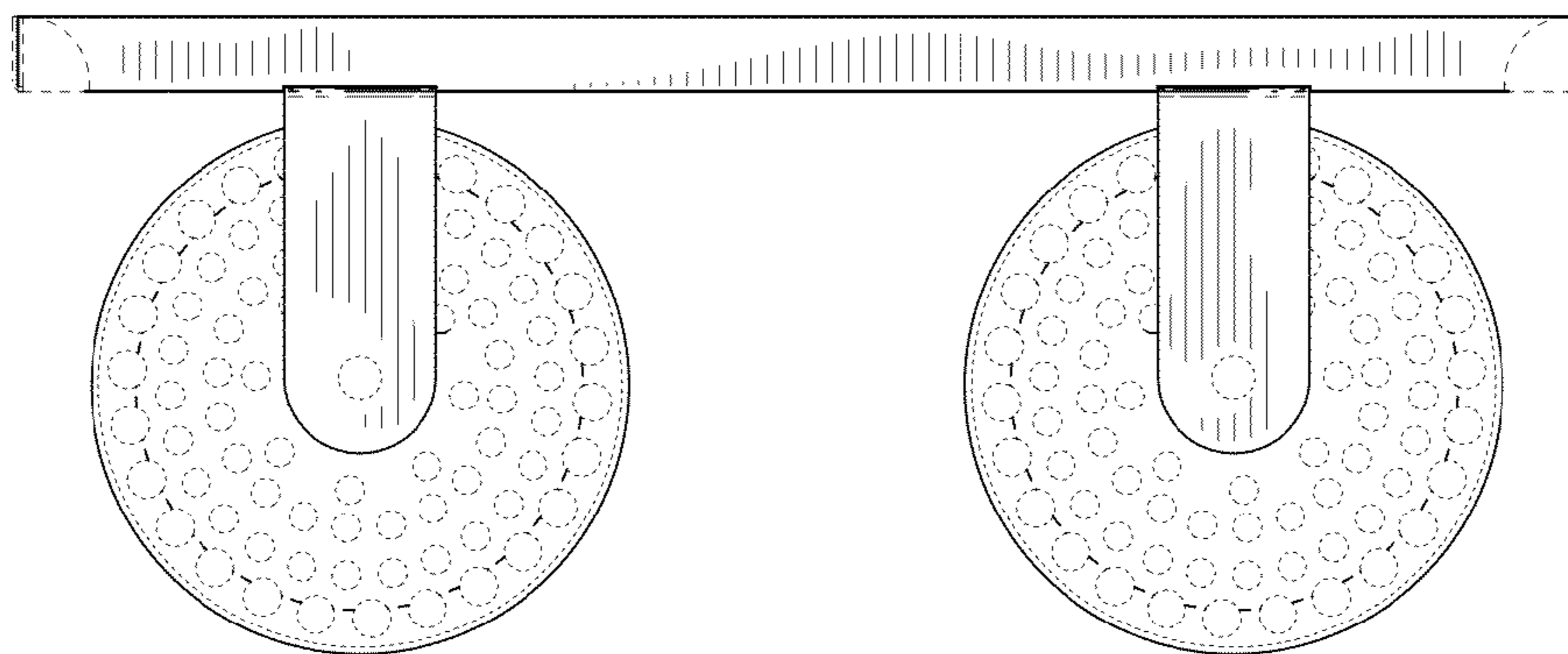


FIG. 4

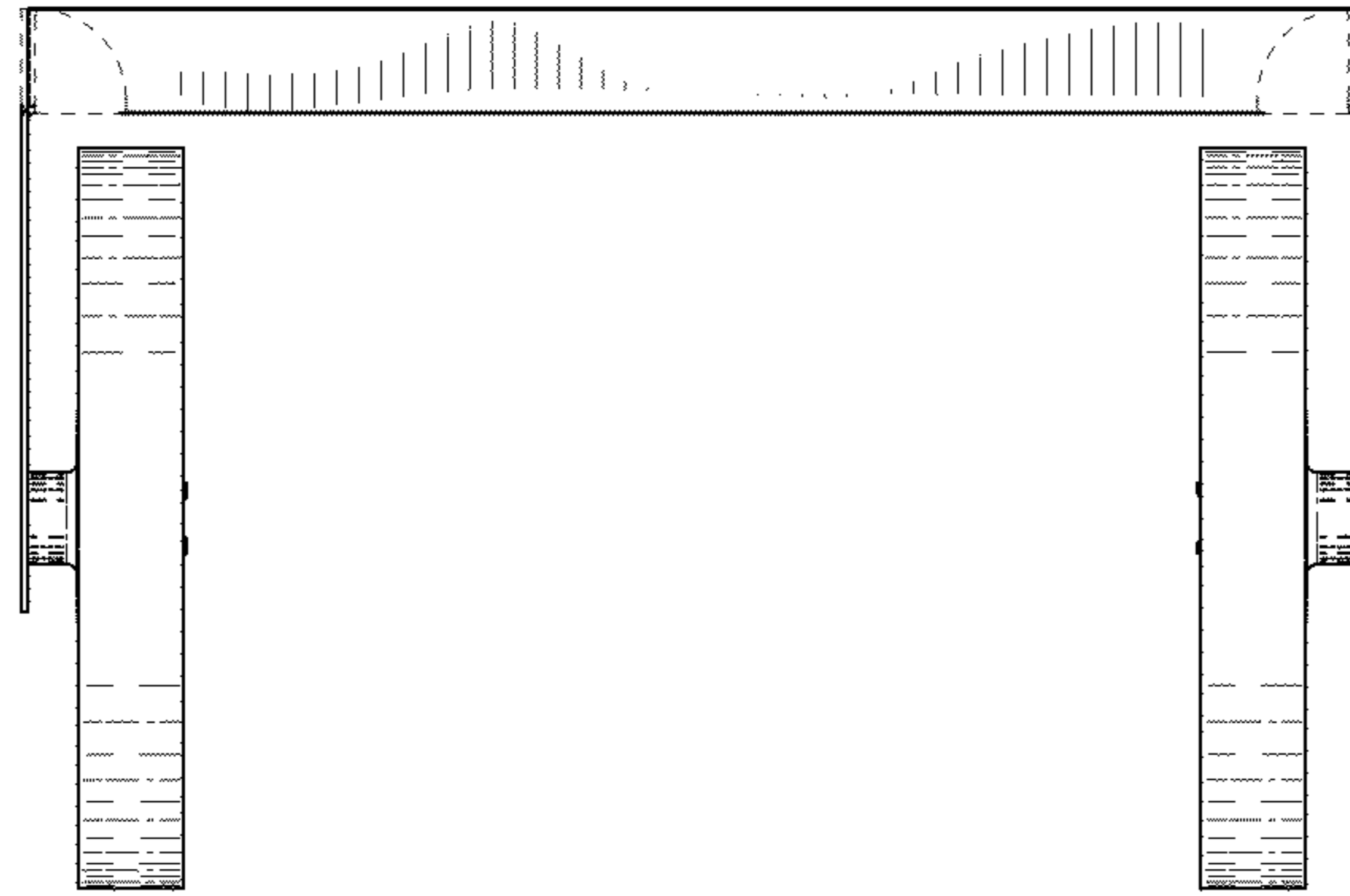


FIG. 5

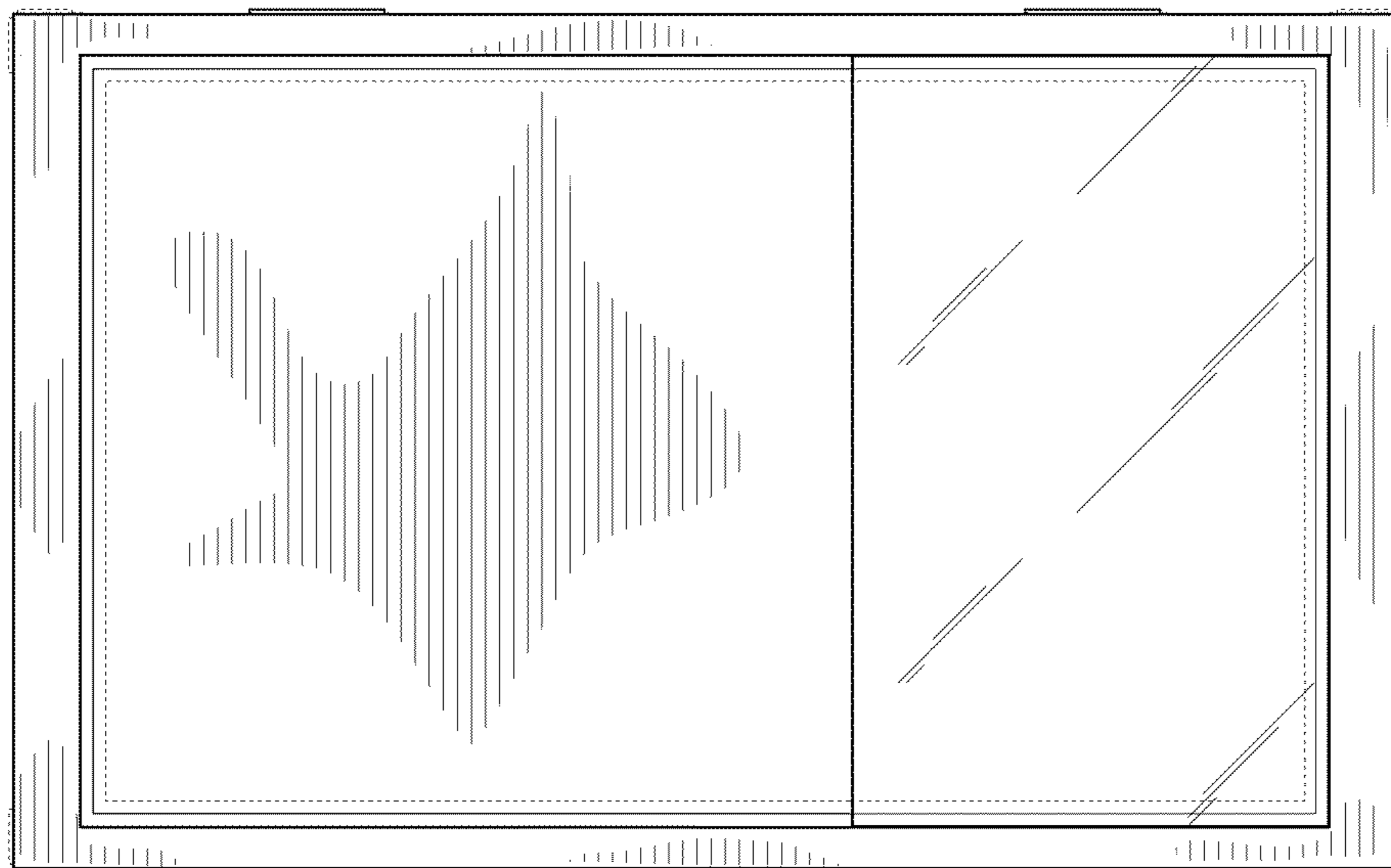


FIG. 6

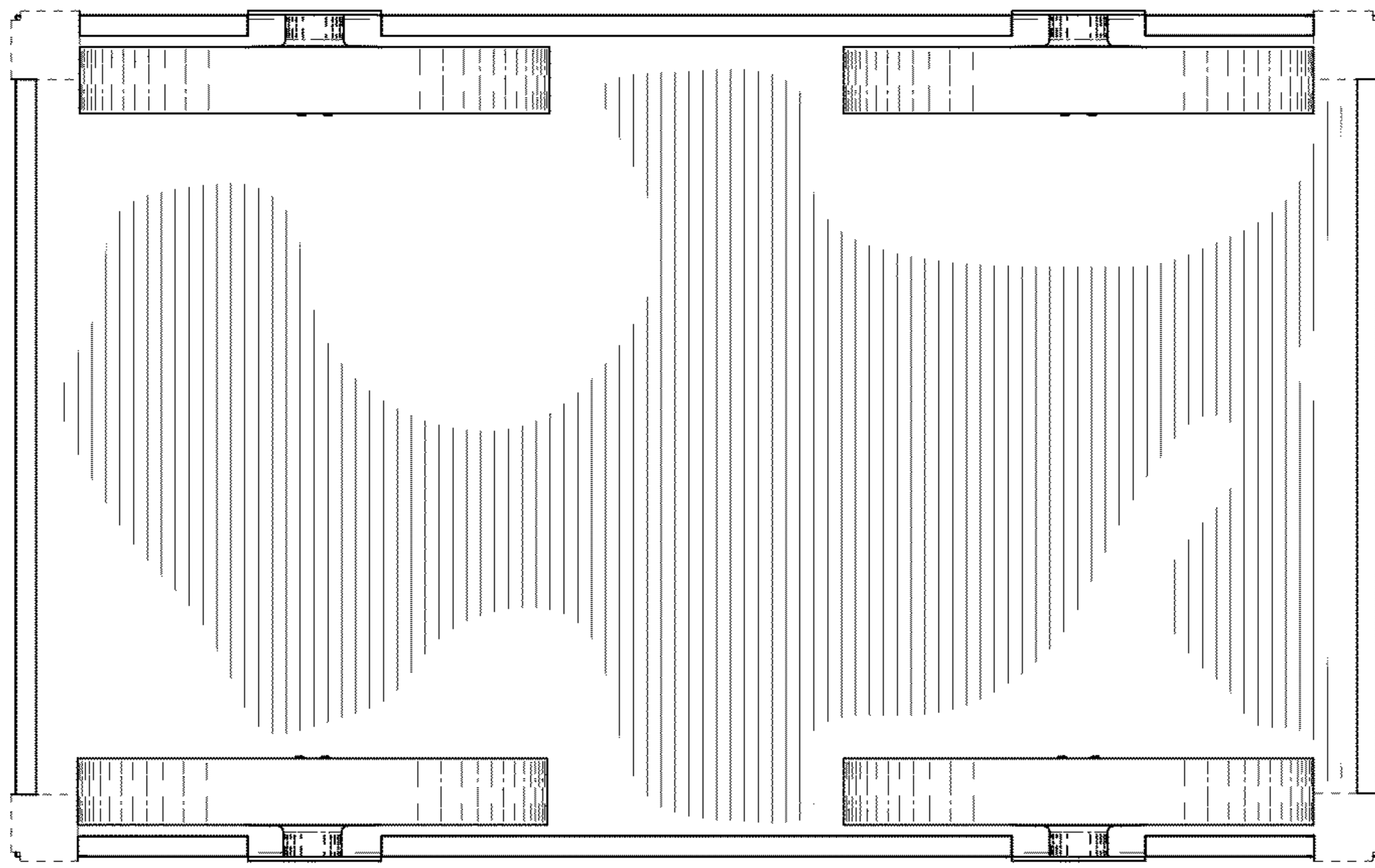


FIG. 7