

US00D693158S

(12) **United States Design Patent**  
**Jung et al.**

(10) **Patent No.:** **US D693,158 S**

(45) **Date of Patent:** **\*\* Nov. 12, 2013**

(54) **STAND FOR DISPLAY DEVICE**

(75) Inventors: **Jae-Woon Jung**, Busan (KR); **Na-Dan Kim**, Busan (KR); **Tae-Go Shin**, Busan (KR)

(73) Assignee: **Samsung Display Co., Ltd.**, Yongin-si (KR)

(\*\*) Term: **14 Years**

(21) Appl. No.: **29/419,322**

(22) Filed: **Apr. 26, 2012**

(30) **Foreign Application Priority Data**

Feb. 29, 2012 (KR) ..... 30-2012-0009745

(51) **LOC (9) Cl.** ..... **06-06**

(52) **U.S. Cl.**  
USPC ..... **D6/682.3**

(58) **Field of Classification Search**  
USPC ..... D6/396-397, 449, 466-468, 491-492,  
D6/513-514, 672, 673, 678-678.1, 680.2,  
D6/682.2-682.6; D7/590, 501, 505, 558;  
D11/143-144, 152-156; 211/13, 70.1,  
211/74, 85.23, 128.1

See application file for complete search history.

(56) **References Cited**

**U.S. PATENT DOCUMENTS**

D188,399 S \* 7/1960 Link ..... D6/465  
D256,195 S \* 8/1980 Scalice ..... D6/465  
D259,685 S \* 6/1981 Scalice ..... D6/465

D319,361 S \* 8/1991 Moser ..... D6/468  
D325,136 S \* 4/1992 Lucht ..... D6/465  
D337,466 S \* 7/1993 Moser ..... D6/570  
D524,573 S \* 7/2006 Robinson et al. .... D6/463  
D607,668 S \* 1/2010 Eloy-Sanchez ..... D6/466  
D621,636 S \* 8/2010 Hsu ..... D6/465  
D622,084 S \* 8/2010 Stukenberg et al. .... D6/467  
D643,648 S \* 8/2011 Eason ..... D6/466  
D651,025 S \* 12/2011 Roth et al. .... D6/474  
D654,727 S \* 2/2012 Shea ..... D6/469  
2007/0251898 A1 \* 11/2007 Aarts ..... 211/57.1

\* cited by examiner

*Primary Examiner* — Kelley Donnelly

(74) *Attorney, Agent, or Firm* — Christie, Parker & Hale, LLP

(57) **CLAIM**

The ornamental design for a stand for display device, as shown and described.

**DESCRIPTION**

FIG. 1 is a front perspective view of a stand for display device showing our new design;  
FIG. 2 is a front elevational view thereof;  
FIG. 3 is a rear elevational view thereof;  
FIG. 4 is a left side elevational view thereof;  
FIG. 5 is a right side elevational view thereof;  
FIG. 6 is a top plan view thereof;  
FIG. 7 is a bottom plan view thereof; and,  
FIG. 8 is a perspective view of the stand for display device showing our new design in a state in which the stand for display device supports a display device.  
The broken lines in the drawings are for illustrative purpose only and form no part of the claimed design.

**1 Claim, 6 Drawing Sheets**

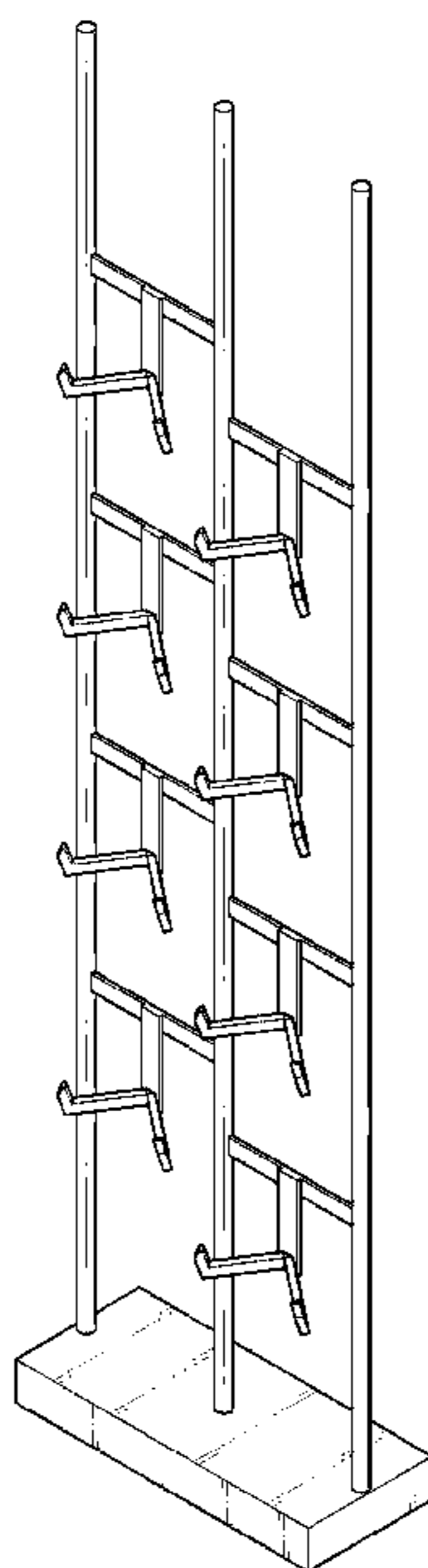


FIG. 1

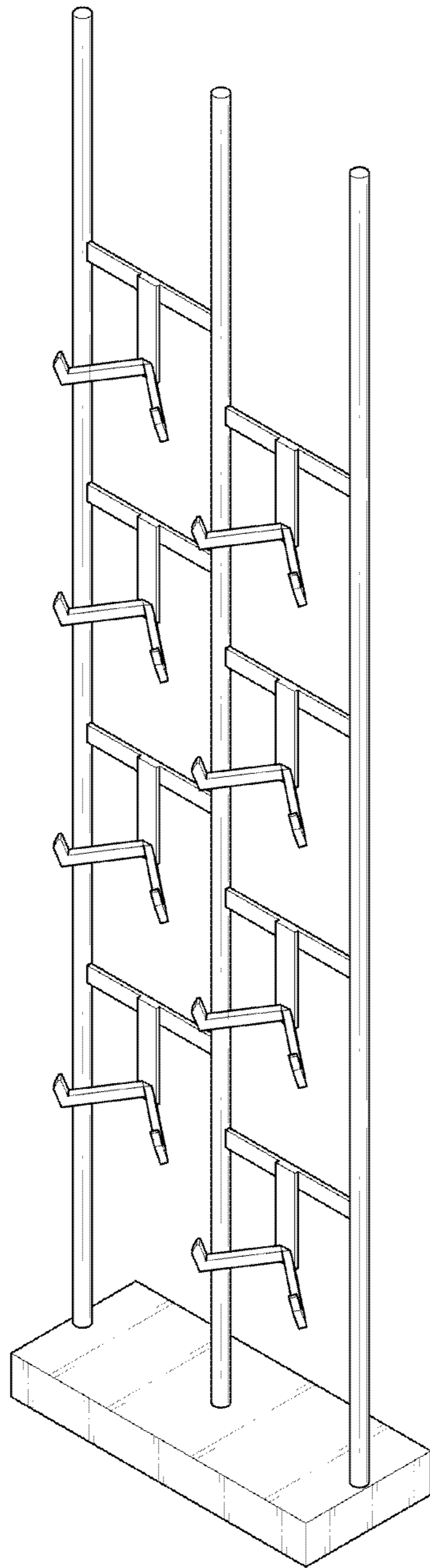


FIG. 2

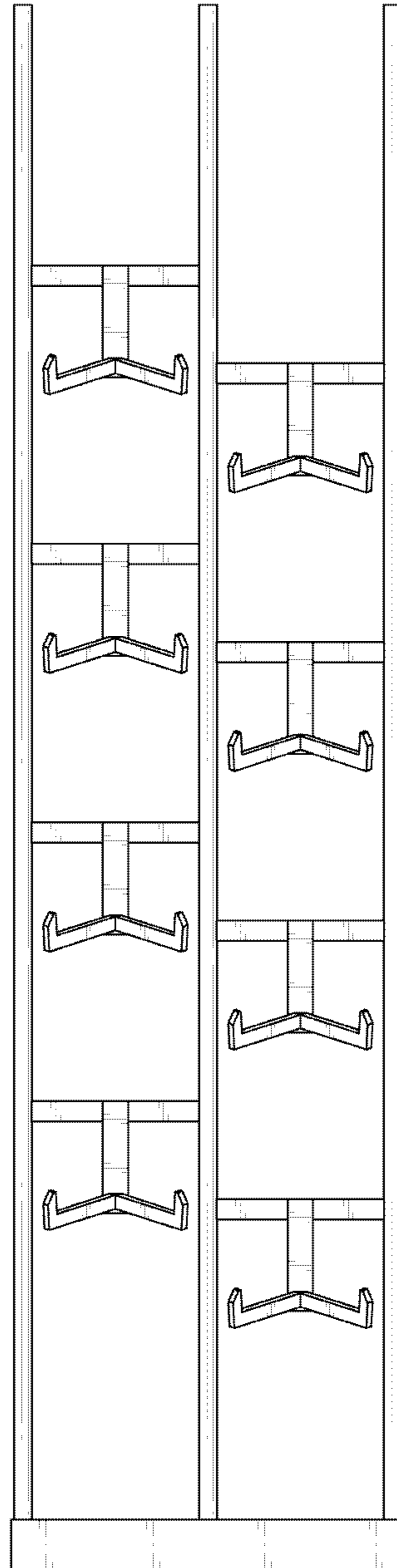


FIG. 3

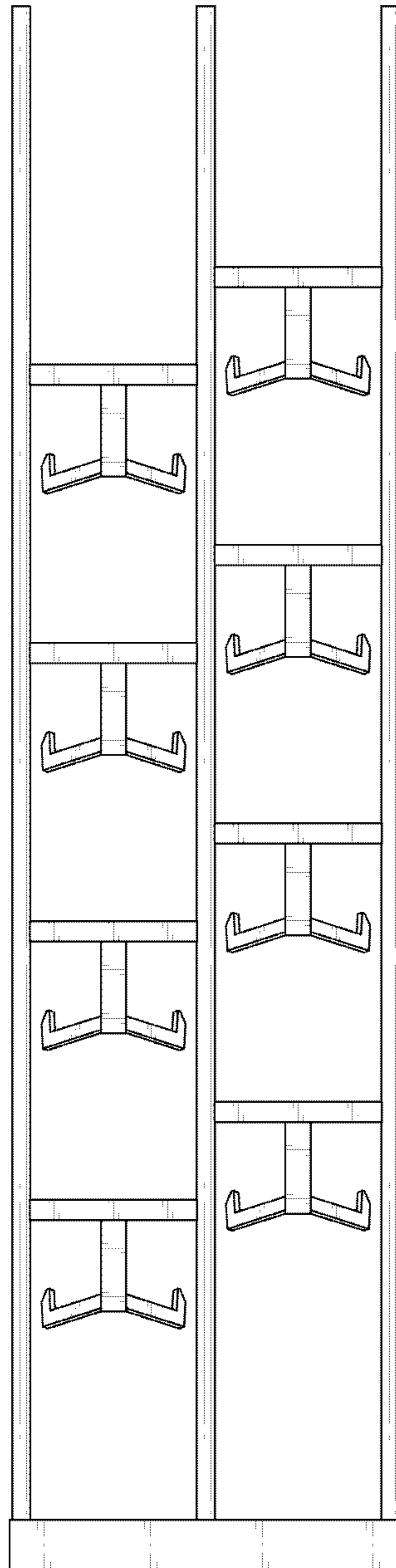


FIG. 4

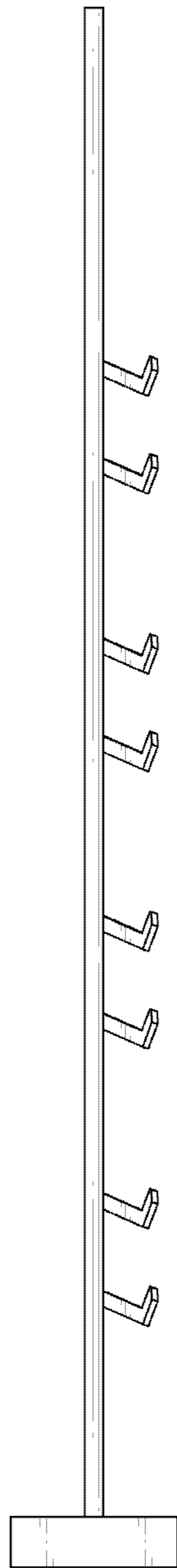


FIG. 5

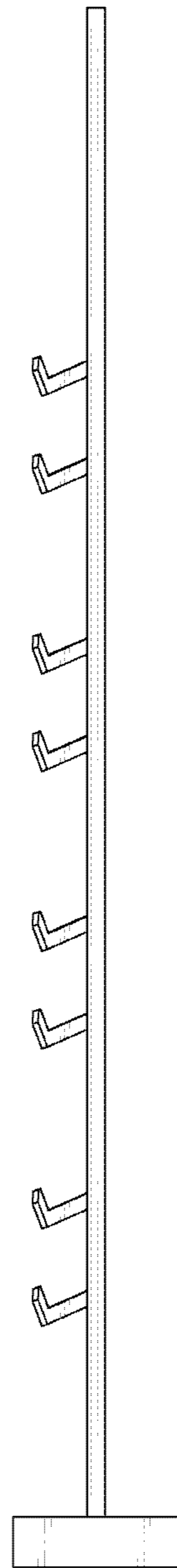


FIG. 6

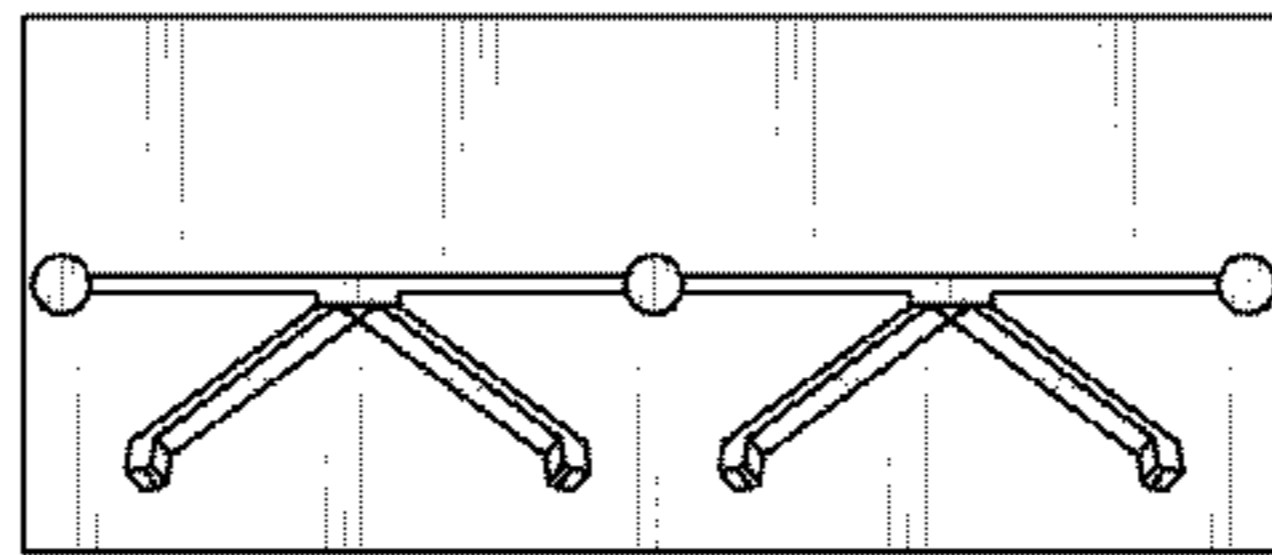


FIG. 7

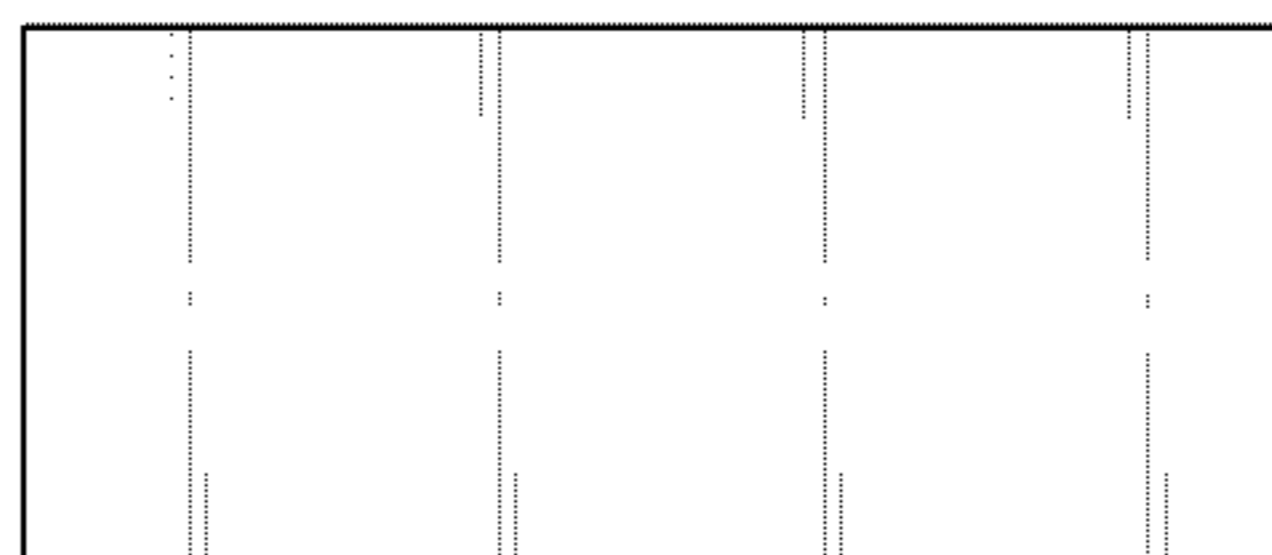


FIG. 8

