



US00D693157S

(12) **United States Design Patent**
Polidoros

(10) **Patent No.:** **US D693,157 S**

(45) **Date of Patent:** **** *Nov. 12, 2013**

(54) **ELEVATION STAND**

FOREIGN PATENT DOCUMENTS

(71) Applicant: **IHS Global Design Pty. Ltd.**, Rowville (AU)

FR	674881	2/1930
GB	2060886	2/1997
JP	55013857	1/1989

(72) Inventor: **Nicholas Polidoros**, Mitcham (AU)

OTHER PUBLICATIONS

(73) Assignee: **IHS Global Design Pty. Ltd.** (AU)

Bloomberry, Rosewood foldable tray table, 1stdibs.com, http://www.1stdibs.com/furniture_item_print.php?id=664172, available at least as early as Nov. 2, 2012.

(*) Notice: This patent is subject to a terminal disclaimer.

Fornasetti Lacquered Tray Table, 1stdibs.com, http://www.1stdibs.com/furniture_item_print.php?id=700614, available at least as early as Nov. 2, 2012.

(**) Term: **14 Years**

(Continued)

(21) Appl. No.: **29/446,674**

Primary Examiner — Janice Seeger

(22) Filed: **Feb. 26, 2013**

(74) *Attorney, Agent, or Firm* — Saidman DesignLaw Group

Related U.S. Application Data

(57) **CLAIM**

(60) Division of application No. 29/424,879, filed on Jun. 16, 2012, which is a continuation of application No. 12/377,096, filed as application No. PCT/AU2007/000589 on May 4, 2007, now abandoned.

The ornamental design for an elevation stand, as shown and described.

(51) **LOC (9) Cl.** **06-06**

DESCRIPTION

(52) **U.S. Cl.**
USPC **D6/681**; D6/708.16

(58) **Field of Classification Search**
USPC D6/480-489, 495-499, 349, 708.16, D6/692.4, 677.5, 680.3, 681, 681.1, 691.6, D6/691.7, 692.5, 711, 711.1; 108/153.1, 108/155, 156, 157.1, 161, 157.16, 157.18; 248/188, 188.1, 188.8, 188.6, 167
See application file for complete search history.

FIG. 1 is a side perspective view of a first embodiment of an elevation stand showing my new design;
FIG. 2 is a top view thereof;
FIG. 3 is a bottom view thereof;
FIG. 4 is a side view thereof, taken along line 4-4 of FIG. 2;
FIG. 5 is a side view thereof, taken along line 5-5 of FIG. 2;
FIG. 6 is a side perspective view of a second embodiment thereof;
FIG. 7 is a top view thereof;
FIG. 8 is a bottom view thereof;
FIG. 9 is a side view thereof, taken along line 9-9 of FIG. 7; and,
FIG. 10 is a side view thereof, taken along line 10-10 of FIG. 7.

(56) **References Cited**

U.S. PATENT DOCUMENTS

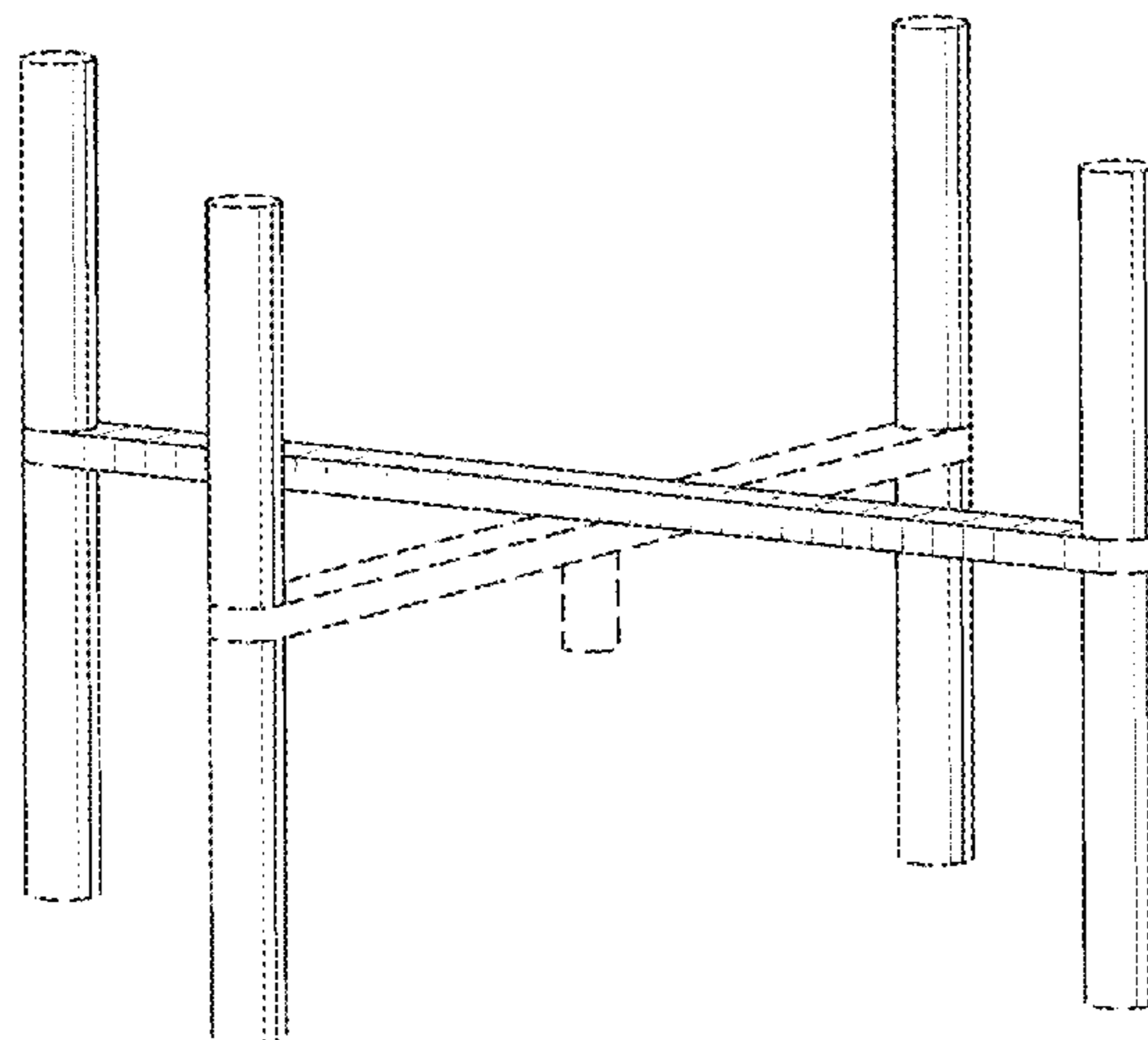
2,010,342 A 8/1935 Woods
2,190,623 A 2/1940 Benson

The broken lines illustrate environmental structure and form no part of the claimed design.

The relatively light shade lines on the surface portions indicate contour and not surface decoration.

(Continued)

1 Claim, 7 Drawing Sheets



(56)

References Cited

OTHER PUBLICATIONS

U.S. PATENT DOCUMENTS

D222,624 S * 11/1971 Gianfagna D6/484
RE30,020 E 6/1979 Spencer et al.
D339,002 S 9/1993 Wong
D413,210 S 8/1999 Haserjian
D461,342 S 8/2002 Spitler
D511,911 S * 11/2005 Light et al. D6/480
D606,337 S 12/2009 Lee
D662,735 S 7/2012 Polidoros
2008/0143166 A1 6/2008 de Oliveira
2010/0147200 A1 6/2010 Polidoros

Mark Frisman, Hans Wegner Occasional Table in Teak, 1stdibs.com, http://www.1stdibs.com/furniture_item_print.php?id=711797, available at least as early as Nov. 2, 2012.
Dual, Nest of Occasional Tables Bertha Schaefer for M. Singer & Sons, 1stdibs.com, http://www.1stdibs.com/furniture_item_print.php?id=330714, available at least as early as Nov. 2, 2012.
G4 Décor, Tole Tray with Stand, 1stdibs.com, http://www.1stdibs.com/furniture_item_print.php?id=499089, available at least as early as Nov. 2.

* cited by examiner

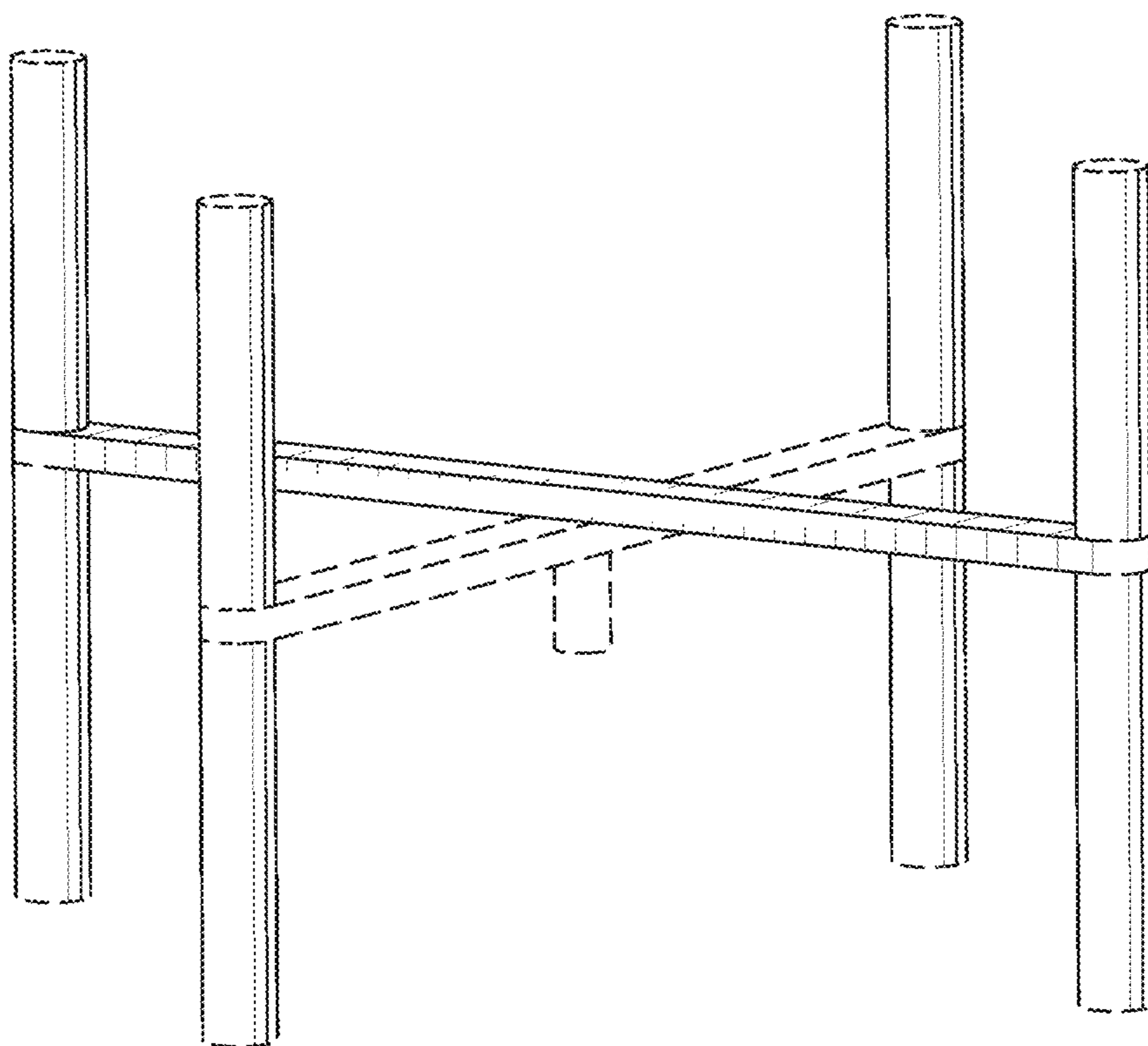


FIG. 1

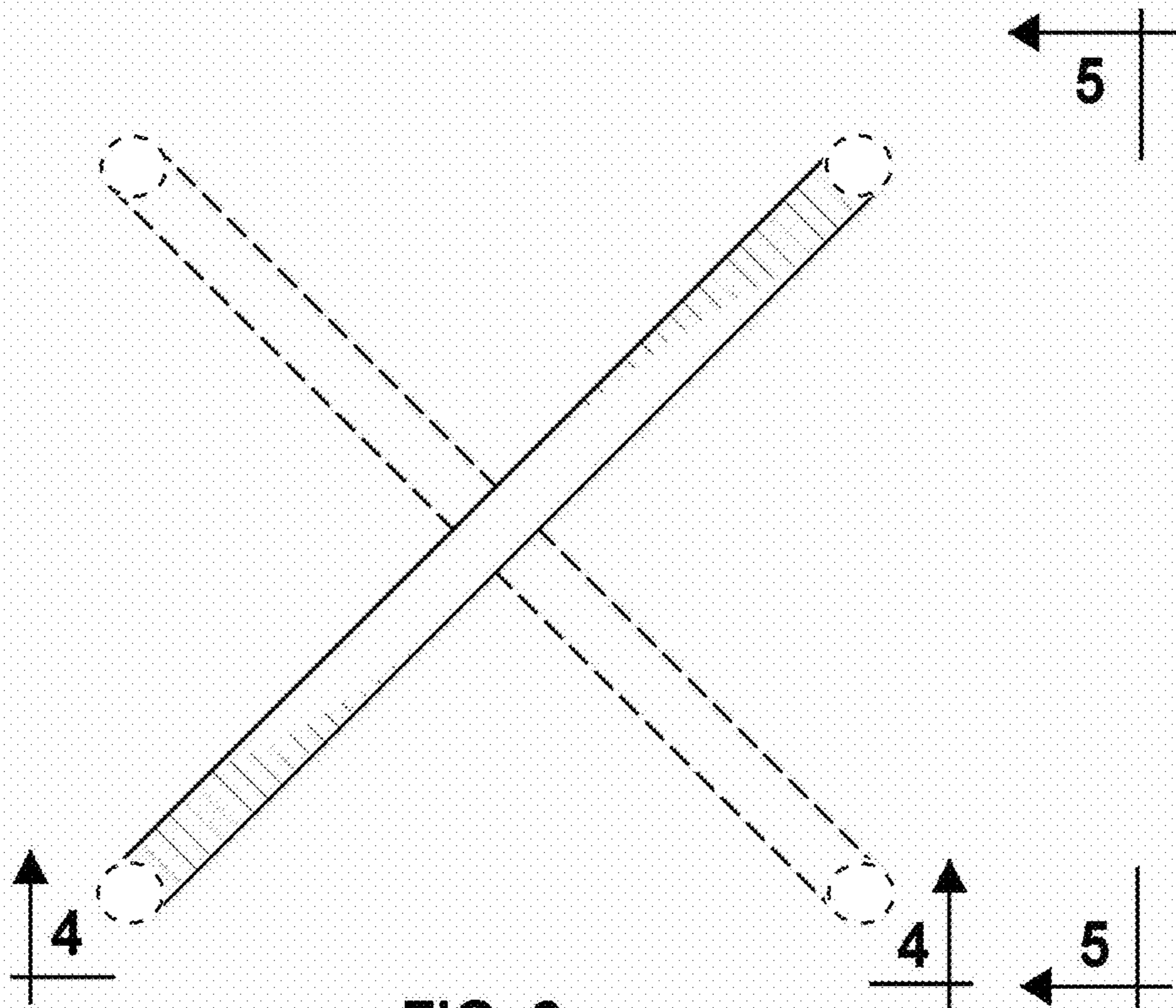


FIG. 2

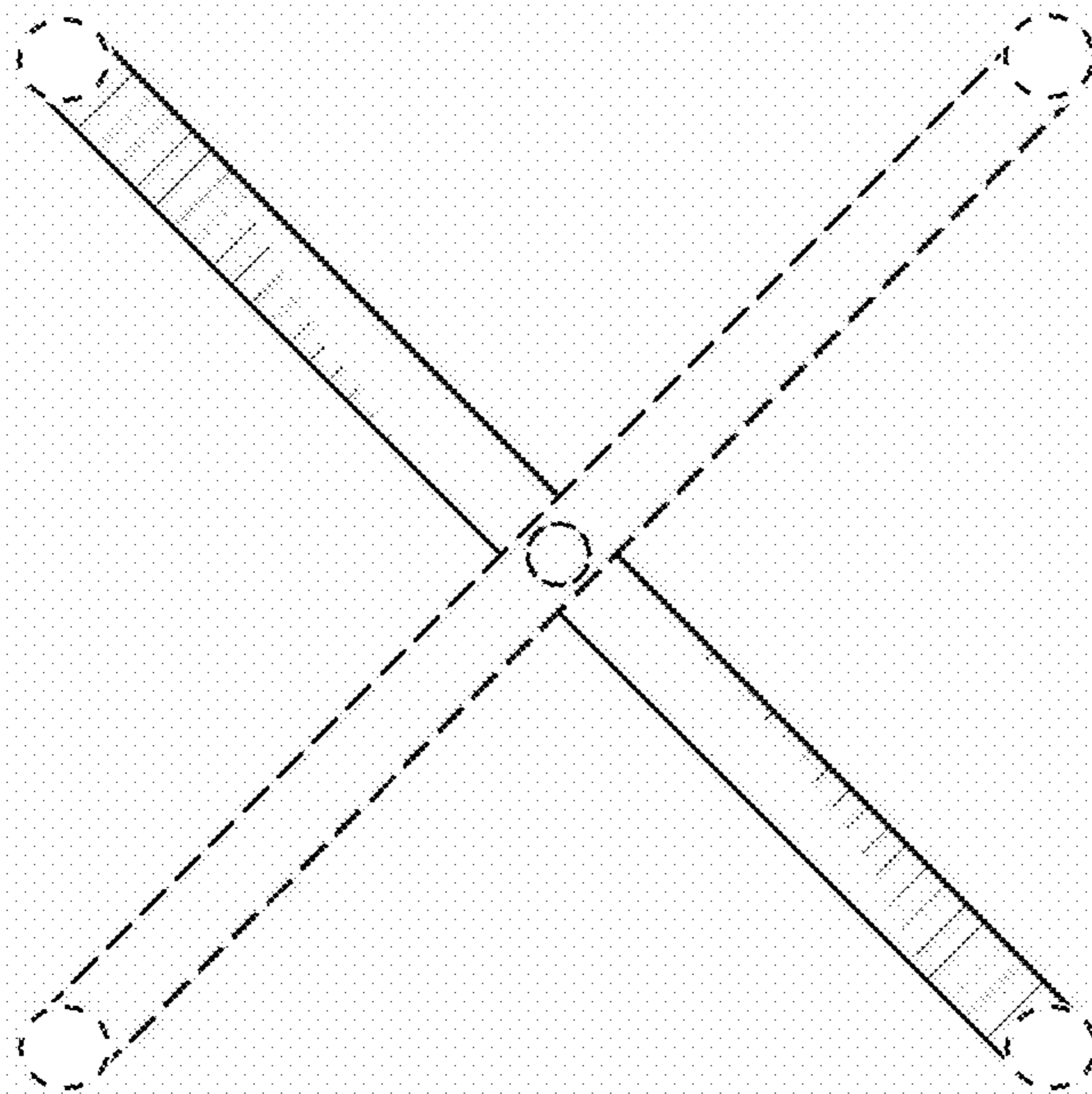


FIG. 3

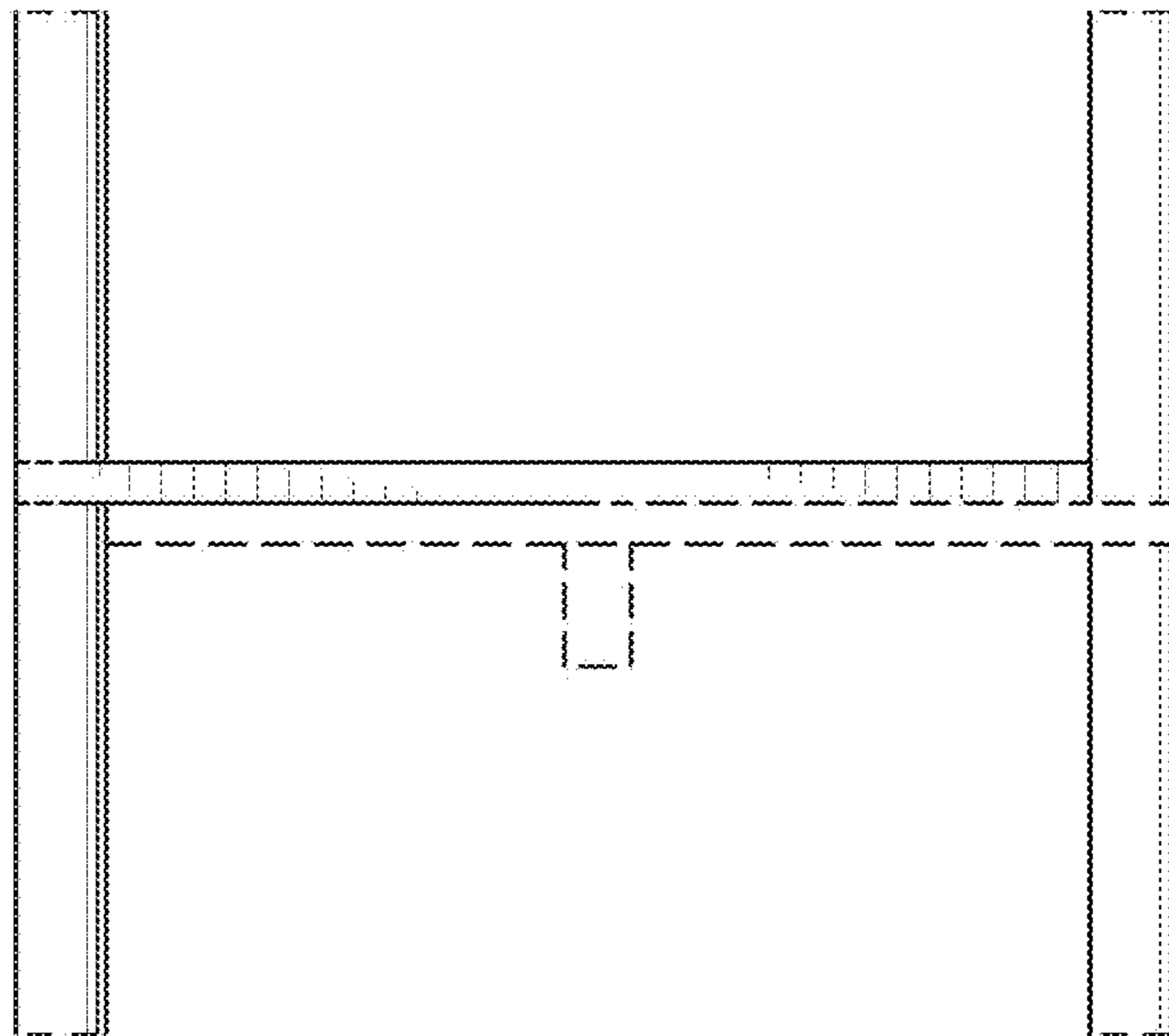


FIG. 4

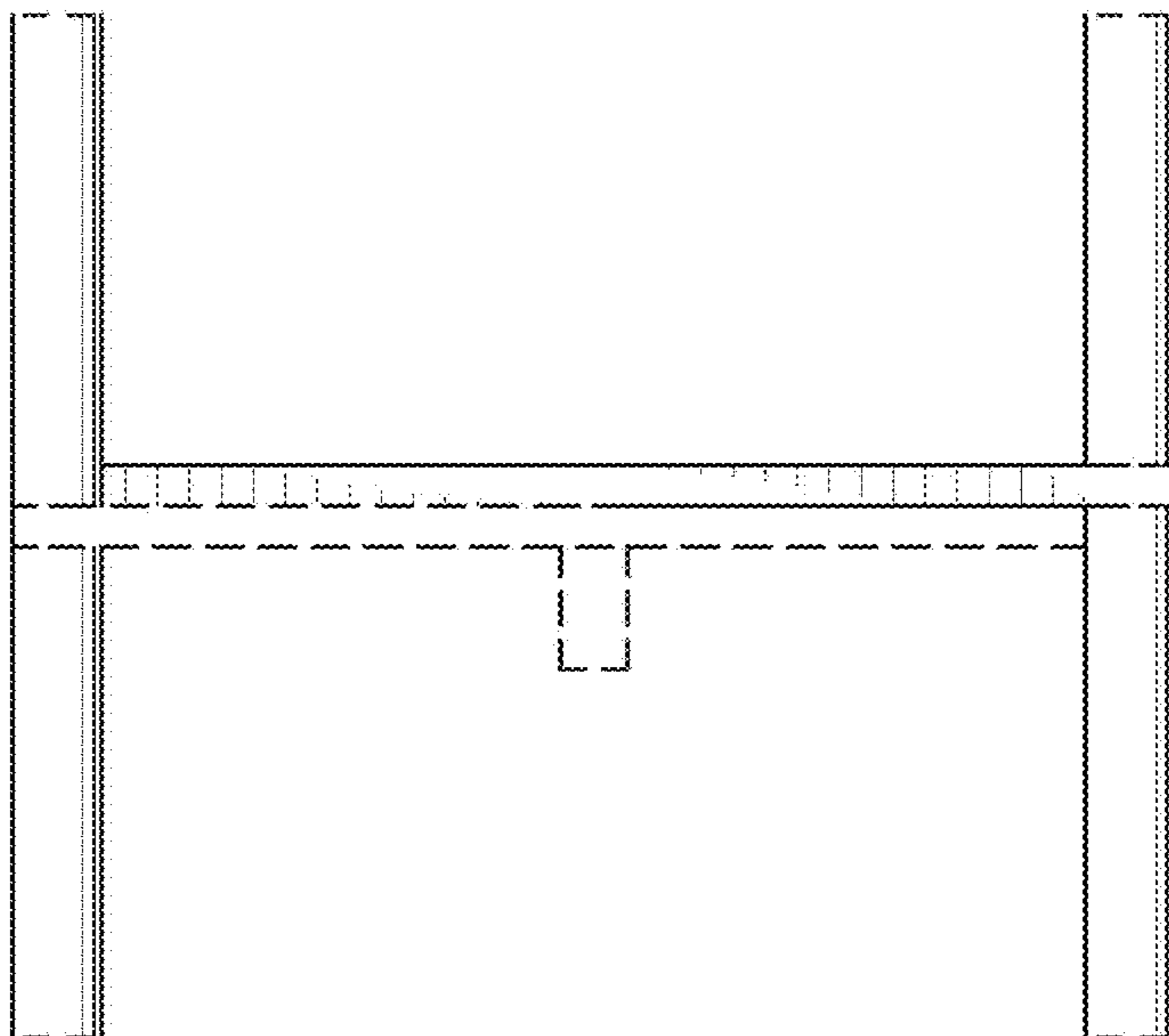


FIG. 5

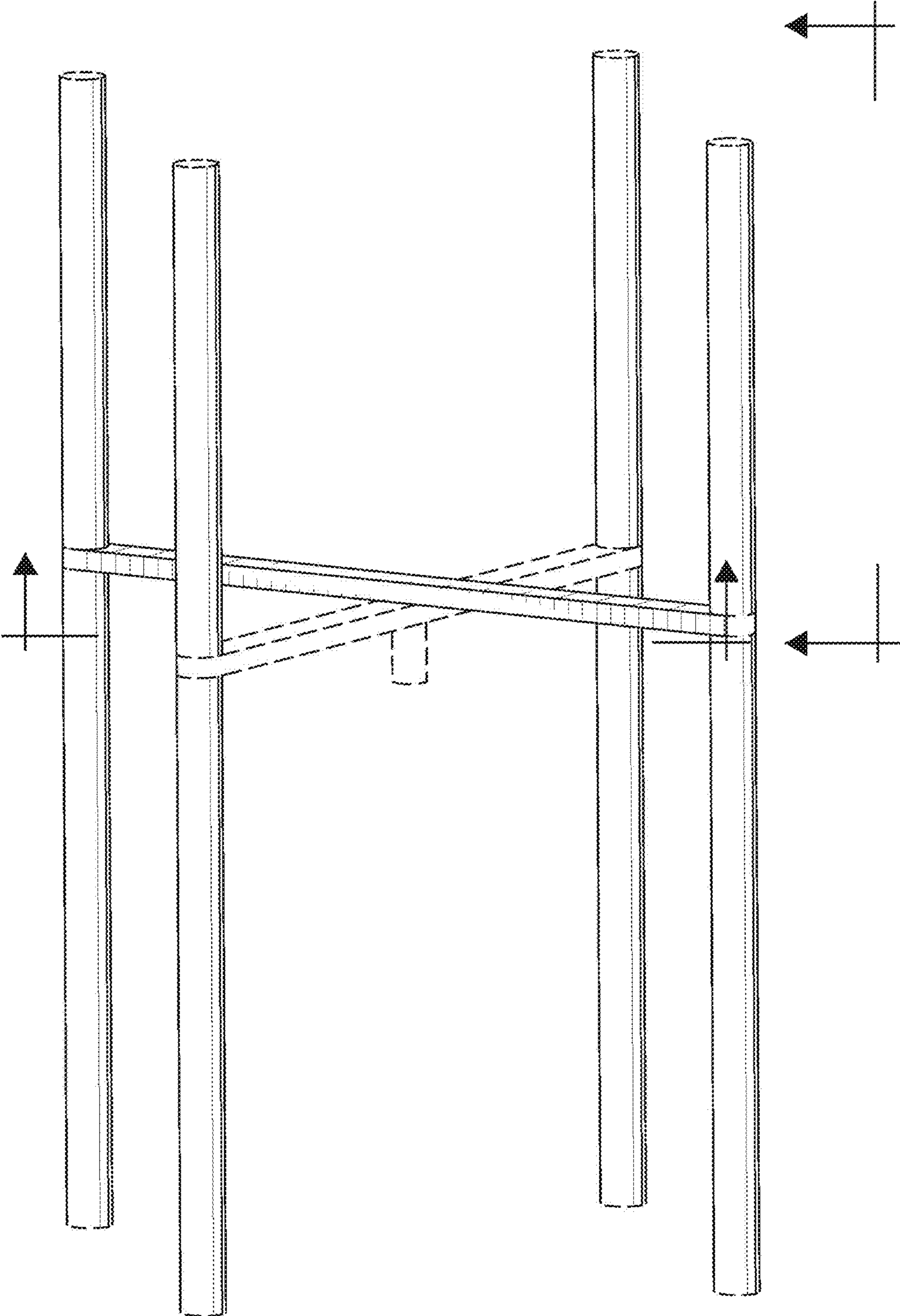
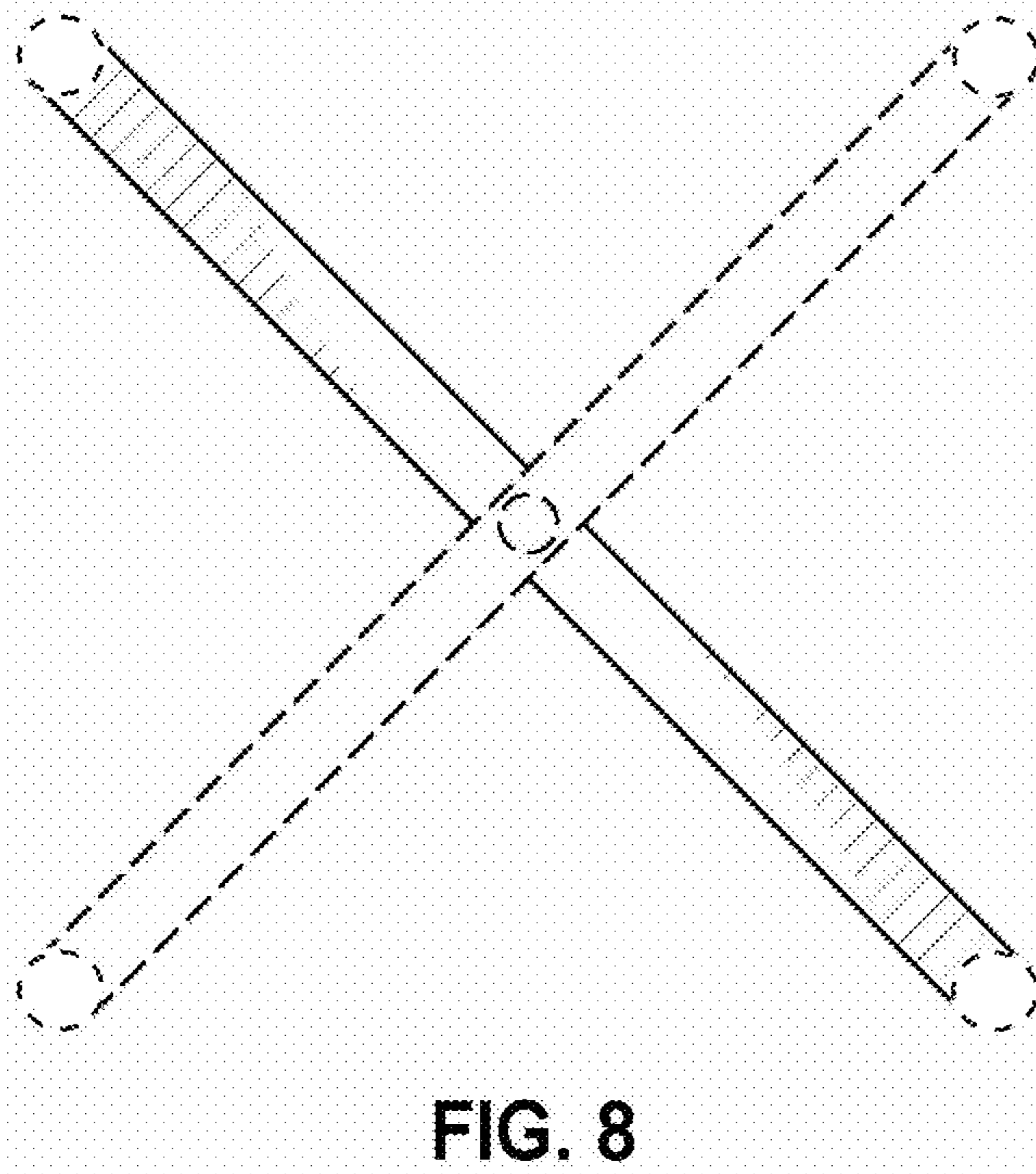
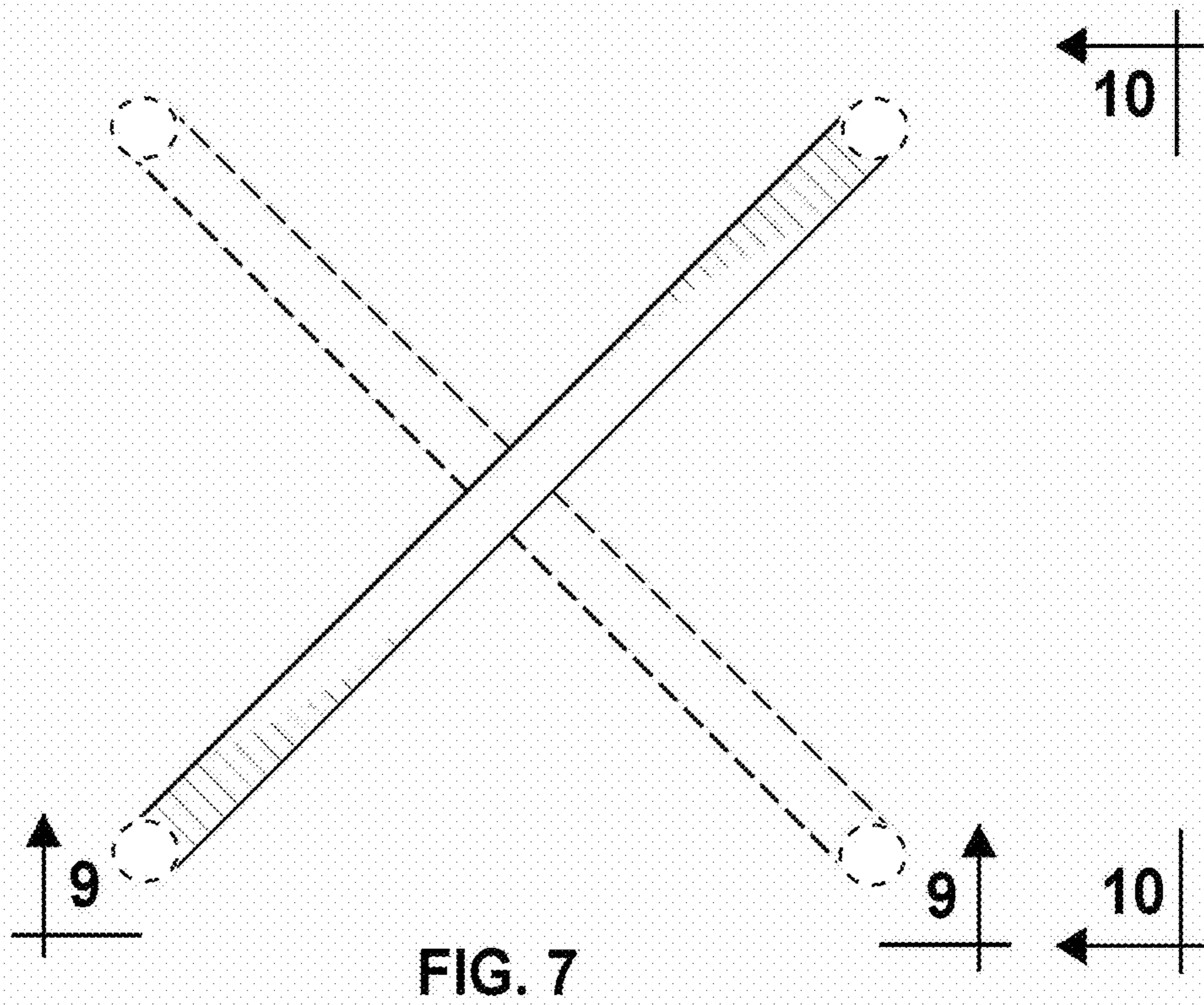


FIG. 6



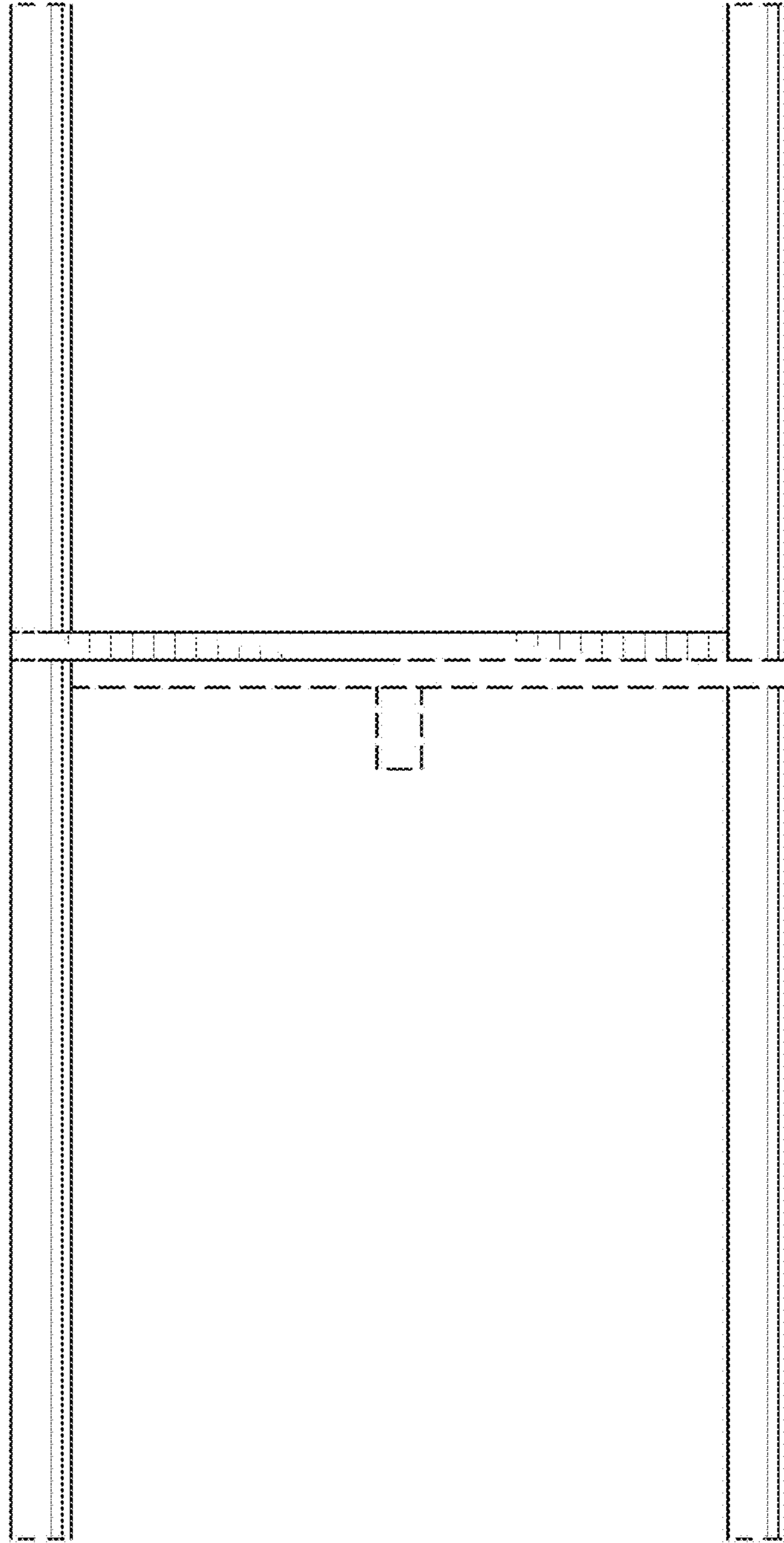


FIG. 9

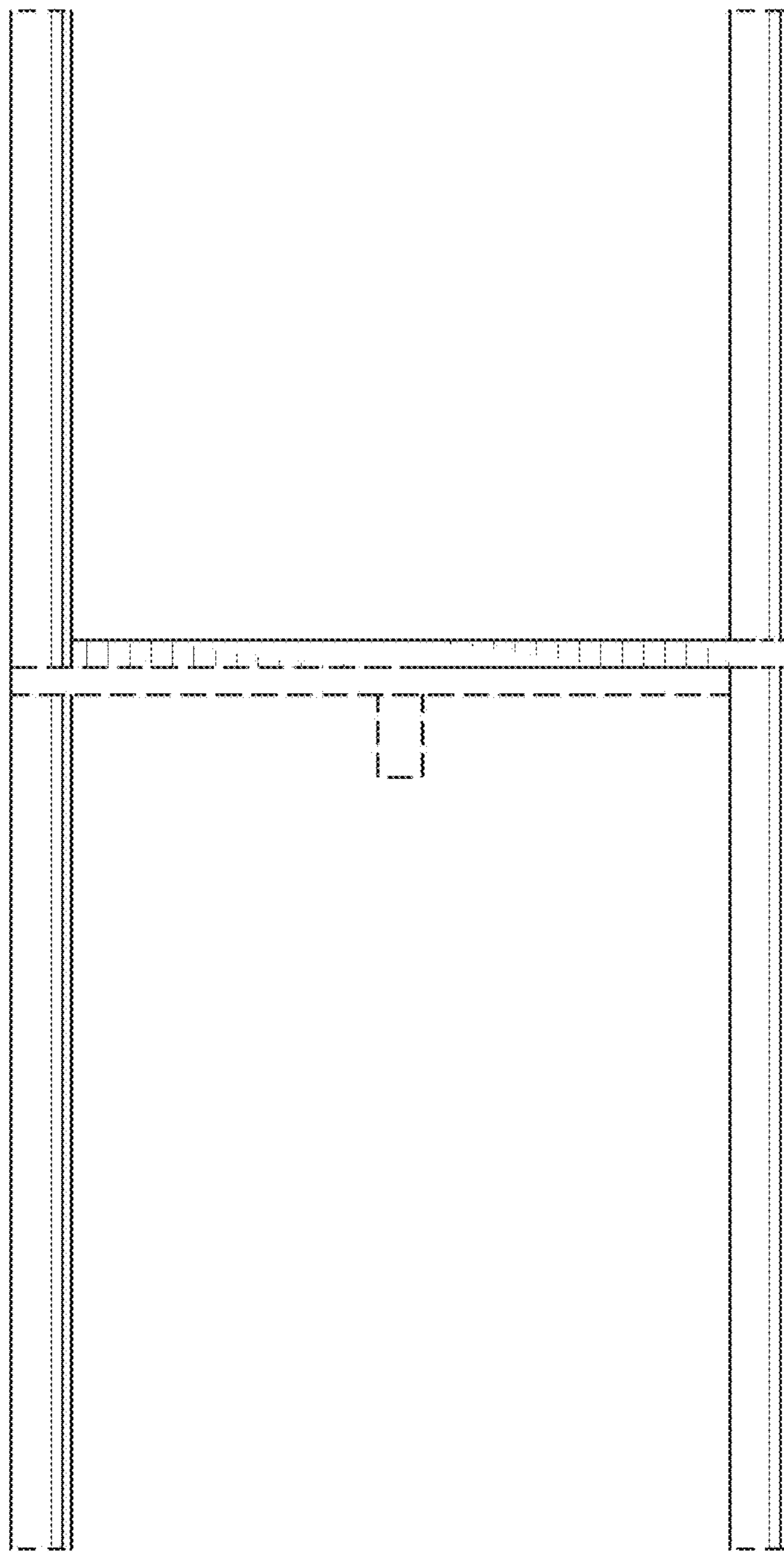


FIG. 10