



US00D693153S

(12) **United States Design Patent**  
**Kwok**

(10) **Patent No.:** **US D693,153 S**

(45) **Date of Patent:** **\*\* Nov. 12, 2013**

(54) **BRICK DISPLAY CASE**

(71) Applicant: **Chi Keung Kwok**, Kowloon (HK)

(72) Inventor: **Chi Keung Kwok**, Kowloon (HK)

(\*\*) Term: **14 Years**

(21) Appl. No.: **29/445,943**

(22) Filed: **Feb. 19, 2013**

(30) **Foreign Application Priority Data**

Dec. 20, 2012 (HK) ..... 1202495

(51) **LOC (9) Cl.** ..... **06-04**

(52) **U.S. Cl.**  
USPC ..... **D6/661**

(58) **Field of Classification Search**  
USPC ..... D6/561, 657, 659, 660, 661, 663, 664,  
D6/671, 671.1, 671.2, 671.3, 671.4;  
312/107, 114, 117, 138.1, 204, 227,  
312/237, 257.1, 263, 278, 279  
See application file for complete search history.

(56) **References Cited**

**U.S. PATENT DOCUMENTS**

588,647 A \* 8/1897 Moorman ..... 312/114  
707,325 A \* 8/1902 Hicks ..... 312/117

845,652 A \* 2/1907 Berge ..... 312/114  
1,658,932 A \* 2/1928 Morris ..... 312/114  
D172,795 S \* 8/1954 Berge ..... D6/661  
D197,502 S \* 2/1964 Elliot ..... D6/561  
3,998,509 A \* 12/1976 Hauser ..... 312/263  
D362,766 S \* 10/1995 Elhage ..... D6/661  
D446,971 S \* 8/2001 Aguayo, Jr. .... D6/661  
D472,739 S \* 4/2003 Wimer ..... D6/661  
D481,558 S \* 11/2003 Milligan ..... D6/661  
D554,904 S \* 11/2007 McCabe ..... D6/661  
2008/0297015 A1 \* 12/2008 Hager et al. .... 312/237

\* cited by examiner

*Primary Examiner* — Mimosa De

(74) *Attorney, Agent, or Firm* — Rabin & Berdo, P.C.

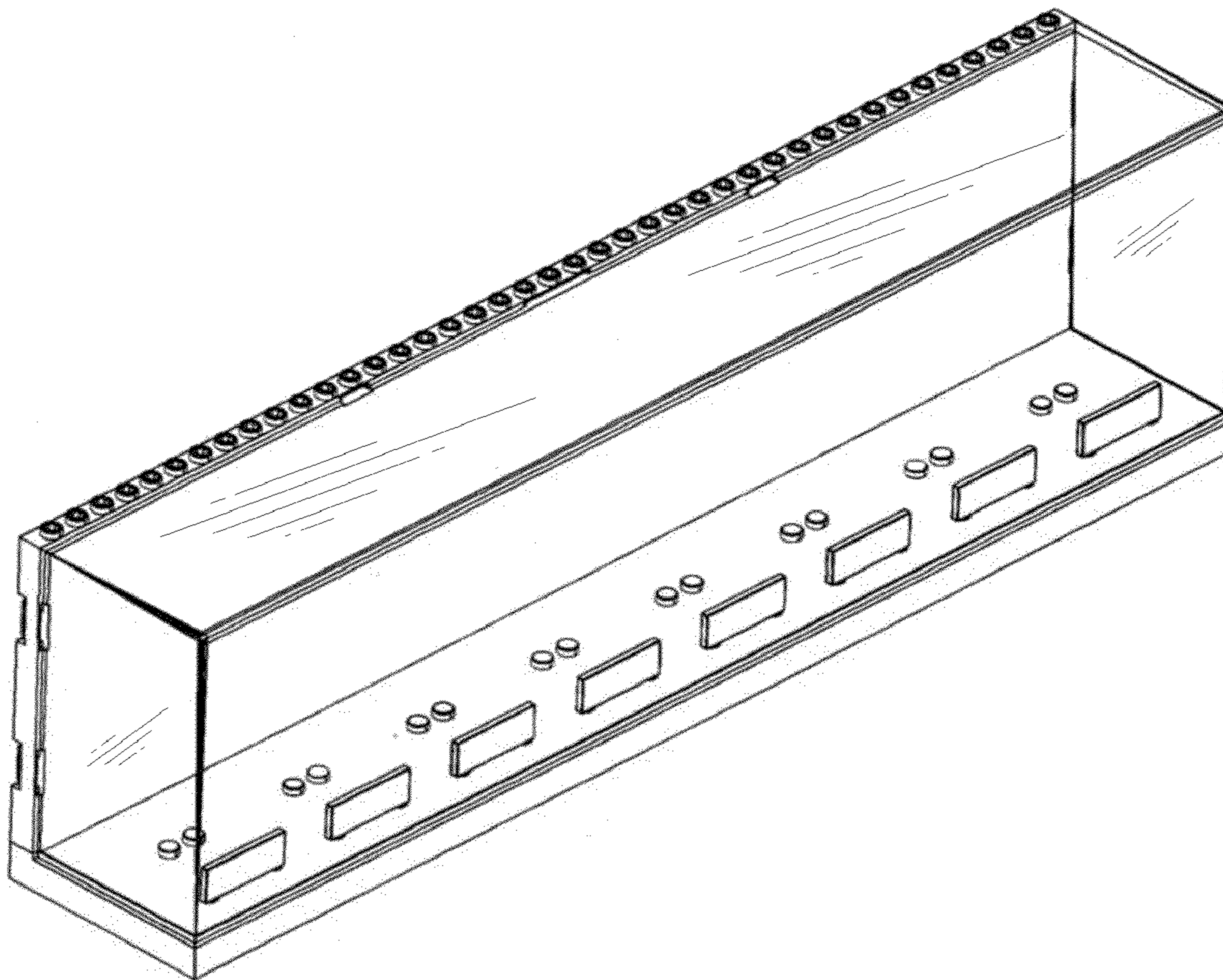
(57) **CLAIM**

The ornamental design for brick display case, as shown and described.

**DESCRIPTION**

FIG. 1 is a front side perspective view a brick display case showing my new design;  
FIG. 2 is a rear side perspective view thereof;  
FIG. 3 is a front view of  
FIG. 4 is a rear view thereof  
FIG. 5 is a right side view thereof;  
FIG. 6 is a left side view thereof;  
FIG. 7 is a top view thereof; and,  
FIG. 8 is a bottom view thereof.

**1 Claim, 3 Drawing Sheets**



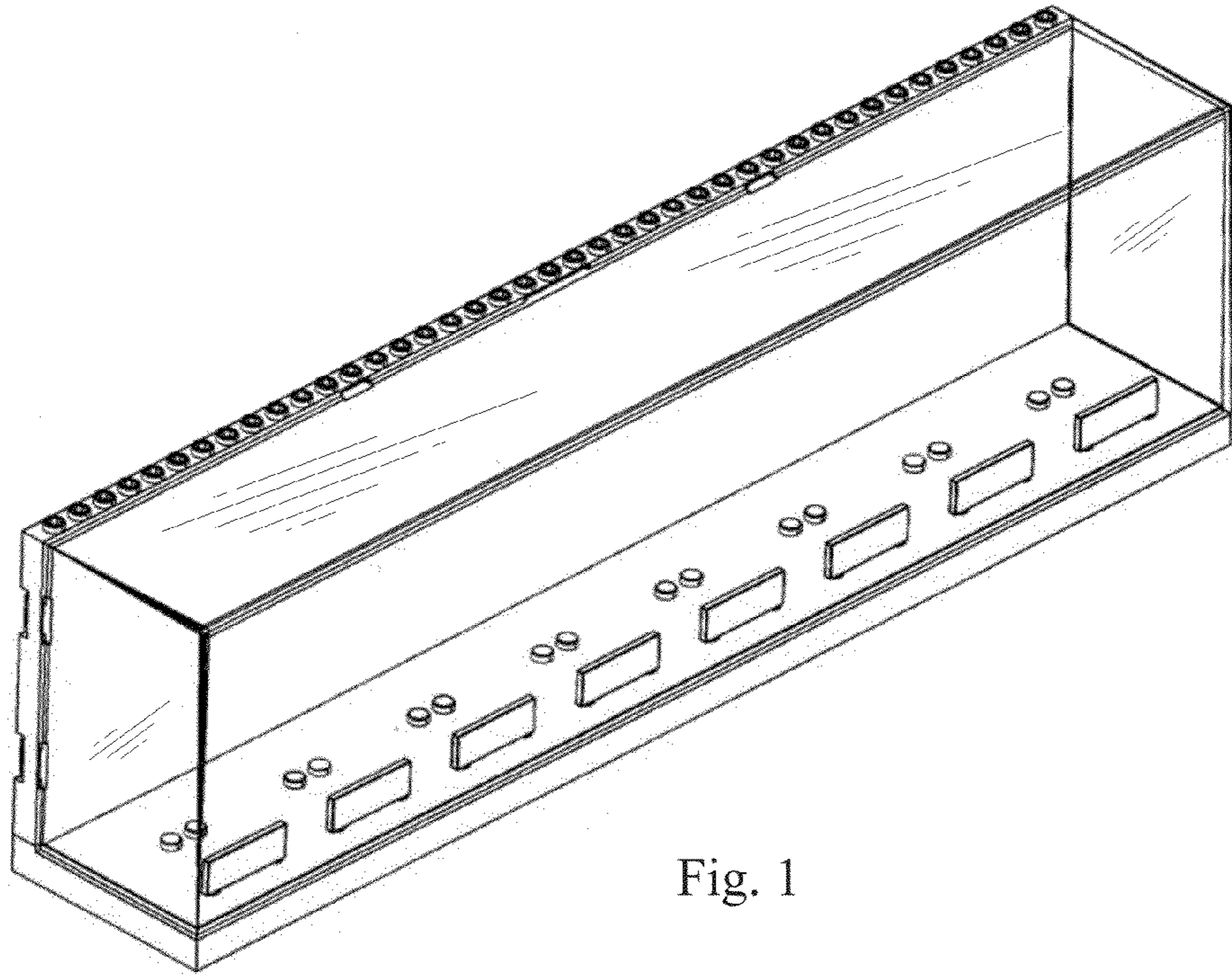


Fig. 1

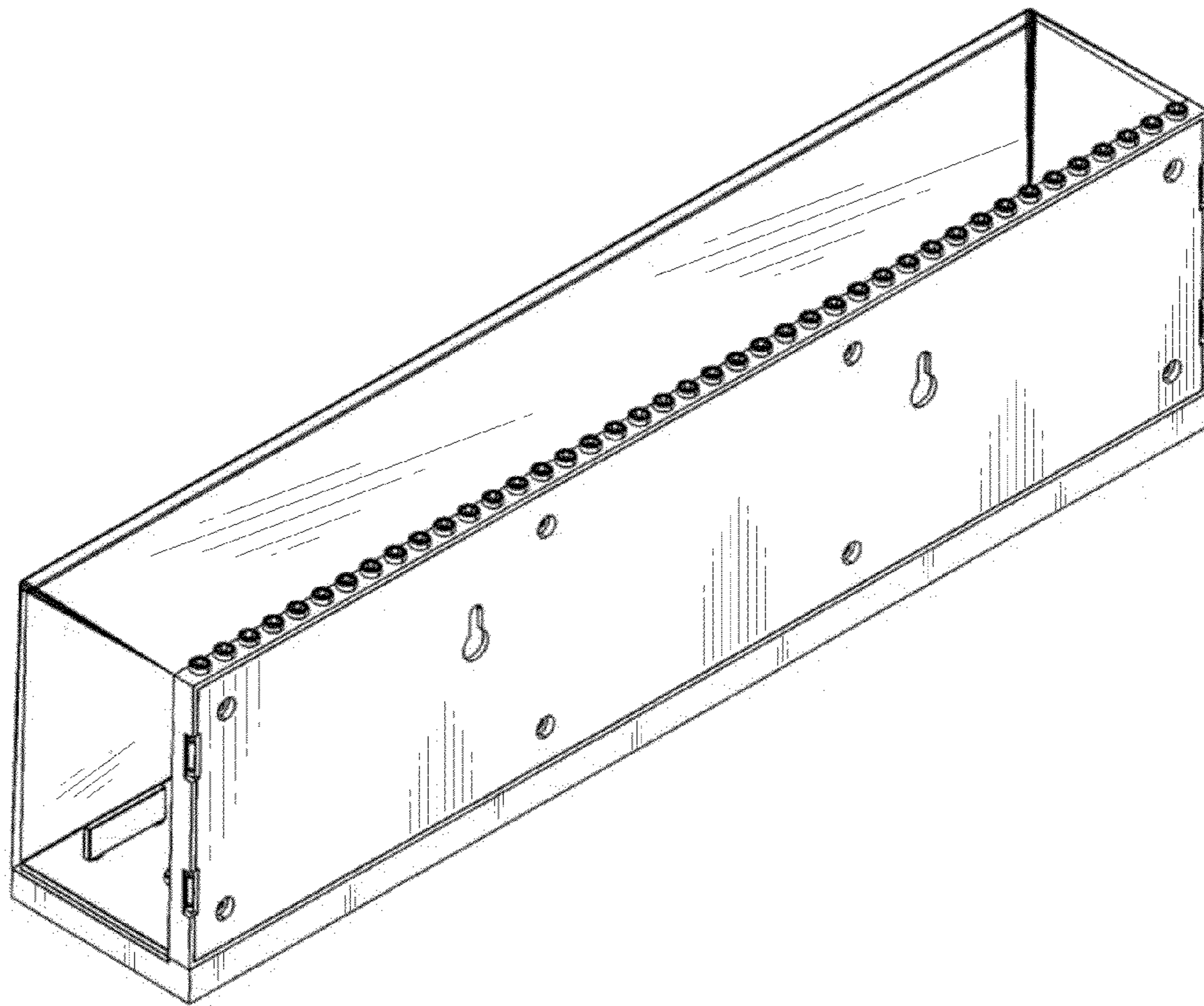


Fig. 2

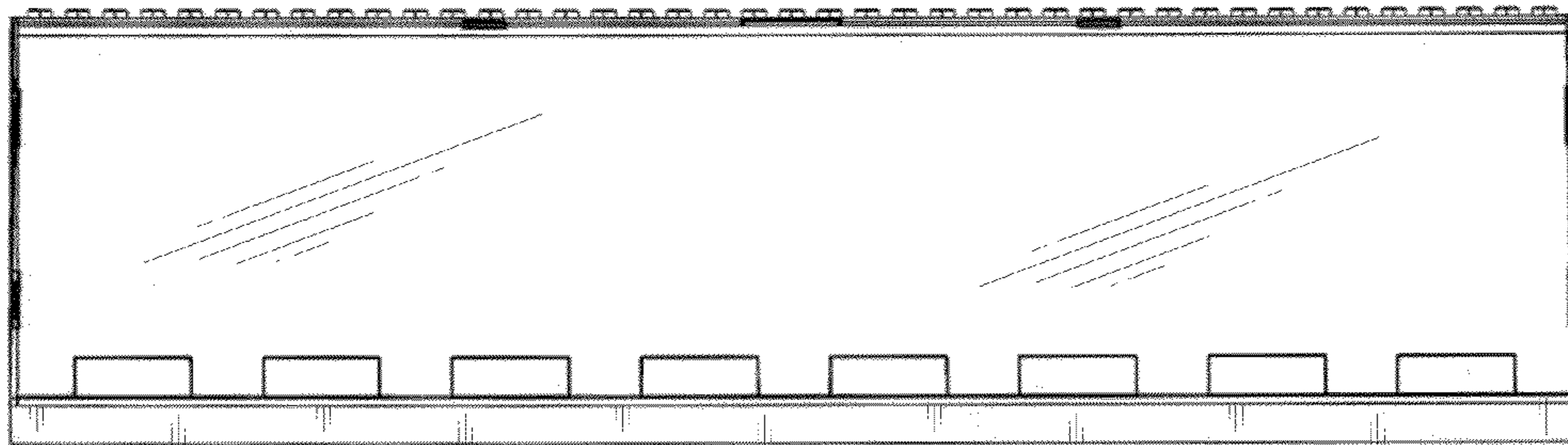


Fig. 3

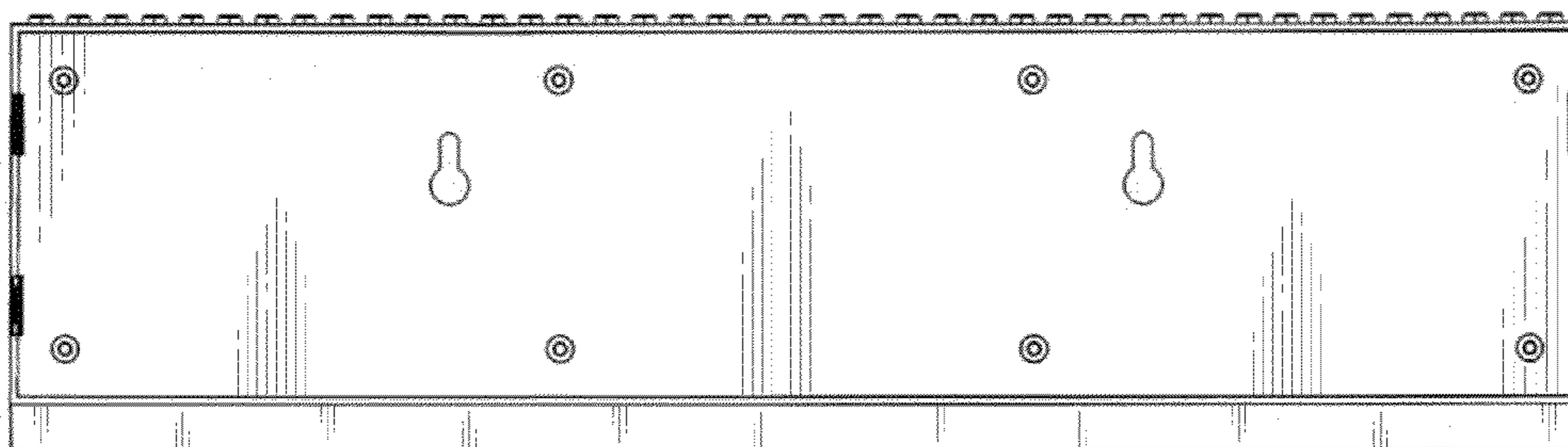


Fig. 4

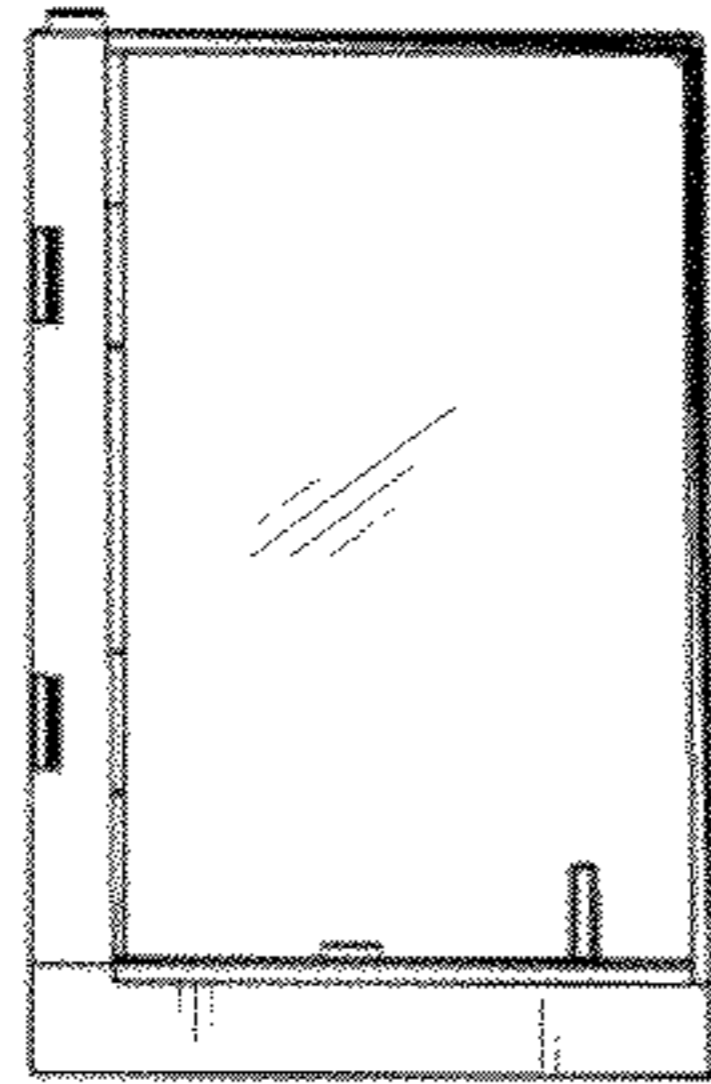


Fig. 5

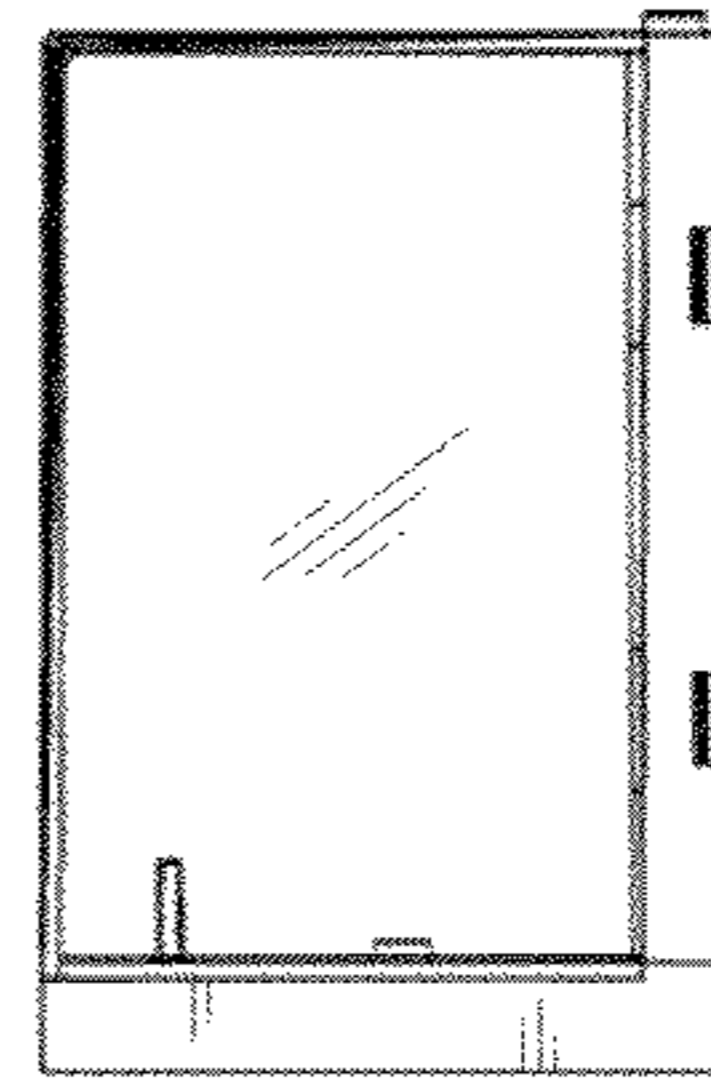


Fig. 6

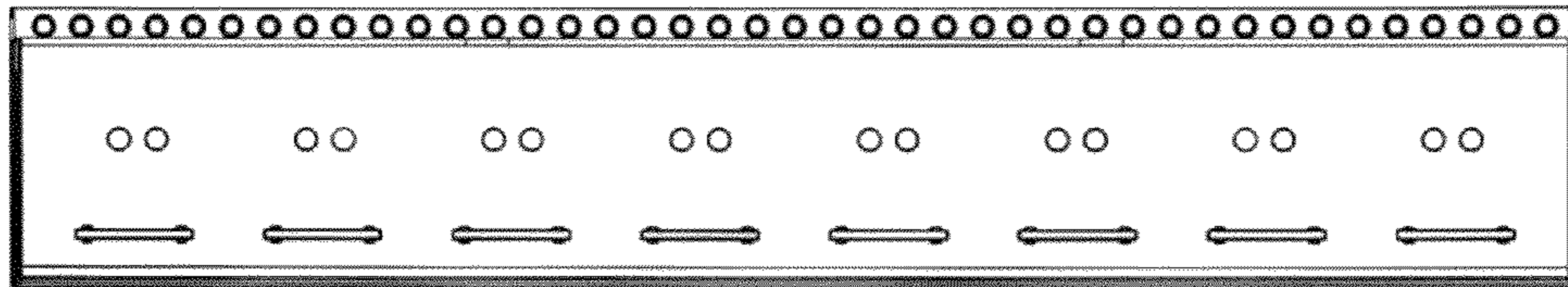


Fig. 7

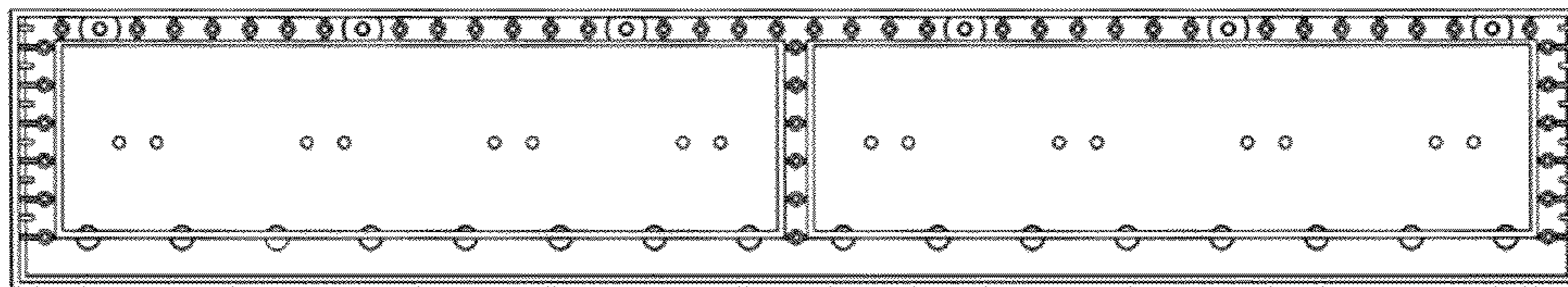


Fig. 8