

US00D693151S

(12) **United States Design Patent**
Schweikarth et al.

(10) **Patent No.:** **US D693,151 S**
(45) **Date of Patent:** **** Nov. 12, 2013**

(54) **TABLE**
(75) Inventors: **Derek Schweikarth**, Celestine, IN (US);
Donald Woods, Celestine, IN (US);
Mark Wahl, Lincoln City, IN (US)

5,306,072 A 4/1994 Caldwell
D349,609 S 8/1994 Aronowitz et al.
D349,822 S 8/1994 Murry
D357,375 S 4/1995 Noll
5,431,479 A 7/1995 Leib

(Continued)

(73) Assignee: **Kimball International, Inc.**, Jasper, IN (US)

FOREIGN PATENT DOCUMENTS

(**) Term: **14 Years**

GB D2058701 12/1996
GB D2060883 2/1997

(Continued)

(21) Appl. No.: **29/424,201**

OTHER PUBLICATIONS

(22) Filed: **Jun. 8, 2012**

(51) **LOC (9) Cl.** **06-03**

Hill-rom.eleedsamples.com <http://hillrom.eleedsamples.com/Finishes/ePholsterProduct.jsp?lid=2112&mid=1076> (Accessed 19, 2011.).

(52) **U.S. Cl.**

USPC **D6/648.1; D6/696.3**

(58) **Field of Classification Search**

USPC D6/695.4, 696, 696.3, 707, 707.22, 648, D6/648.1, 649, 650; 108/65, 66, 90, 153.1, 108/156, 161, 50.01, 50.02; 248/188, 248/188.1, 188.7; 312/238

See application file for complete search history.

(Continued)

Primary Examiner — Janice Seeger

(74) *Attorney, Agent, or Firm* — Faegre Baker Daniels LLP

(56) **References Cited**

(57) **CLAIM**

The ornamental design for a table, as shown.

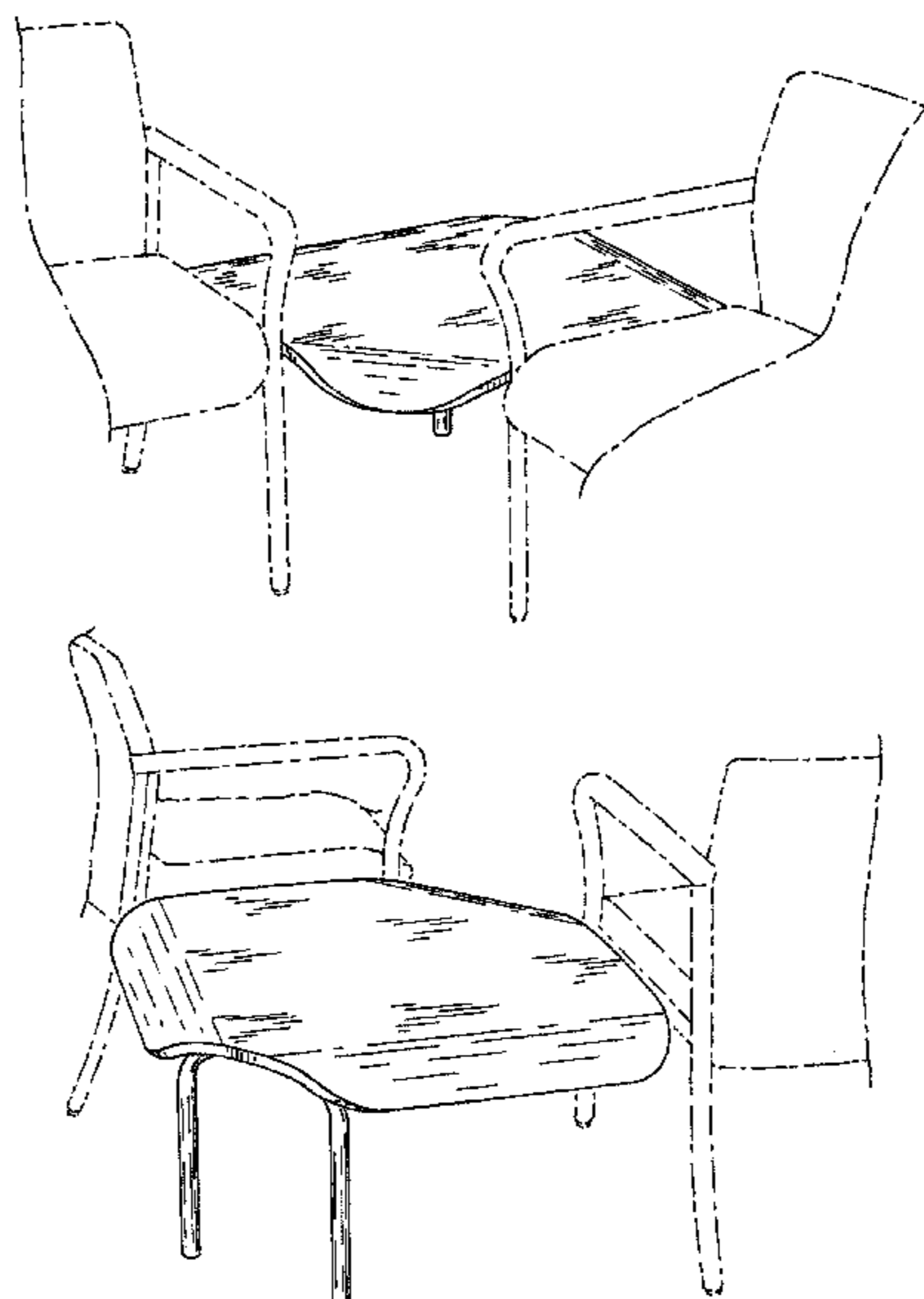
U.S. PATENT DOCUMENTS

DESCRIPTION

- D31,049 S 6/1899 Graves
- D41,617 S 7/1911 Wanner
- D141,017 S 4/1945 Stanitz
- D190,907 S 7/1961 Kasparian
- D285,031 S 8/1986 Clark
- D286,827 S 11/1986 Arthur, Jr.
- 4,657,302 A 4/1987 Snyder
- D292,049 S 9/1987 Goldman
- D305,389 S 1/1990 Bellini
- D307,684 S 5/1990 Williams
- D312,005 S 11/1990 Snodgrass
- D320,510 S 10/1991 Ivecevic
- D327,987 S 7/1992 Delmerico et al.
- D336,723 S 6/1993 Asbjornsen
- D342,166 S 12/1993 Heidmann
- 5,292,177 A 3/1994 Balderi et al.

FIG. 1 is a front perspective view of a table according to our new design;
FIG. 2 is a rear perspective view thereof;
FIG. 3 is a front view thereof;
FIG. 4 is a rear view thereof;
FIG. 5 is a first side view thereof;
FIG. 6 is a second side view thereof;
FIG. 7 is a third side view thereof;
FIG. 8 is a fourth side view thereof; and,
FIG. 9 is a top view thereof.
Features shown in dashed lines form no part of the claimed design.

1 Claim, 4 Drawing Sheets



(56)

References Cited

FOREIGN PATENT DOCUMENTS

U.S. PATENT DOCUMENTS

D362,772 S * 10/1995 Peart et al. D6/511
 D363,389 S 10/1995 Leib
 5,470,128 A 11/1995 Kerkham
 D366,158 S 1/1996 Wirth
 D367,192 S 2/1996 Frattini
 D379,564 S 6/1997 Burdick et al.
 D383,618 S 9/1997 Burdick et al.
 D385,425 S 10/1997 Goetz
 D389,452 S 1/1998 Scott
 D396,563 S 8/1998 Meijer
 D400,015 S 10/1998 Hutton
 D405,286 S 2/1999 James et al.
 D405,620 S 2/1999 Koepke et al.
 D410,802 S 6/1999 Olson
 D419,314 S 1/2000 Saul
 D422,426 S 4/2000 Donnelly
 D436,751 S 1/2001 Schacht
 D439,068 S 3/2001 Vanderbyl
 D442,395 S 5/2001 McClintock et al.
 D445,574 S 7/2001 Foster
 D447,882 S 9/2001 Kane
 D448,191 S 9/2001 Kane
 D448,192 S 9/2001 Kane
 D451,688 S 12/2001 Cramer
 D465,676 S 11/2002 Pathiratne
 D470,322 S 2/2003 Tsai
 D474,349 S 5/2003 Striebel
 D481,229 S 10/2003 Weaver
 D491,756 S 6/2004 Nemeth
 D512,229 S 12/2005 Reza-Hadden
 D514,835 S 2/2006 Grosfillex
 D515,329 S 2/2006 Mohundro
 D533,365 S 12/2006 Martin
 D539,561 S 4/2007 Martin
 D540,558 S 4/2007 Neil
 D540,559 S 4/2007 Neil
 D549,979 S 9/2007 Kane et al.
 D579,217 S 10/2008 Cramer et al.
 D587,477 S 3/2009 Neil
 D590,185 S 4/2009 Karashima
 D594,668 S 6/2009 Neil
 D601,822 S 10/2009 Neil
 D602,277 S 10/2009 Neil
 D612,174 S * 3/2010 Dingjian et al. D6/482
 D614,876 S 5/2010 Metcalf et al.
 D654,718 S 2/2012 Schweikarth
 D661,129 S * 6/2012 Schweikarth et al. D6/484

GB D2079977 4/1999
 GB D2042065 6/1999
 GB D3012705 5/2003
 GB D4015638 5/2010

OTHER PUBLICATIONS

Multimedia-furniture.com <http://www.multimedia-furniture.com/Guest+Chairs.html> (Accessed Apr. 19, 2011.).
 Officefurnitureus.com <http://www.officefurnitureus.com/LES-Mystic-Grouping-1-%28180-Colors%29.htm> (Accessed Apr. 19, 2011.).
 Product Information, Spec Healthcare, "Gravity", at least as early as Jun. 10, 2011.
 Product Information, KI, "Flex", at least as early as Jun. 10, 2011.
 Product Information, Gunlocke, "Molti", at least as early as Jun. 10, 2011.
 Product Information, Nurture, "Aspekt", at least as early as Jun. 10, 2011.
 Product Information, KI, "Briar", at least as early as Jun. 10, 2011.
 Product Information, Haworth, "Tempo", at least as early as Jun. 10, 2011.
 Product Information, KI, "Perth", at least as early as Jun. 10, 2011.
 Product Information, Carolina, "Amenity", at least as early as Jun. 10, 2011.
 Product Information, Spec Furniture, "Midway", at least as early as Jun. 10, 2011.
 Product Information, Globalcare, "Primacare", at least as early as Jun. 10, 2011.
 Product Information, Spec Furniture, "Companion", at least as early as Jun. 10, 2011.
 Product Information, KI, "Soltice", at least as early as Jun. 10, 2011.
 Product Information, Nurture, "Outlook Hawthorne", at least as early as Jun. 10, 2011.
 Product Information, KI, "Three", at least as early as Jun. 10, 2011.
 Product Information, Spec Furniture, "Cooper" at least as early as Jun. 10, 2011.
 Product Information, Hon, "Versant", at least as early as Jun. 10, 2011.
 Product Information, La-Z-Boy Contract Furniture, "Companion and Gratzl Ganging Table", at least as early as Jun. 8, 2012.
 Bizchair.com <http://www.bizchair.com/93286-lzbf.html> (At least as early as Apr. 19, 2011.).

* cited by examiner

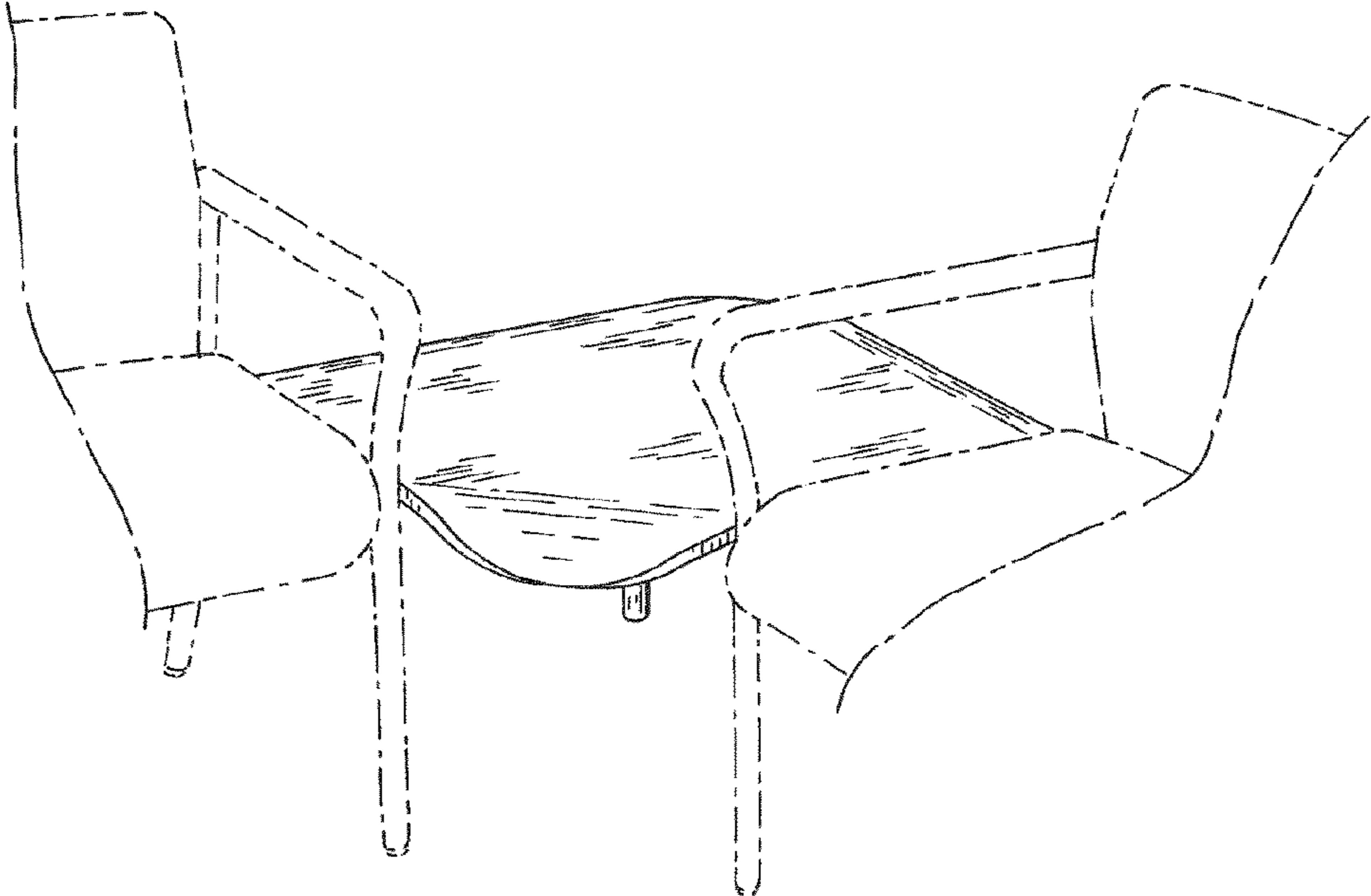


FIG. 1

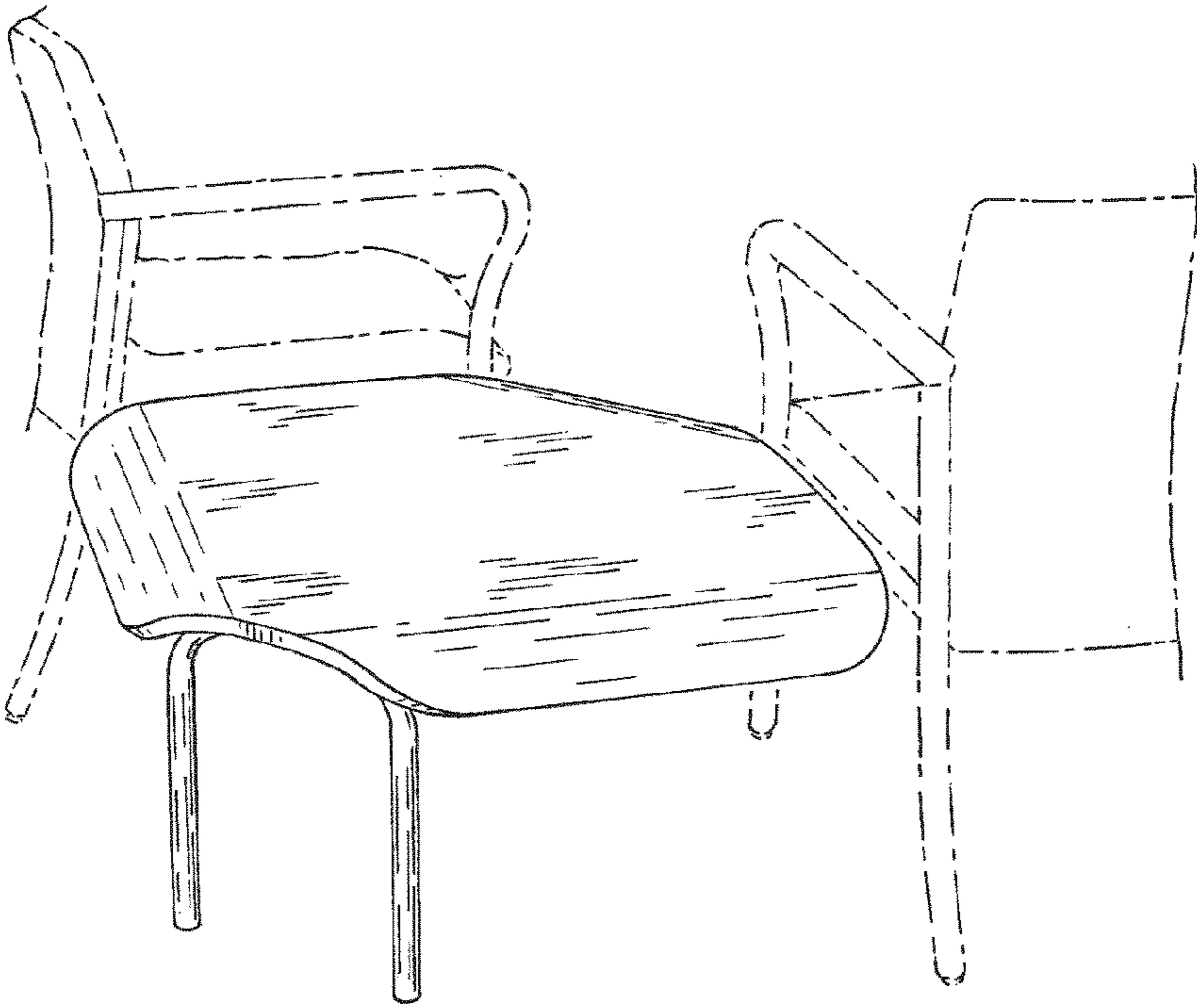


FIG. 2

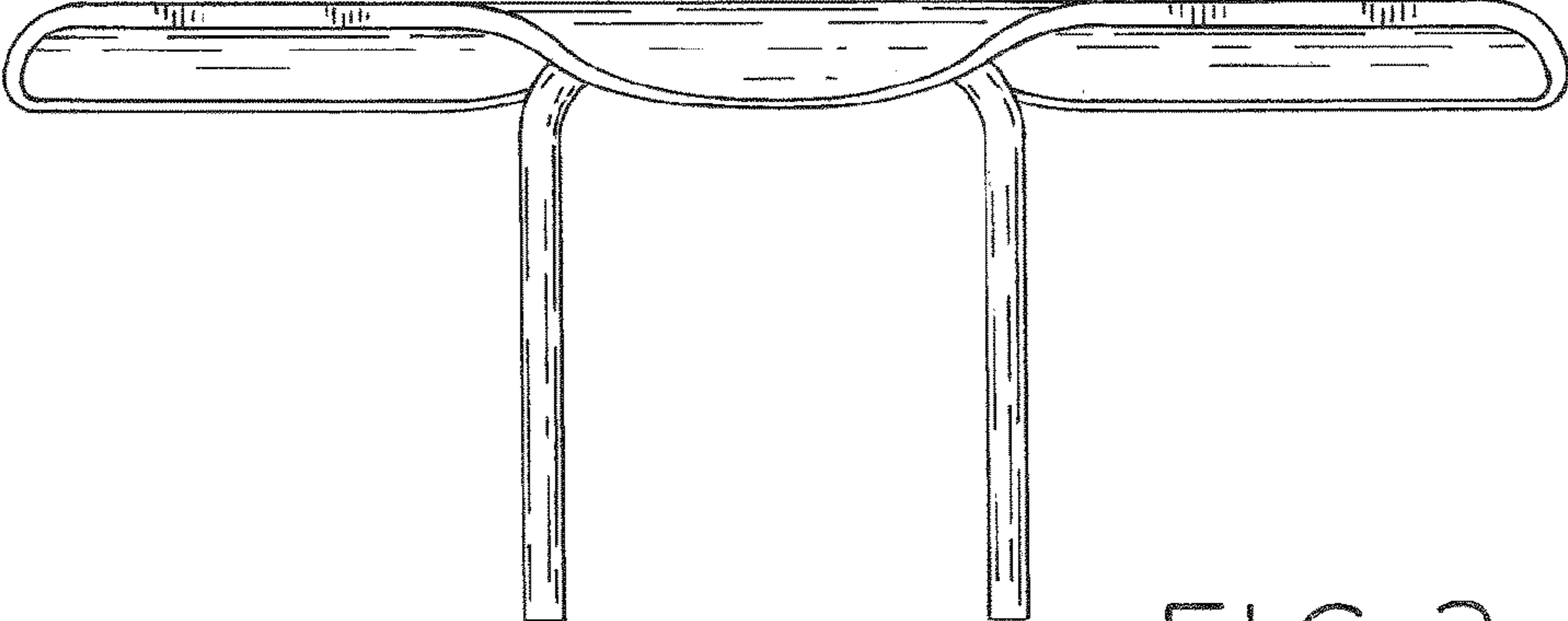


FIG. 3

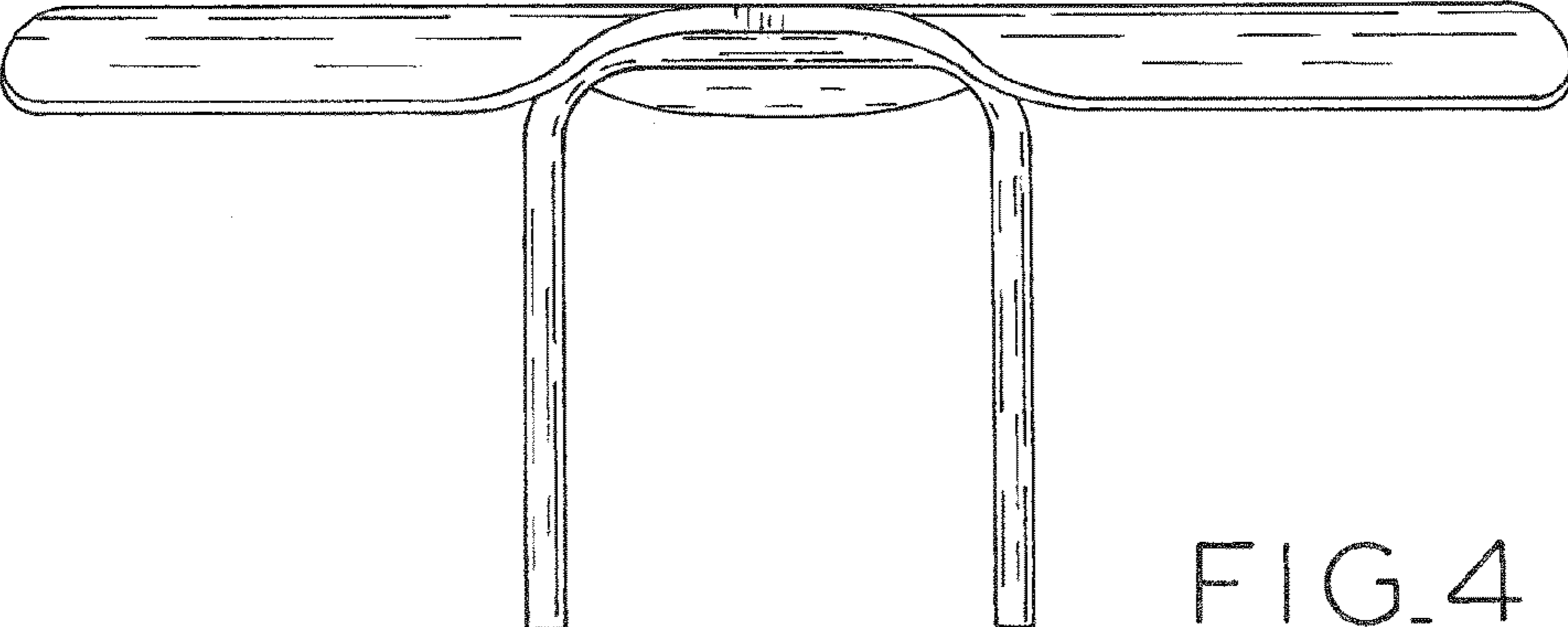


FIG. 4

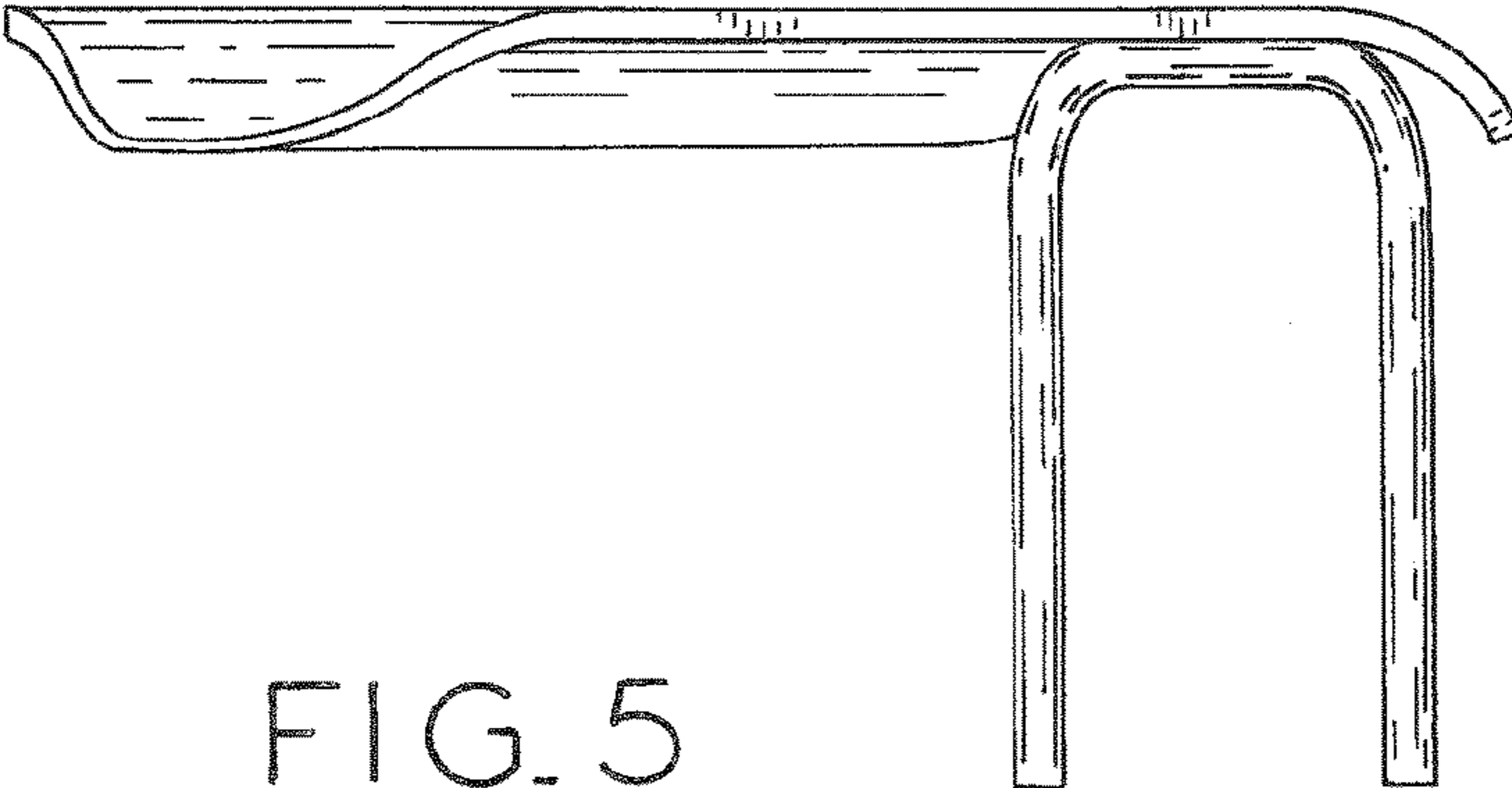


FIG. 5

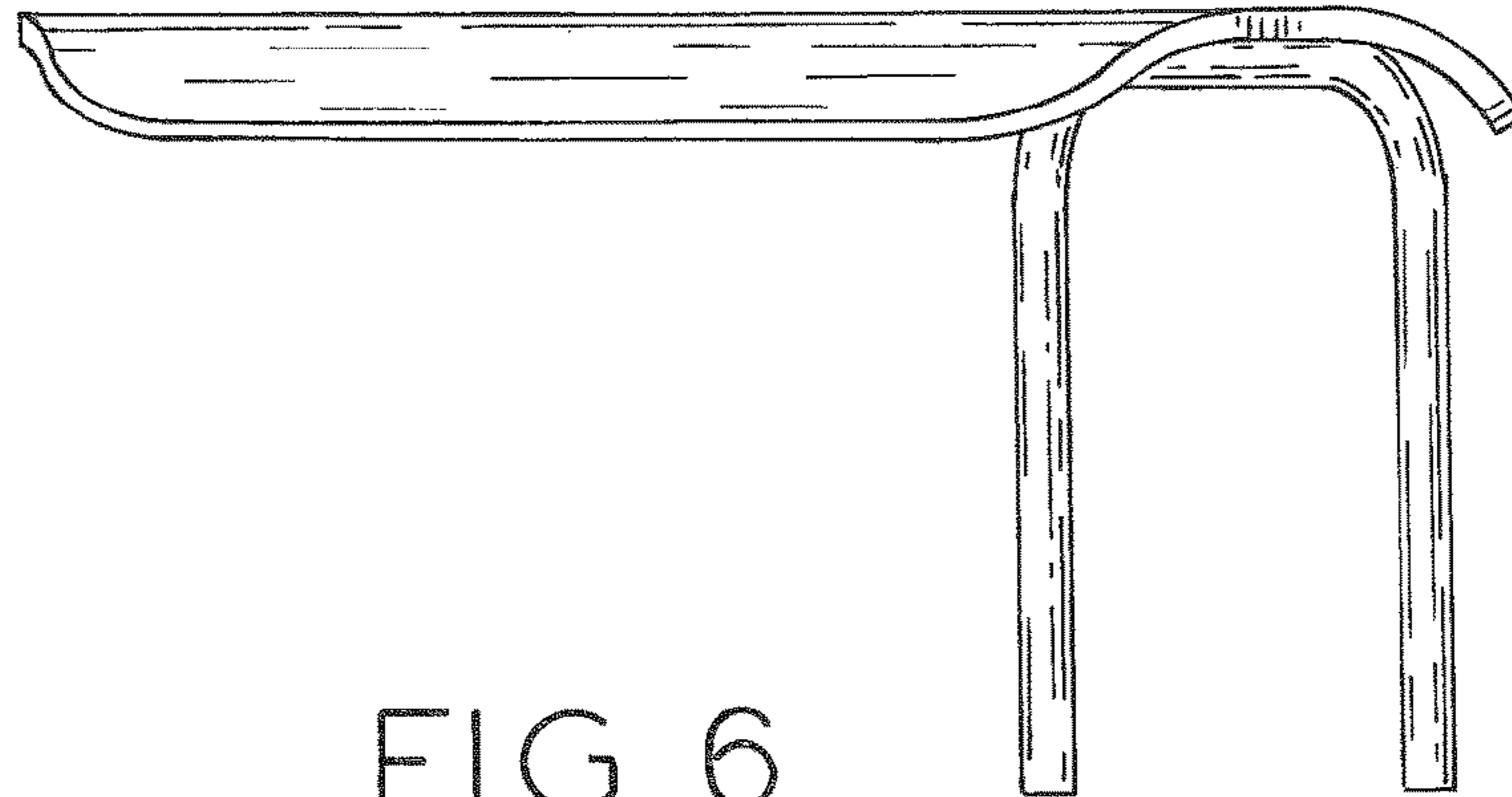


FIG. 6

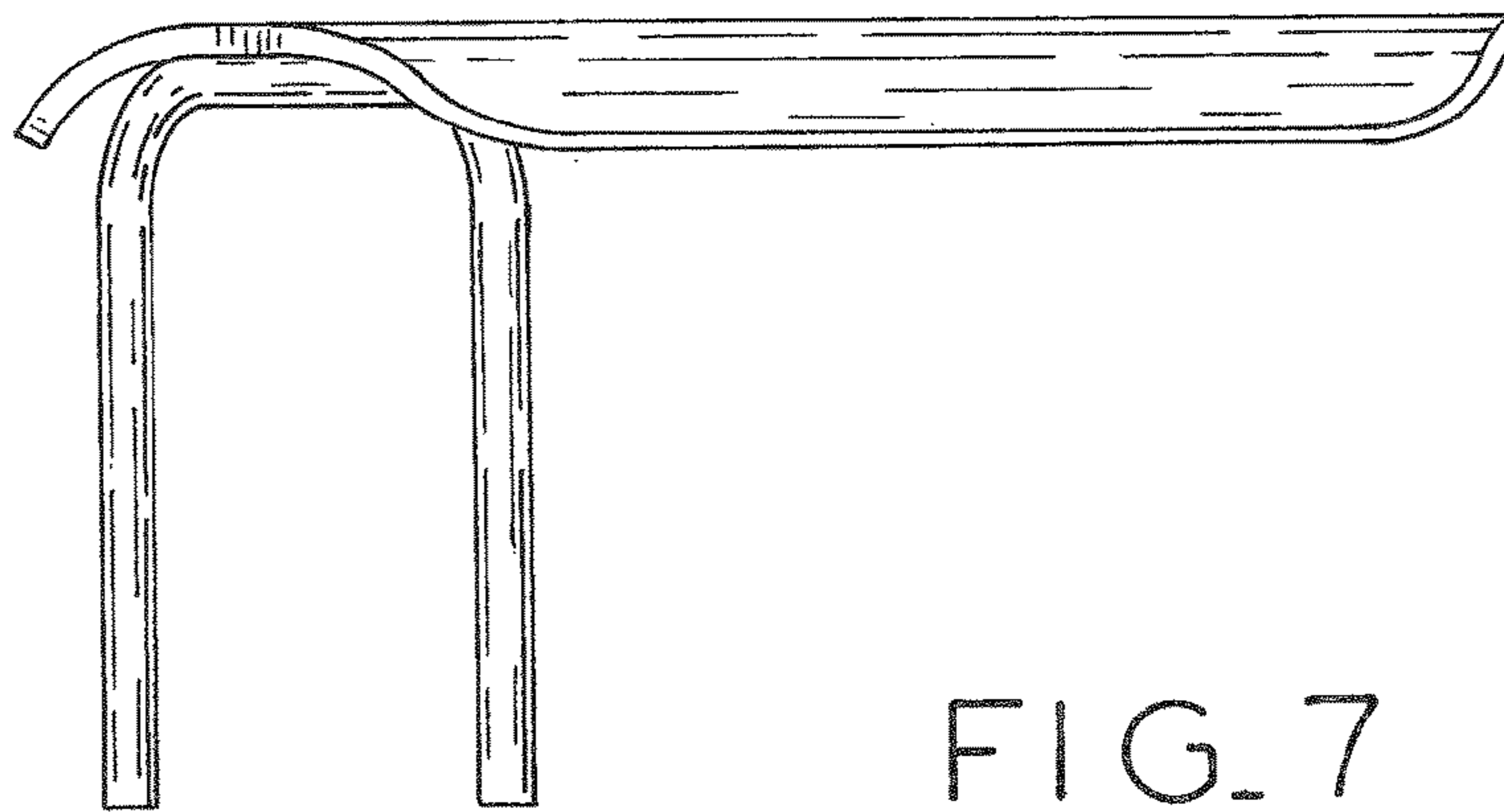


FIG. 7

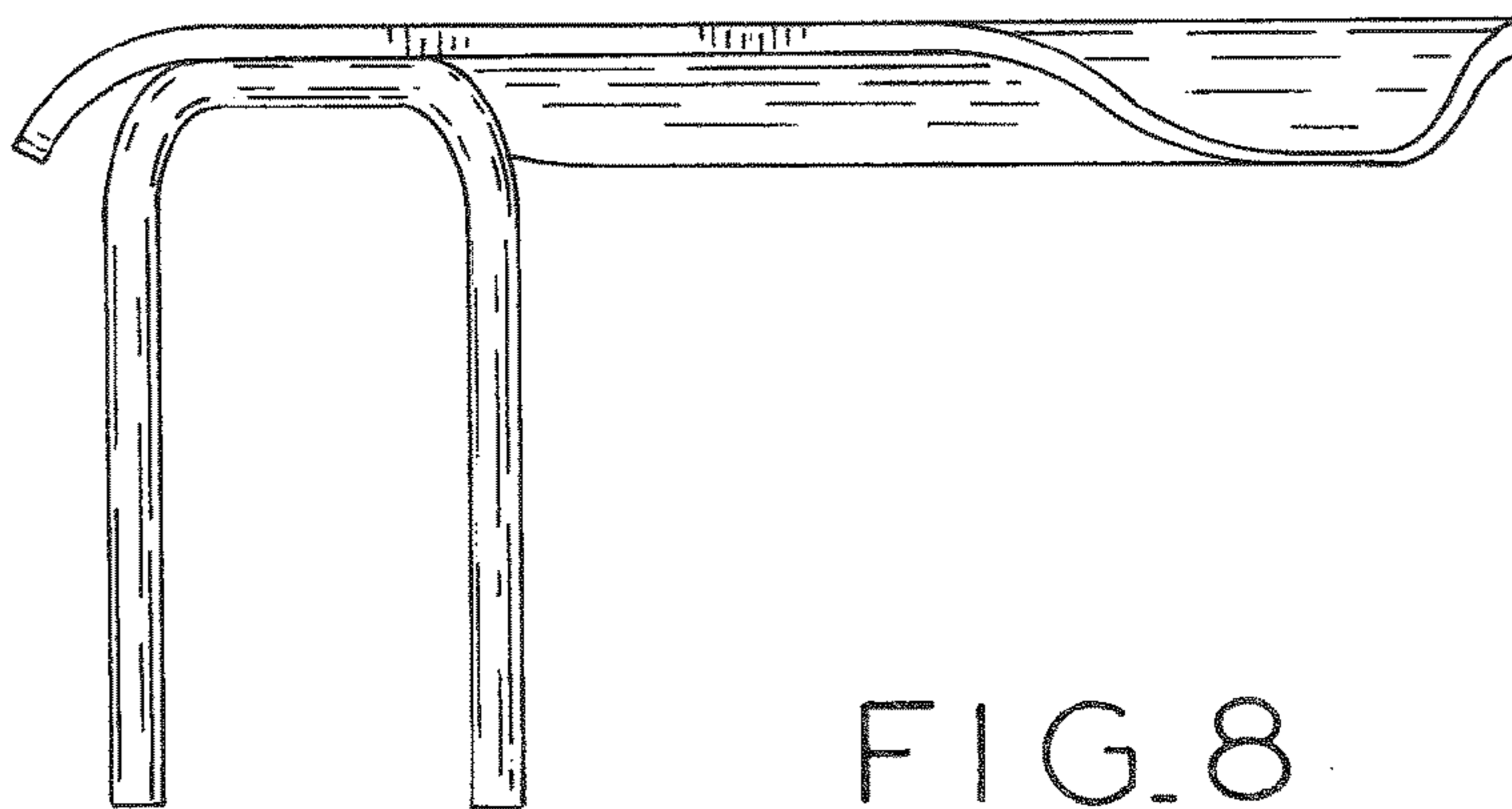


FIG. 8

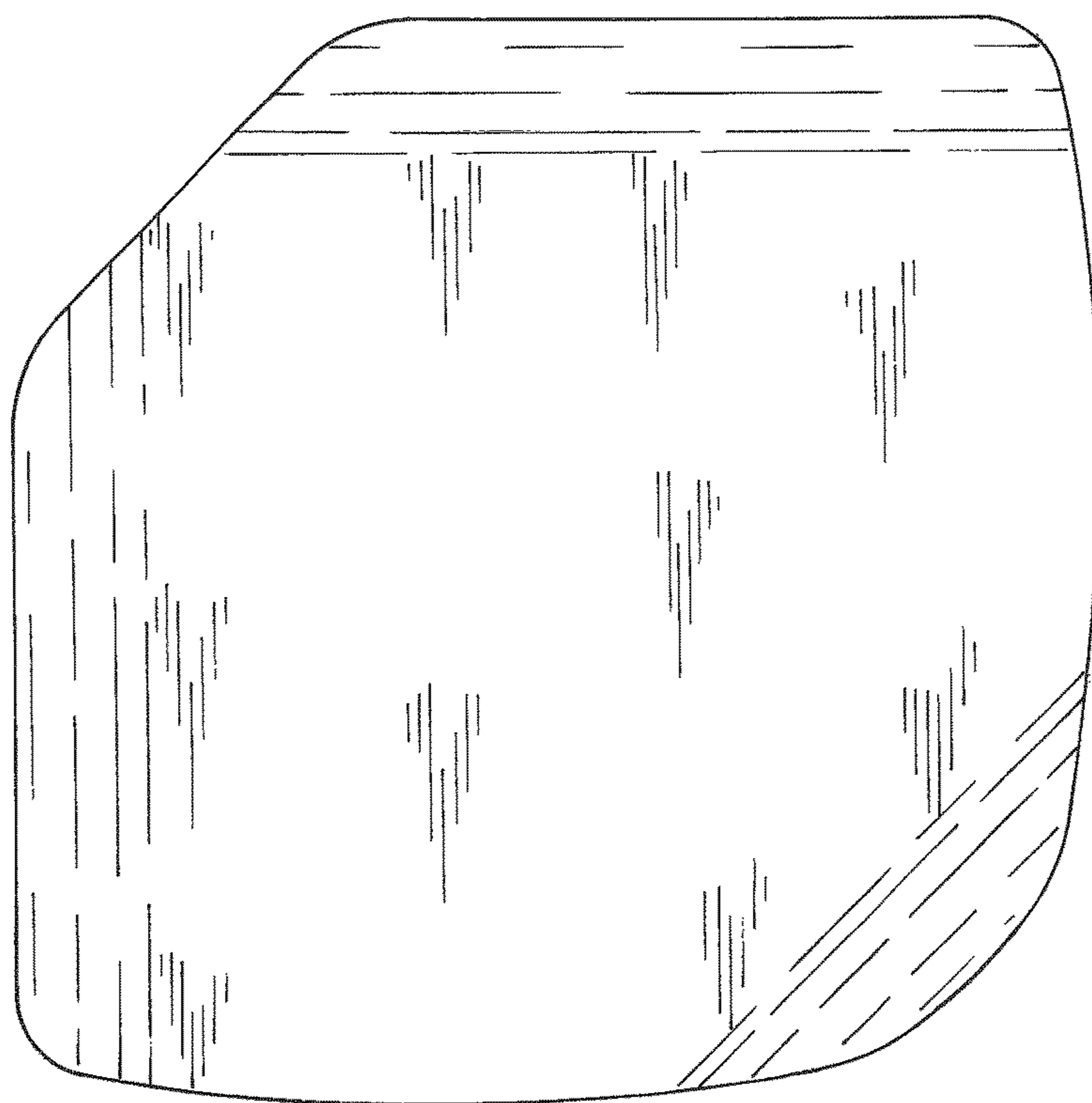


FIG. 9