

US00D693150S

(12) **United States Design Patent**  
**Johnson et al.**

(10) **Patent No.:** **US D693,150 S**

(45) **Date of Patent:** **\*\* Nov. 12, 2013**

(54) **INTEGRATED FOOD STATION AND SOFA**

(75) Inventors: **Patrick Brian Johnson**, Atlanta, GA (US); **Louise Frazier Aiken-Johnson**, Atlanta, GA (US); **David Scott Heimbuch**, Decatur, GA (US)

(73) Assignee: **Six Continents Hotels, Inc.**, Atlanta, GA (US)

(\*\*) Term: **14 Years**

(21) Appl. No.: **29/423,163**

(22) Filed: **May 29, 2012**

(51) **LOC (9) Cl.** ..... **06-04**

(52) **U.S. Cl.**  
USPC ..... **D6/648**

(58) **Field of Classification Search**  
USPC ..... D6/336, 420, 426, 421, 436, 342, 397, D6/398; 312/235.1, 352, 245, 246; 108/50.11, 50.14, 27, 11, 28  
See application file for complete search history.

(56) **References Cited**

**U.S. PATENT DOCUMENTS**

D148,242 S \* 12/1947 Horsewood ..... D6/336  
D174,341 S \* 3/1955 Michlin ..... D6/342  
D181,640 S \* 12/1957 Gelbspan et al. .... D6/336

2,881,040 A \* 4/1959 Hartridge ..... 312/235.1  
D192,495 S \* 4/1962 Pink ..... D6/336  
D312,001 S \* 11/1990 Synarski et al. .... D6/336  
D358,726 S \* 5/1995 Rivera ..... D6/436  
D497,269 S \* 10/2004 Richardson et al. .... D6/436  
D497,495 S \* 10/2004 Richardson et al. .... D6/436  
D530,929 S \* 10/2006 Resterhouse et al. .... D6/336  
D603,185 S \* 11/2009 Bockheim et al. .... D6/436

\* cited by examiner

*Primary Examiner* — Philip S. Hyder  
*Assistant Examiner* — Sydney Buffalow

(74) *Attorney, Agent, or Firm* — Kilpatrick Townsend & Stockton LLP

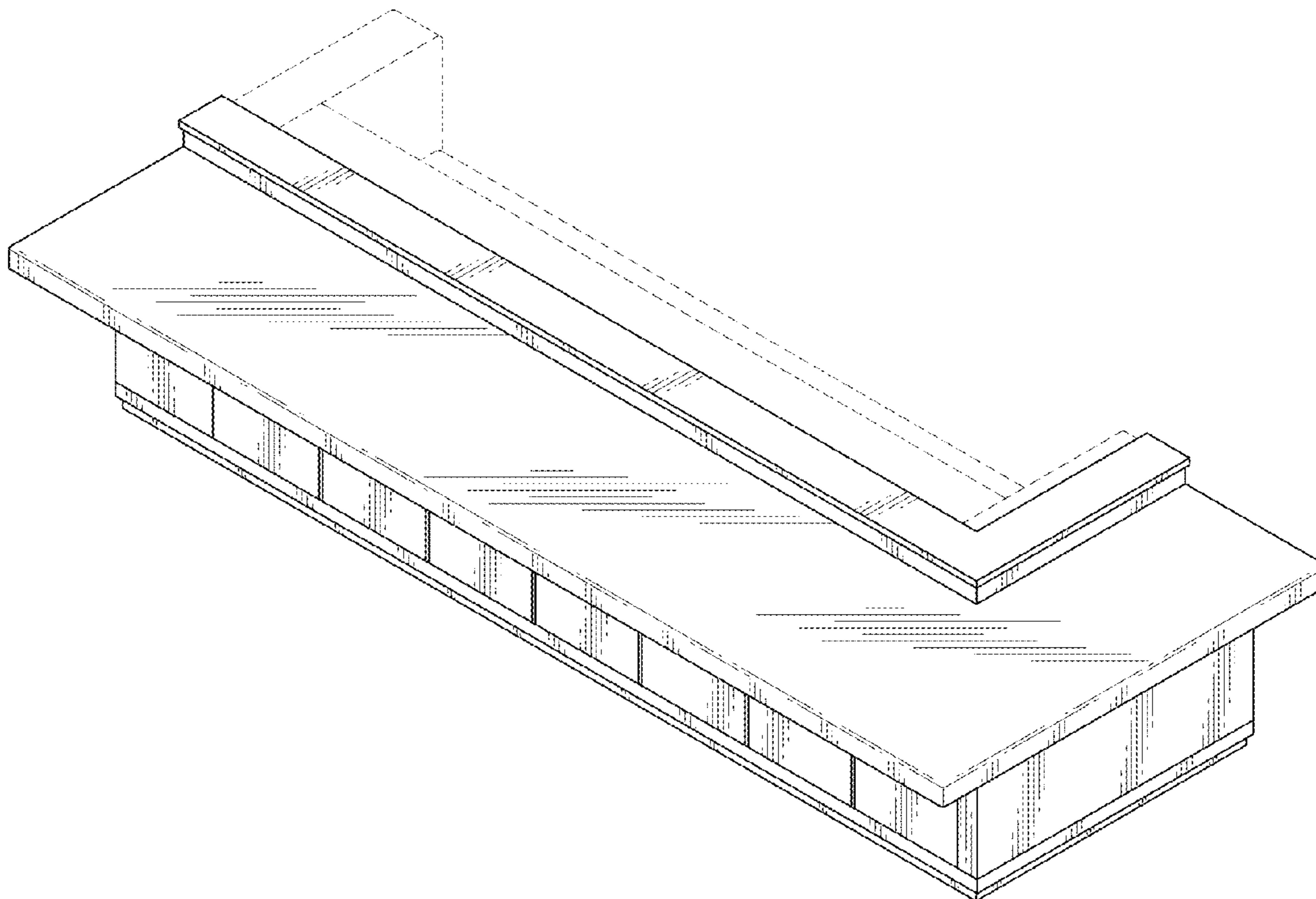
(57) **CLAIM**

The ornamental design for an integrated food station and sofa, as shown and described.

**DESCRIPTION**

FIG. 1 is a perspective view of an integrated food station and sofa showing our new design;  
FIG. 2 is a front elevational view thereof;  
FIG. 3 is a rear elevational view thereof;  
FIG. 4 is a right side elevational view thereof,  
FIG. 5 is a left side elevational view thereof; and,  
FIG. 6 is a top plan view thereof.  
The broken line showing is for illustrative purposes only and forms no part of the claimed design.

**1 Claim, 2 Drawing Sheets**



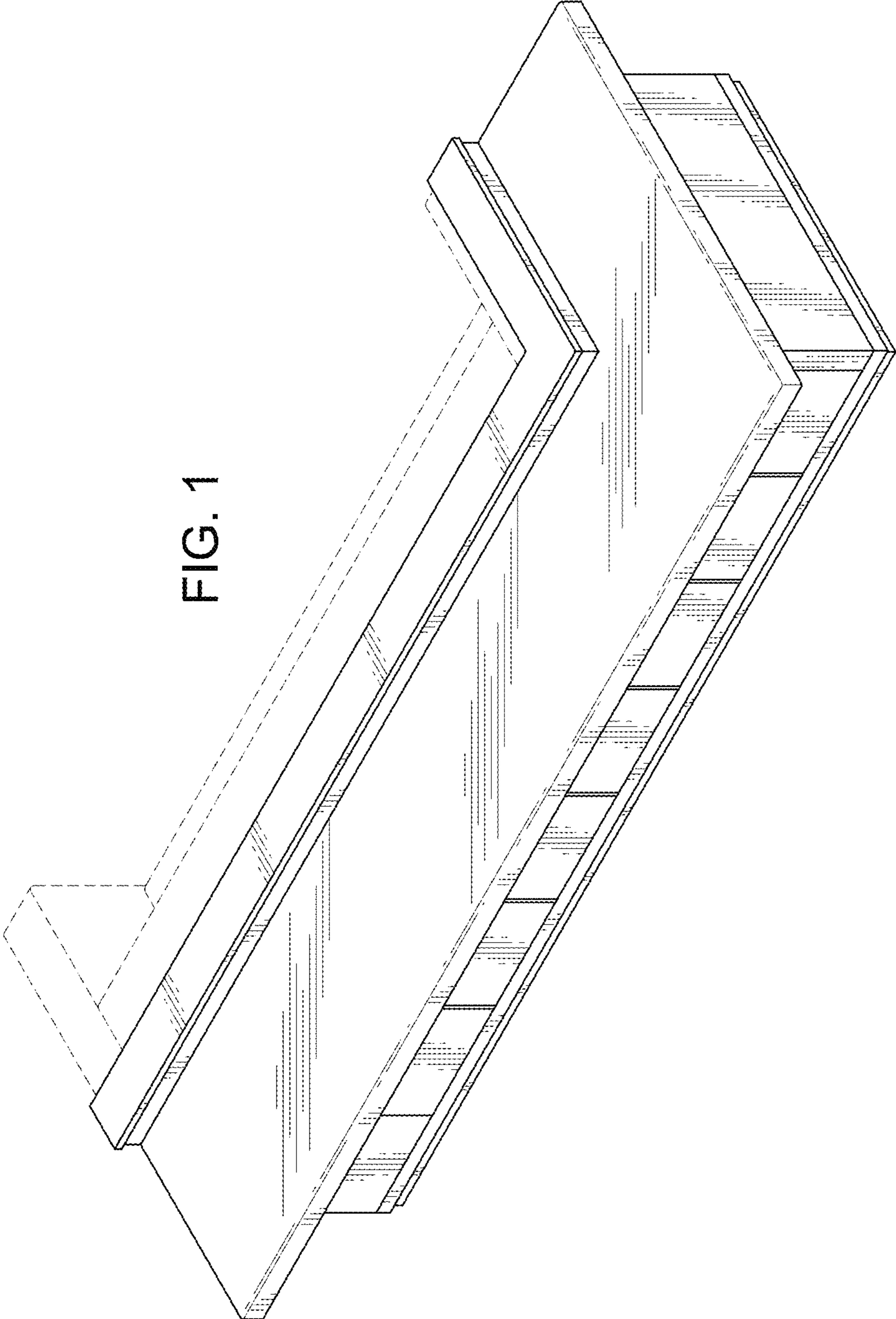


FIG. 1

FIG. 2

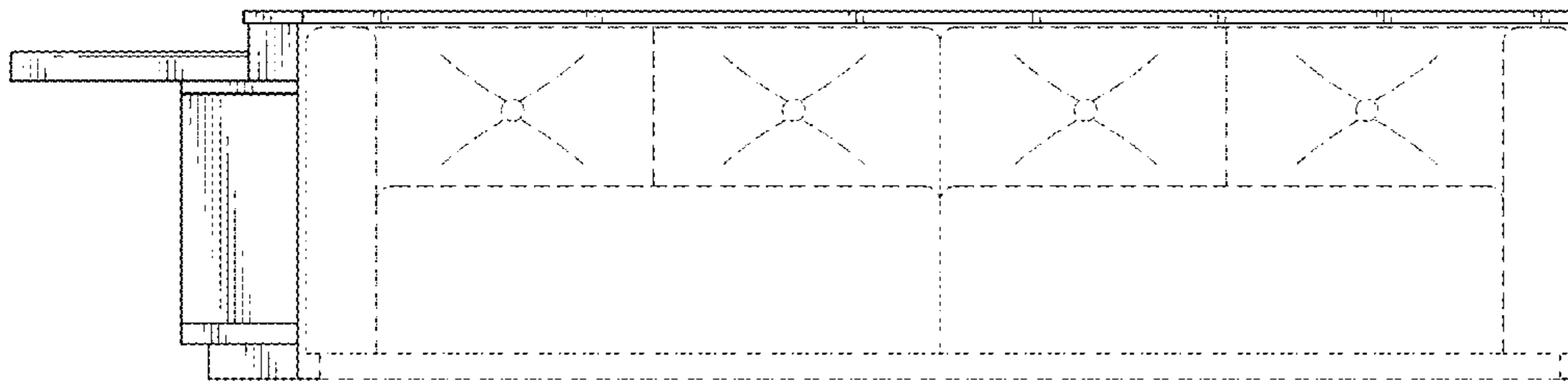


FIG. 3

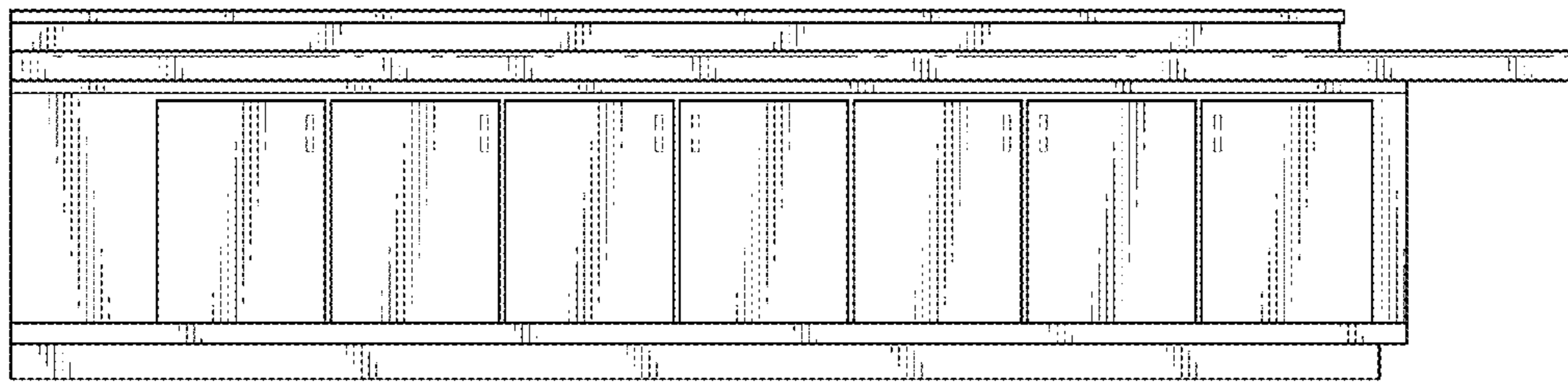


FIG. 4

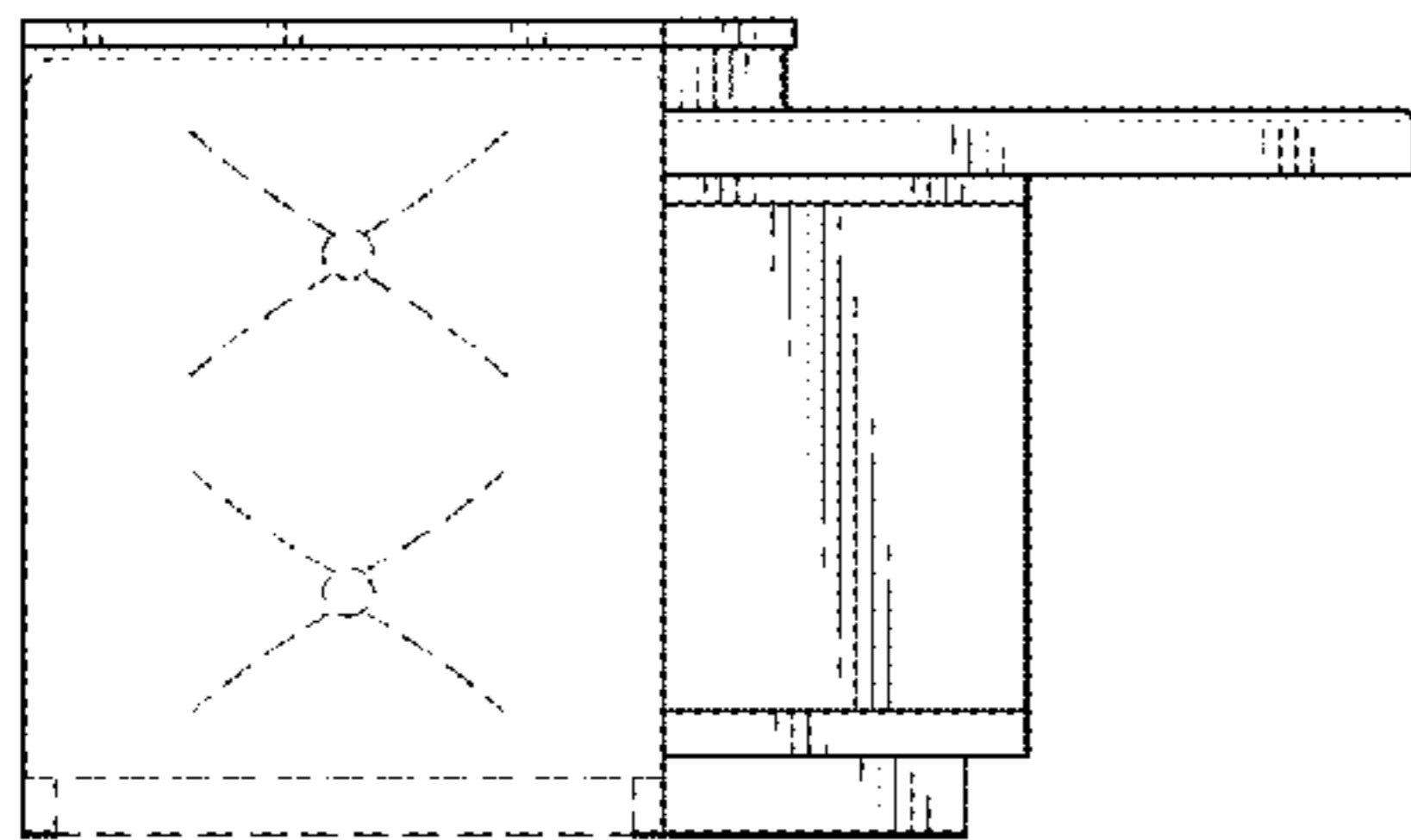


FIG. 5

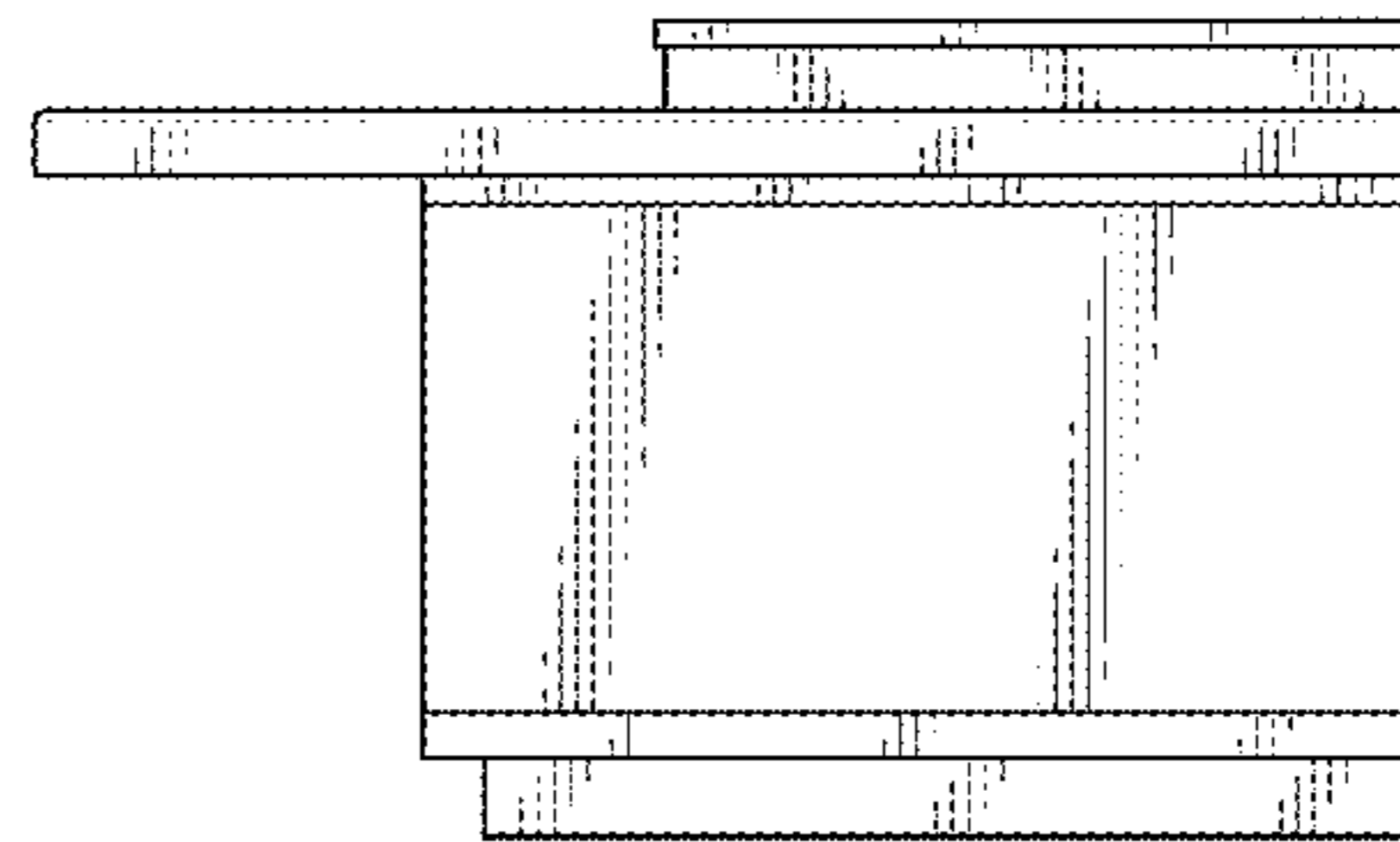


FIG. 6

