



US00D693140S

(12) **United States Design Patent**
Rospierski

(10) **Patent No.:** **US D693,140 S**

(45) **Date of Patent:** **** Nov. 12, 2013**

(54) **DIP TUBE FOR SANITIZATION DISPENSER**

(75) Inventor: **Jeffrey J. Rospierski**, New York, NY
(US)

(73) Assignee: **UltraClenz, LLC**, Jupiter, FL (US)

(**) Term: **14 Years**

(21) Appl. No.: **29/415,651**

(22) Filed: **Mar. 13, 2012**

(51) **LOC (9) Cl.** **23-02**

(52) **U.S. Cl.**
USPC **D6/545**

(58) **Field of Classification Search**
USPC D6/542-545; 221/208, 282, 283;
222/105, 173, 180, 181.1, 181.2,
222/181.3, 325, 207

See application file for complete search history.

(56) **References Cited**

U.S. PATENT DOCUMENTS

5,501,372 A * 3/1996 Daansen 222/207
D370,814 S * 6/1996 Daansen D6/545
D404,950 S * 2/1999 Burch D6/545

D443,453 S * 6/2001 Kauzlarich et al. D6/545
D496,202 S * 9/2004 Hansen D6/545
D564,817 S * 3/2008 Ophardt et al. D6/545
D599,501 S * 9/2009 Dawkins D6/545
D602,292 S * 10/2009 Hsu D6/545

* cited by examiner

Primary Examiner — Brian N Vinson

(74) *Attorney, Agent, or Firm* — Lucas & Mercanti, LLP;
Peter J. Phillips

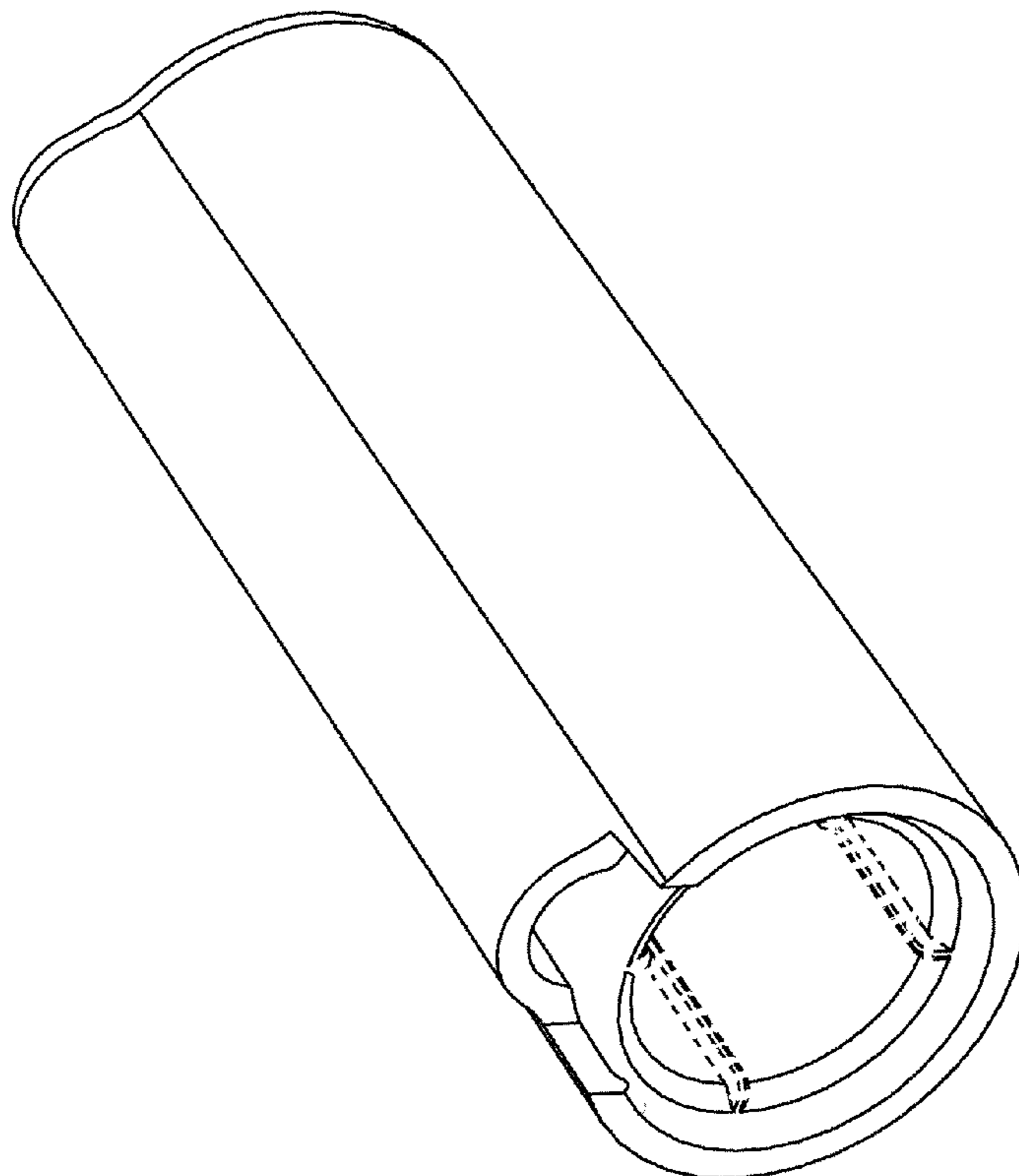
(57) **CLAIM**

The ornamental design for a dip tube for sanitization dispenser, as shown and described.

DESCRIPTION

FIG. 1 is a top perspective view of a dip tube for sanitization dispenser showing my new design;
FIG. 2 is a bottom view thereof;
FIG. 3 is a front view thereof;
FIG. 4 is a side view thereof;
FIG. 5 is a top view thereof; and,
FIG. 6 is a bottom view thereof.
The broken-line disclosure is understood to represent portions of the tube which form no part of the claimed design.

1 Claim, 6 Drawing Sheets



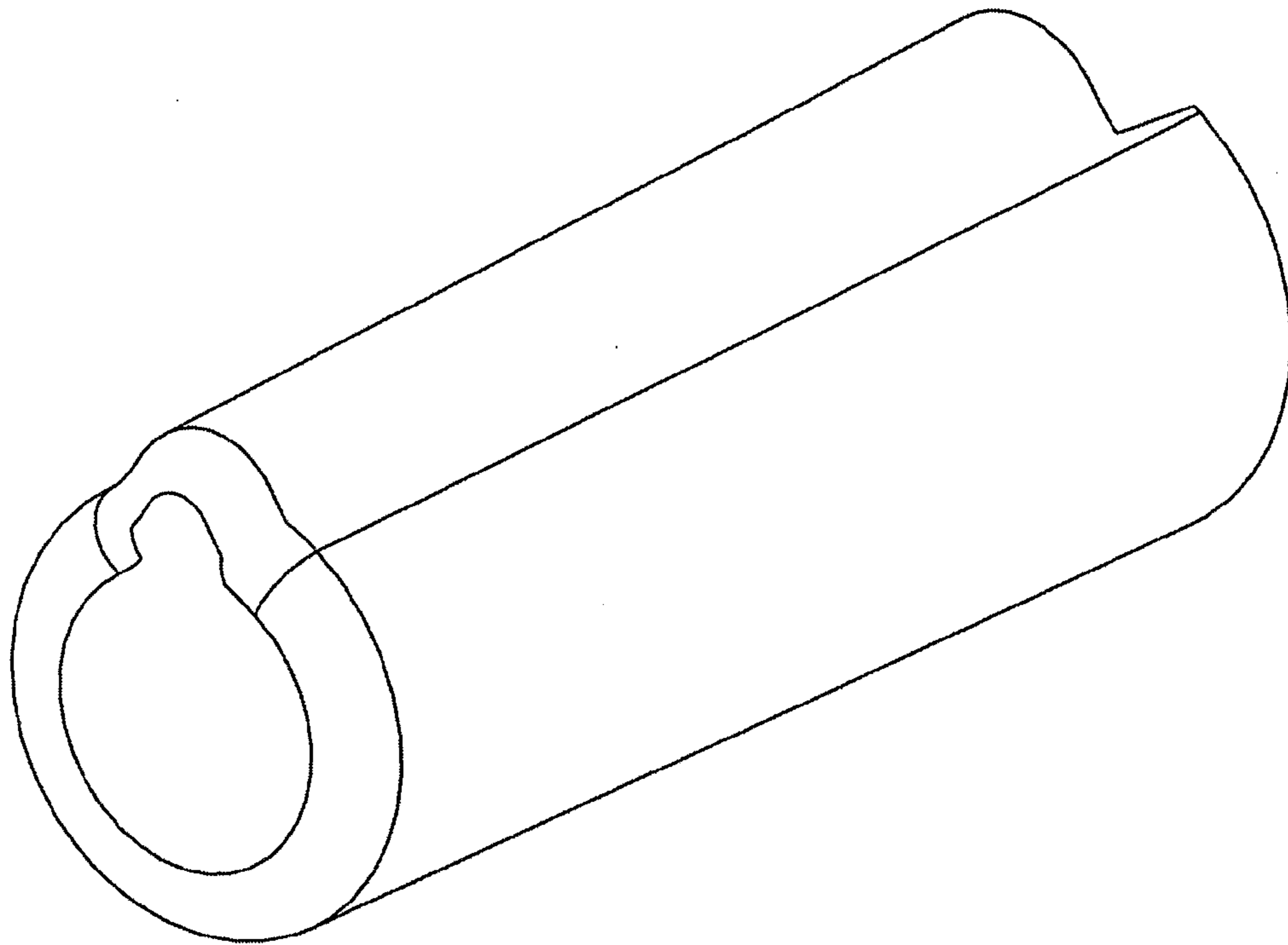


FIGURE 1

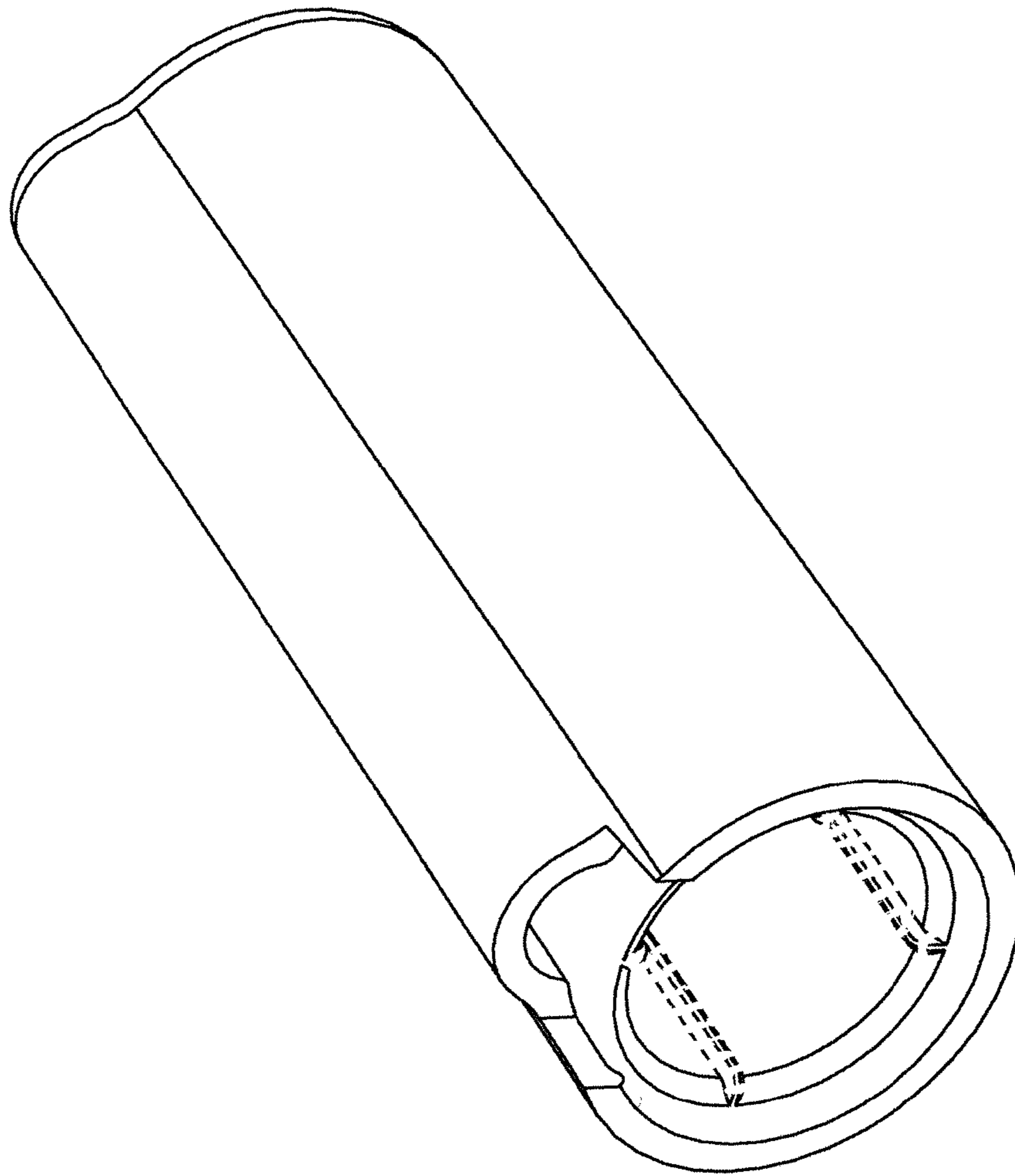


FIGURE 2

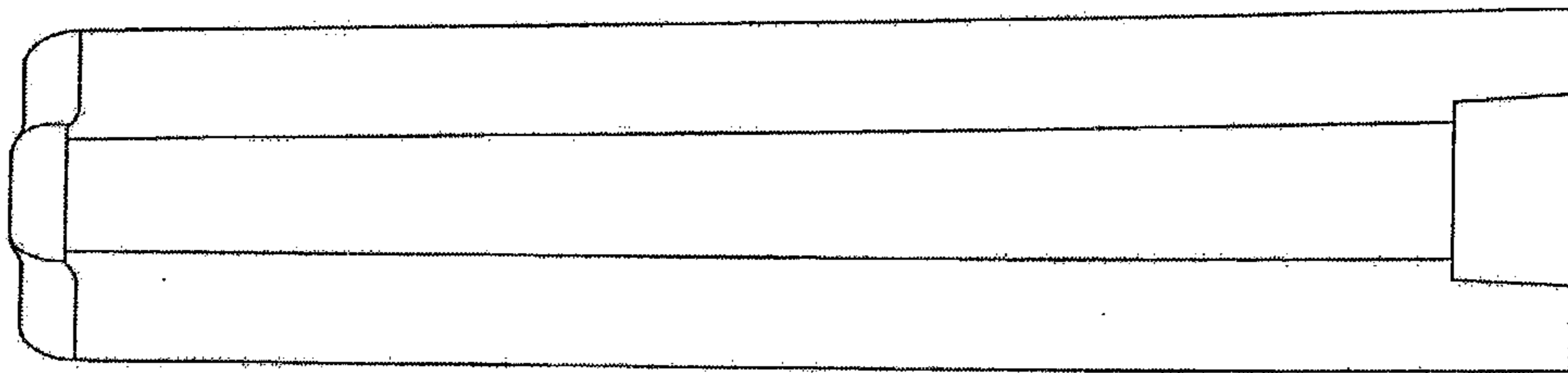


FIGURE 3

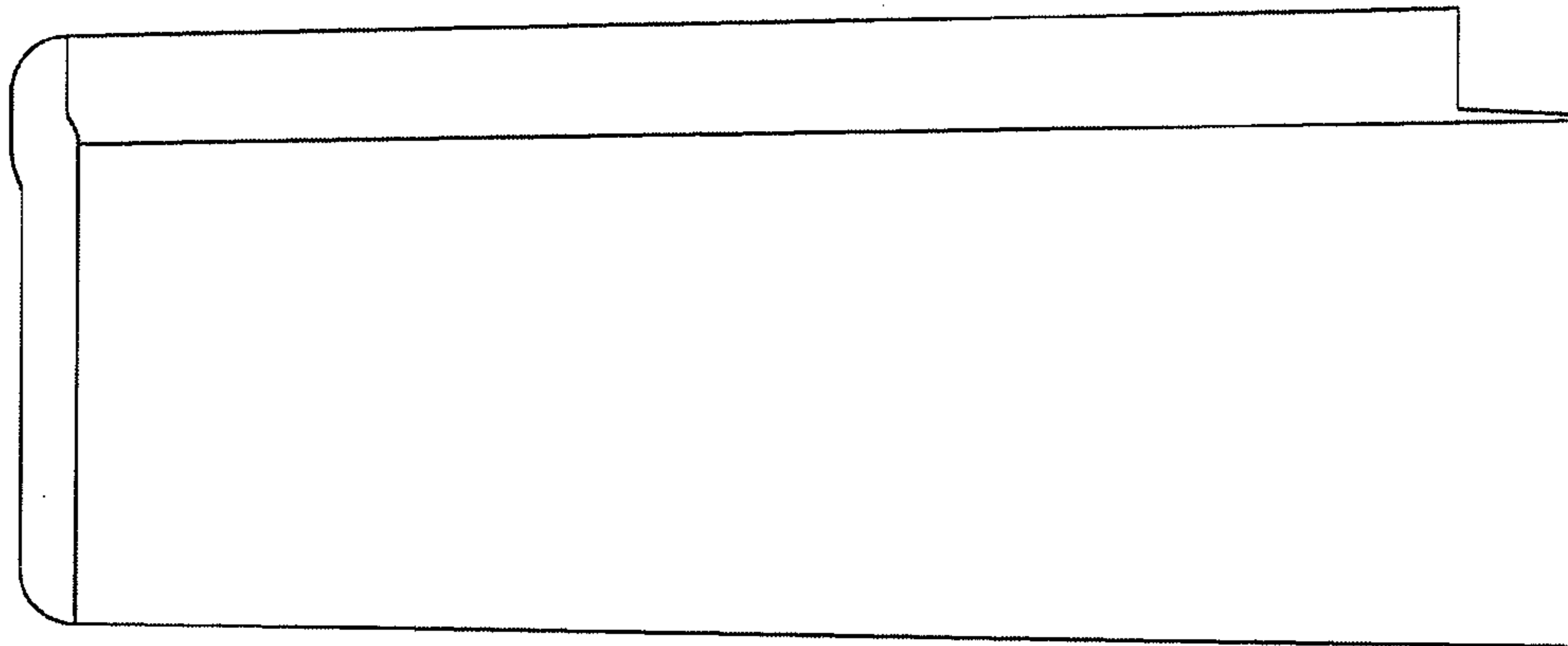


FIGURE 4

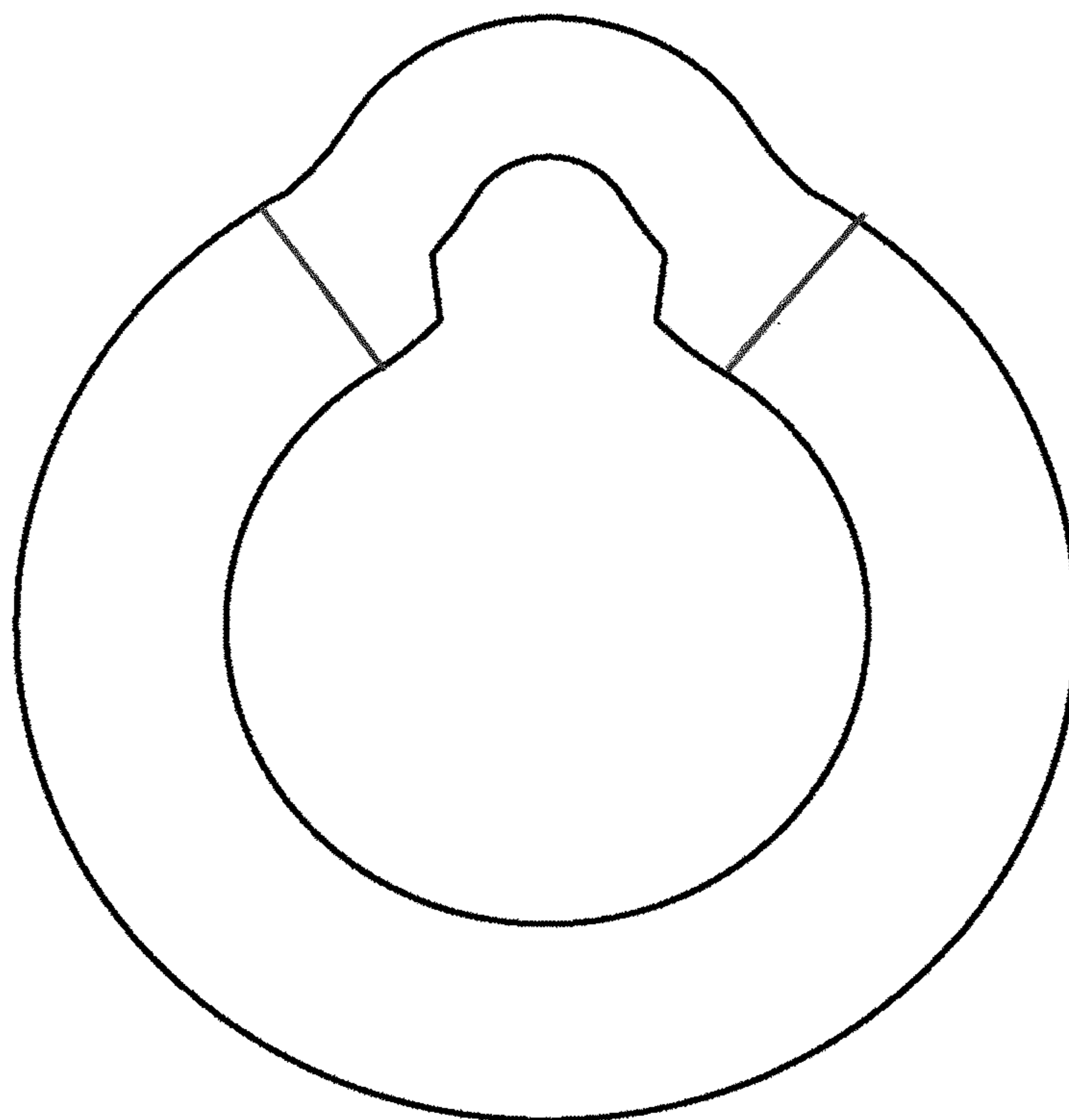


FIGURE 5

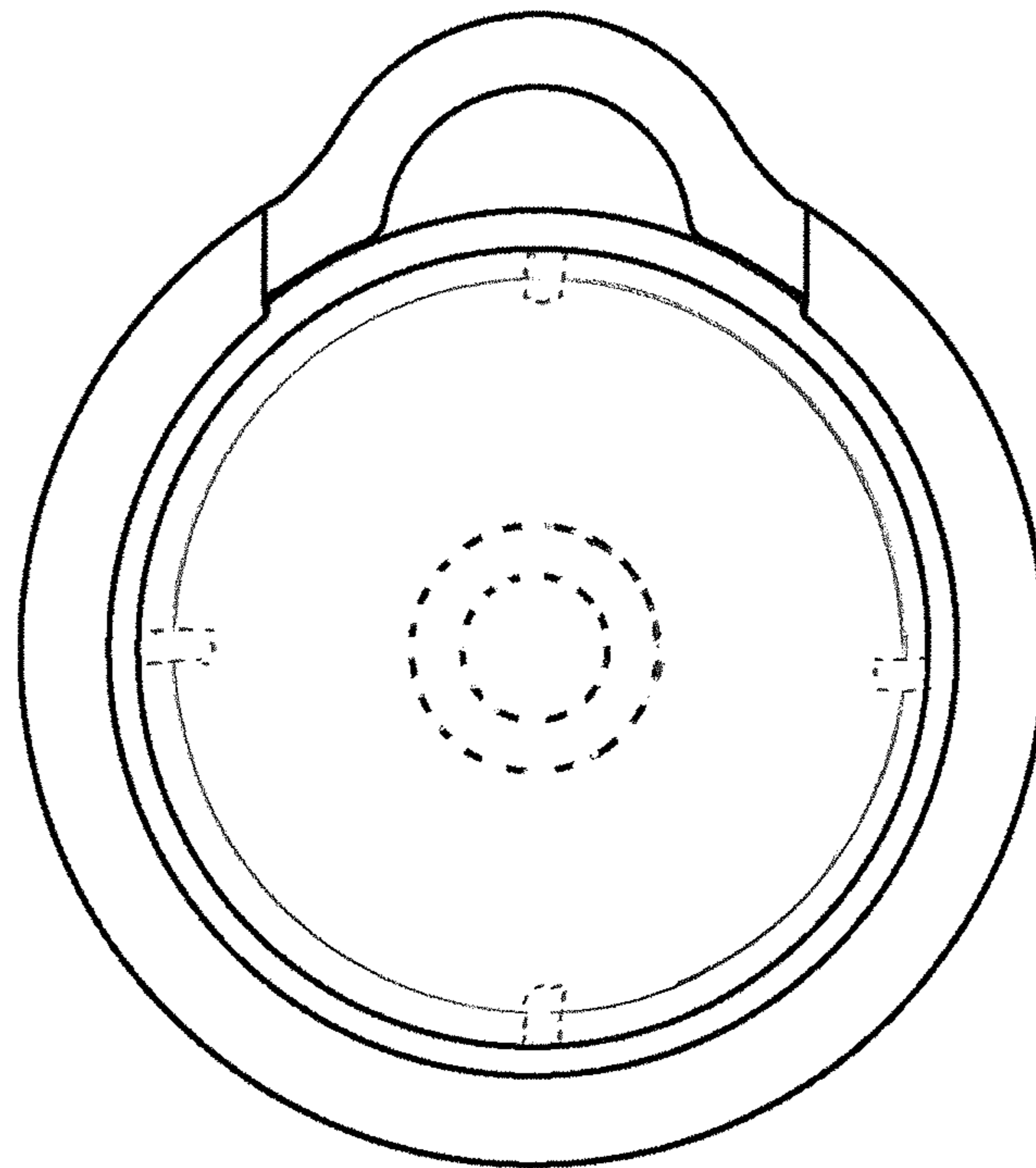


FIGURE 6