

US00D693136S

(12) **United States Design Patent**
Lee

(10) **Patent No.:** **US D693,136 S**
(45) **Date of Patent:** **** Nov. 12, 2013**

(54) **FURNITURE ARTICLE**

(71) Applicant: **Lawrence K. Lee**, Houston, TX (US)

(72) Inventor: **Lawrence K. Lee**, Houston, TX (US)

(**) Term: **14 Years**

(21) Appl. No.: **29/433,518**

(22) Filed: **Oct. 1, 2012**

(51) **LOC (9) Cl.** **06-01**

(52) **U.S. Cl.**
USPC **D6/349**

(58) **Field of Classification Search**
USPC D6/335, 340, 344, 349-355, 495,
D6/500-502, 362, 374, 601; 297/16.1,
297/175, 187, 195.1, 423.1, 423.11, 423.14,
297/423.16, 461, 462

See application file for complete search history.

(56) **References Cited**

U.S. PATENT DOCUMENTS

D106,780 S *	11/1937	Bentz	D6/352
D111,608 S *	10/1938	Kipp	D6/352
D141,379 S *	5/1945	Panzer	D6/352
4,206,570 A *	6/1980	Cooper	47/71
D285,872 S *	9/1986	Massonnet	D6/352
D346,703 S *	5/1994	Grosfillex	D6/349
D366,772 S *	2/1996	Pasin	D6/363
D371,463 S *	7/1996	Cohan et al.	D6/349
6,749,265 B1 *	6/2004	Wang	297/440.1

OTHER PUBLICATIONS

Round Seat Blue Color Metal Tolix Chair (SM-1025D). [online] Retrieved online Mar. 7, 2013 from URL: <<http://saimeisurniture.en.made-in-china.com/product/XKemBwobfEcQ/China-Round-Seat->>.*

Powder Coating Round Tolix Chair. [online] Retrieved online Mar. 7, 2013 from URL: <http://lasaimei.en.alibaba.com/product/685740953-0/powder_coating_round_tolix_chair.html>.*

* cited by examiner

Primary Examiner — Susan Bennett Hattan

Assistant Examiner — Vy Koenig

(57) **CLAIM**

The ornamental design for a furniture article, as shown and described.

DESCRIPTION

FIG. 1 is an upper perspective view of the furniture article showing my design.

FIG. 2 is a front view thereof, rear and side views being identical;

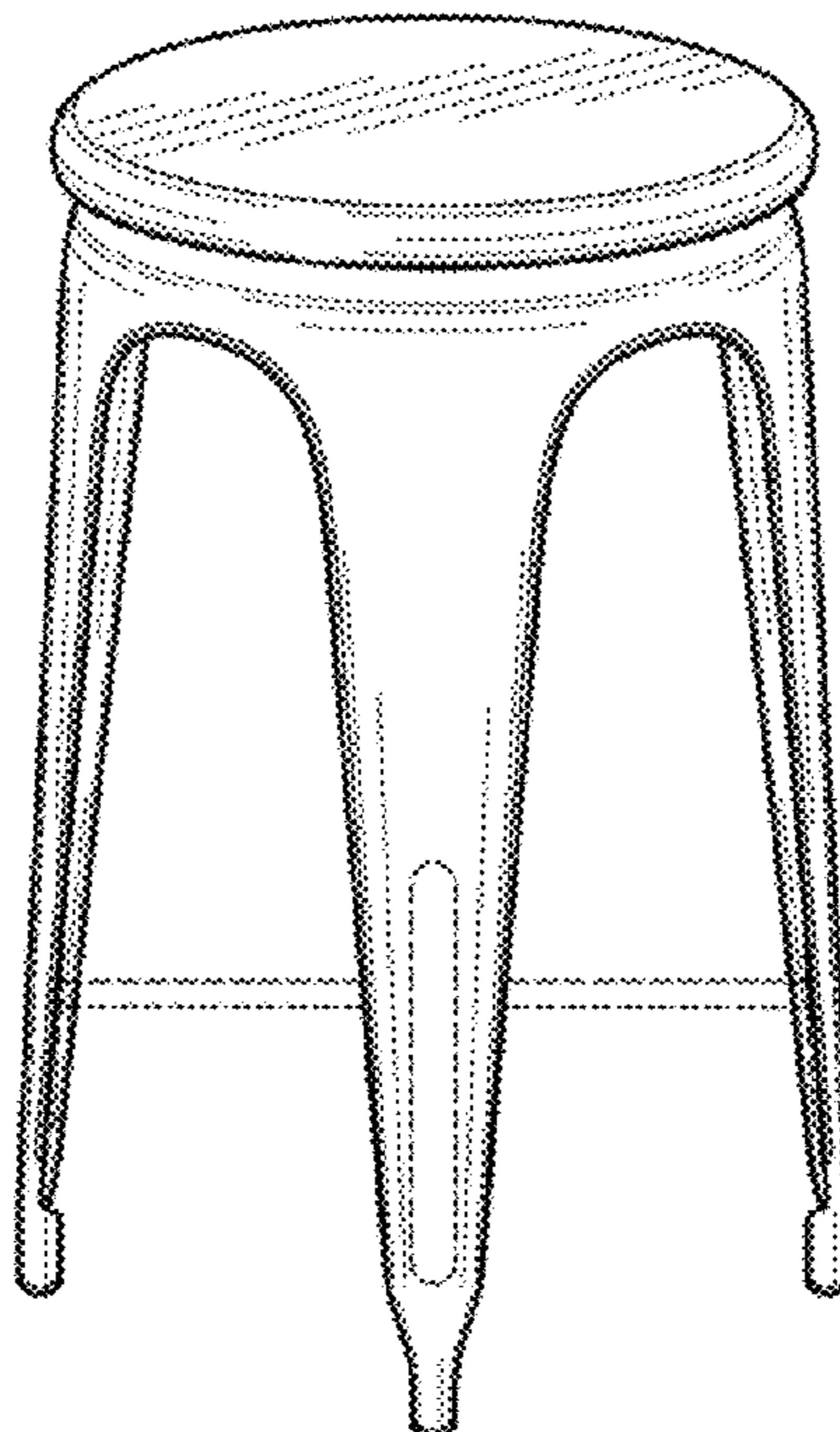
FIG. 3 is a corner view thereof;

FIG. 4 is a top view thereof; and,

FIG. 5 is a bottom view thereof.

The broken lines shown in the figures show environmental features that form no part of the claimed design.

1 Claim, 2 Drawing Sheets



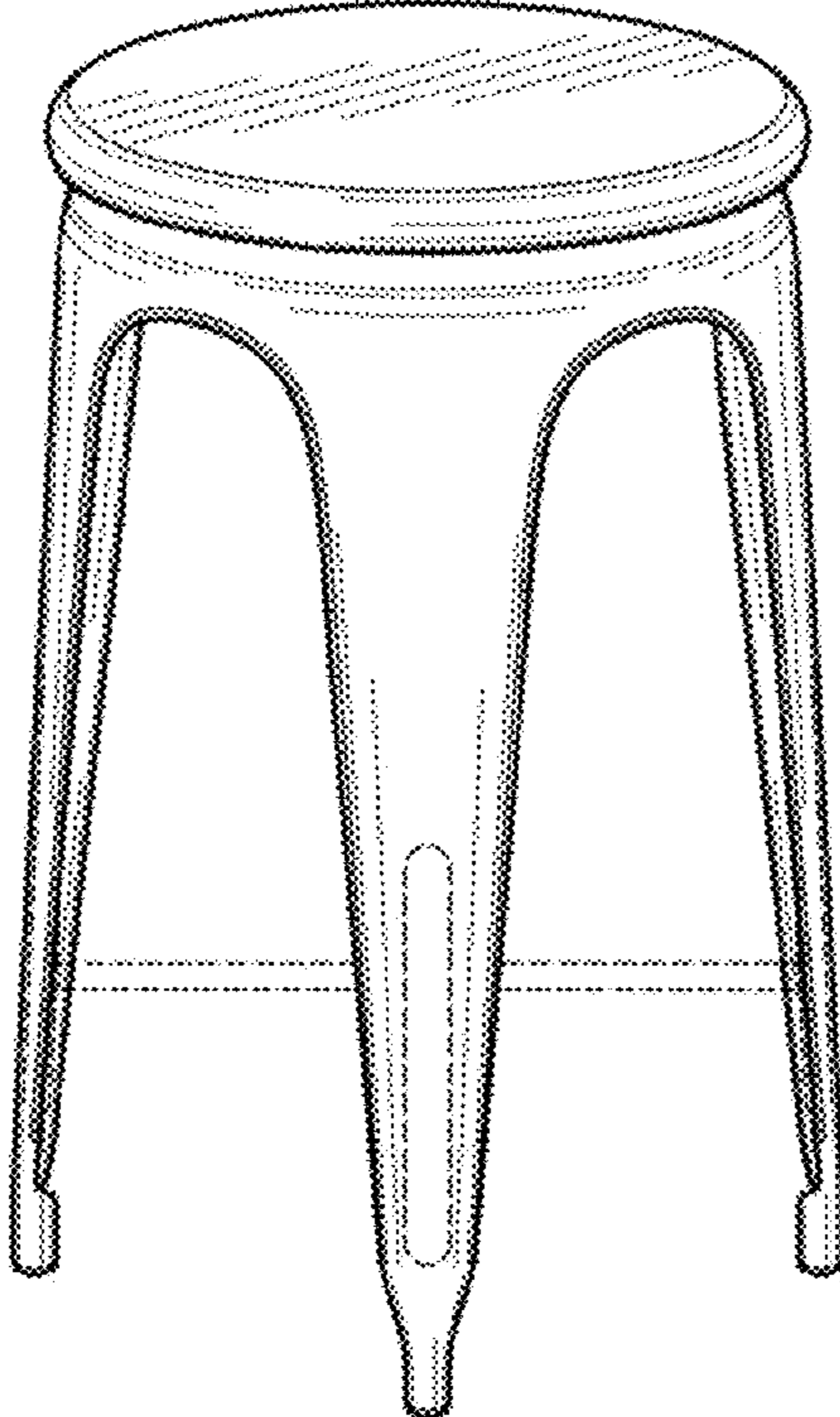


FIG. 1

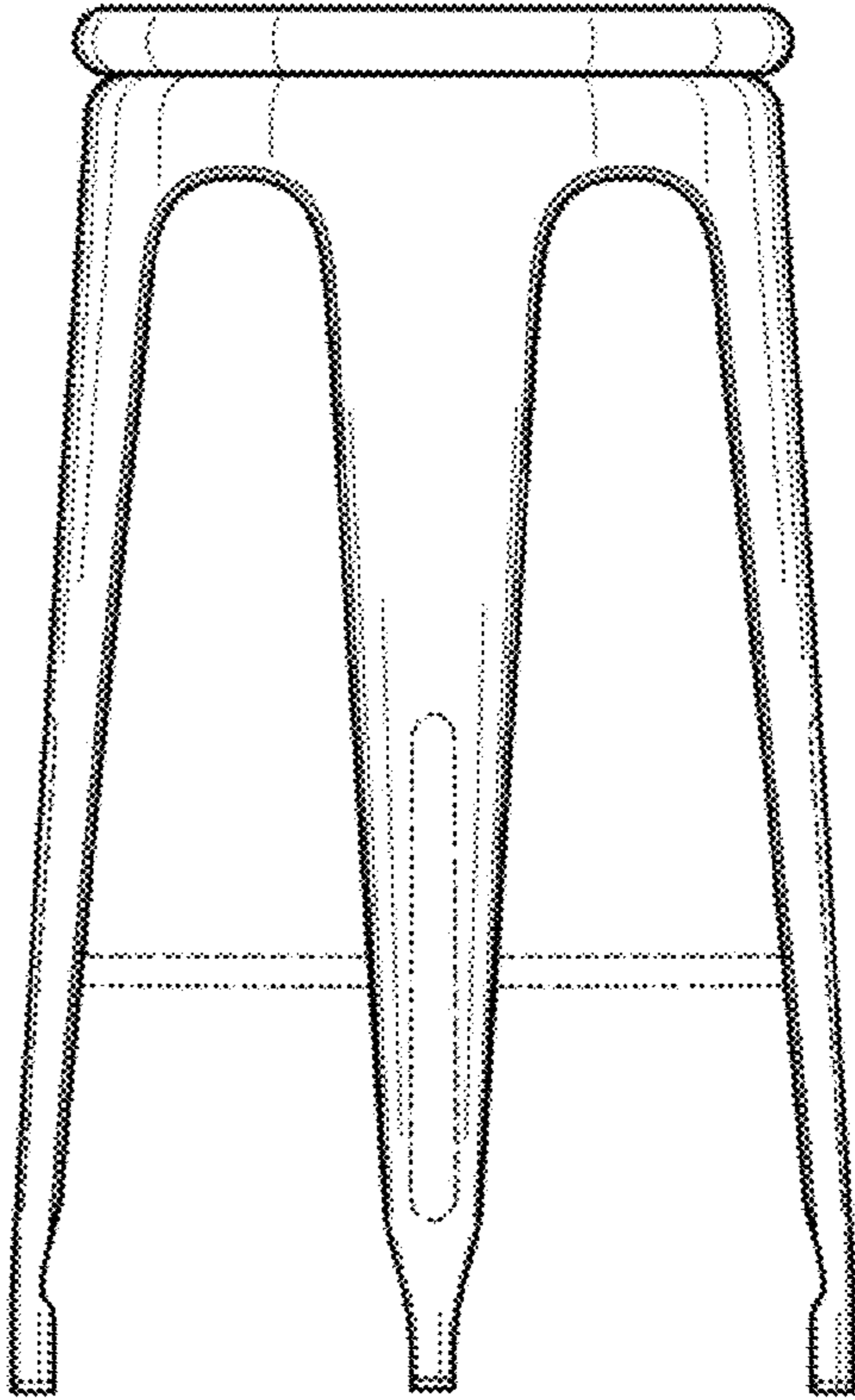


FIG. 2

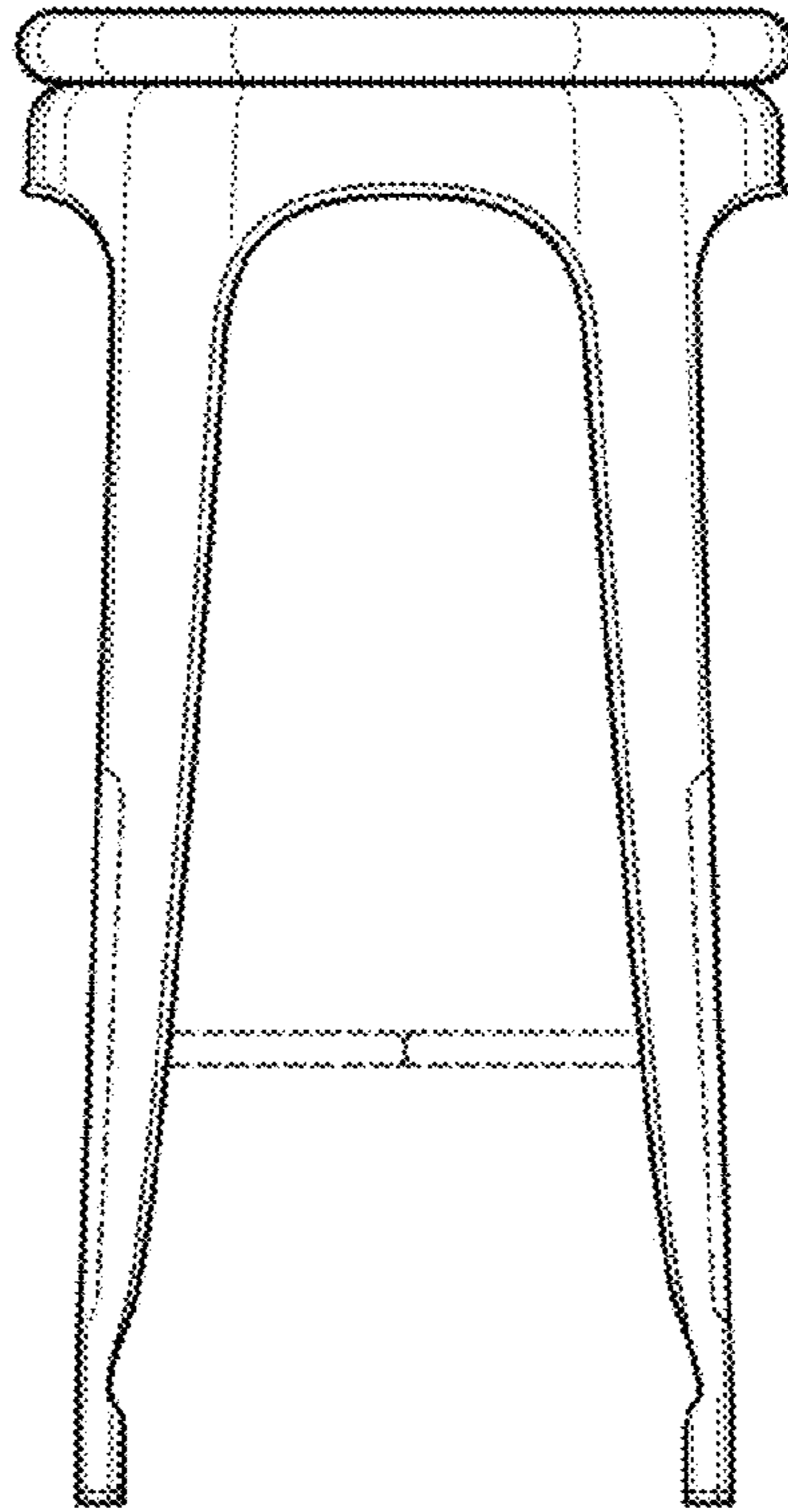


FIG. 3

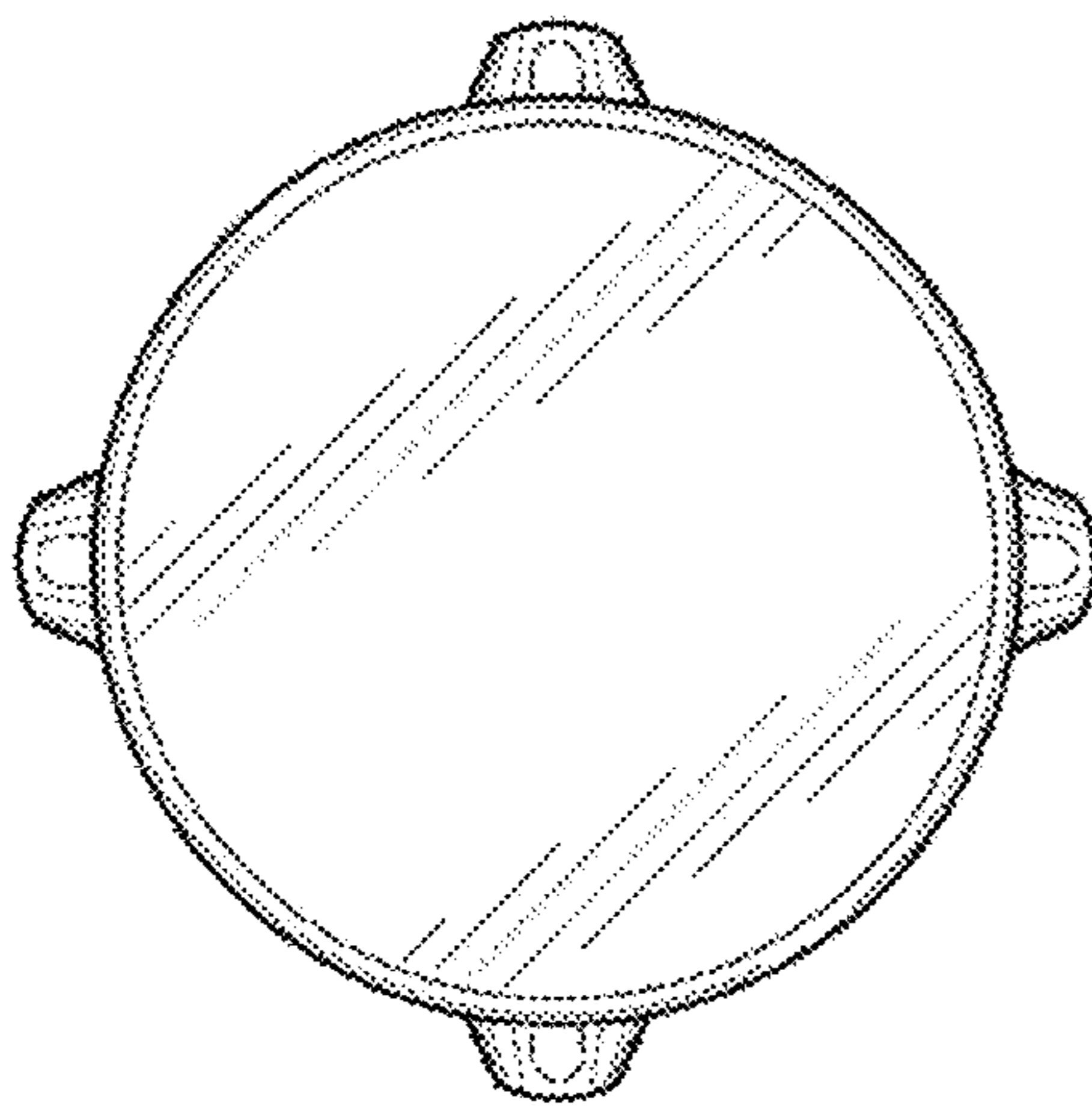


FIG. 4

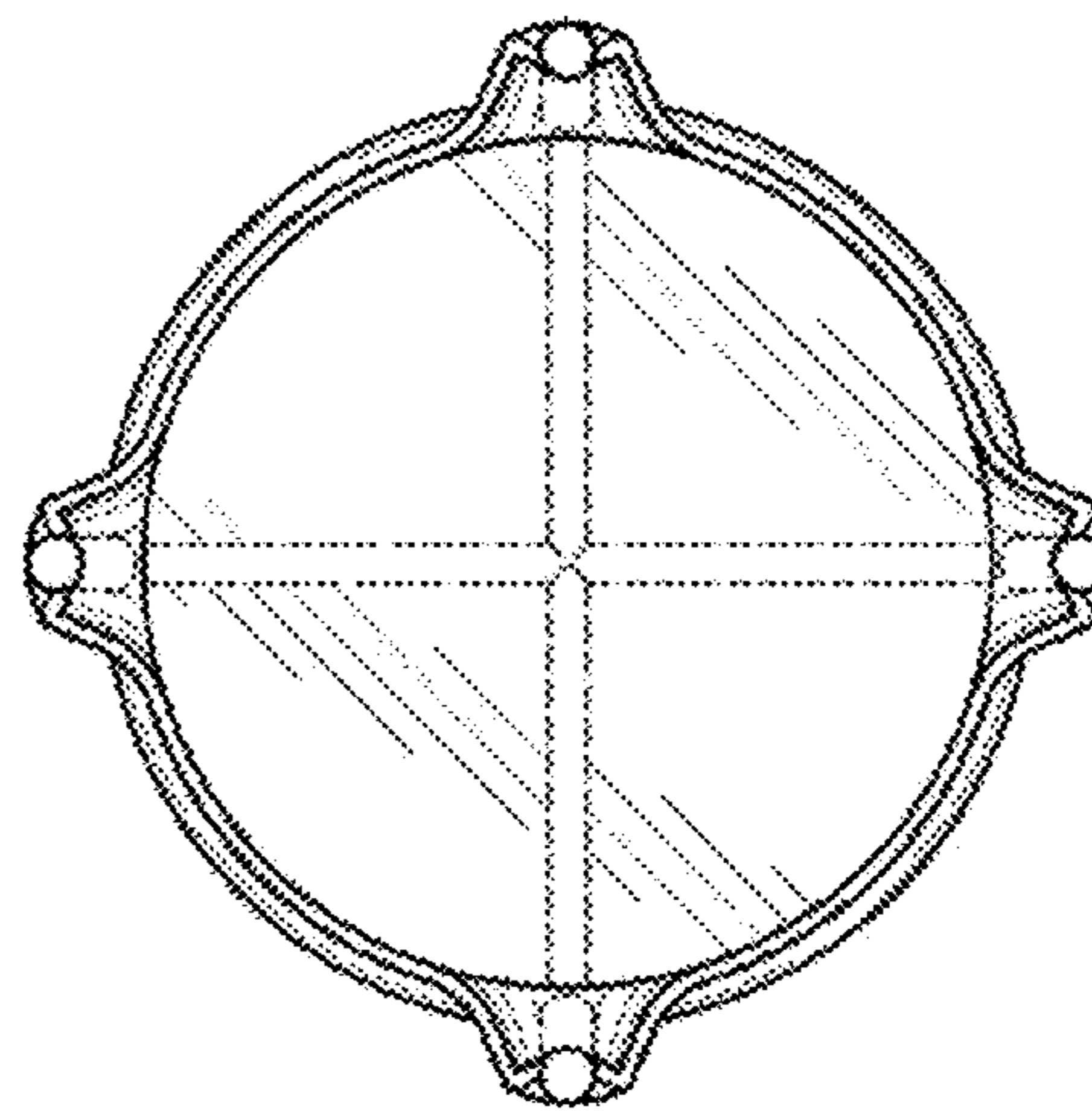


FIG. 5