



US00D693133S

(12) **United States Design Patent**  
**Weeder et al.**

(10) **Patent No.:** **US D693,133 S**  
(45) **Date of Patent:** **\*\* Nov. 12, 2013**

(54) **BABY SEAT**

(71) Applicants: **Rebecca A. Weeder**, Lindsey, NE (US);  
**Edward M. Weeder**, Lindsey, NE (US)

(72) Inventors: **Rebecca A. Weeder**, Lindsey, NE (US);  
**Edward M. Weeder**, Lindsey, NE (US)

(\*\*) Term: **14 Years**

(21) Appl. No.: **29/441,186**

(22) Filed: **Jan. 2, 2013**

(51) **LOC (9) Cl.** ..... **06-01**

(52) **U.S. Cl.**  
USPC ..... **D6/333**

(58) **Field of Classification Search**  
USPC ..... D6/333-335, 344, 339, 702, 716,  
D6/716.1-716.7; 4/572.1, 571.1, 578.1,  
4/586, 590; 297/183.1-183.4, 184.13,  
297/184.17, 256.1, 467, 487, 488, 445.1;  
D21/419, 412; 5/94, 98.2, 103-104,  
5/93.1, 99.1, 101, 98.1, 12.1;  
D12/129-130; 280/30-31

See application file for complete search history.

(56) **References Cited**

U.S. PATENT DOCUMENTS

D283,855 S *	5/1986	Kujawski .....	D6/333
D348,309 S *	6/1994	Freese et al. ....	D23/303
D419,311 S *	1/2000	Maggeni et al. ....	D6/333
D553,865 S *	10/2007	Buitendach .....	D6/333
D573,800 S *	7/2008	Backstrom et al. ....	D6/333
D627,172 S *	11/2010	LaRoche et al. ....	D6/333
D652,221 S *	1/2012	Lee .....	D6/333
D675,034 S *	1/2013	Beda et al. ....	D6/333

\* cited by examiner

*Primary Examiner* — Caron D Veynar

*Assistant Examiner* — Abraham Bahta

(74) *Attorney, Agent, or Firm* — Dennis L. Thomte; Thomte  
Patent Law Office LLC

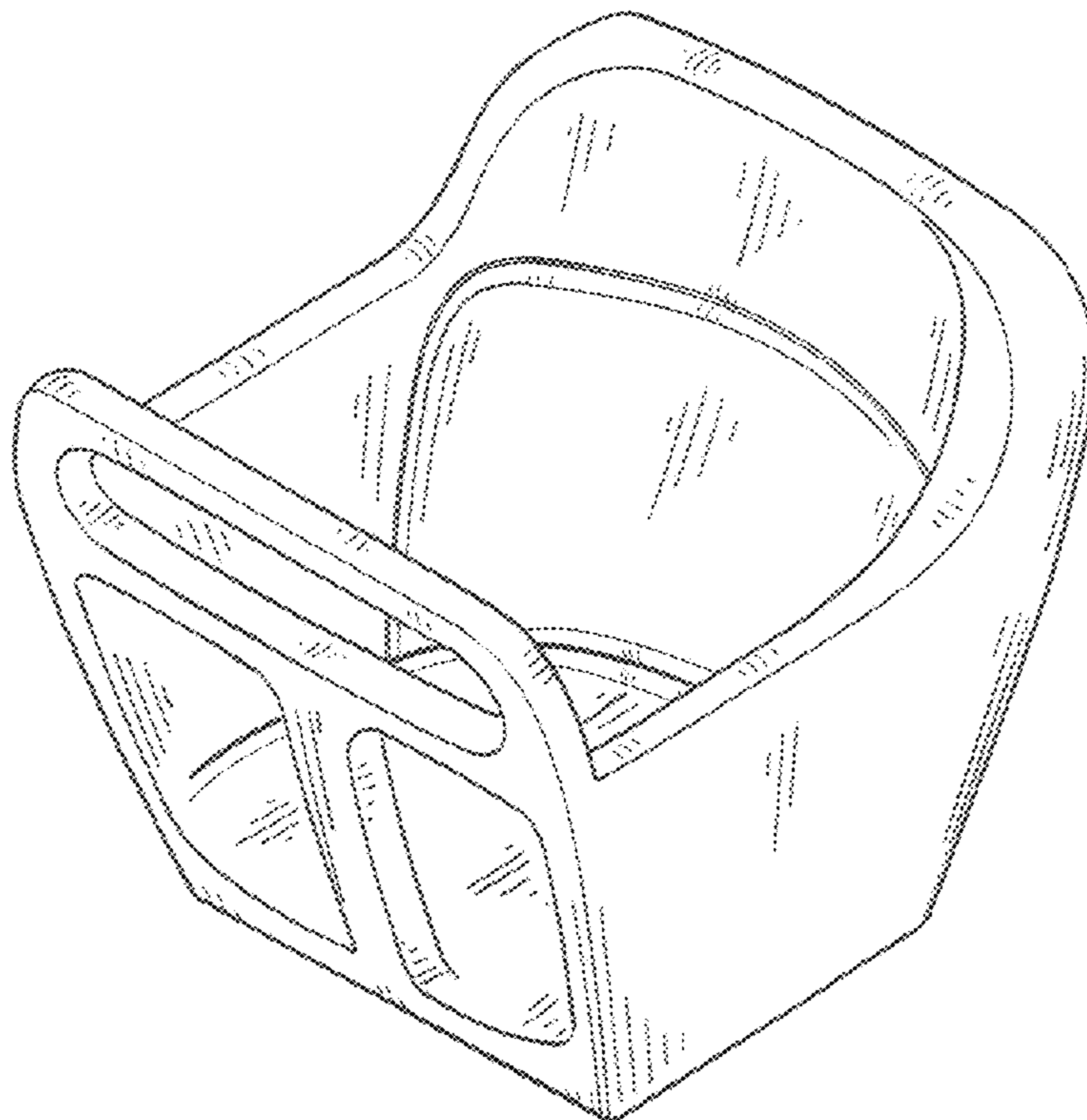
(57) **CLAIM**

The ornamental design for a baby seat, as shown and  
described.

**DESCRIPTION**

FIG. 1 is a perspective view of the baby seat of this invention;  
FIG. 2 is a front view of the baby seat of this invention;  
FIG. 3 is a back view of the baby seat of this invention;  
FIG. 4 is a side view of the baby seat of this invention;  
FIG. 5 is a side view of the baby seat of this invention;  
FIG. 6 is a top view of the baby seat of this invention; and,  
FIG. 7 is a bottom view of the baby seat of this invention.

**1 Claim, 3 Drawing Sheets**



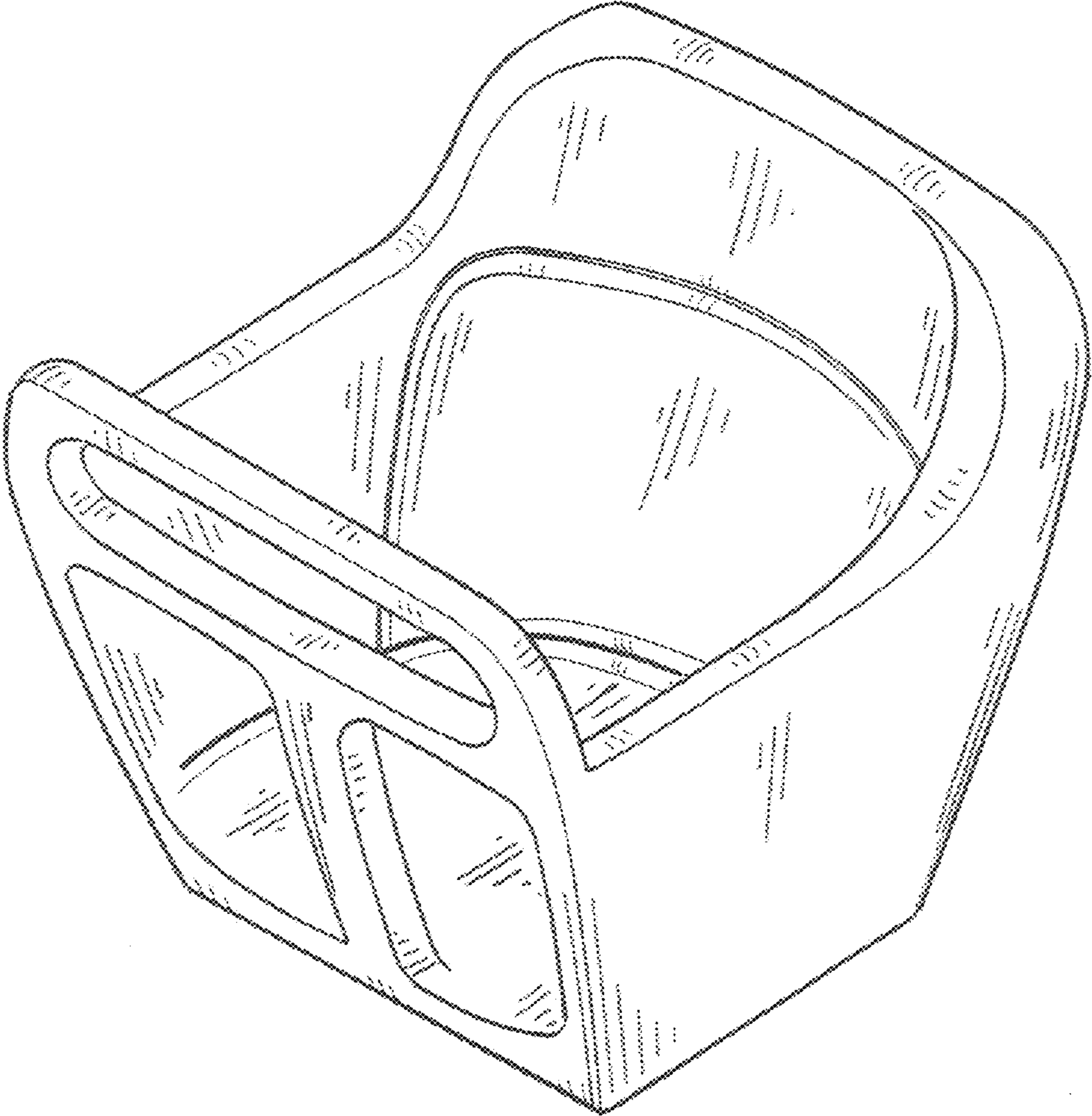


FIG. 1

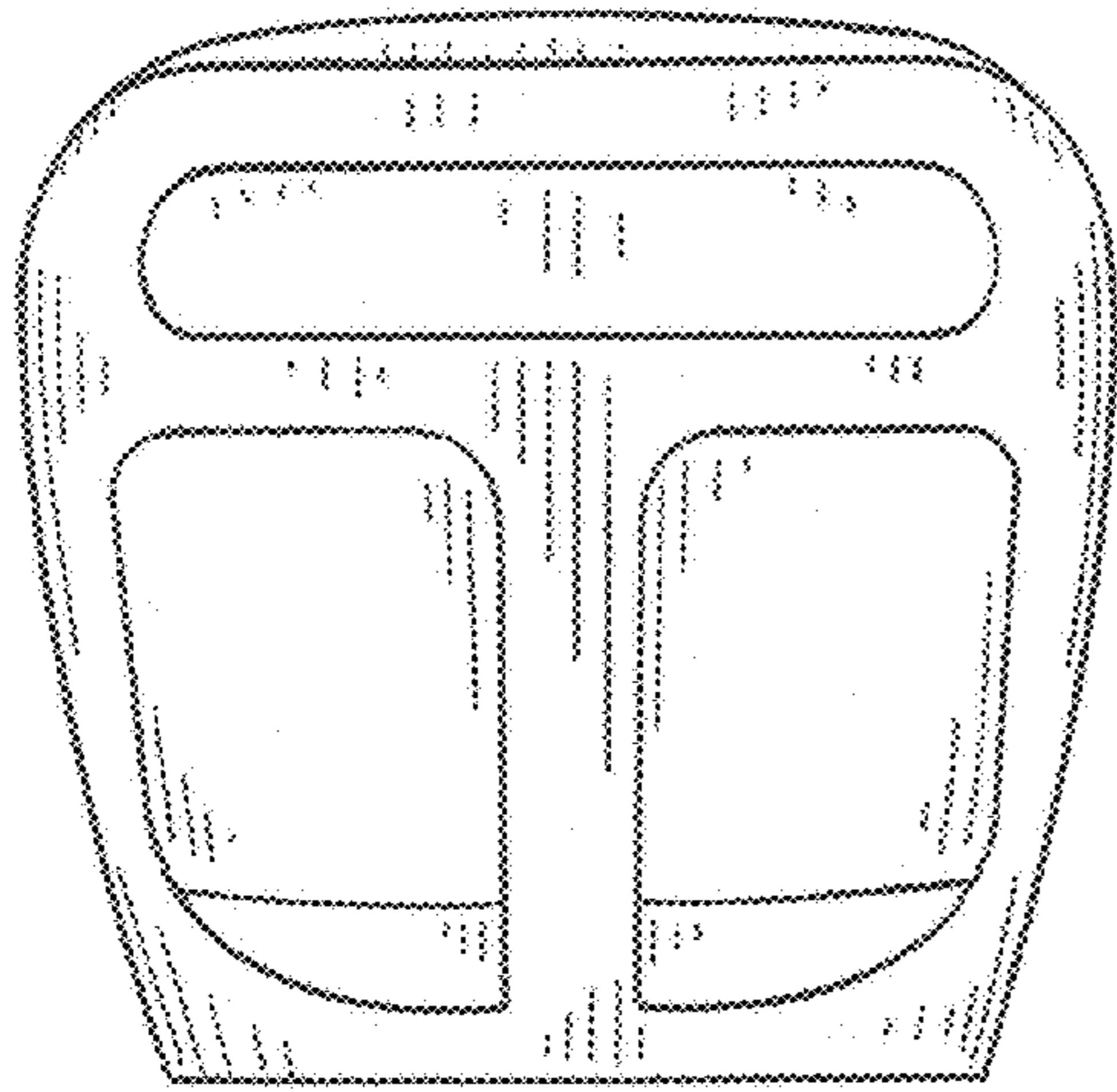


FIG. 2

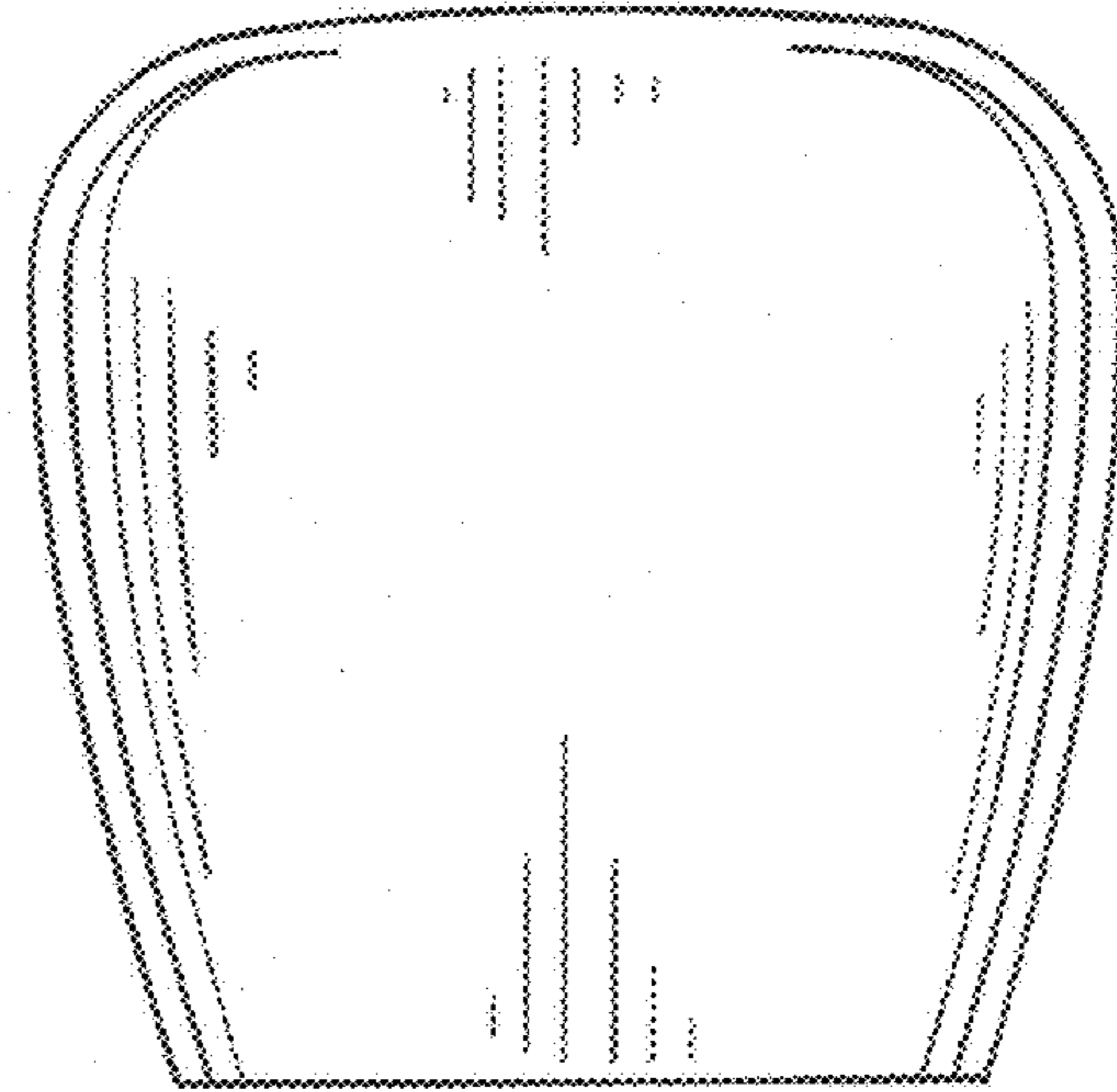


FIG. 3

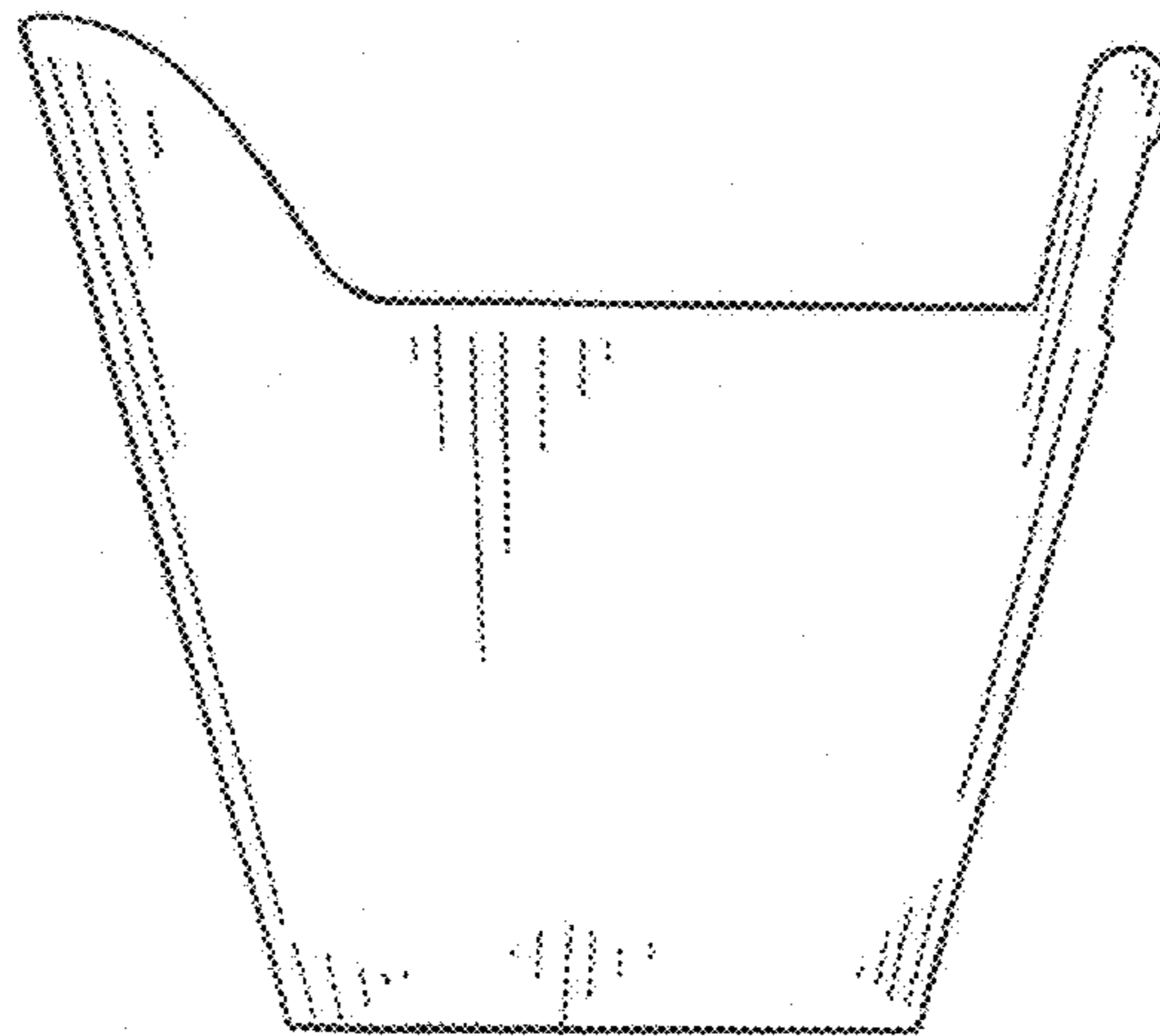


FIG. 4

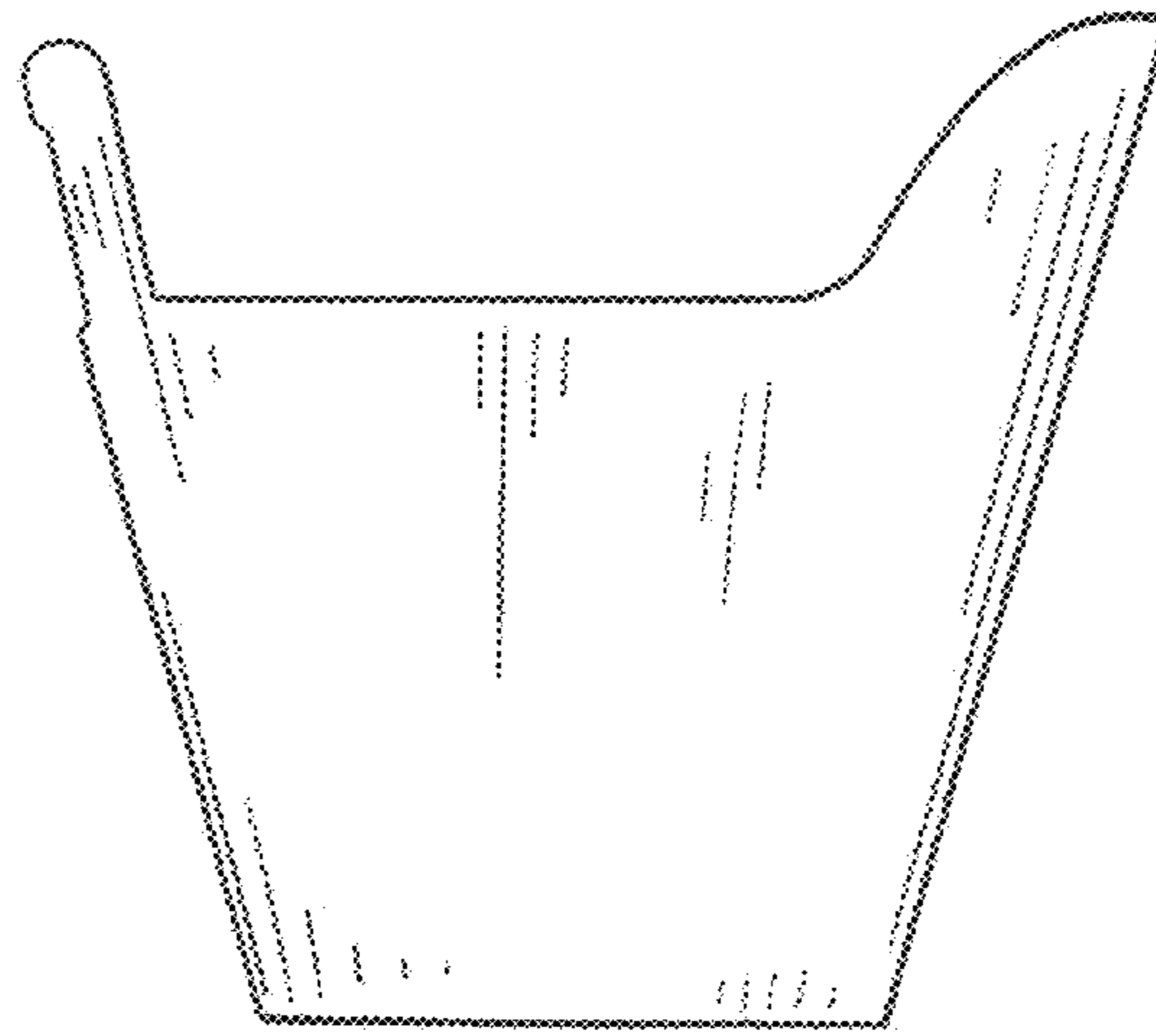


FIG. 5

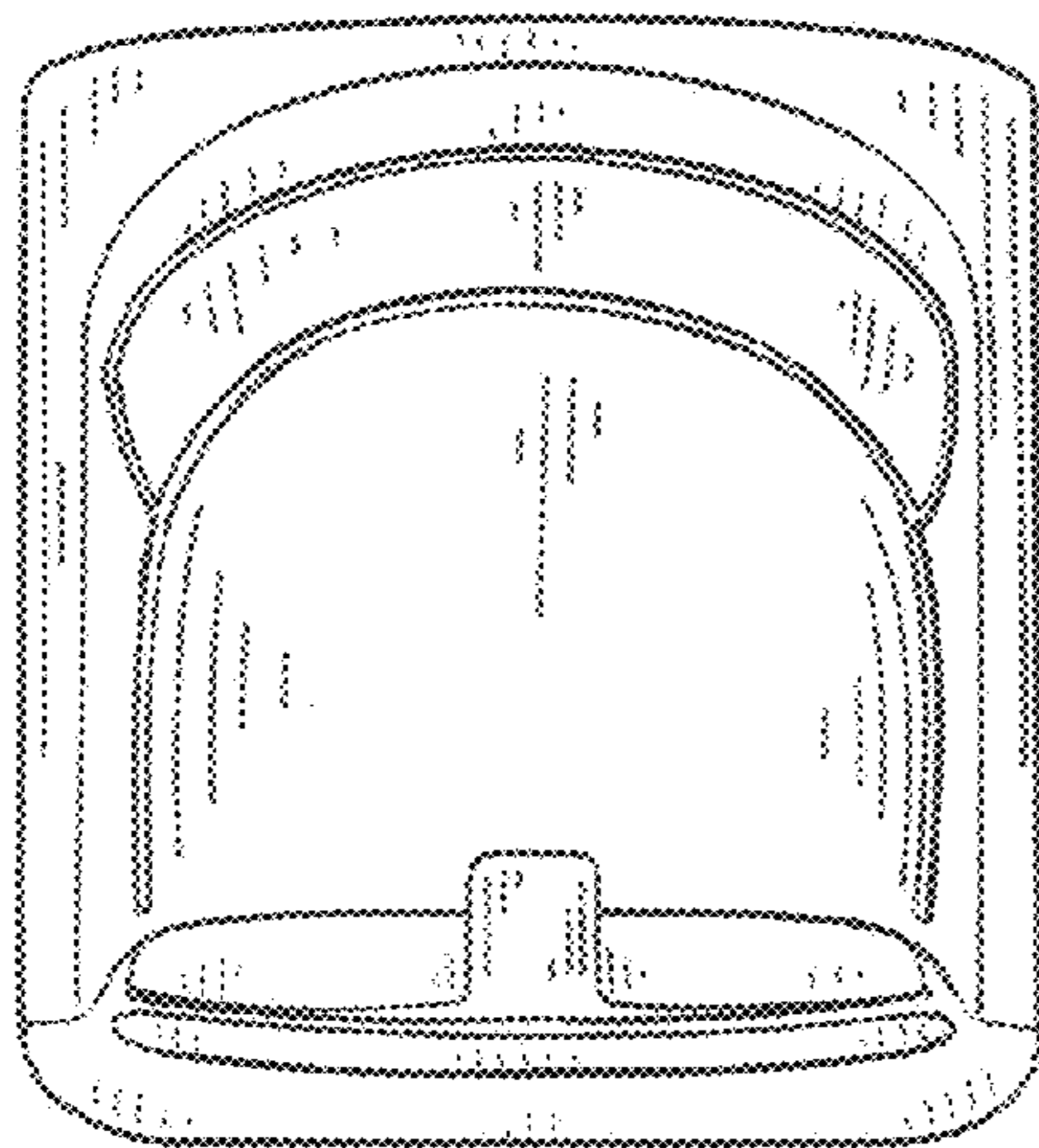


FIG. 6

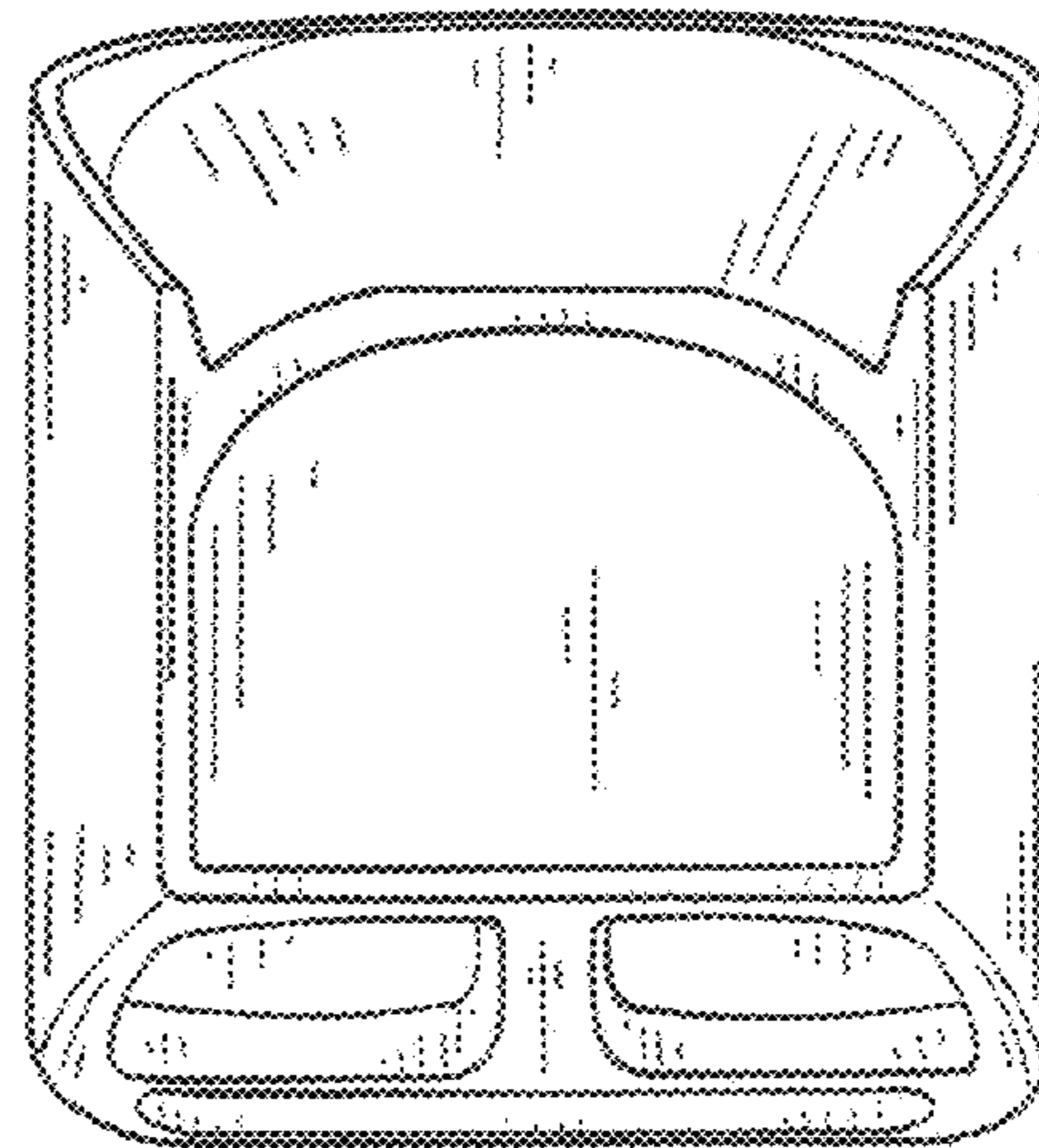


FIG. 7

UNITED STATES PATENT AND TRADEMARK OFFICE  
**CERTIFICATE OF CORRECTION**

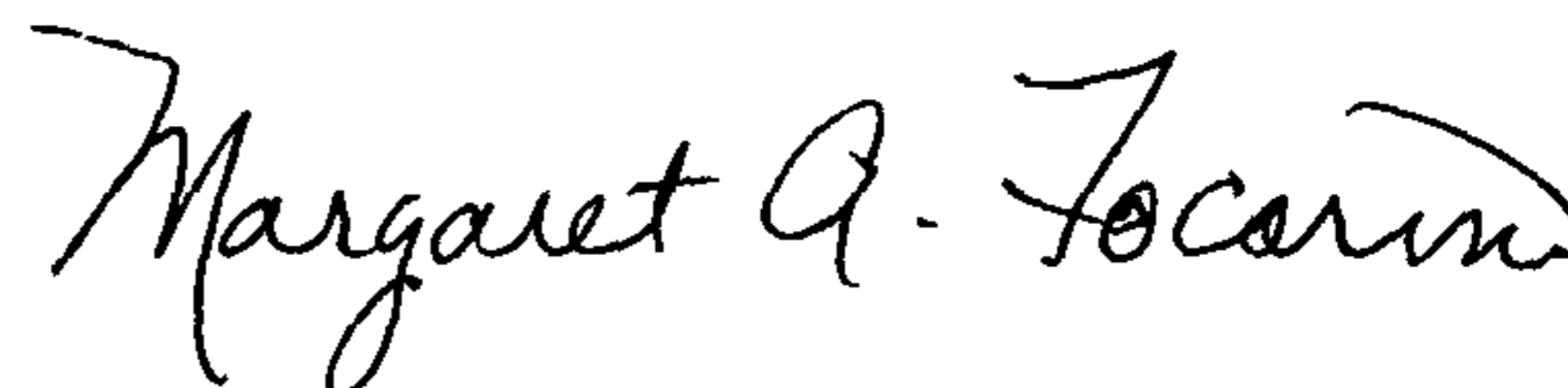
PATENT NO. : D693,133 S  
APPLICATION NO. : 29/441186  
DATED : November 12, 2013  
INVENTOR(S) : Rebecca A. Weeder and Edward M. Weeder

Page 1 of 1

It is certified that error appears in the above-identified patent and that said Letters Patent is hereby corrected as shown below:

Title Page, Item (75), the Inventor's residence city address is misspelled. The correct spelling of the city is "Lindsay" as shown on the actual Patent Application.

Signed and Sealed this  
Thirty-first Day of December, 2013



Margaret A. Focarino  
*Commissioner for Patents of the United States Patent and Trademark Office*