

US00D693128S

(12) **United States Design Patent**
Williams et al.

(10) **Patent No.:** **US D693,128 S**
(45) **Date of Patent:** **** Nov. 12, 2013**

- (54) **BOTTLE BRUSH**
- (75) Inventors: **Evan Williams**, Hoboken, NJ (US);
Charles Renz, Briarcliff Manor, NY (US)
- (73) Assignee: **Playtex Products, Inc.**, Shelton, CT (US)
- (**) Term: **14 Years**
- (21) Appl. No.: **29/427,526**
- (22) Filed: **Jul. 19, 2012**
- (51) **LOC (9) Cl.** **04-02**
- (52) **U.S. Cl.**
USPC **D4/128**
- (58) **Field of Classification Search**
USPC D4/128, 129, 131, 136, 138, 108, 109,
D4/119; D32/35, 51; 15/104.5, 104.16,
15/104.2, 104.31, 104.32, 164, 165, 206;
D28/65; D7/682; 452/298, 458
See application file for complete search history.

- D452,080 S * 12/2001 Petner D4/114
- 6,349,443 B1 2/2002 Randolph et al.
- D466,309 S * 12/2002 Fong D4/128
- D489,536 S 5/2004 Dunn
- D489,903 S 5/2004 Dunn
- 6,739,016 B2 * 5/2004 Bigio 15/160
- 7,017,222 B2 3/2006 Dunn
- D524,548 S 7/2006 Hay
- D524,549 S 7/2006 Ajluni et al.
- D537,254 S 2/2007 Miles et al.
- D539,040 S * 3/2007 Hay D4/128
- D550,460 S * 9/2007 Dunn et al. D4/128
- D581,676 S 12/2008 Libman et al.
- D624,755 S * 10/2010 Luis et al. D4/111
- D625,924 S * 10/2010 Juergens D4/128
- D632,485 S * 2/2011 Bigio D4/128
- D639,565 S * 6/2011 Kulik D4/128
- D647,703 S 11/2011 Li
- 2007/0274762 A1 11/2007 Edwards et al.

* cited by examiner

Primary Examiner — Austin Murphy
(74) *Attorney, Agent, or Firm* — Playtex Products, Inc

(57) **CLAIM**
We claim the ornamental design for the bottle brush, as shown and described.

(56) **References Cited**

U.S. PATENT DOCUMENTS

- 2,633,592 A * 4/1953 Meyer 15/206
- 2,762,074 A 9/1956 Fries, Jr.
- 3,130,433 A 4/1964 Eve
- 3,358,311 A 12/1967 Cunningham et al.
- 3,358,314 A 12/1967 Matibag
- 4,023,677 A 5/1977 Wittner et al.
- 4,575,892 A 3/1986 Ross
- 4,809,389 A 3/1989 Breitschmid
- 5,339,480 A 8/1994 Murg et al.
- 5,491,863 A 2/1996 Dunn
- 5,608,938 A 3/1997 Baschenis
- 5,636,400 A 6/1997 Young
- D436,736 S * 1/2001 Bigio D4/128
- 6,202,247 B1 3/2001 Lorenz, Jr.

DESCRIPTION

FIG. 1 is an upper perspective view of a bottle brush.
FIG. 2 is a lower perspective thereof.
FIG. 3 is a front view thereof.
FIG. 4 is a left side view of FIG. 3.
FIG. 5 is a right side view of FIG. 3.
FIG. 6 is a rear view of FIG. 3.
FIG. 7 is a top end view thereof; and,
FIG. 8 is a bottom end view thereof.
The broken lines in the figures depict environmental subject matter only and form no part of the claimed design.

1 Claim, 5 Drawing Sheets





FIG. 1

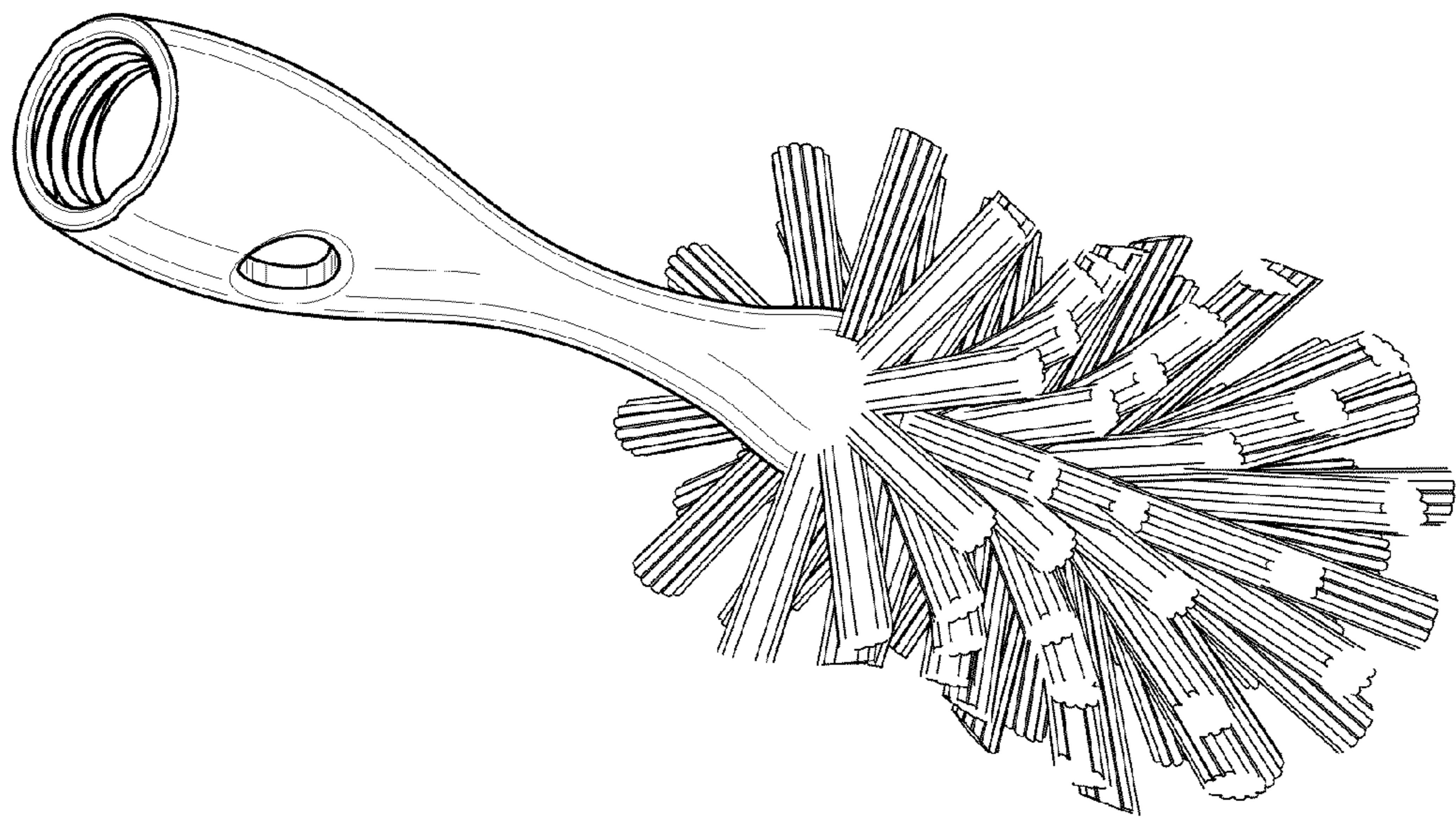


FIG. 2

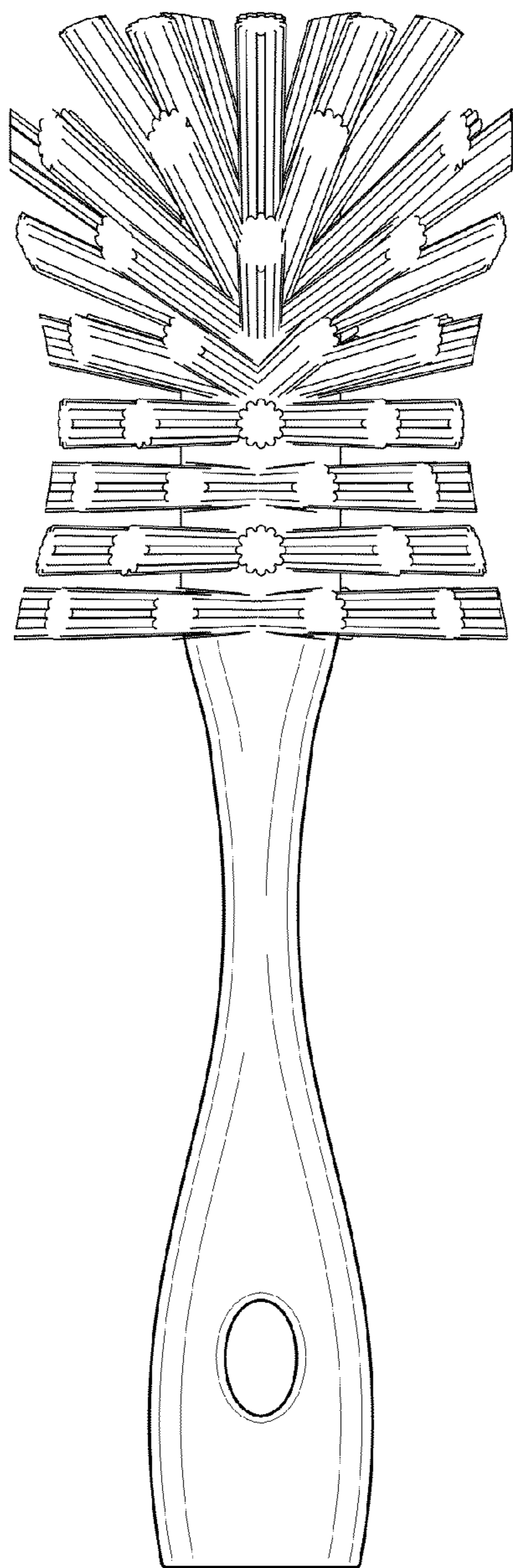


FIG. 3

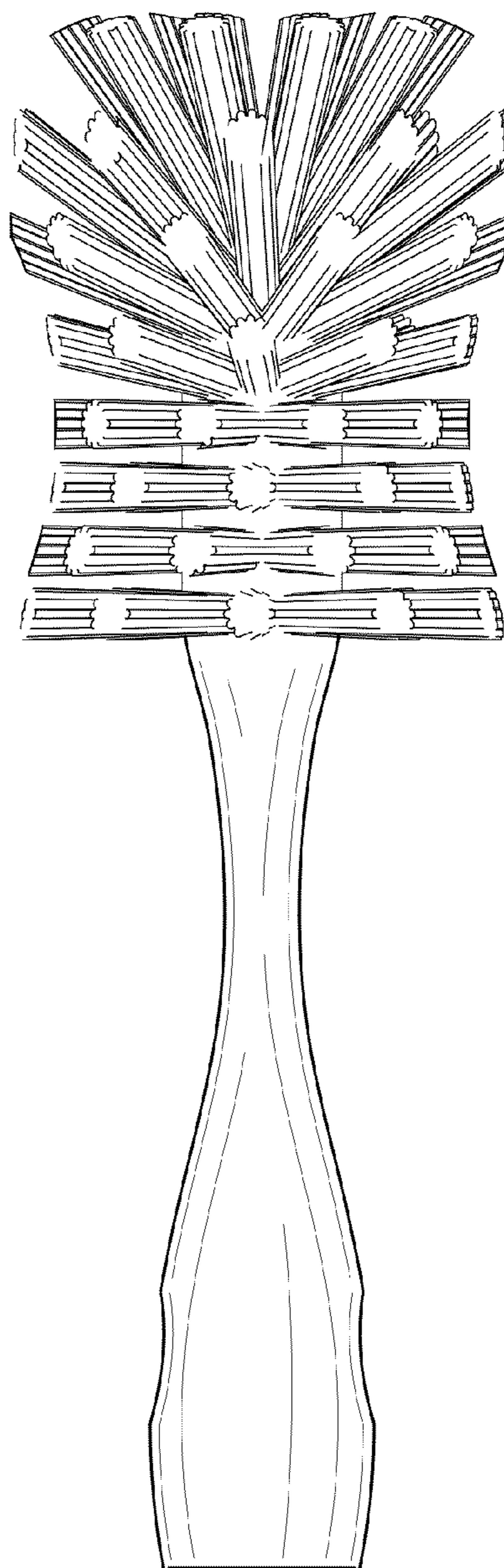


FIG. 4

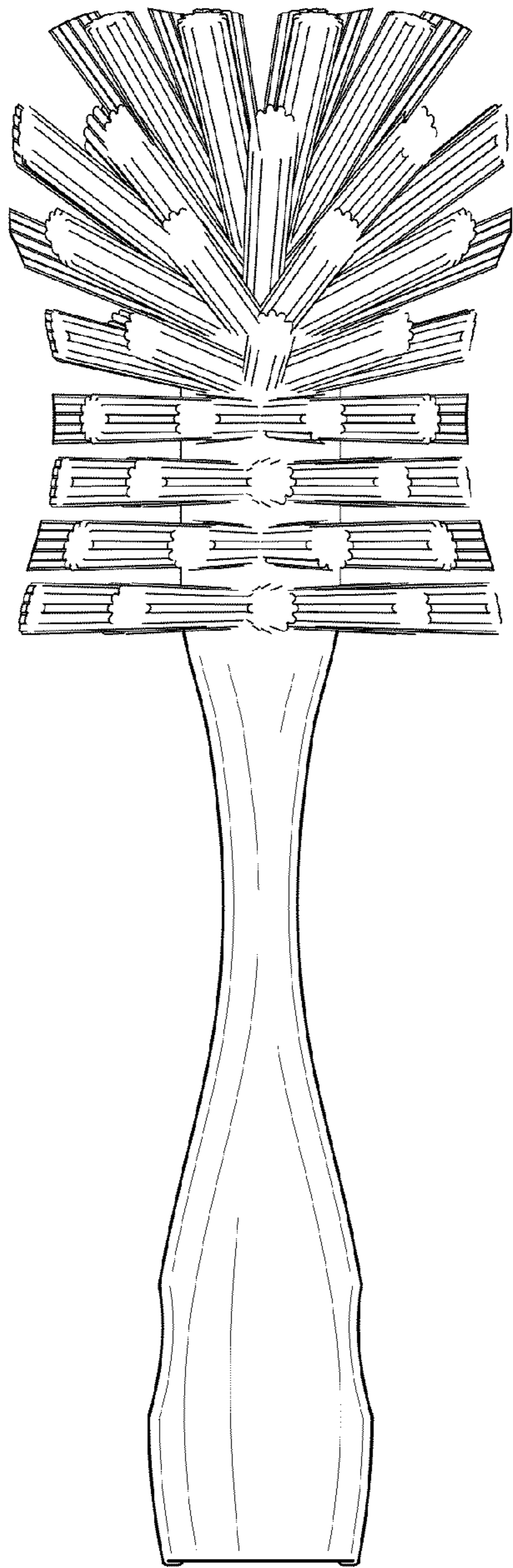


FIG. 5

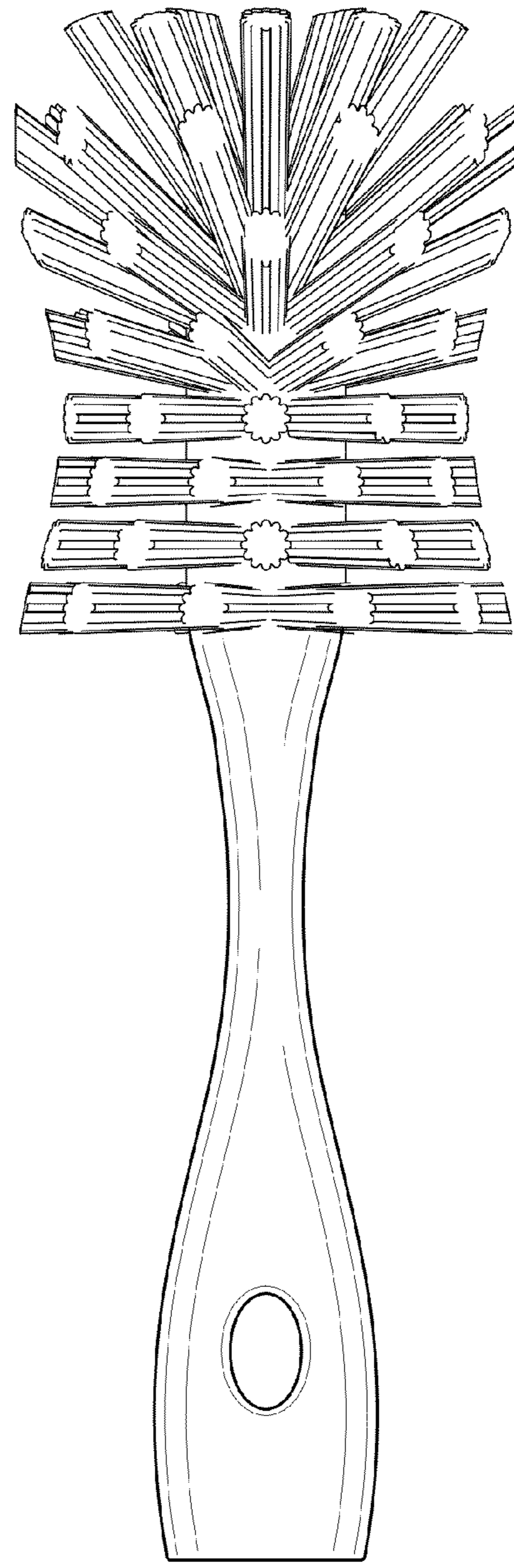


FIG. 6

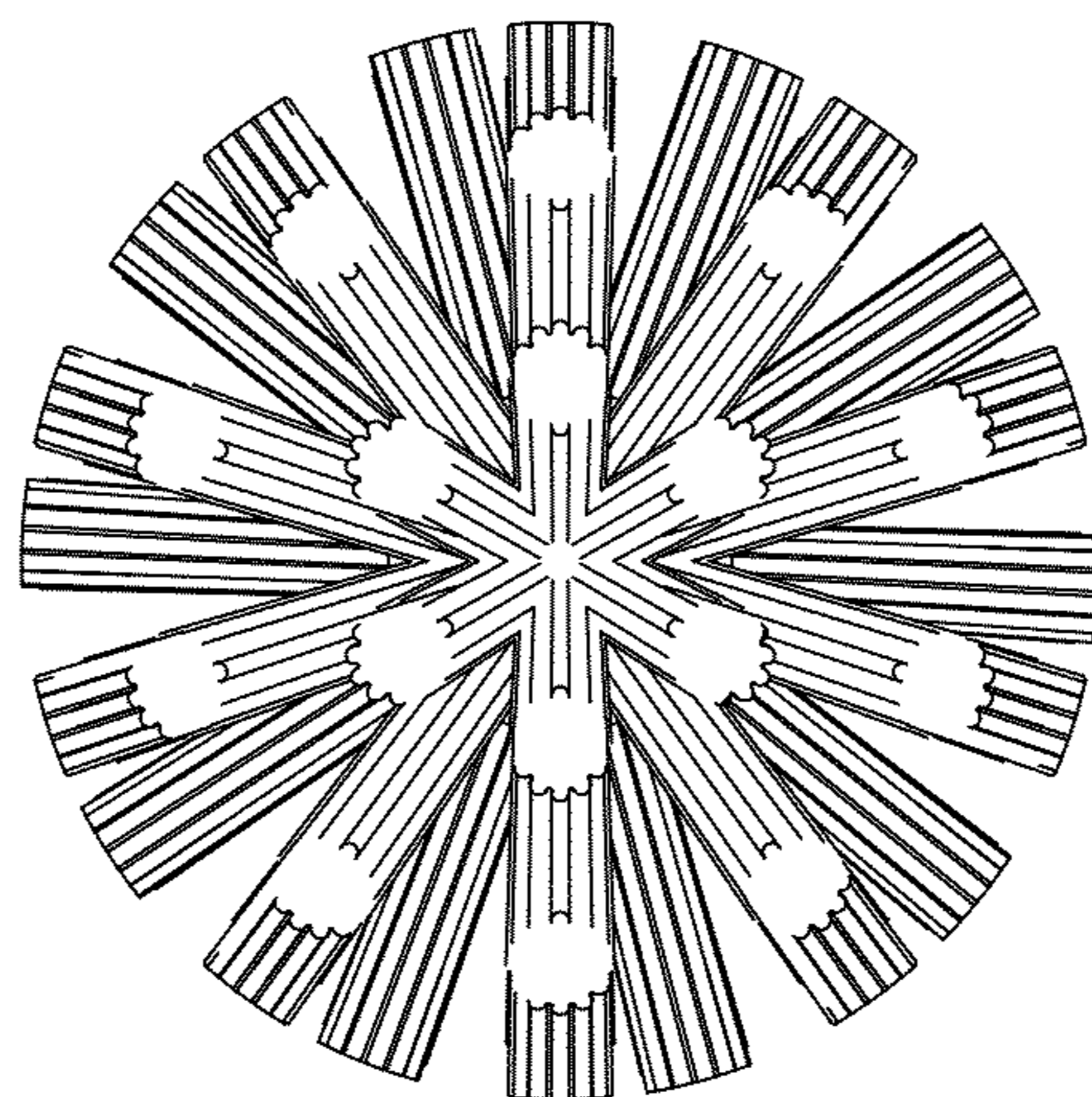


FIG. 7

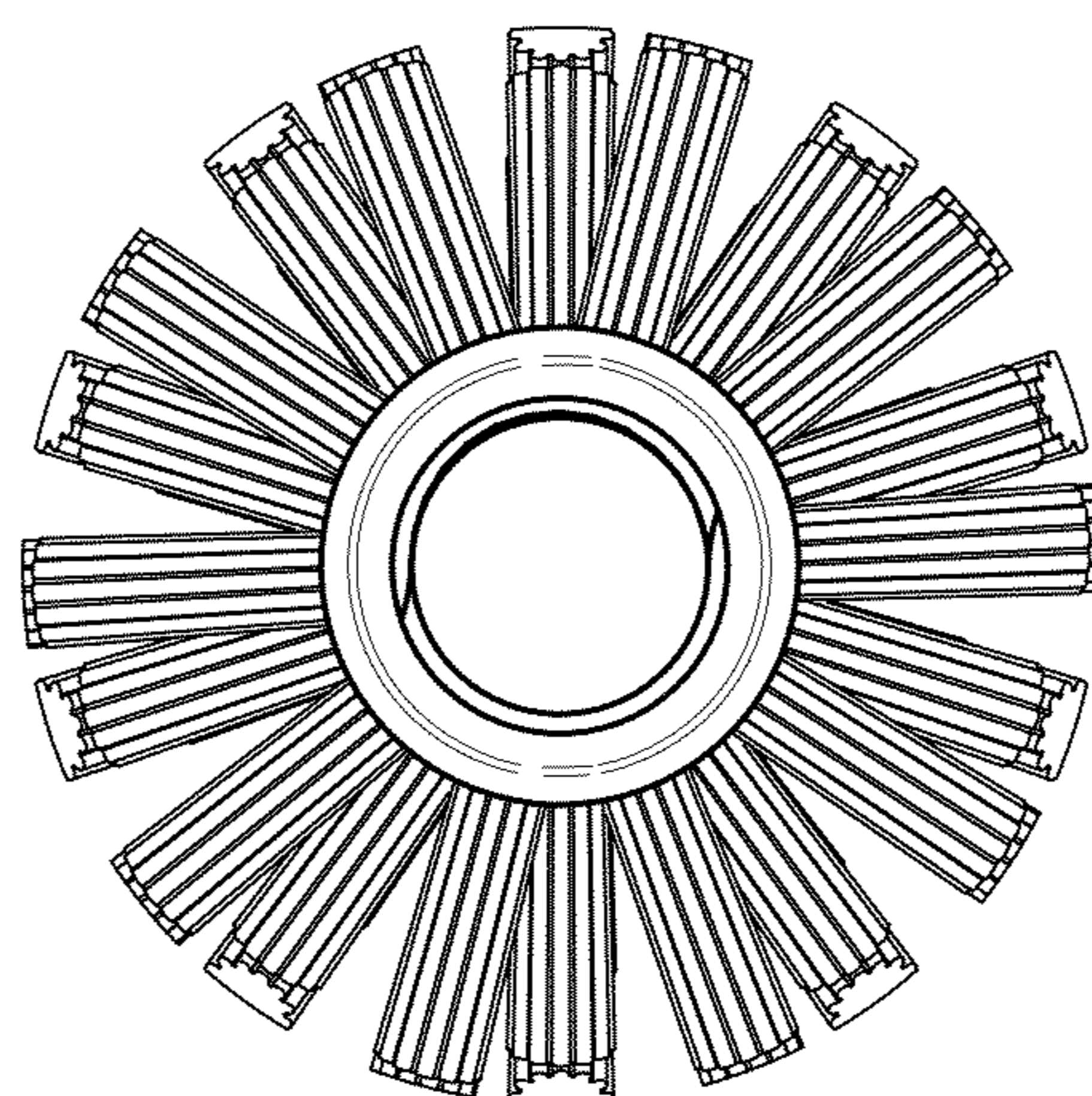


FIG. 8