



US00D693125S

(12) **United States Design Patent**
Bell

(10) **Patent No.:** **US D693,125 S**

(45) **Date of Patent:** **** Nov. 12, 2013**

(54) **COPPER TOTE**

(71) Applicant: **Timothy A. Bell**, Charleston, WV (US)

(72) Inventor: **Timothy A. Bell**, Charleston, WV (US)

(**) Term: **14 Years**

(21) Appl. No.: **29/432,937**

(22) Filed: **Sep. 24, 2012**

(51) **LOC (9) Cl.** **03-01**

(52) **U.S. Cl.**
USPC **D3/304**

(58) **Field of Classification Search**
USPC D3/20, 26, 201, 304, 307-311, 315,
D3/318-319, 321-322, 905; 206/1.7-1.9,
206/372-373

See application file for complete search history.

(56) **References Cited**

U.S. PATENT DOCUMENTS

D246,945 S *	1/1978	Shore	D7/549
D273,207 S *	3/1984	Clanton	D3/309
D346,682 S *	5/1994	Trovato	D3/308
5,433,373 A *	7/1995	Zoeller	229/117.26
D369,469 S *	5/1996	Gregory	D3/319
D380,087 S *	6/1997	Roth	D3/243
D420,221 S *	2/2000	Williams et al.	D3/315
D426,921 S *	6/2000	Renfrew	D28/73
D451,281 S *	12/2001	Wodkowski et al.	D3/315
D459,078 S *	6/2002	Tondino	D3/313
D474,891 S *	5/2003	Huang	D3/309

D499,881 S *	12/2004	Williams	D3/20
D525,032 S *	7/2006	Jones	D3/315
D526,486 S *	8/2006	Herring	D3/315
D625,158 S *	10/2010	Sweedeen	D7/709
D628,386 S *	12/2010	Kohn	D3/313
D634,541 S *	3/2011	Gutierrez	D3/313
D635,769 S *	4/2011	Sosnovsky	D3/304

* cited by examiner

Primary Examiner — Kelley Donnelly

(74) *Attorney, Agent, or Firm* — Dusty Gwinn

(57) **CLAIM**

The ornamental design for a copper tote, as shown and described.

DESCRIPTION

FIG. 1 is a front perspective view of a new design for a copper tote.

FIG. 2 is a rear perspective view of a new design for a copper tote.

FIG. 3 is a top perspective view of a new design for a copper tote.

FIG. 4 is a bottom perspective view of a new design for a copper tote.

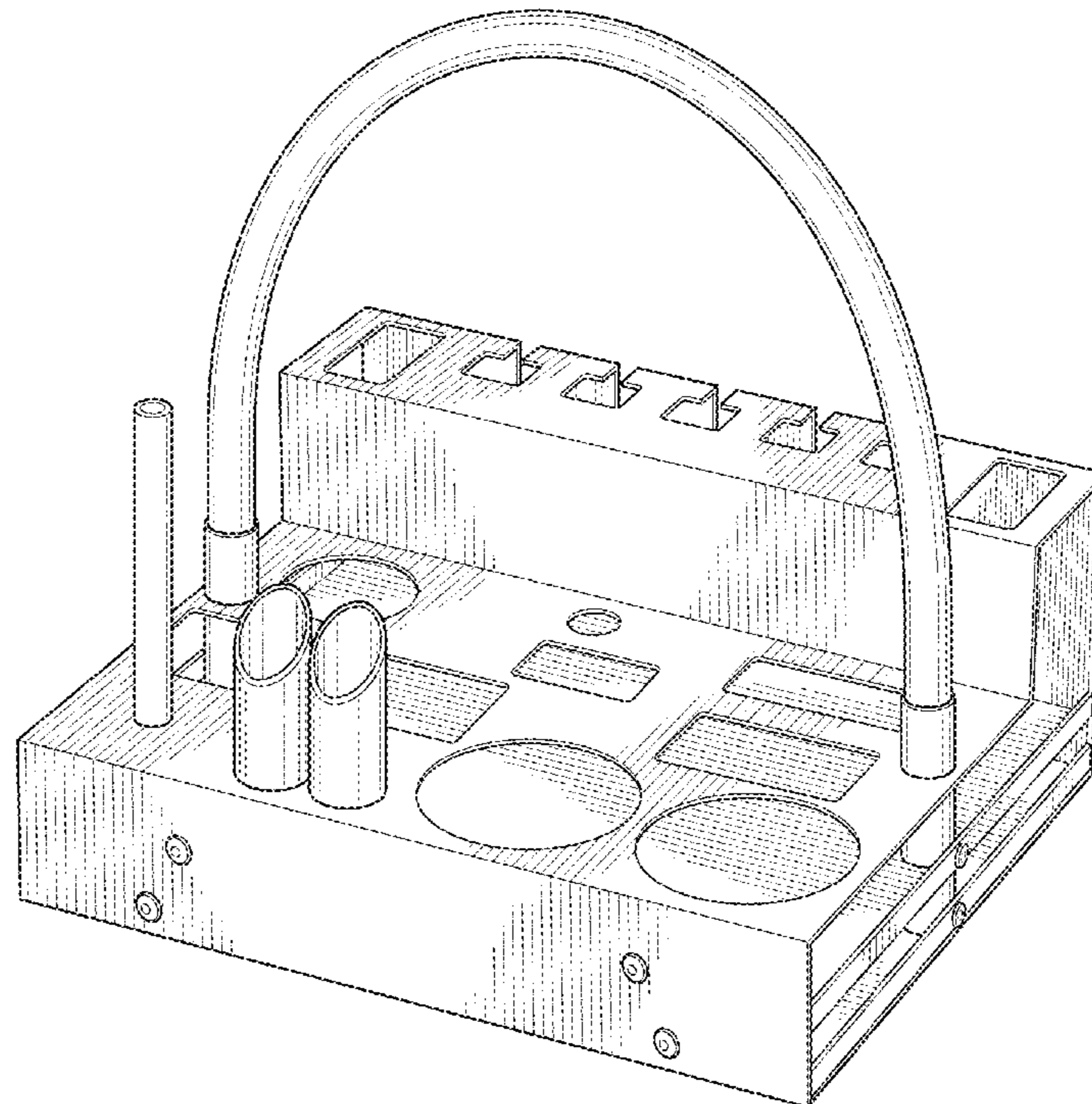
FIG. 5 is a front perspective view of a new design of a copper tote.

FIG. 6 is a rear perspective view of a new design of a copper tote.

FIG. 7 is a side perspective view of a new design of a copper tote; and,

FIG. 8 is a side perspective view of a new design of a copper tote.

1 Claim, 5 Drawing Sheets



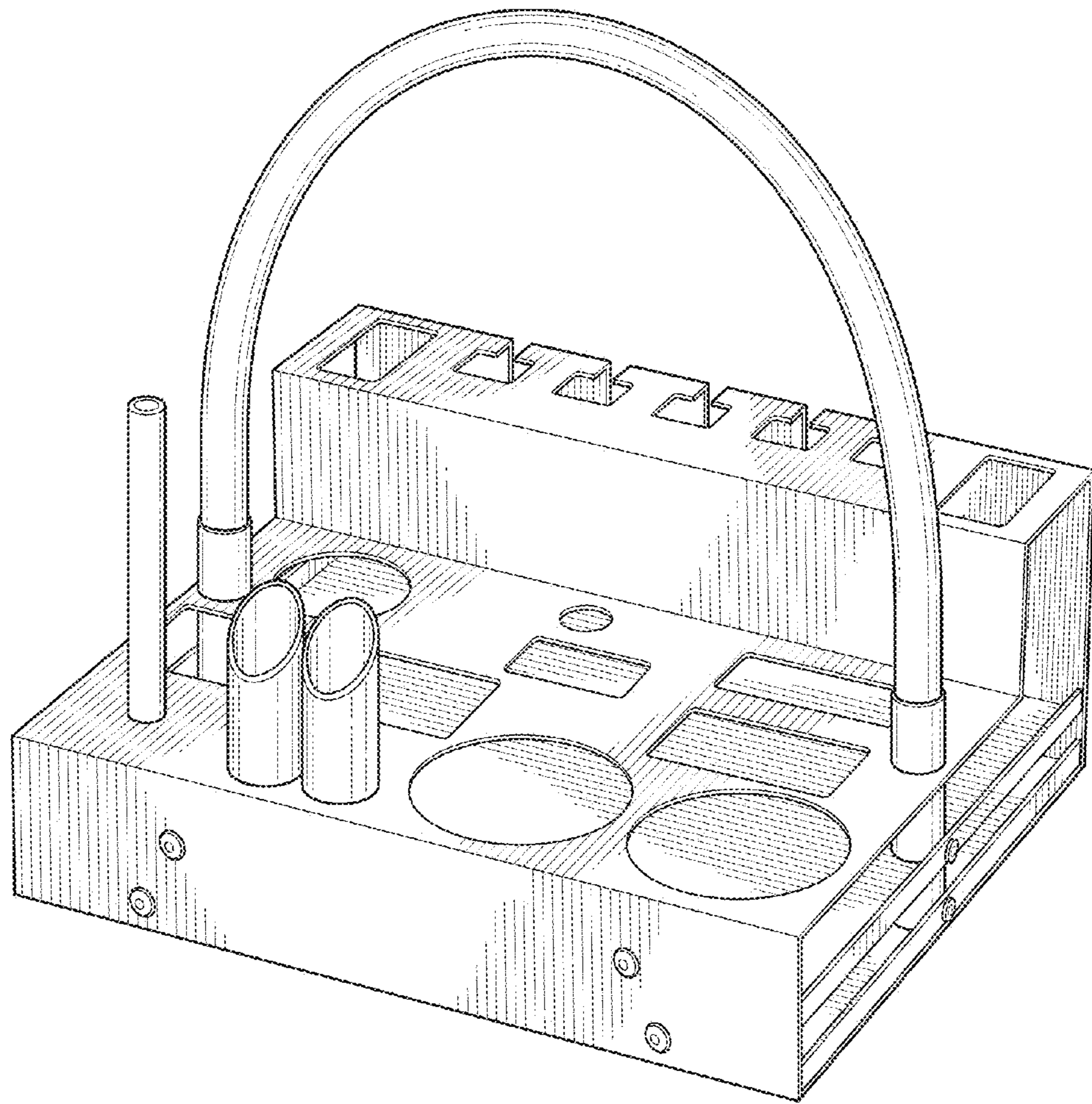


FIG. 1

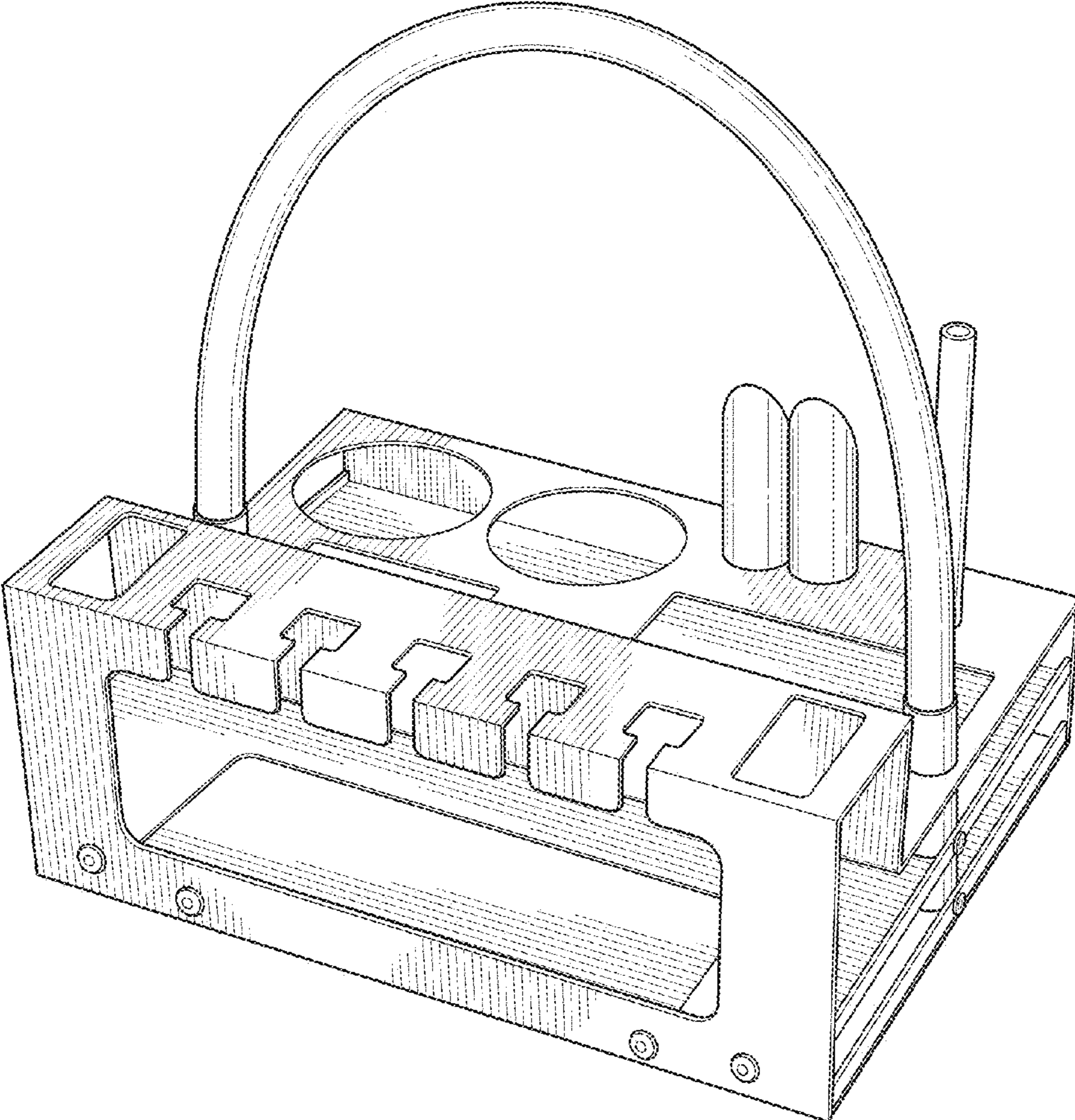


FIG. 2

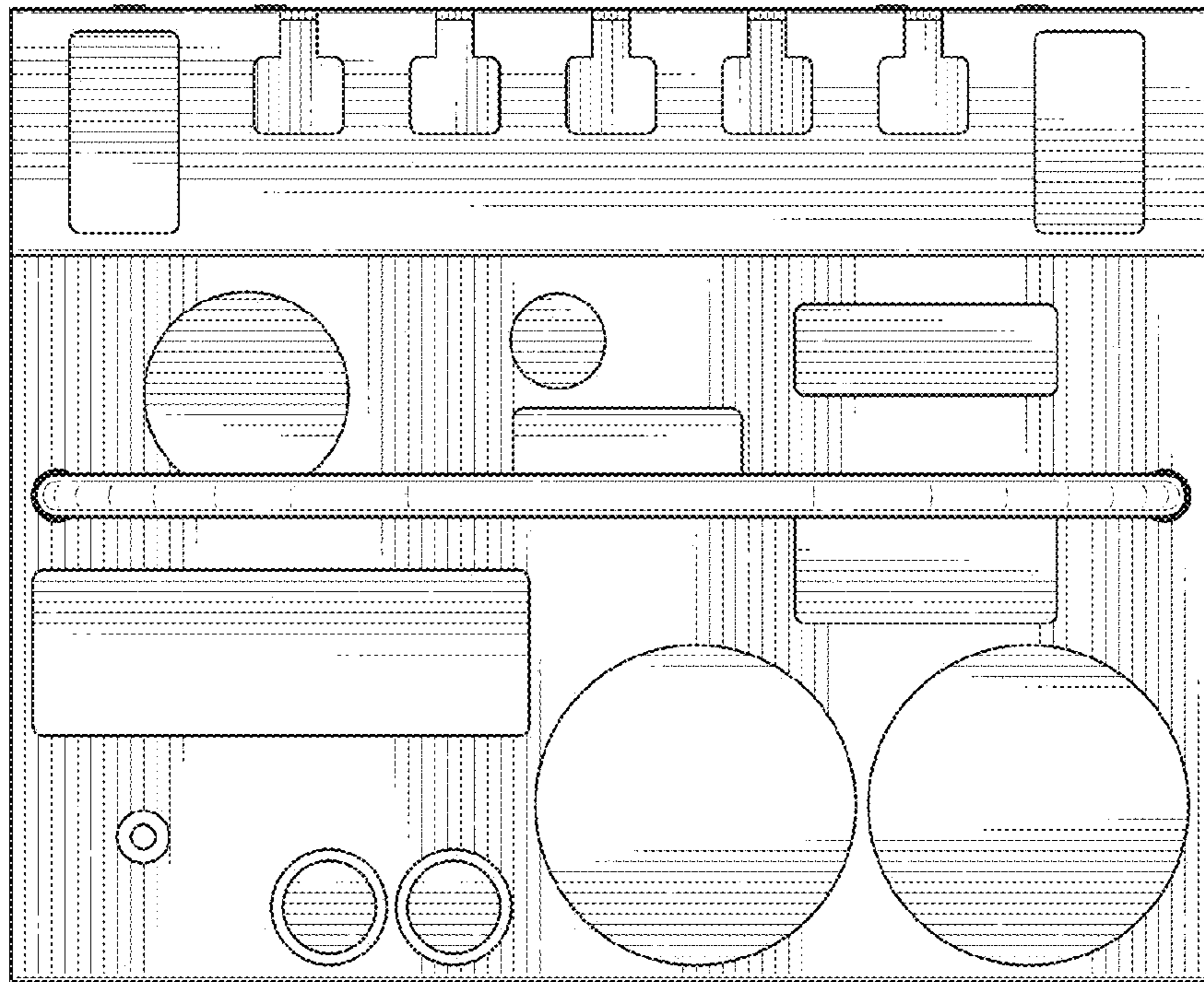


FIG. 3

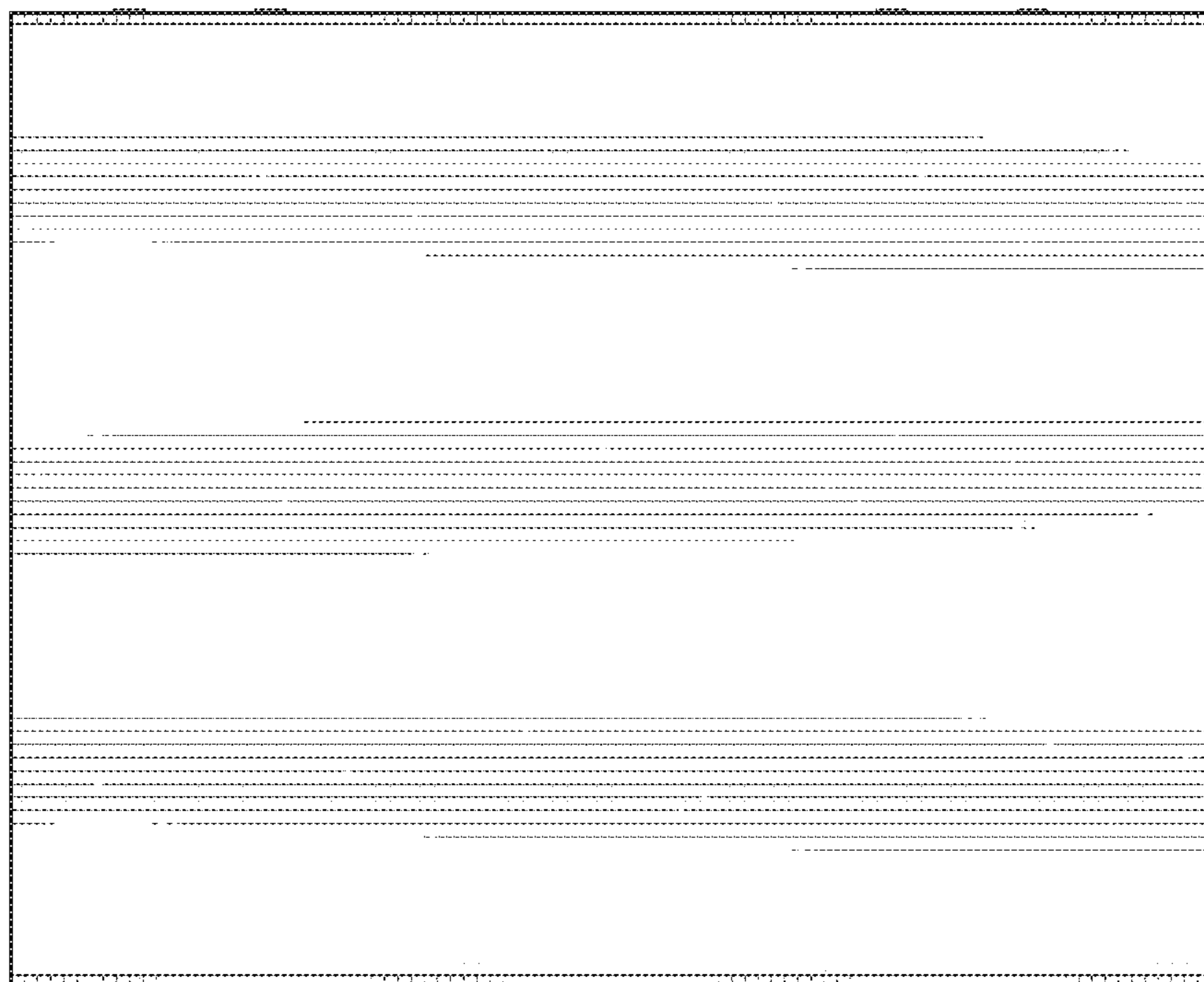


FIG. 4

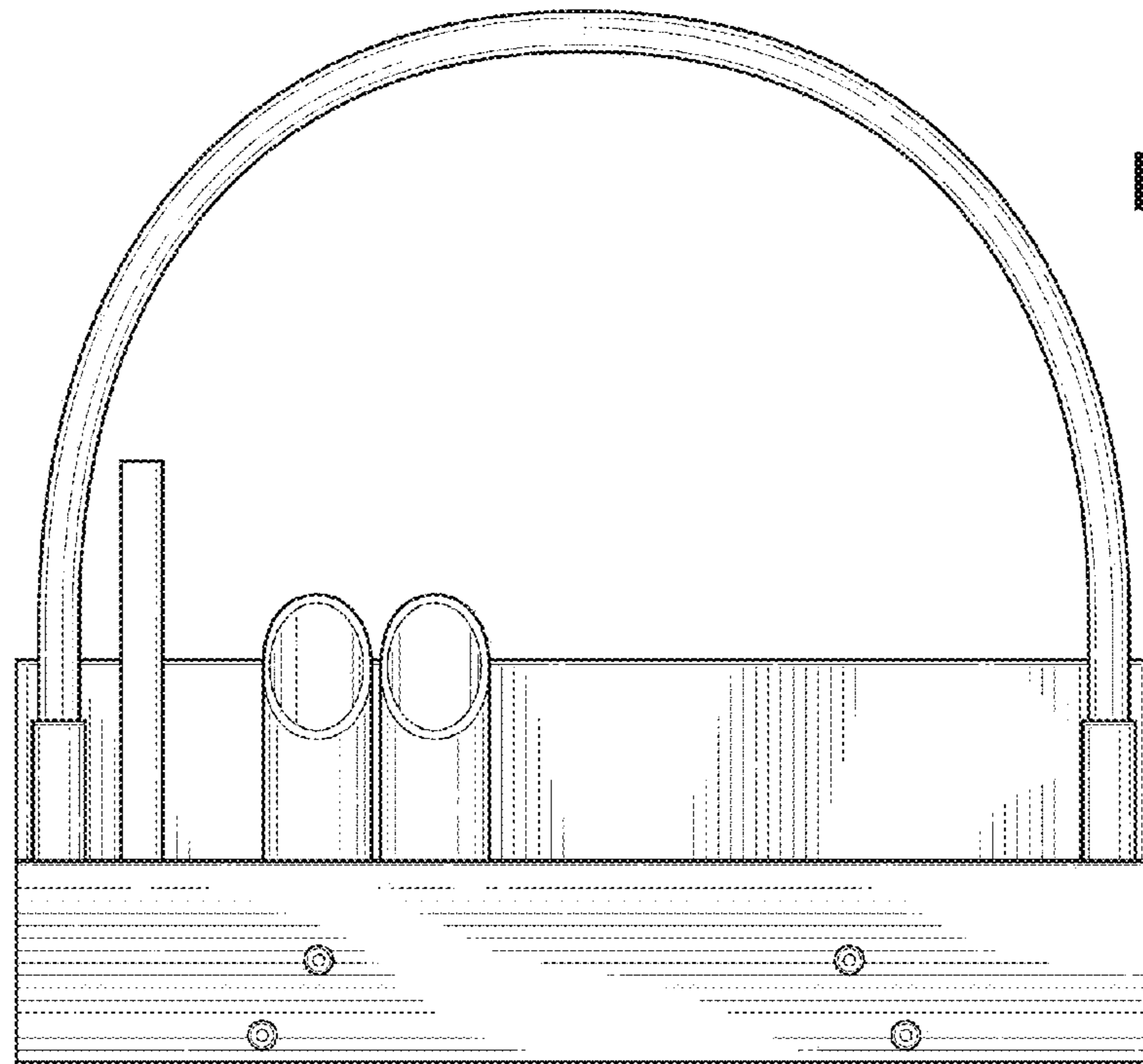


FIG. 5

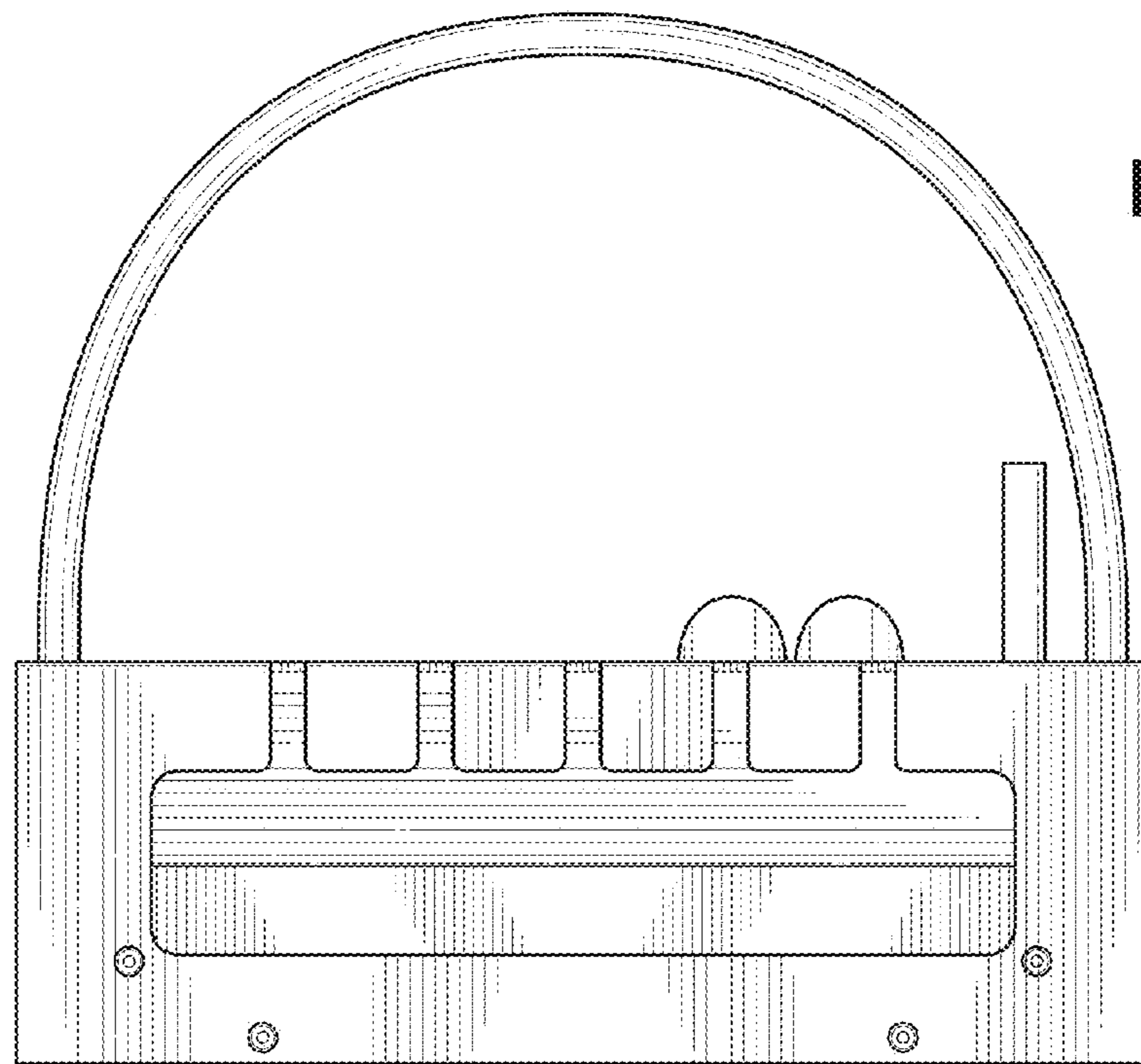


FIG. 6

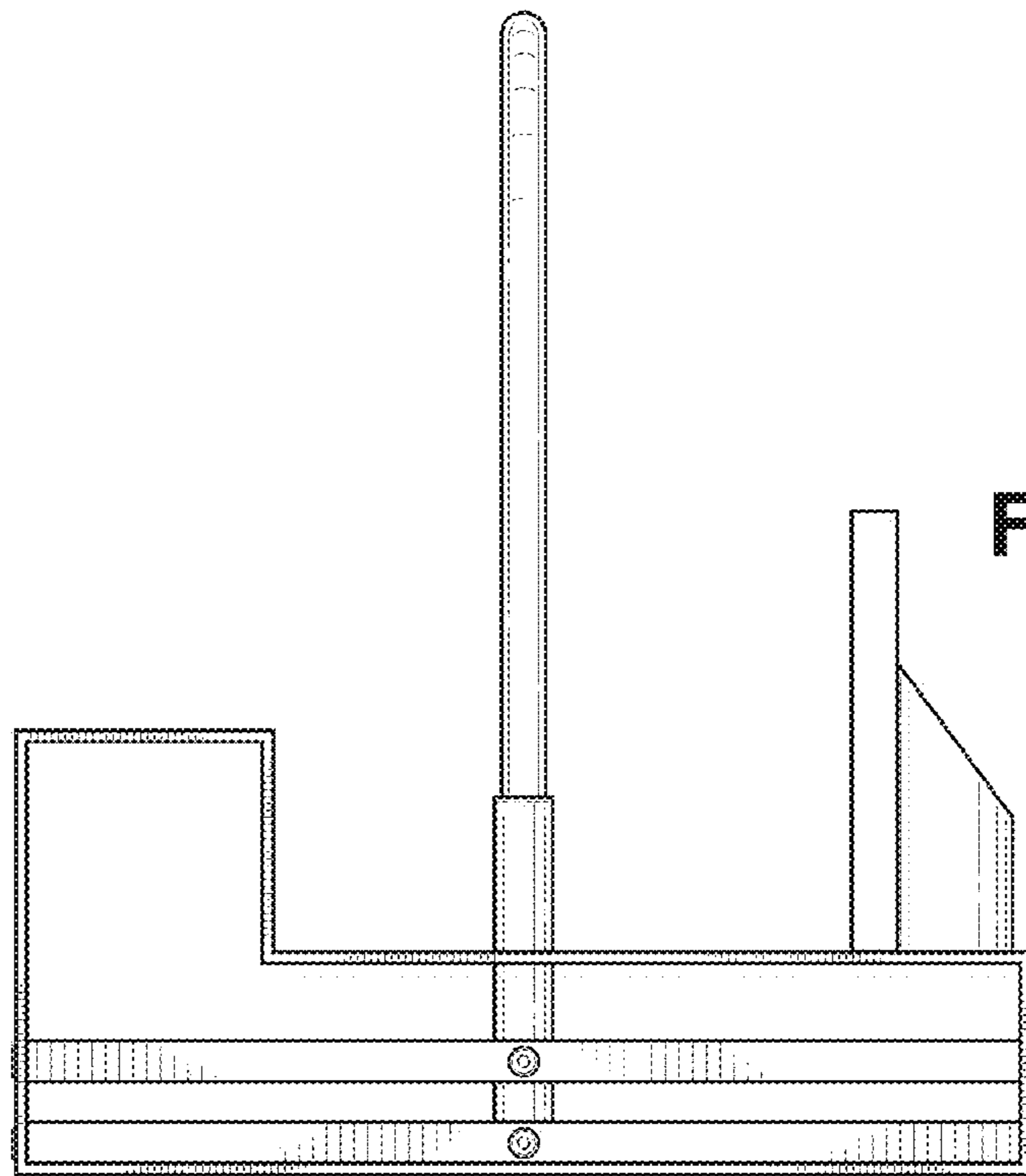


FIG. 7

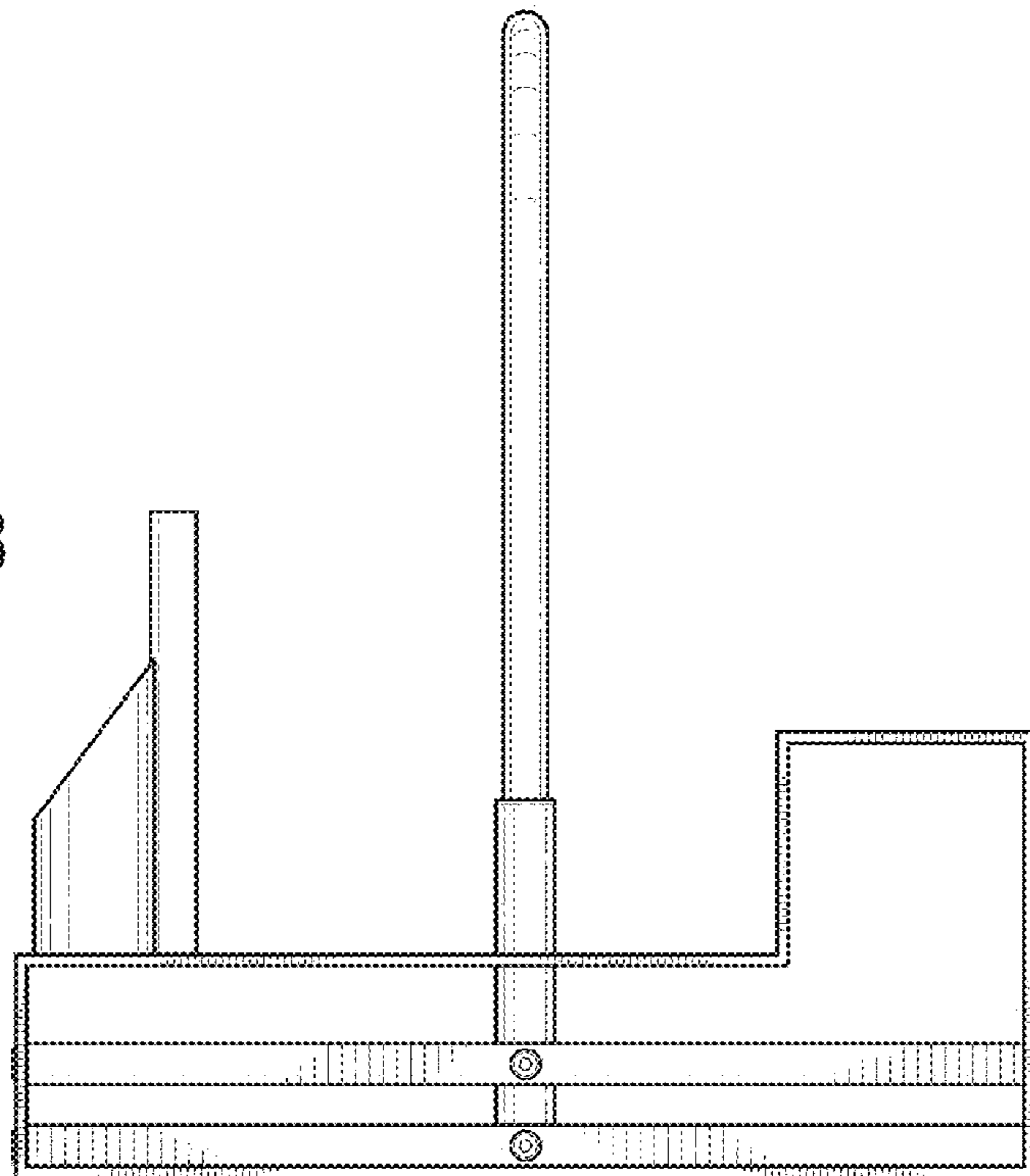


FIG. 8