

US00D693120S

(12) **United States Design Patent**  
**Roth et al.**

(10) **Patent No.:** **US D693,120 S**  
(45) **Date of Patent:** **\*\* Nov. 12, 2013**

- (54) **RESEALABLE CONTAINER**
- (71) Applicants: **Donna Roth**, Duxbury, MA (US); **Troy Kyle**, Pembroke, MA (US)
- (72) Inventors: **Donna Roth**, Duxbury, MA (US); **Troy Kyle**, Pembroke, MA (US)
- (73) Assignee: **Cool Gear International, LLC**, Plymouth, MA (US)
- (\*\*) Term: **14 Years**
- (21) Appl. No.: **29/434,975**
- (22) Filed: **Oct. 18, 2012**
- (51) **LOC (9) Cl.** ..... **03-01**
- (52) **U.S. Cl.**  
USPC ..... **D3/271.1; D7/510; D9/772**
- (58) **Field of Classification Search**  
USPC ..... **D3/270, 271.1; D7/509, 510, 602, 615; D9/763, 772, 779, 780; 215/253-258, 215/273; 220/269, 288, 304, 604, 608, 620, 220/630, 644, 771, 906**  
See application file for complete search history.

- D393,730 S \* 4/1998 Petruzzi ..... D26/38
- D396,916 S 8/1998 Ochs, Sr.
- D403,964 S 1/1999 Jansen
- 5,896,990 A 4/1999 Barzana
- D414,435 S 9/1999 Nahon
- D423,778 S \* 5/2000 Rahal ..... D3/271.1
- D424,438 S 5/2000 Turner et al.
- D426,656 S \* 6/2000 Hogan ..... D26/16
- D432,015 S 10/2000 Holiday
- D444,385 S 7/2001 Dixon, I
- D447,693 S 9/2001 Warner et al.
- D454,307 S 3/2002 Lindsey
- D461,674 S 8/2002 Dorney
- D466,371 S 12/2002 Parker
- D479,437 S 9/2003 Gluck
- D486,734 S 2/2004 Weber
- D518,333 S 4/2006 Gluck
- D529,379 S 10/2006 Mengeu et al.
- D534,770 S 1/2007 Gluck

(Continued)

*Primary Examiner* — Cynthia Ramirez  
(74) *Attorney, Agent, or Firm* — Edwards Wildman Palmer LLP; Brian R. Landry; Richard B. Emmons

(57) **CLAIM**  
The ornamental design for a resealable container, as shown and described.

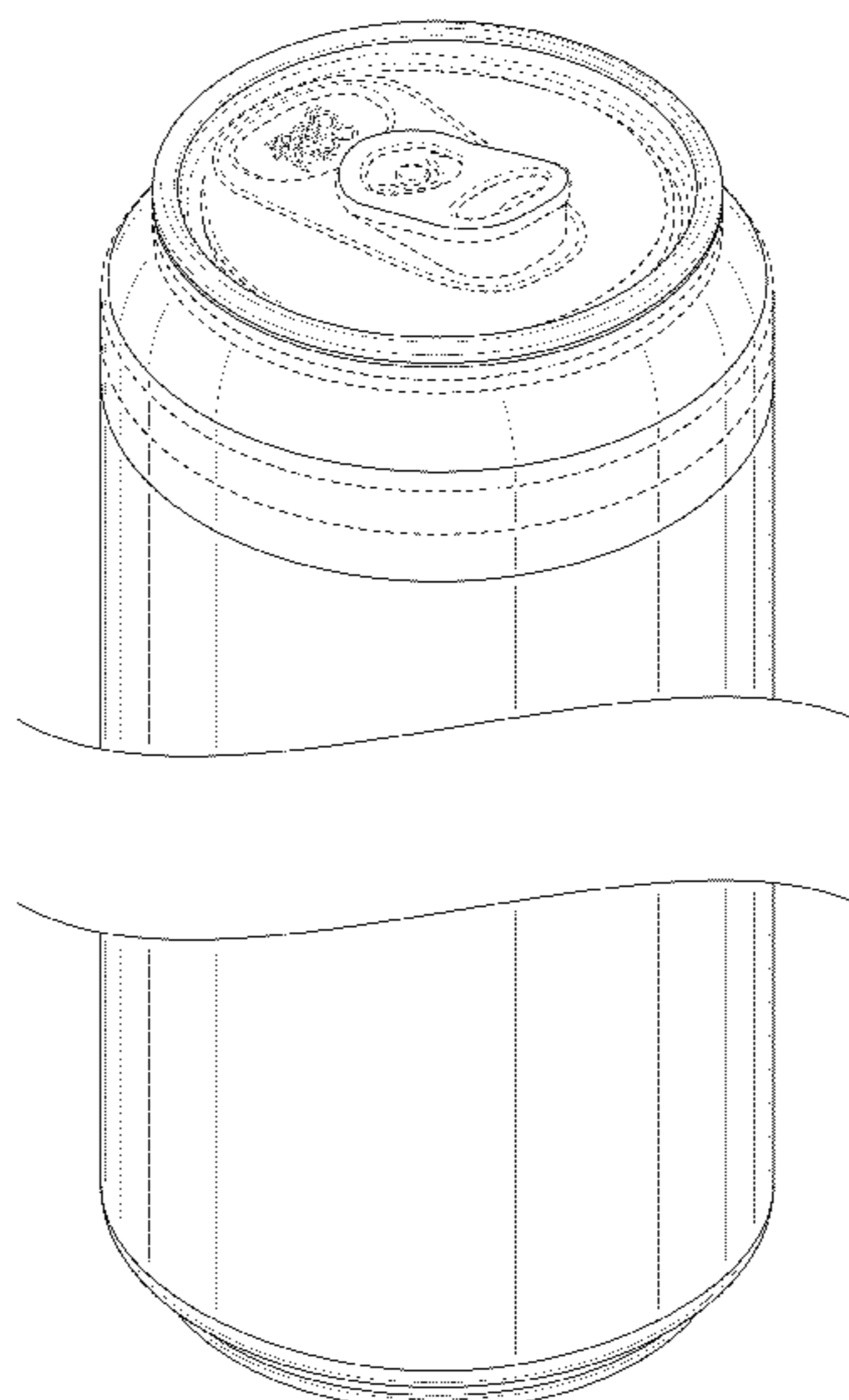
(56) **References Cited**  
U.S. PATENT DOCUMENTS

- 3,734,360 A 5/1973 Brown
- D285,661 S 9/1986 Brownbill
- 4,883,187 A \* 11/1989 Knitzer ..... 215/12.2
- 4,892,206 A 1/1990 Perrin
- 4,925,051 A 5/1990 Herbst
- 4,930,654 A 6/1990 Thibeault et al.
- 4,989,746 A 2/1991 Pierce
- 5,088,614 A 2/1992 Dumestre
- D327,218 S 6/1992 Nickerson
- D329,593 S 9/1992 Otsuka
- 5,199,591 A 4/1993 Thibeault et al.
- D347,973 S \* 6/1994 McBride ..... D7/619.2
- D371,075 S 6/1996 Stonehouse
- D381,046 S 7/1997 Hiers et al.

**DESCRIPTION**

FIG. 1 is a perspective view of the top, back, and right side of a container showing an embodiment of the new design; FIG. 2 is a front view thereof; FIG. 3 is a back view thereof; FIG. 4 is a left view thereof; FIG. 5 is a right view thereof; FIG. 6 is a top view thereof; and, FIG. 7 is a bottom view thereof. The container is shown with a symbolic break in its length. The appearance of any portion of the article between the break lines forms no part of the claimed design.

**1 Claim, 7 Drawing Sheets**



(56)

References Cited

U.S. PATENT DOCUMENTS

D547,122 S	7/2007	Gluck		7,735,673 B2	6/2010	Huffman et al.	
D549,595 S *	8/2007	Lowther et al. ....	D9/772	D623,963 S	9/2010	Fairchild, Jr. et al.	
D554,433 S	11/2007	Gluck		D632,588 S	2/2011	George	
D563,723 S	3/2008	Gluck		D632,589 S	2/2011	George	
D569,245 S	5/2008	Joshi et al.		D640,141 S	6/2011	Chapin	
D570,228 S	6/2008	van Dam		D640,852 S *	6/2011	Warlick et al. ....	D34/4
D587,137 S	2/2009	Hayden et al.		D641,644 S	7/2011	George	
7,500,577 B2	3/2009	Wichelhaus		D643,718 S	8/2011	Fields	
D591,103 S	4/2009	Wong		D644,537 S	9/2011	Hu	
D593,876 S	6/2009	Hayden et al.		D644,941 S	9/2011	Hermans	
D594,167 S *	6/2009	Chavez et al. ....	D34/4	D650,234 S	12/2011	Tseng	
D596,048 S	7/2009	Hayden et al.		D653,538 S	2/2012	Toms et al.	
7,556,425 B2	7/2009	Gluck		D653,964 S	2/2012	Cepetic	
D601,436 S	10/2009	Stephens et al.		D666,873 S	9/2012	Gluck	
D603,722 S	11/2009	Reimer		D669,781 S	10/2012	Fields	
D604,181 S	11/2009	Reimer		D671,843 S	12/2012	Plosky et al.	
D604,639 S	11/2009	Huls et al.		8,336,725 B2	12/2012	Ramsey et al.	
D605,060 S	12/2009	Reimer		D675,066 S *	1/2013	Conlin et al. ....	D7/608
D607,754 S	1/2010	Hayden et al.		D678,784 S	3/2013	Aranha	
D611,203 S *	3/2010	Jager .....	D30/160	2002/0121456 A1	9/2002	Mannion et al.	
D612,747 S	3/2010	Ball		2003/0192468 A1	10/2003	Goertzen	
D616,416 S	5/2010	Lin		2005/0284263 A1	12/2005	Klosterman	
D618,115 S	6/2010	Huls et al.		2006/0107563 A1	5/2006	Farnsworth et al.	
				2007/0051725 A1 *	3/2007	Glade .....	220/254.4
				2007/0138178 A1	6/2007	Erickson	
				2008/0000992 A1	1/2008	Mediare	

\* cited by examiner

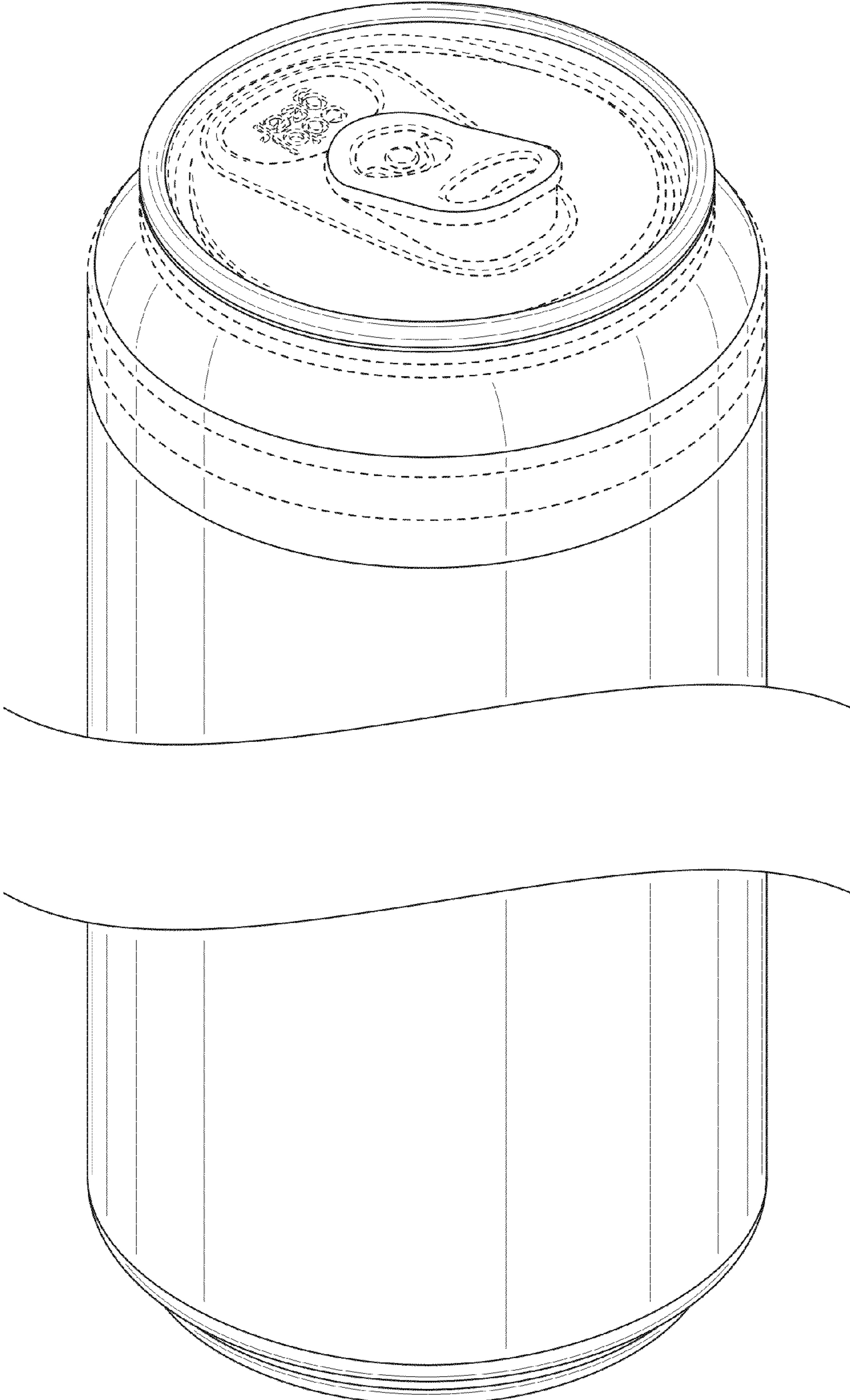


FIG. 1

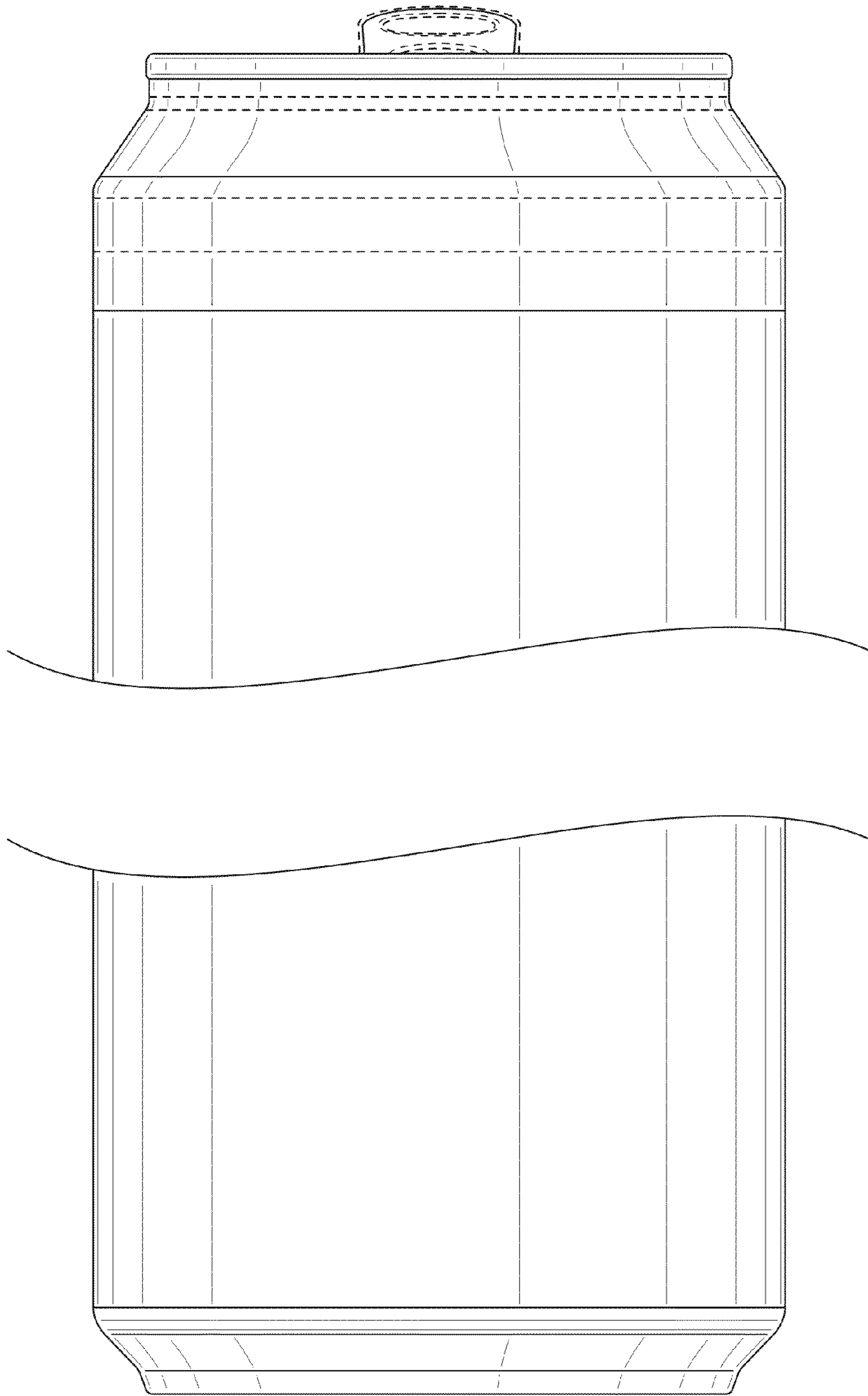


FIG. 2

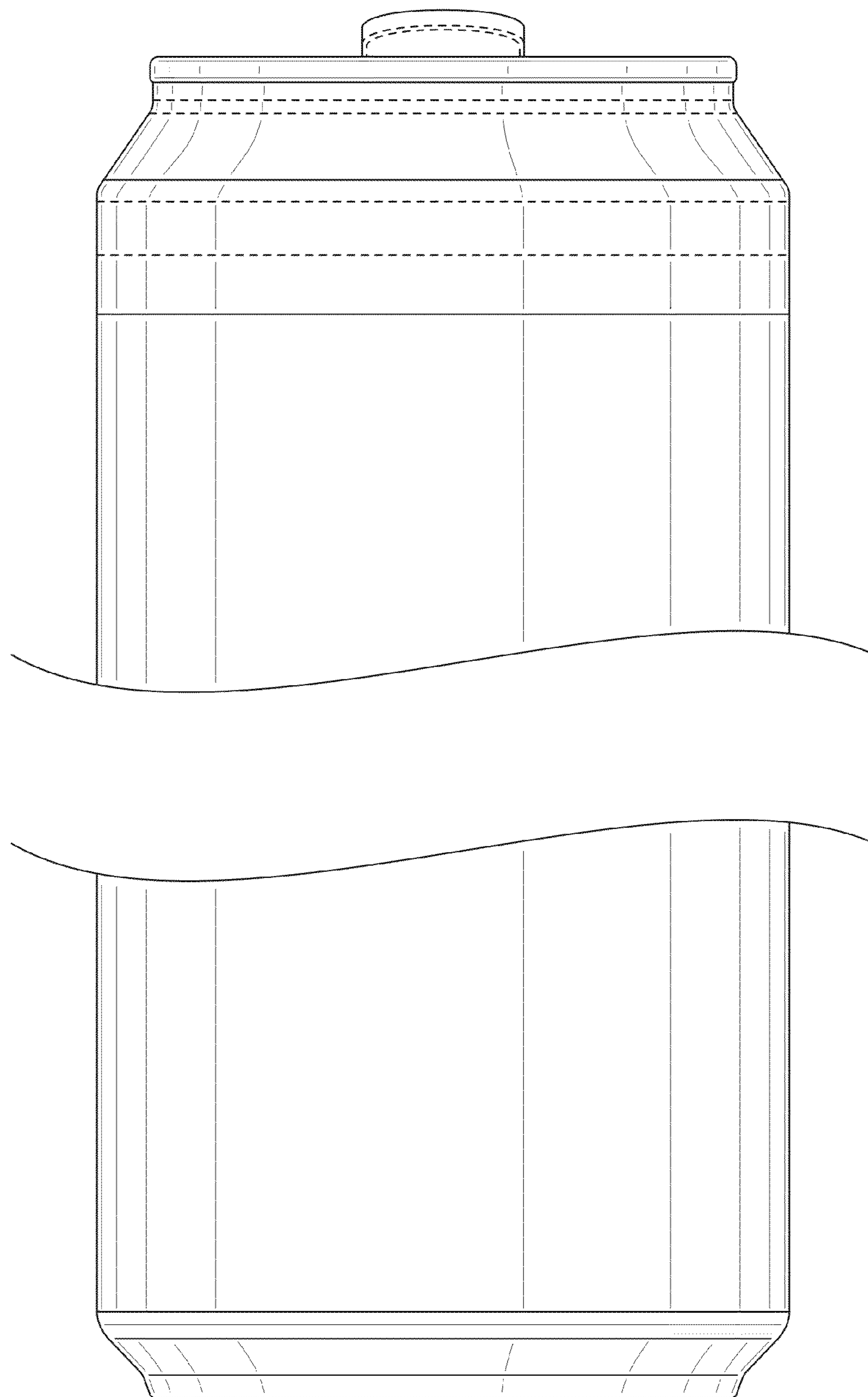


FIG. 3

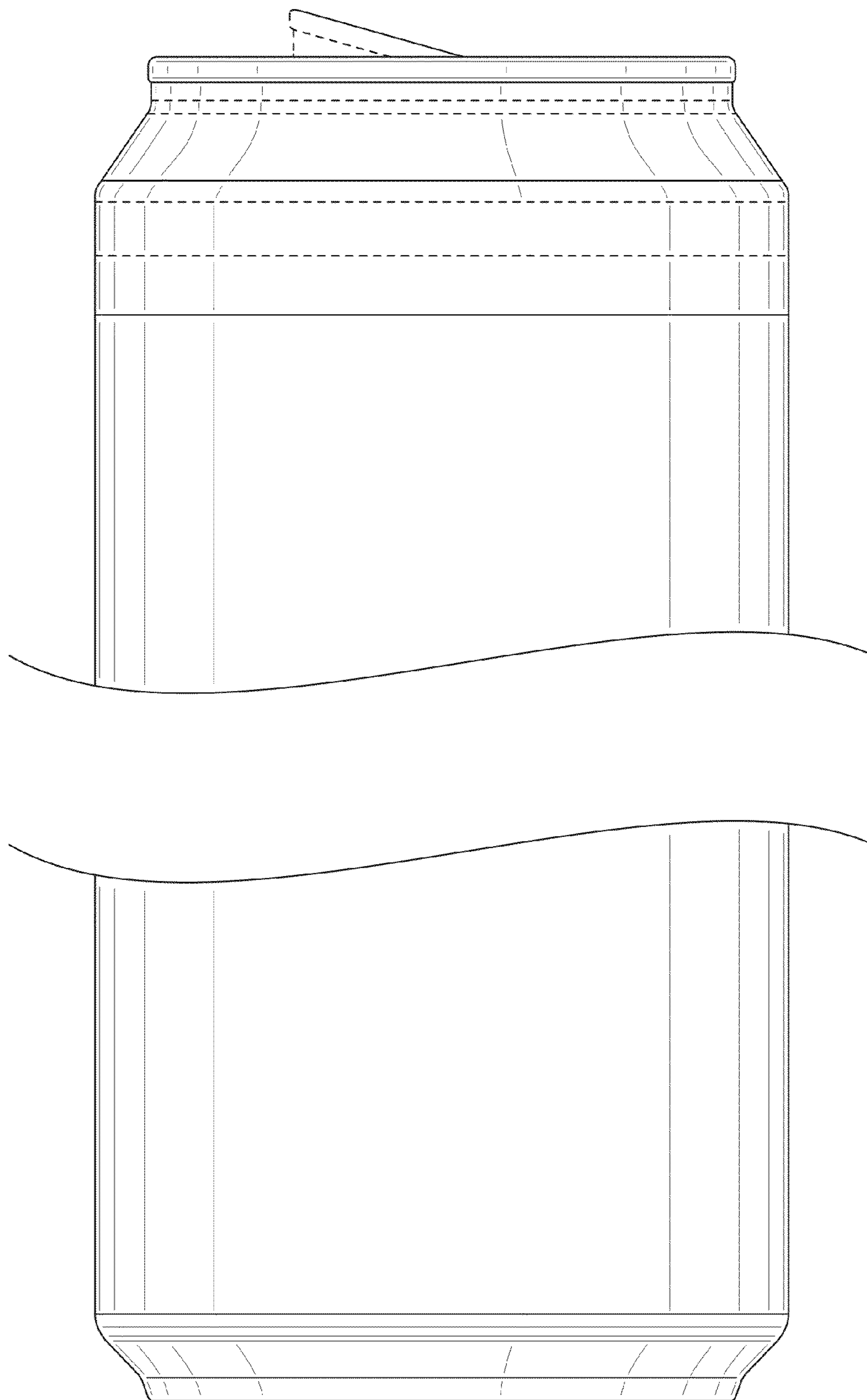


FIG. 4

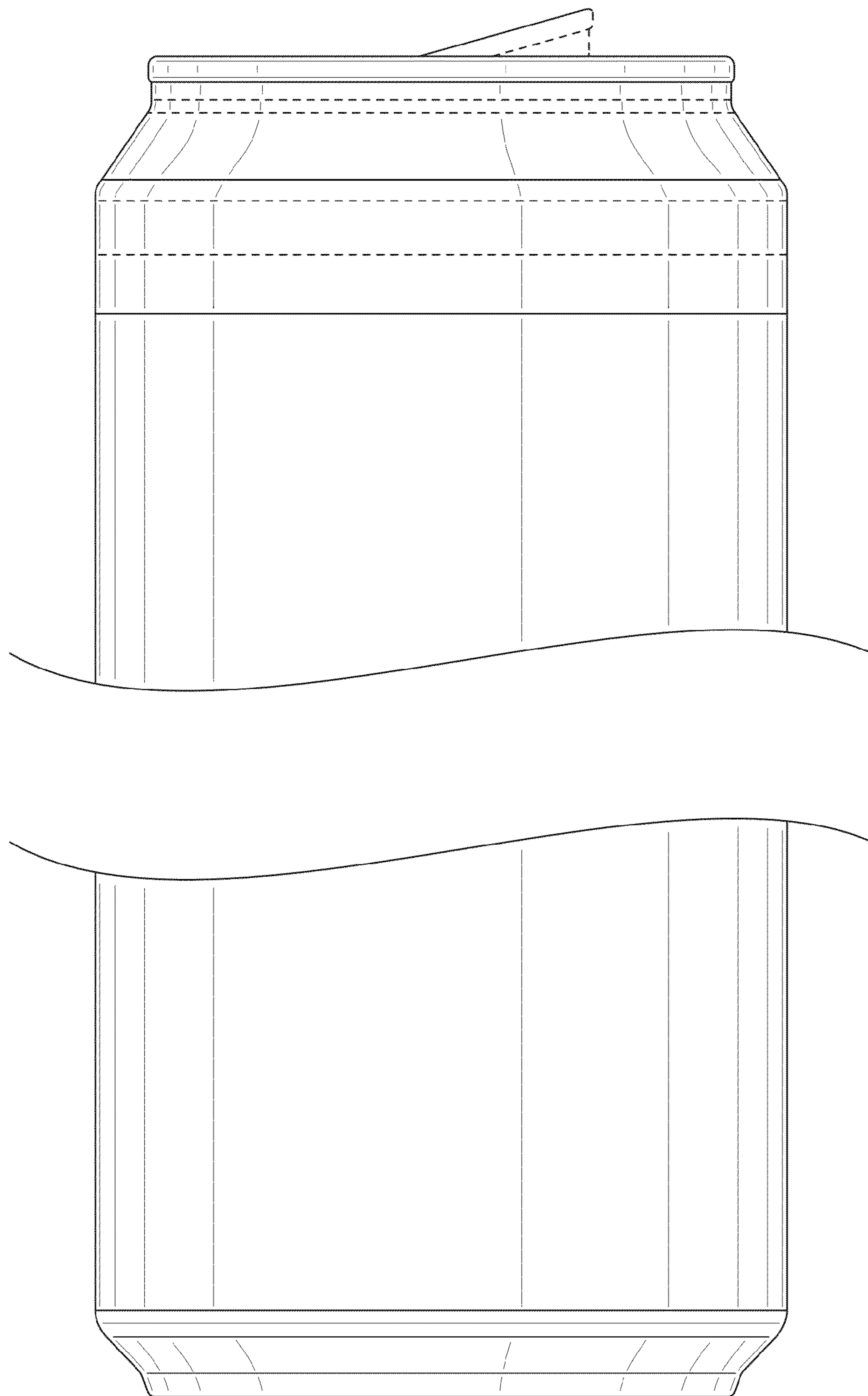


FIG. 5

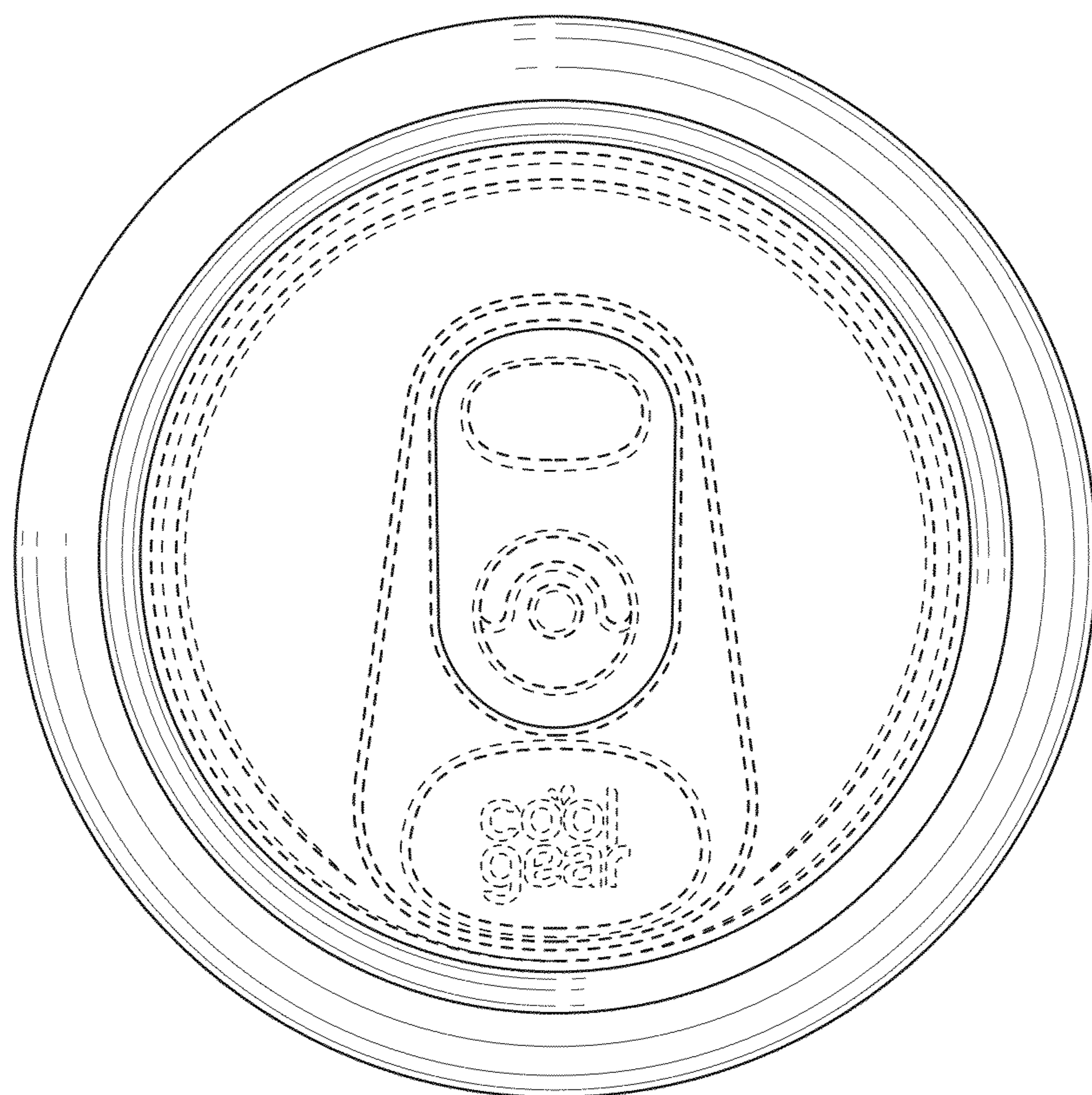


FIG. 6



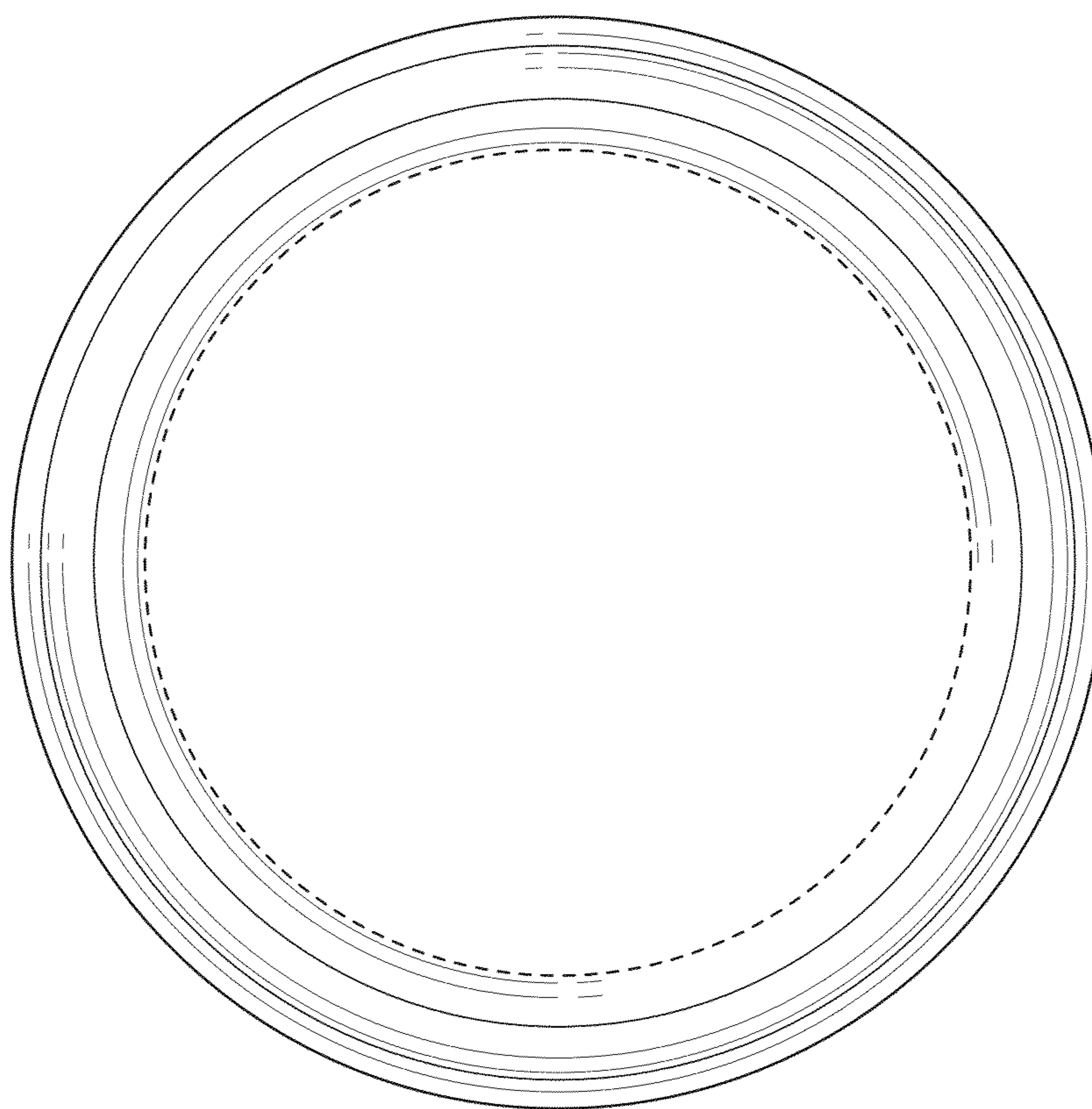


FIG. 7