



US00D693118S

(12) **United States Design Patent**
Maier

(10) **Patent No.:** **US D693,118 S**

(45) **Date of Patent:** **** Nov. 12, 2013**

(54) **HANDBAG**

(71) Applicant: **Bottega Veneta SA**, Cadempino (CH)

(72) Inventor: **Tomas Maier**, Delray Beach, FL (US)

(73) Assignee: **Bottega Veneta SA**, Cadempino (CH)

(**) Term: **14 Years**

(21) Appl. No.: **29/436,596**

(22) Filed: **Nov. 7, 2012**

(30) **Foreign Application Priority Data**

May 16, 2012 (WO) 669612701

(51) **LOC (9) Cl.** **03-01**

(52) **U.S. Cl.**
USPC **D3/243**

(58) **Field of Classification Search**
USPC D3/232–233, 240–243, 245–246;
150/100, 103–110, 113–114, 117–119

See application file for complete search history.

(56) **References Cited**

U.S. PATENT DOCUMENTS

D570,106 S *	6/2008	Della Valle	D3/243
D582,668 S *	12/2008	Gonzalez	D3/243
D631,655 S *	2/2011	Della Valle	D3/243
D631,657 S *	2/2011	Della Valle	D3/243
D659,391 S *	5/2012	Jobert	D3/243

* cited by examiner

Primary Examiner — Holly Baynham

(74) *Attorney, Agent, or Firm* — Lucas & Mercanti, LLP

(57) **CLAIM**

The handbag, substantially as shown and described.

DESCRIPTION

FIG. 1 is a perspective view of the handbag;
FIG. 2 is a front view of the handbag;
FIG. 3 is a rear view of the handbag;
FIGS. 4 and 5 are side views of the handbag;
FIG. 6 is a top view of the handbag; and,
FIG. 7 is a bottom view of the handbag.
The broken lines representing stitching are part of the claimed design.

1 Claim, 7 Drawing Sheets





FIG. 1

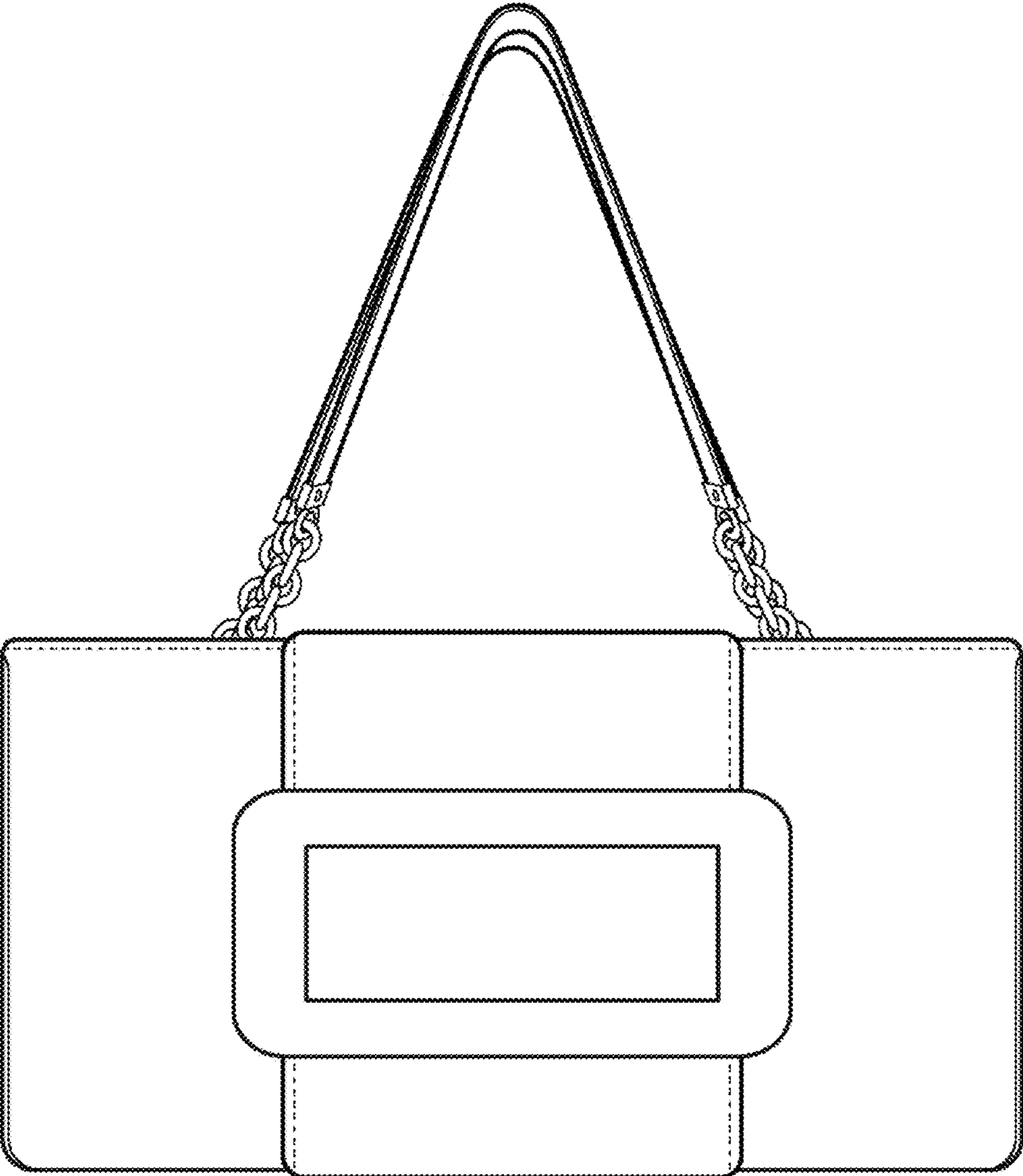


FIG. 2

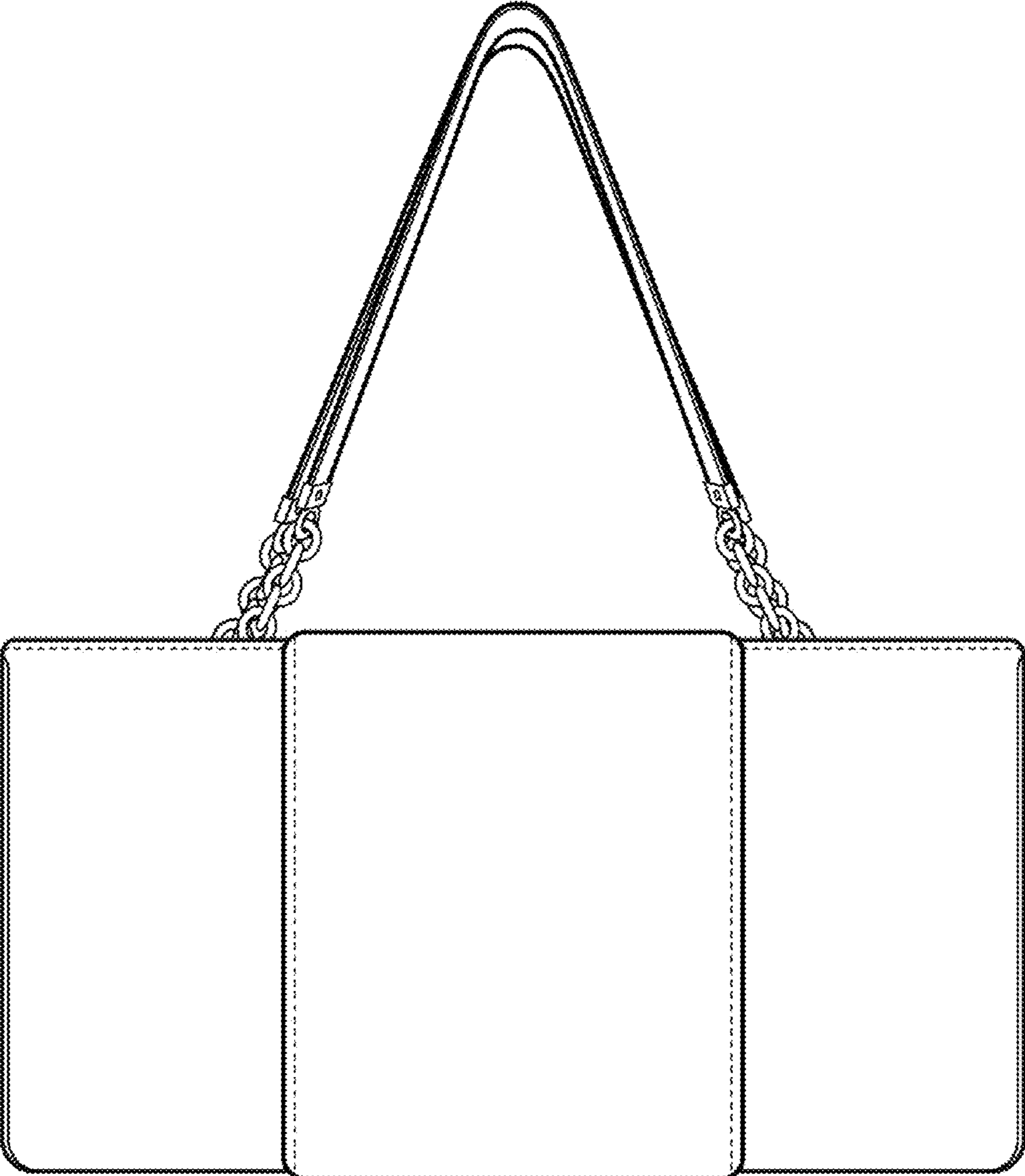


FIG. 3

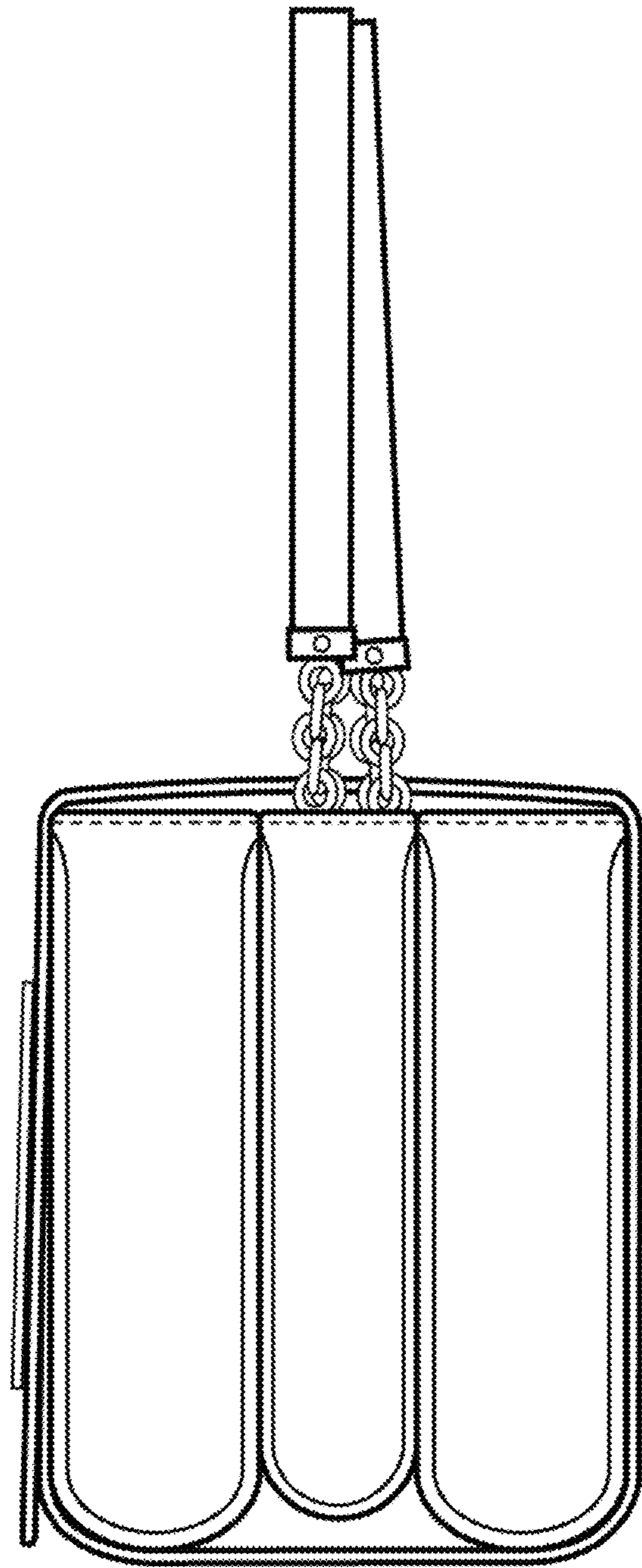


FIG. 4

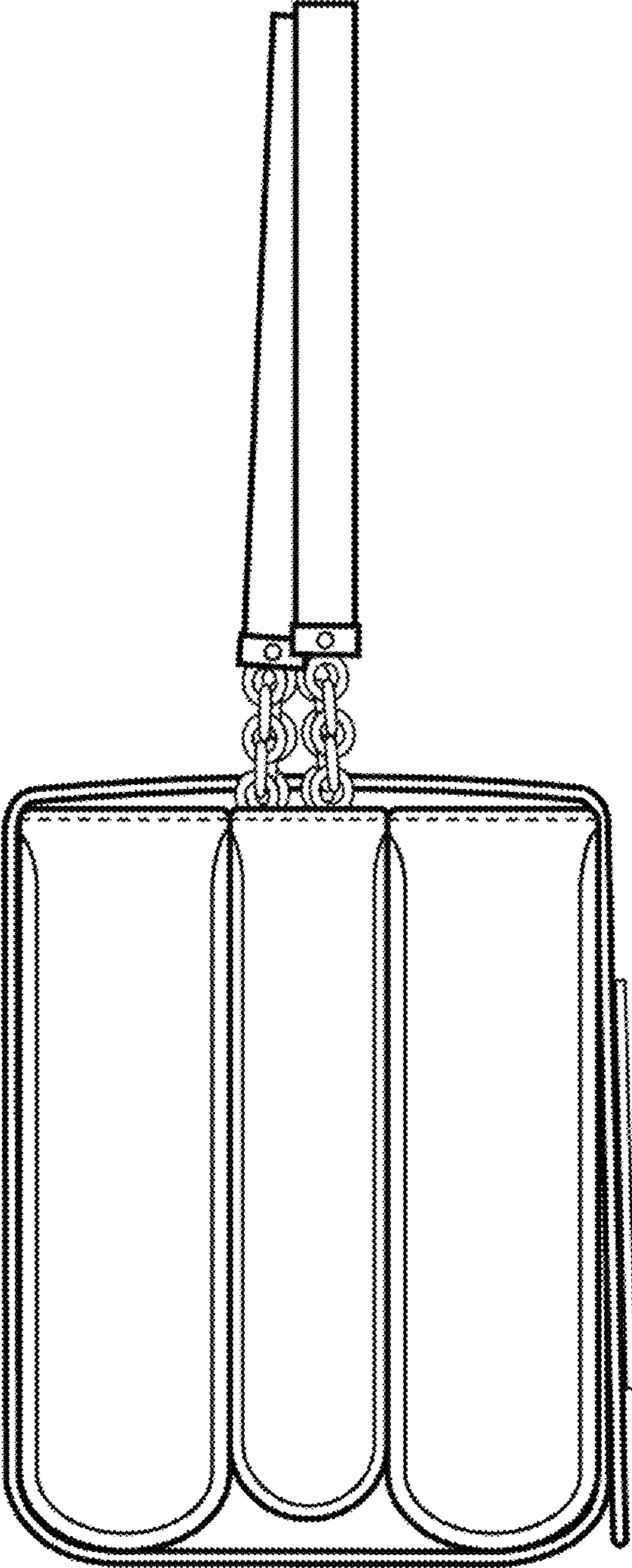


FIG. 5

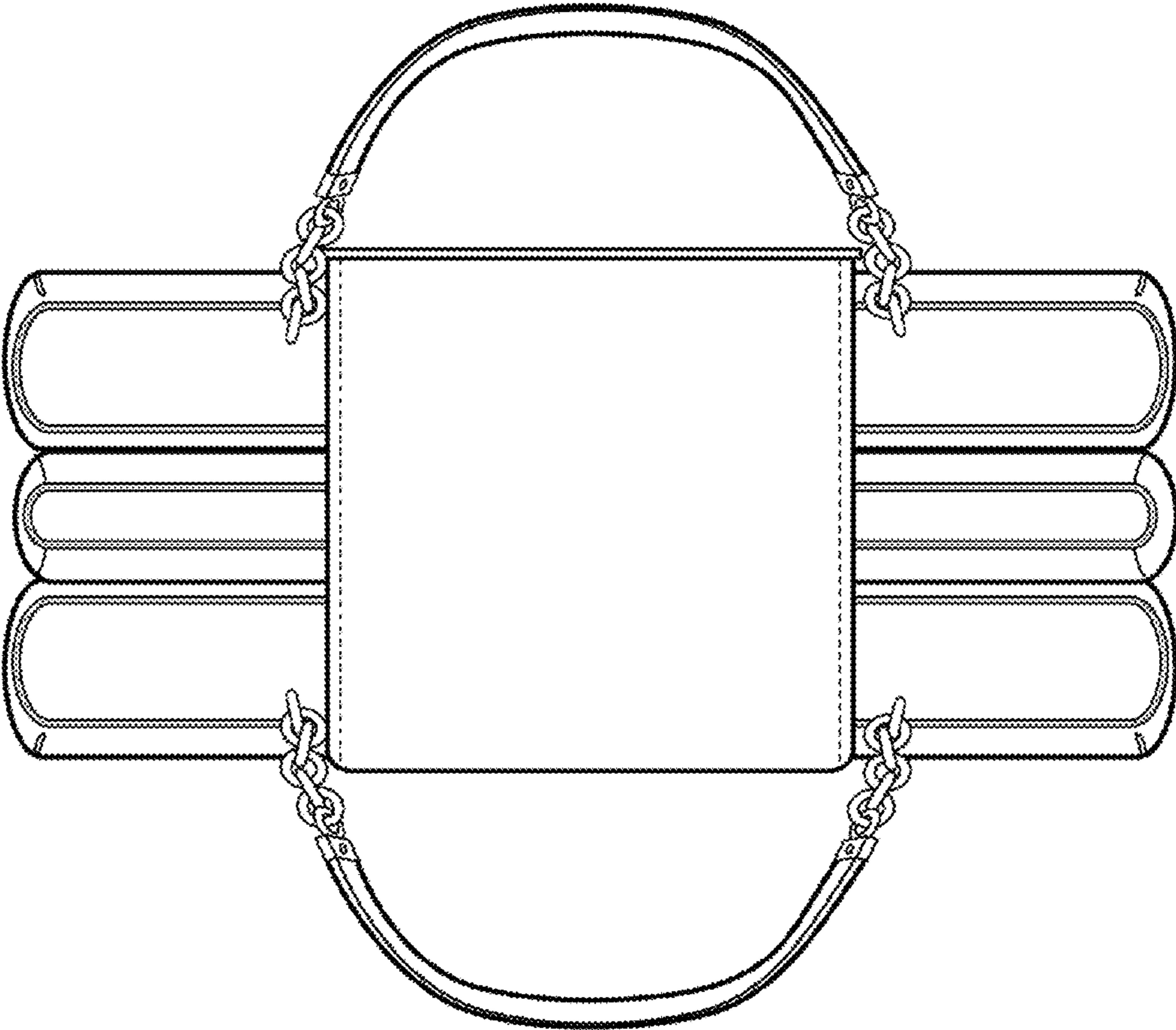


FIG. 6

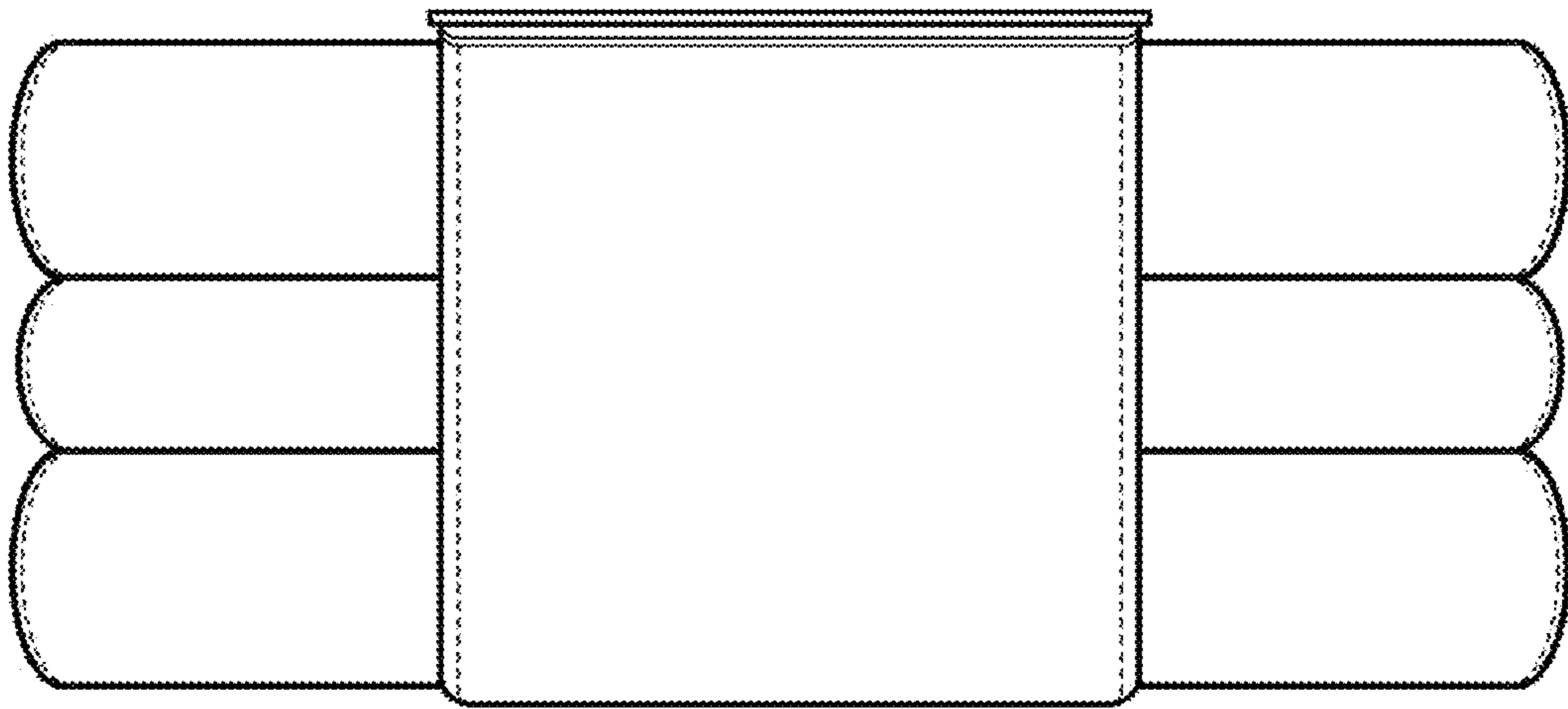


FIG. 7