



US00D693114S

(12) **United States Design Patent**
Lemanski, Sr.

(10) **Patent No.:** **US D693,114 S**
(45) **Date of Patent:** **** Nov. 12, 2013**

- (54) **WATERPROOF CASE FOR INSULIN PUMP**
- (71) Applicant: **Michael W. Lemanski, Sr.**, Lakeland, FL (US)
- (72) Inventor: **Michael W. Lemanski, Sr.**, Lakeland, FL (US)
- (**) Term: **14 Years**
- (21) Appl. No.: **29/447,829**
- (22) Filed: **Mar. 7, 2013**
- (51) **LOC (9) Cl.** **03-01**
- (52) **U.S. Cl.**
USPC **D3/203.8; D3/215; D3/294**
- (58) **Field of Classification Search**
USPC **D3/203.8, 203.1, 294; 206/366, 206/570-571, 545, 811, 828, 269; D24/130**
See application file for complete search history.

6,959,814 B1 * 11/2005 Hyman 206/570
 7,988,687 B2 8/2011 Freidl et al.
 8,029,443 B2 10/2011 Goodnow

* cited by examiner

Primary Examiner — Catheri Oliver-Garcia
 (74) *Attorney, Agent, or Firm* — Robert C Montgomery;
 Montgomery Patent & Design

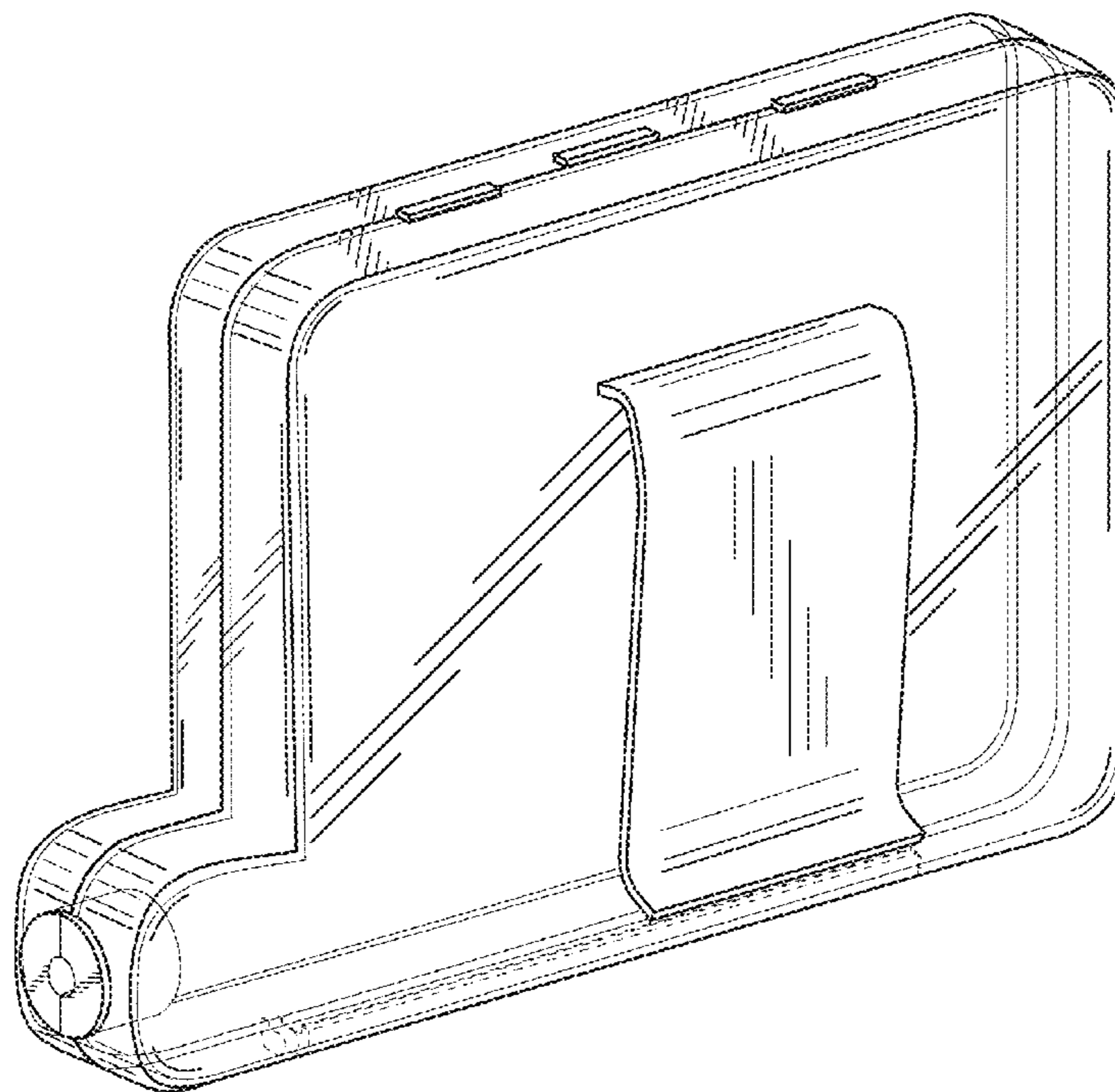
(57) **CLAIM**
 The ornamental design for a waterproof case for an insulin pump, as shown and described.

DESCRIPTION

FIG. 1 is an isometric view of a waterproof case for an insulin pump in a closed position;
 FIG. 2 is a front view thereof;
 FIG. 3 is a rear view thereof;
 FIG. 4 is a left side view thereof;
 FIG. 5 is a right side view thereof;
 FIG. 6 is a top view thereof;
 FIG. 7 is a bottom view thereof; and,
 FIG. 8 is another isometric view of a waterproof case for an insulin pump in an open position.
 The broken line showing of environment in the drawings is included for the purpose of illustrating only and forms no part of the claimed design.

- (56) **References Cited**
 U.S. PATENT DOCUMENTS
 1,989,527 A * 1/1935 Powers 206/811
 4,250,998 A * 2/1981 Taylor 206/570
 4,793,486 A 12/1988 Konopka et al.
 D313,505 S * 1/1991 Leopoldi et al. D3/203.8
 5,370,622 A 12/1994 Livingston et al.
 D389,639 S * 1/1998 Priebe D3/203.8

1 Claim, 8 Drawing Sheets



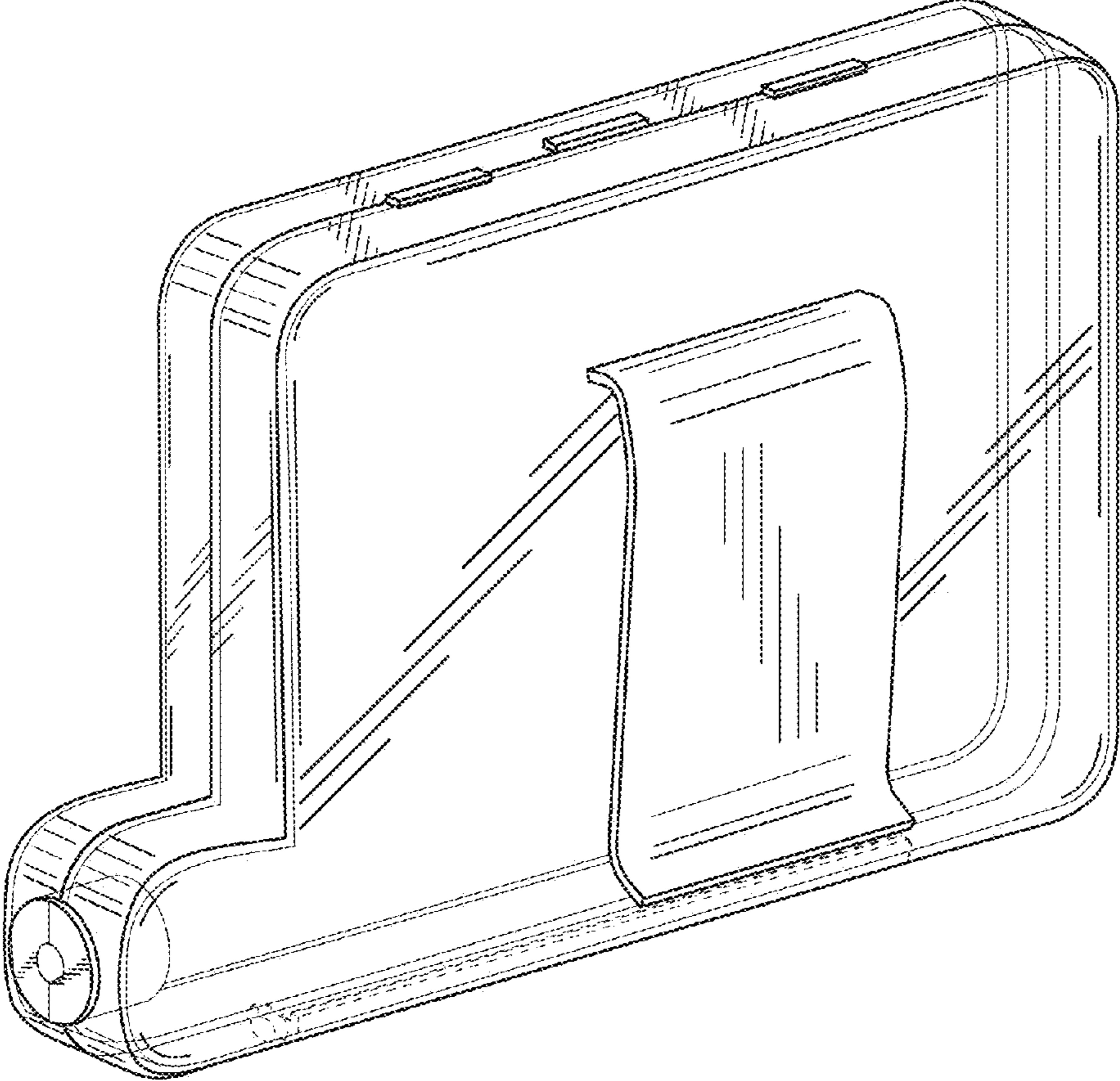


Fig. 1

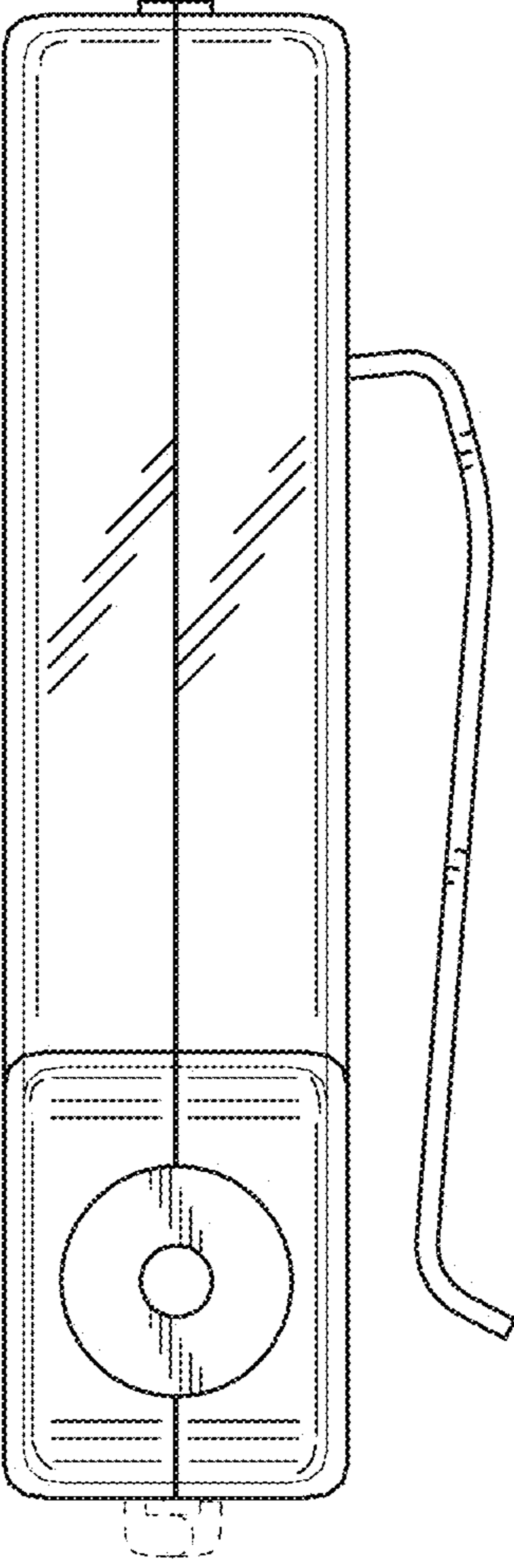


Fig. 2

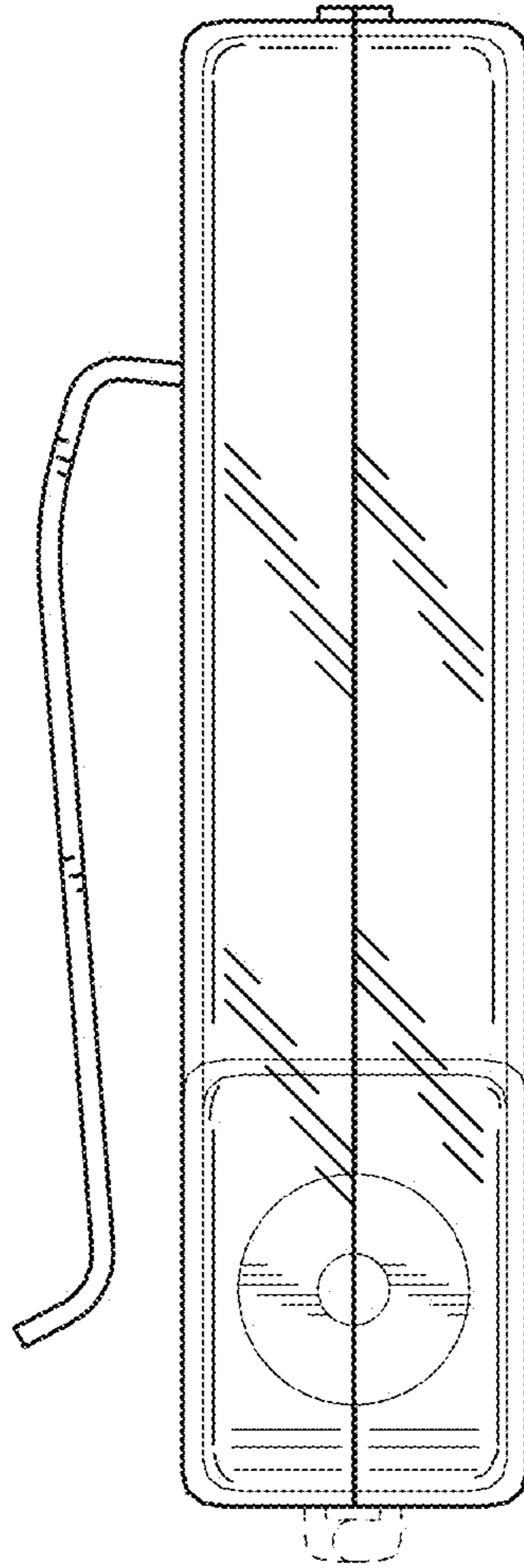


Fig. 3

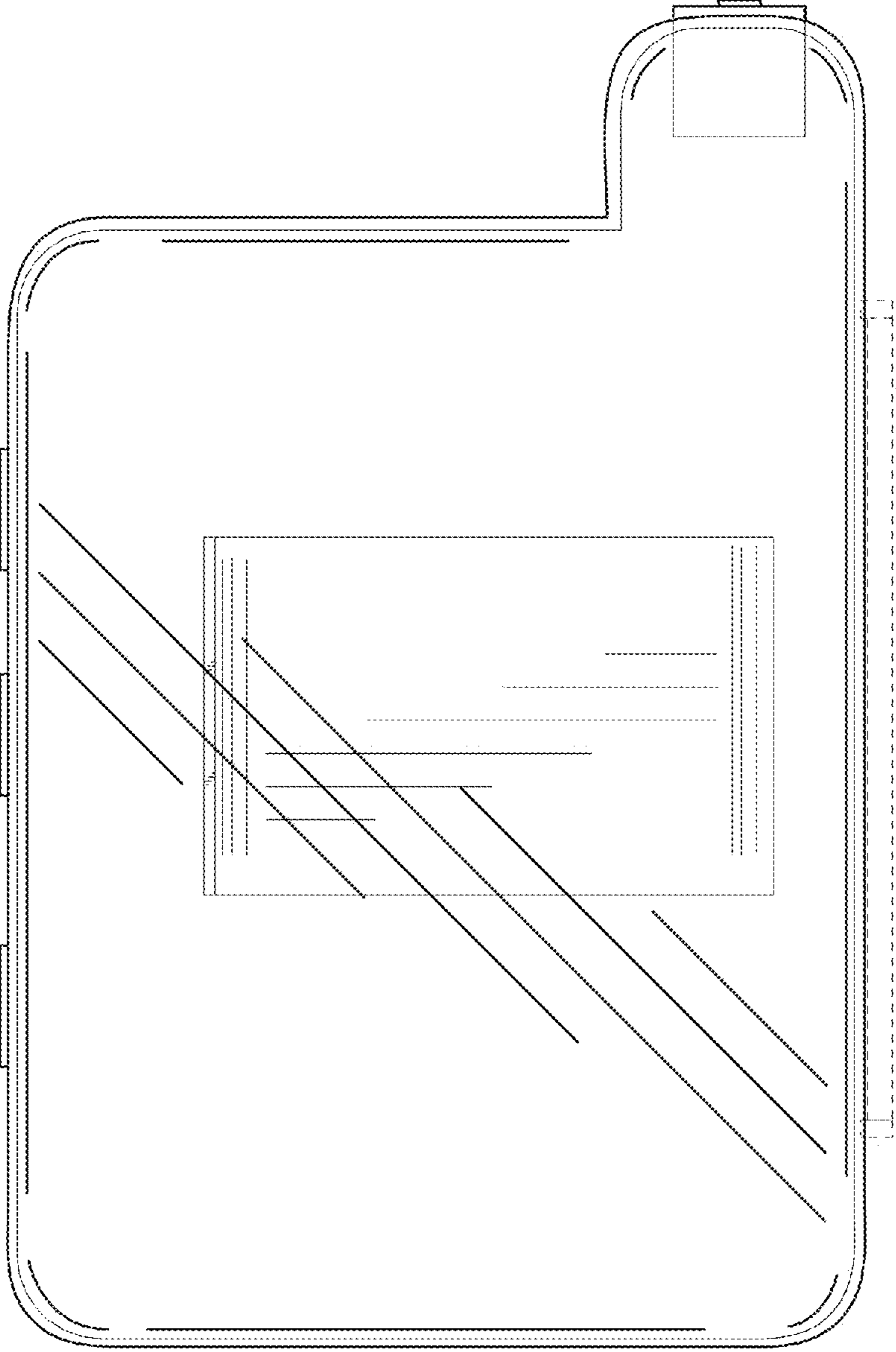


Fig. 4

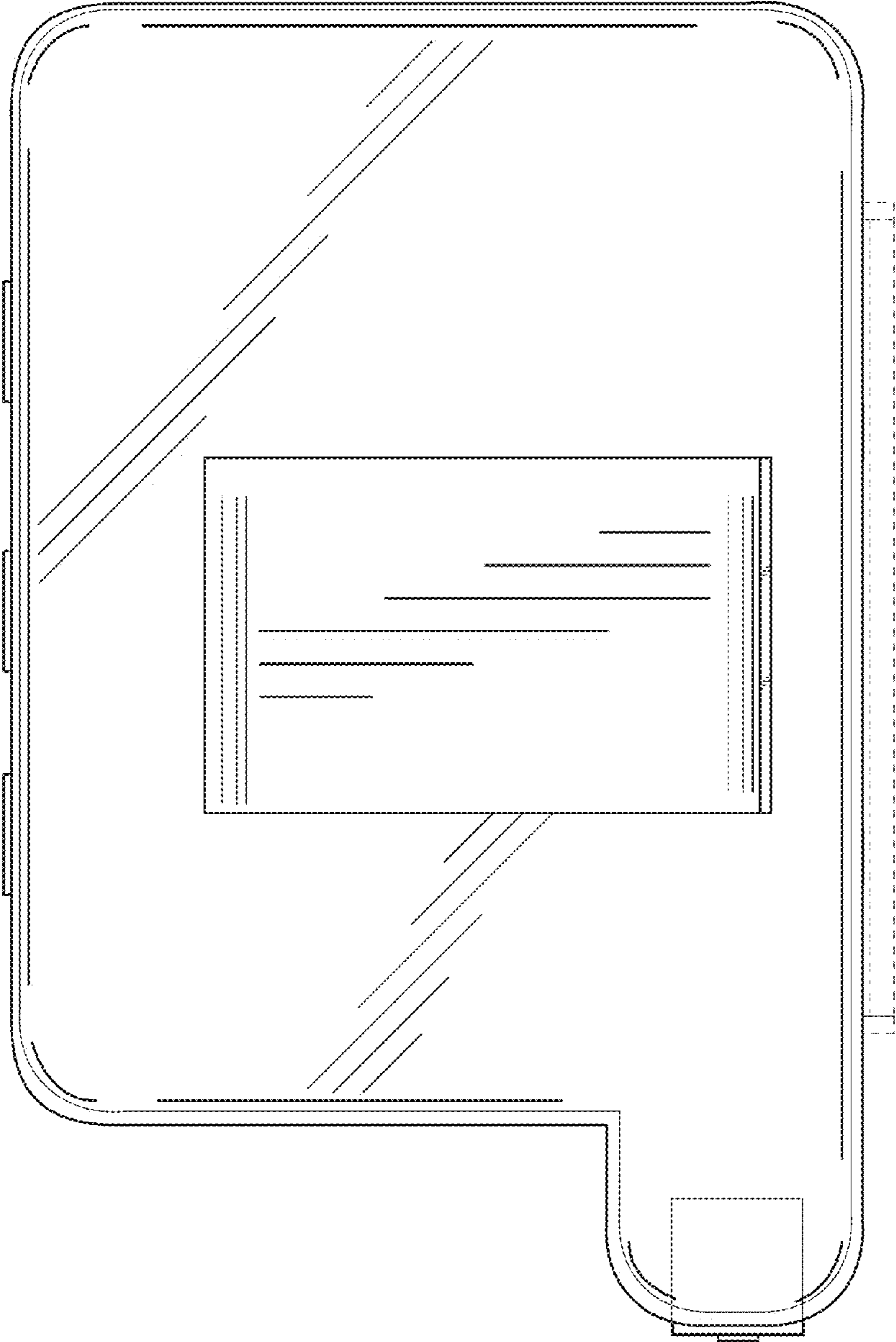


Fig. 5

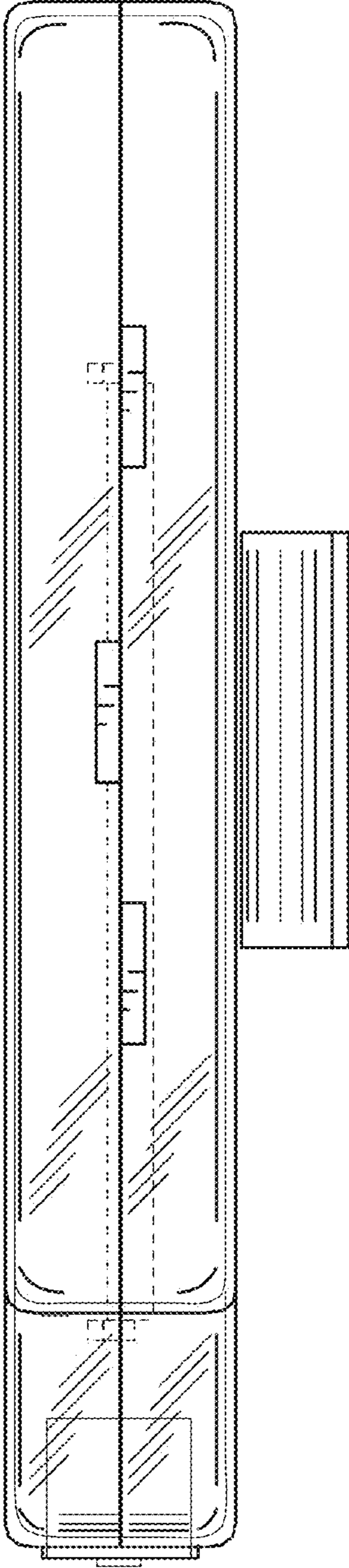


Fig. 6

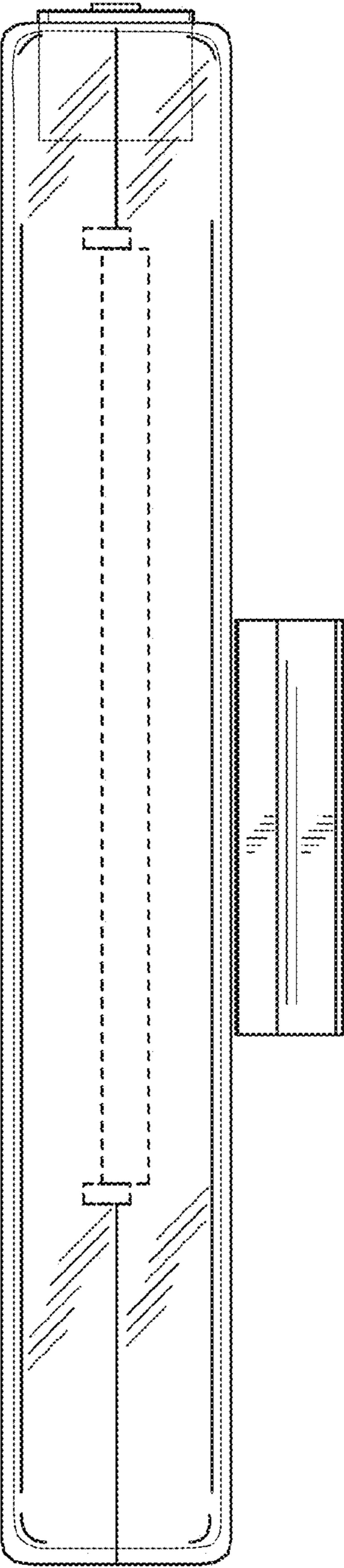


Fig. 7

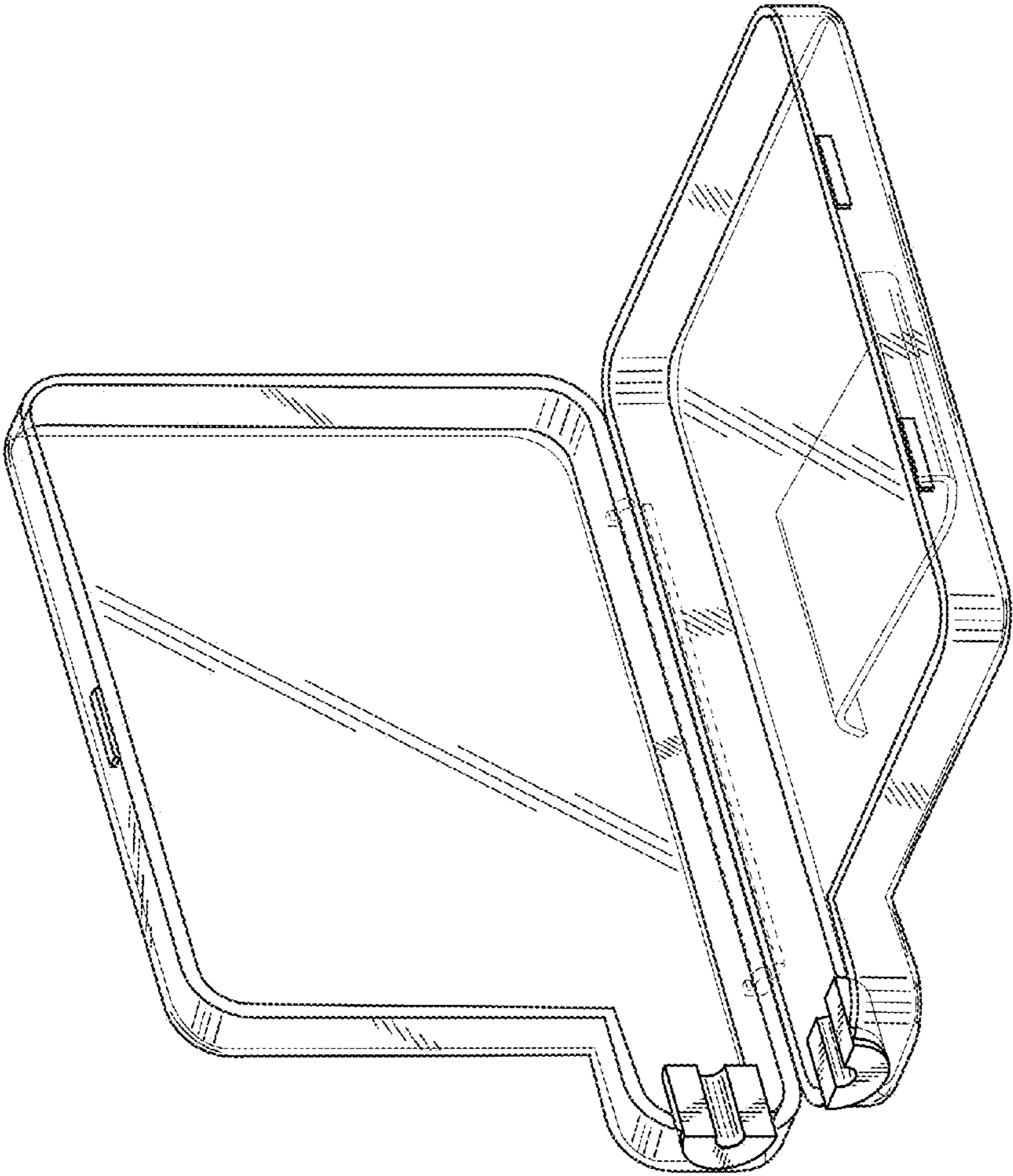


Fig. 8