



US00D693100S

(12) **United States Design Patent**
Dushey et al.

(10) **Patent No.:** **US D693,100 S**
(45) **Date of Patent:** **** Nov. 12, 2013**

- (54) **SANDAL**
- (75) Inventors: **Selim Dushey**, Brooklyn, NY (US);
Stuart Alan Kalinsky, New York, NY (US)
- (73) Assignee: **Wellrox, LLC**, Brooklyn, NY (US)
- (**) Term: **14 Years**
- (21) Appl. No.: **29/423,710**
- (22) Filed: **Jun. 4, 2012**
- (51) **LOC (9) Cl.** **02-04**
- (52) **U.S. Cl.**
USPC **D2/917**
- (58) **Field of Classification Search**
USPC D2/896, 900, 916-918, 943, 946, 957,
D2/969; 36/45, 11.5, 90, 101, 3 A, 50.1,
36/7.5, 9 R, 43, 88, 94
See application file for complete search history.

- D634,920 S * 3/2011 Martinez et al. D2/917
- D646,870 S * 10/2011 Patterson D2/917
- D654,670 S * 2/2012 Nelson D2/917
- D659,955 S * 5/2012 Dushey et al. D2/916
- D659,957 S * 5/2012 Dushey et al. D2/917
- D660,561 S * 5/2012 Dushey et al. D2/916
- D660,562 S * 5/2012 Dushey et al. D2/917
- D665,978 S * 8/2012 Green et al. D2/917

* cited by examiner

Primary Examiner — Robert M Spear
Assistant Examiner — Rashida C McCoy
(74) *Attorney, Agent, or Firm* — Israel Nissenbaum

(57) **CLAIM**
The ornamental design for a sandal, as shown and described.

DESCRIPTION

FIG. 1 is a right side perspective view of a design of a sandal. FIG. 2 shows a right side view of the sandal of FIG. 1. FIG. 3 shows a left side view of the sandal of FIG. 1. FIG. 4 shows a front view of the sandal of FIG. 1. FIG. 5 shows a rear view of the sandal of FIG. 1; and, FIG. 6 shows a top view of the sandal of FIG. 1. The dashed lines show unclaimed environment.

1 Claim, 3 Drawing Sheets

- (56) **References Cited**
U.S. PATENT DOCUMENTS
D591,936 S * 5/2009 Frederiksen et al. D2/917
D593,733 S * 6/2009 Frederiksen et al. D2/917

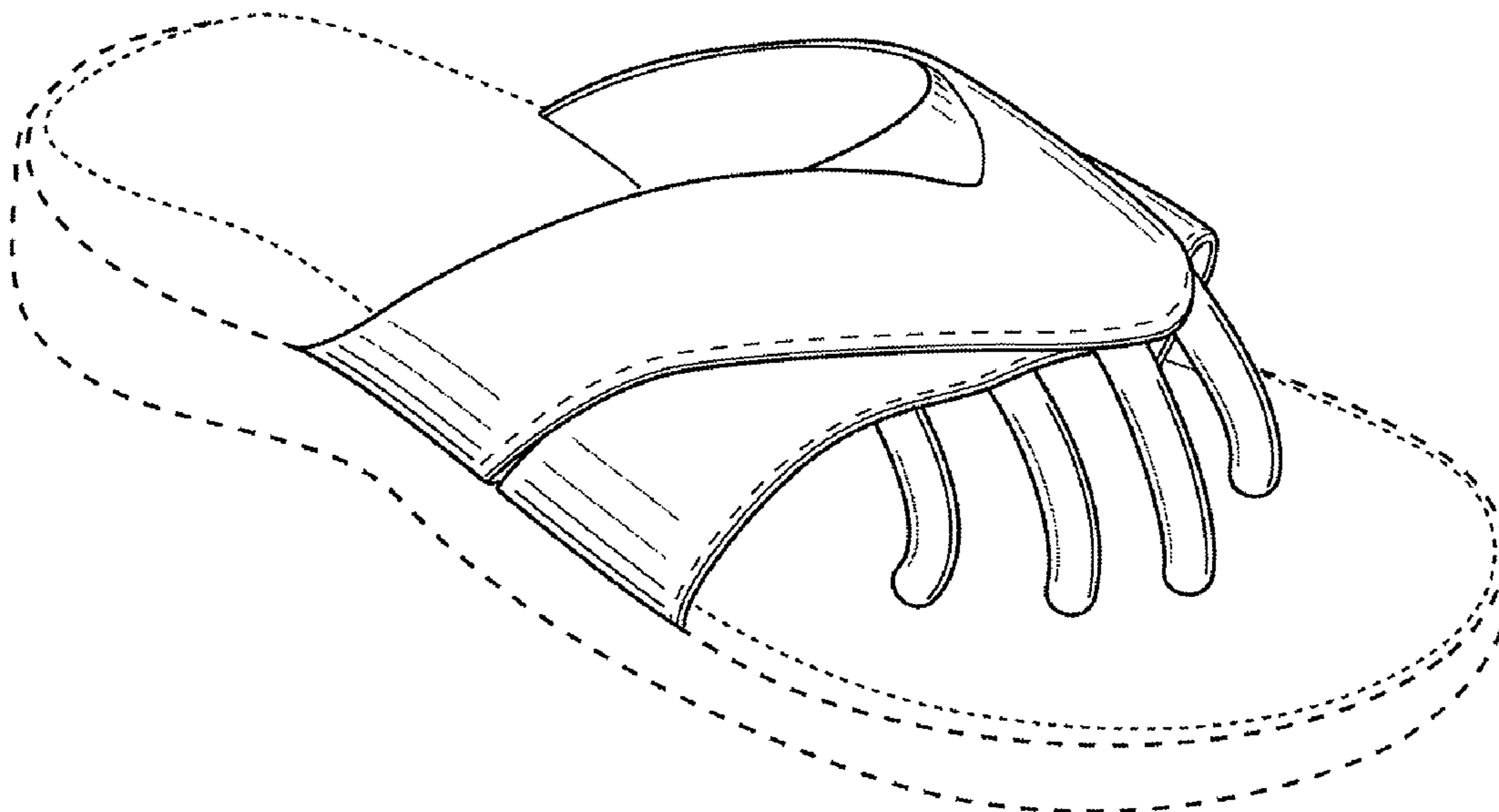


FIG. 1

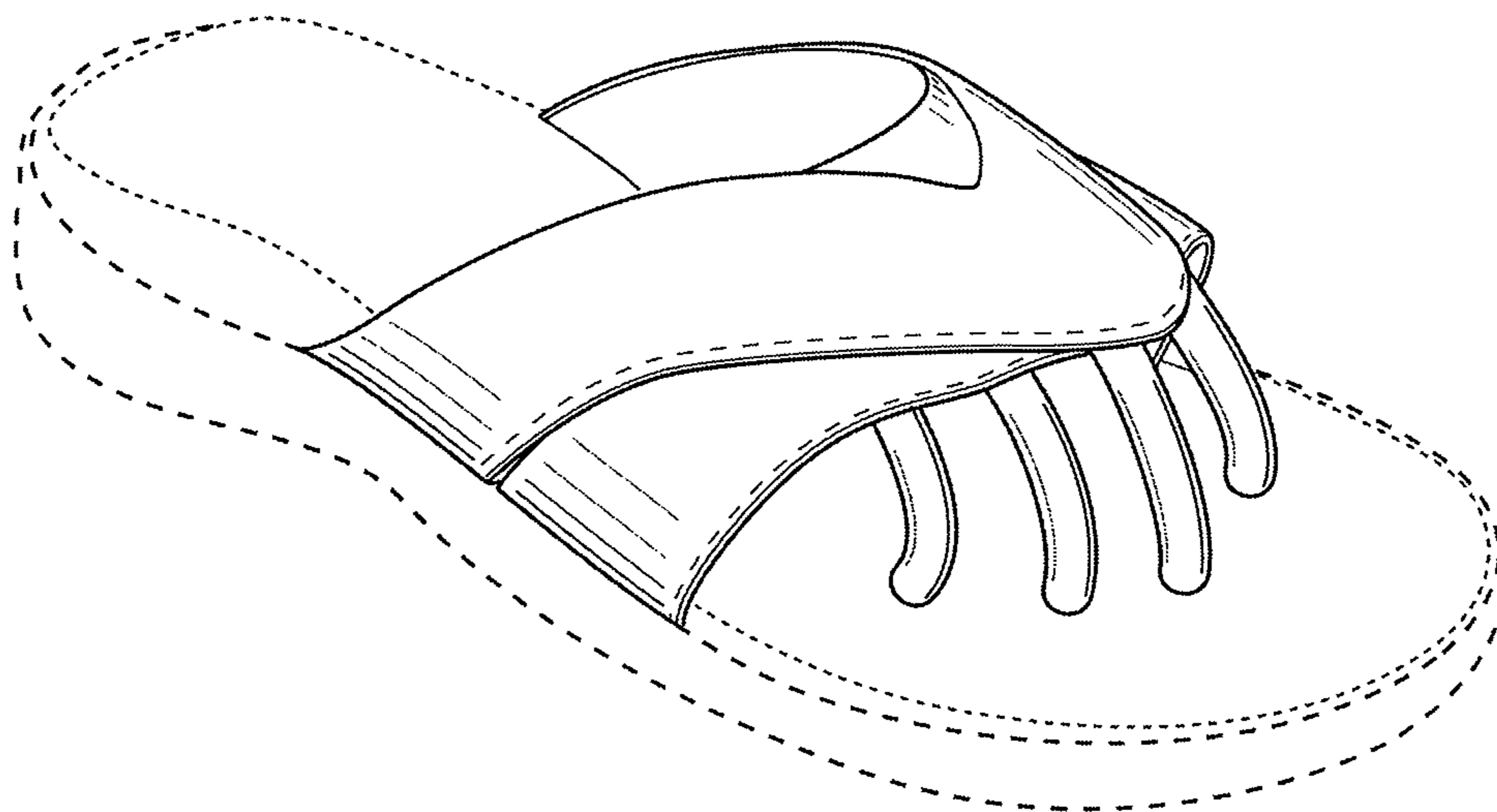


FIG. 2

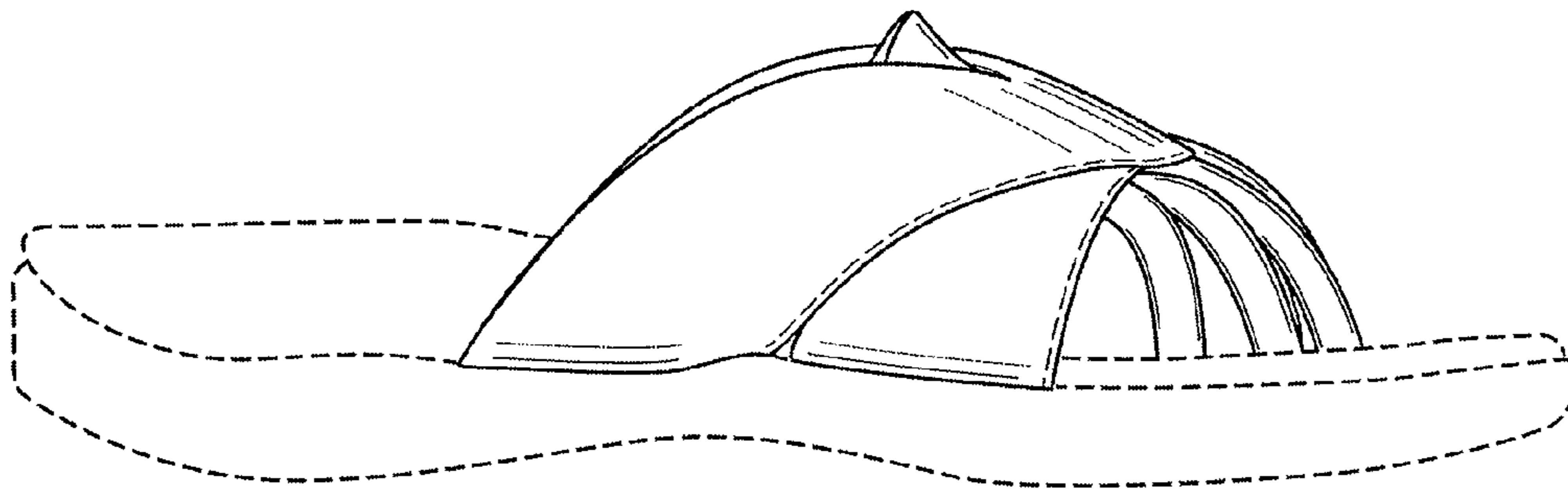


FIG. 3

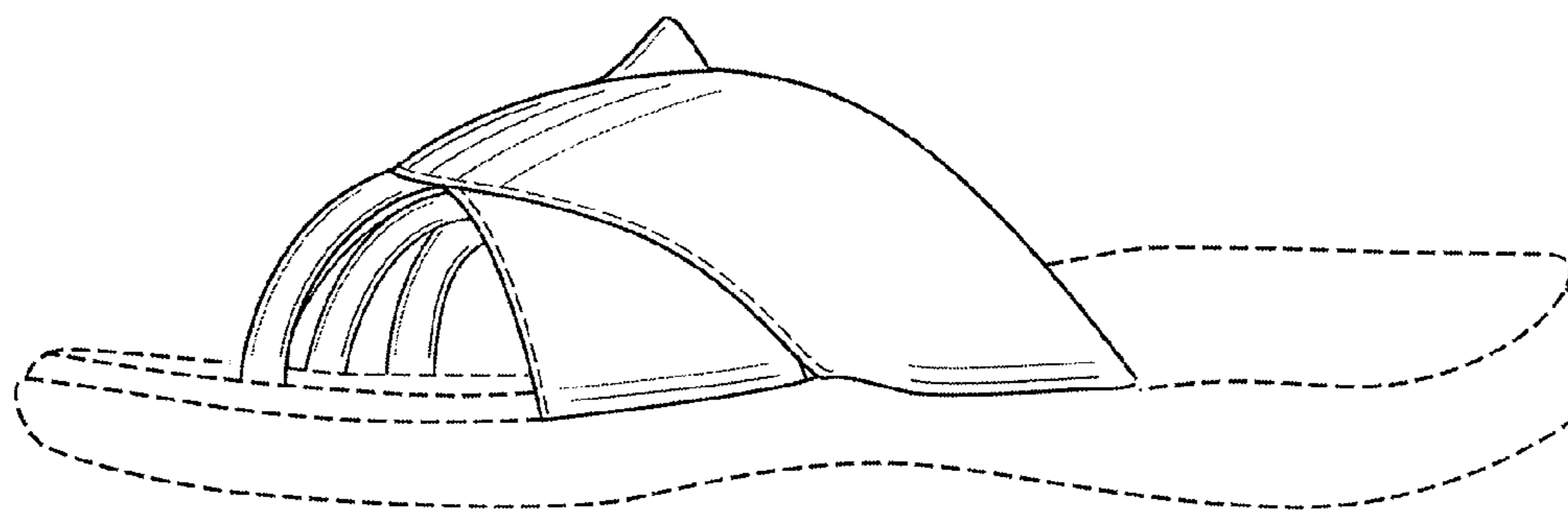


FIG. 4

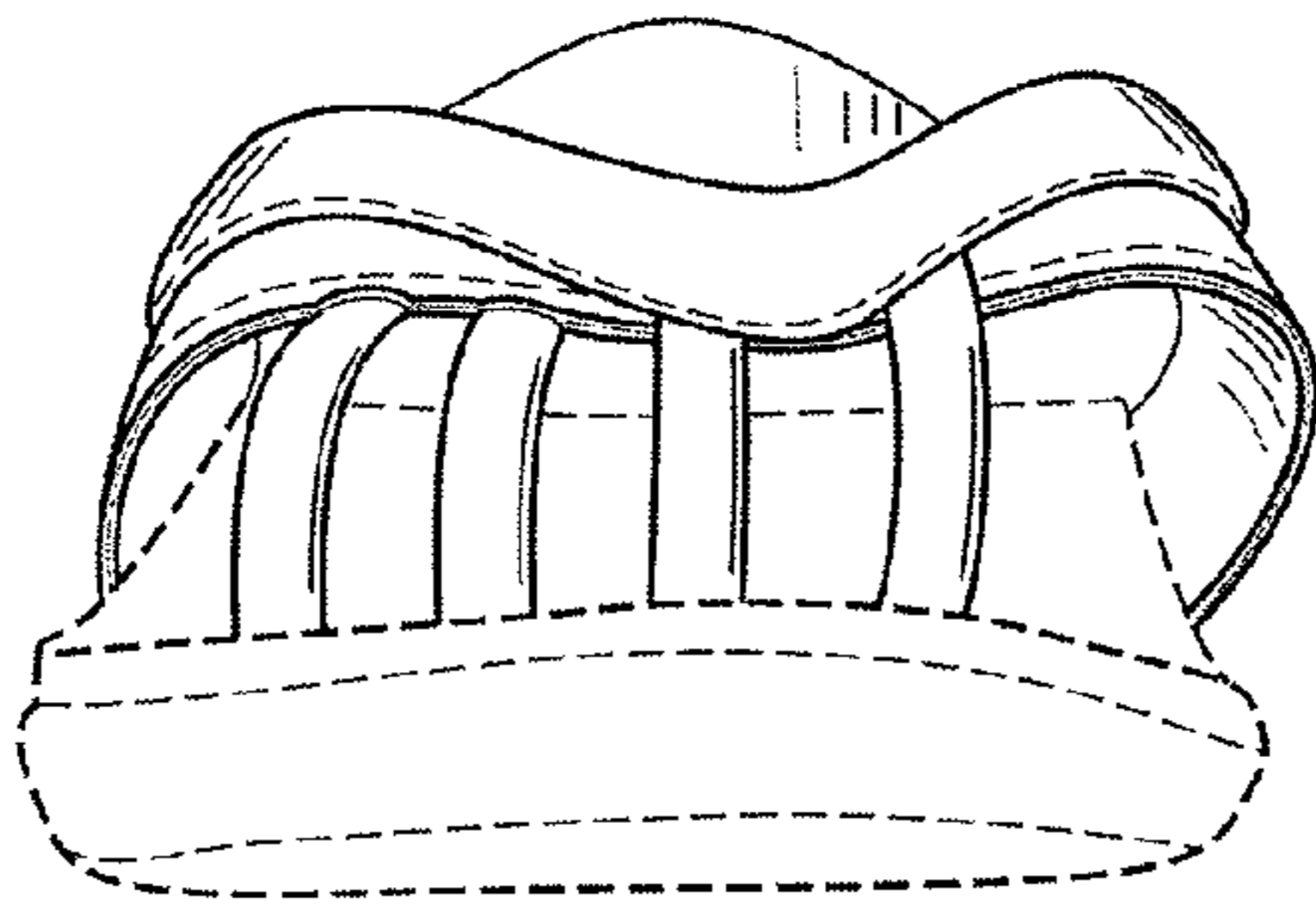


FIG. 5

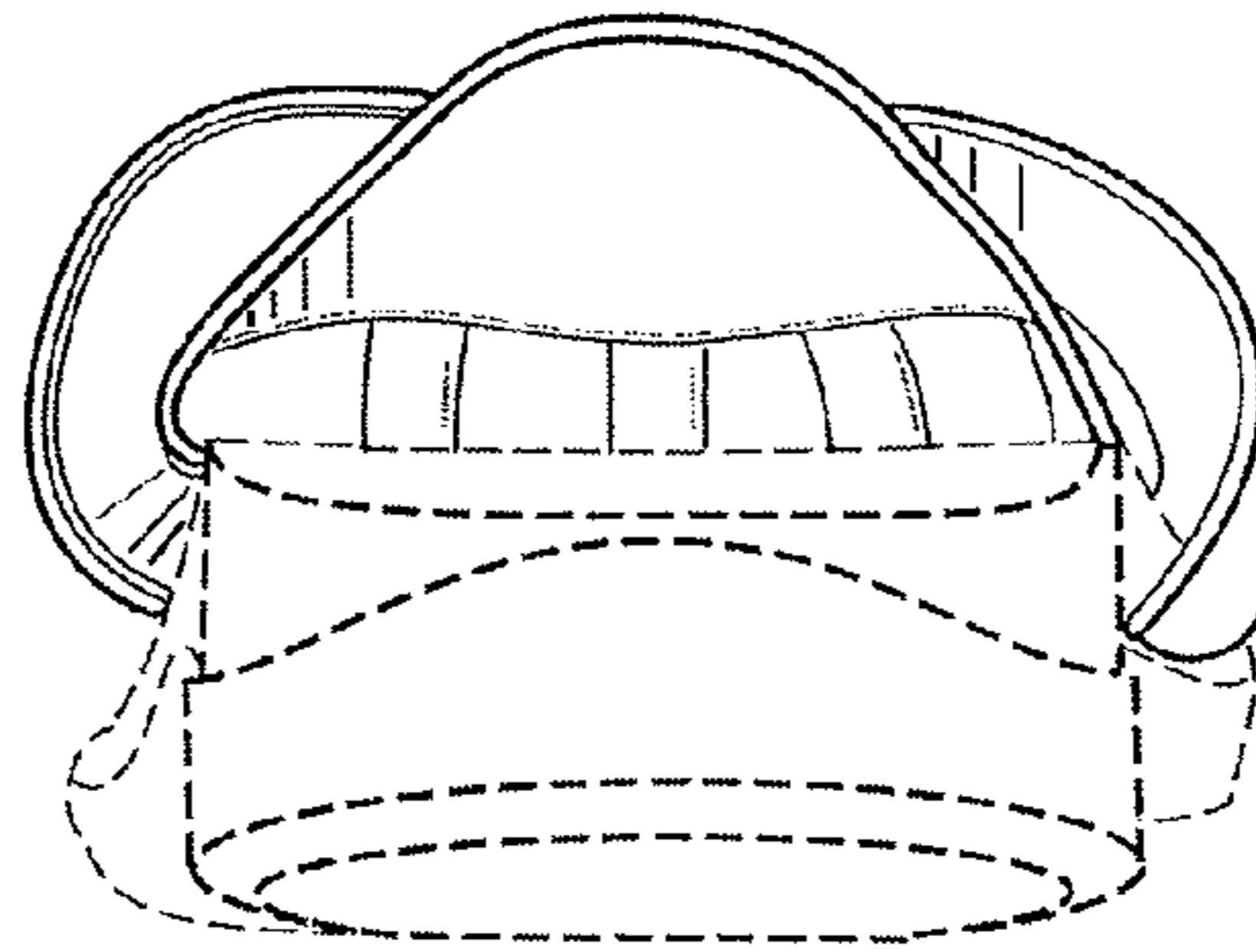


FIG. 6

