



US00D693086S

(12) **United States Design Patent**  
**Rana**

(10) **Patent No.:** **US D693,086 S**  
(45) **Date of Patent:** **\*\* Nov. 12, 2013**

- (54) **RAVIOLI WITH FORK IMPRINT**
- (71) Applicant: **Pastificio Rana S.P.A.**, San Giovanni Lupatoto (IT)
- (72) Inventor: **Gian Luca Rana**, San Giovanni Lupatoto (IT)
- (73) Assignee: **Pastificio Rana S.p.A.**, San Giovanni Lupatoto (IT)
- (\*\*) Term: **14 Years**
- (21) Appl. No.: **29/449,904**
- (22) Filed: **Mar. 15, 2013**

D151,871 S	11/1948	Carapellotti	
2,637,860 A *	5/1953	Lehigh	5/502
D191,348 S	9/1961	Ambrette et al.	
3,388,675 A	6/1968	Marshall	
D226,038 S	1/1973	Barere	
D230,903 S	3/1974	Barnes	
D279,751 S	7/1985	Potts et al.	
D298,147 S	10/1988	Tesla	
4,929,367 A *	5/1990	Thomas et al.	8/137
D309,521 S	7/1990	Eureka et al.	
D339,708 S	9/1993	DeStefanis	
D345,207 S	3/1994	Benell et al.	
D354,906 S *	1/1995	Lane et al.	D9/707
D357,565 S	4/1995	Christensen	
D408,959 S	5/1999	Ligresti	
D445,675 S	7/2001	Richardson	

(Continued)

**OTHER PUBLICATIONS**

“Uncooked chesnut ravioli”, [retrieved online on Apr. 8, 2013]. URL: <http://www.flickr.com/photos/49292788@No3/4521677894/>; 1 page.

*Primary Examiner* — Deanna L. Pratt  
*Assistant Examiner* — Katie Mrocicka  
(74) *Attorney, Agent, or Firm* — Pearne & Gordon LLP

**Related U.S. Application Data**

- (62) Division of application No. 29/390,719, filed on Apr. 28, 2011, now Pat. No. Des. 685,977.
- (51) **LOC (9) Cl.** ..... **01-01**
- (52) **U.S. Cl.**  
USPC ..... **D1/126**
- (58) **Field of Classification Search**  
USPC ..... D1/100–130, 199; 426/94, 104, 138, 426/143, 144, 274, 283, 303, 391, 512, 514, 426/518, 549; D6/597; D7/675; D9/707, D9/710; D28/8.1

See application file for complete search history.

(57) **CLAIM**  
The ornamental design for ravioli with fork imprint, as shown and described.

**DESCRIPTION**

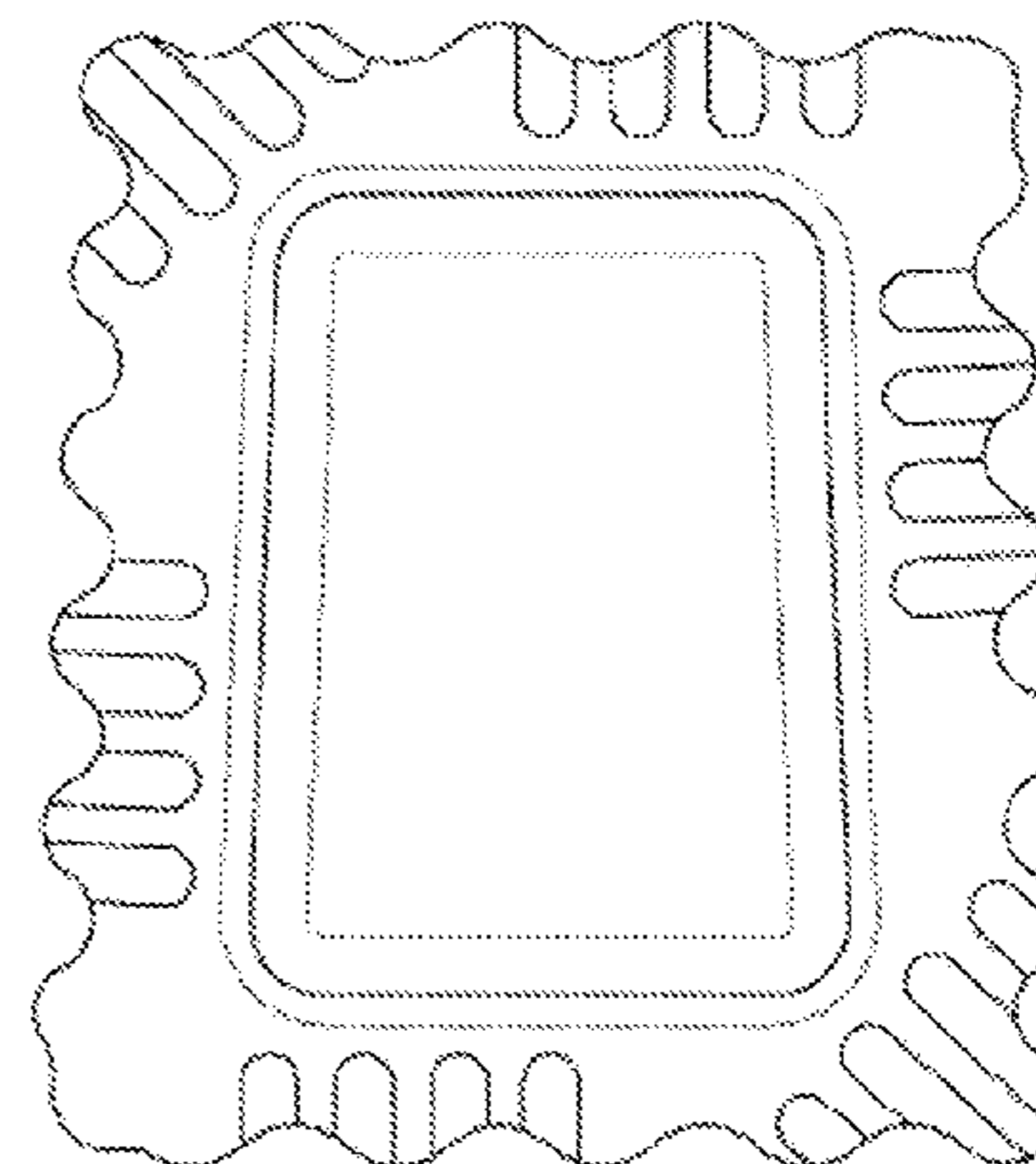
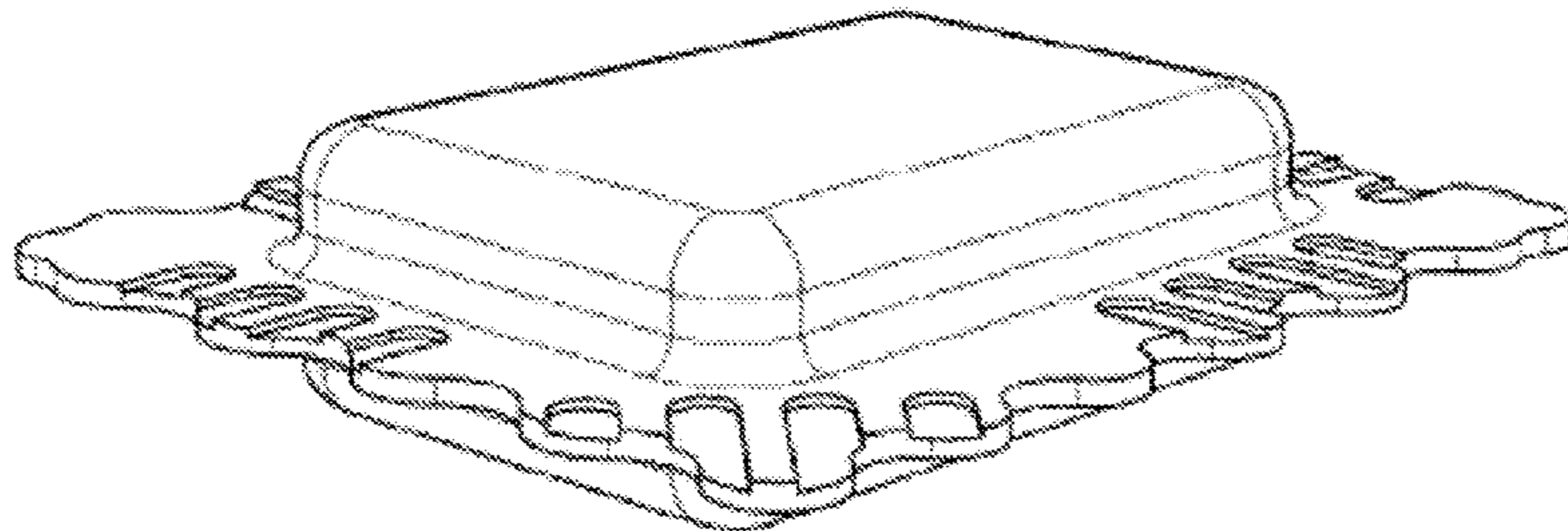
FIG. 1 is a perspective view of a ravioli with fork imprint, showing my new design;  
FIG. 2 is a front elevational view thereof;  
FIG. 3 is a back elevational view thereof;  
FIG. 4 is a left side elevational view thereof;  
FIG. 5 is a right side elevational view thereof;  
FIG. 6 is a top plan view thereof; and,  
FIG. 7 is a bottom plan view thereof.

**1 Claim, 4 Drawing Sheets**

(56) **References Cited**

**U.S. PATENT DOCUMENTS**

D28,989 S	7/1898	Conway	
D32,311 S	3/1900	Klyn	
795,108 A *	7/1905	Doellinger	5/644
796,561 A	8/1905	Buschner	
1,077,835 A	11/1913	Kelly	
D49,904 S *	11/1916	Loose	D1/128
1,596,652 A	8/1926	Giovannetti	
2,373,182 A	4/1945	Gamache	



(56)

**References Cited**

U.S. PATENT DOCUMENTS

D448,961 S	10/2001	Sclichter	
D463,265 S *	9/2002	Jones .....	D9/710
D463,943 S	10/2002	Simonis	
D472,799 S	4/2003	Ghatlia et al.	
D477,992 S *	8/2003	Dennis et al. ....	D9/710
D479,937 S	9/2003	Harrelson	
D483,150 S *	12/2003	Cummings .....	D28/8.1
D489,511 S	5/2004	Creo	
D492,464 S	7/2004	Creo	
D494,317 S	8/2004	Jowett et al.	
D494,733 S	8/2004	Creo	
D507,677 S *	7/2005	McLeish .....	D28/8.1
D518,917 S	4/2006	Jowett et al.	
D546,612 S *	7/2007	Makin .....	D6/595
D568,576 S	5/2008	Neidle et al.	
D572,876 S	7/2008	Miceli	
D578,014 S	10/2008	Friedland et al.	
D583,679 S	12/2008	Friedland et al.	
D585,626 S	2/2009	Chappell, Sr. et al.	
D614,029 S	4/2010	Lake, Jr.	
7,943,188 B1	5/2011	Pienkos	
D666,359 S *	8/2012	Nixon .....	D28/8.1
D668,019 S	10/2012	Rana	
D670,067 S	11/2012	Yamada	
D671,353 S *	11/2012	Munn .....	D6/601
D684,338 S *	6/2013	Di Caro .....	D1/126
D685,977 S *	7/2013	Rana .....	D1/126

\* cited by examiner

FIG. 1

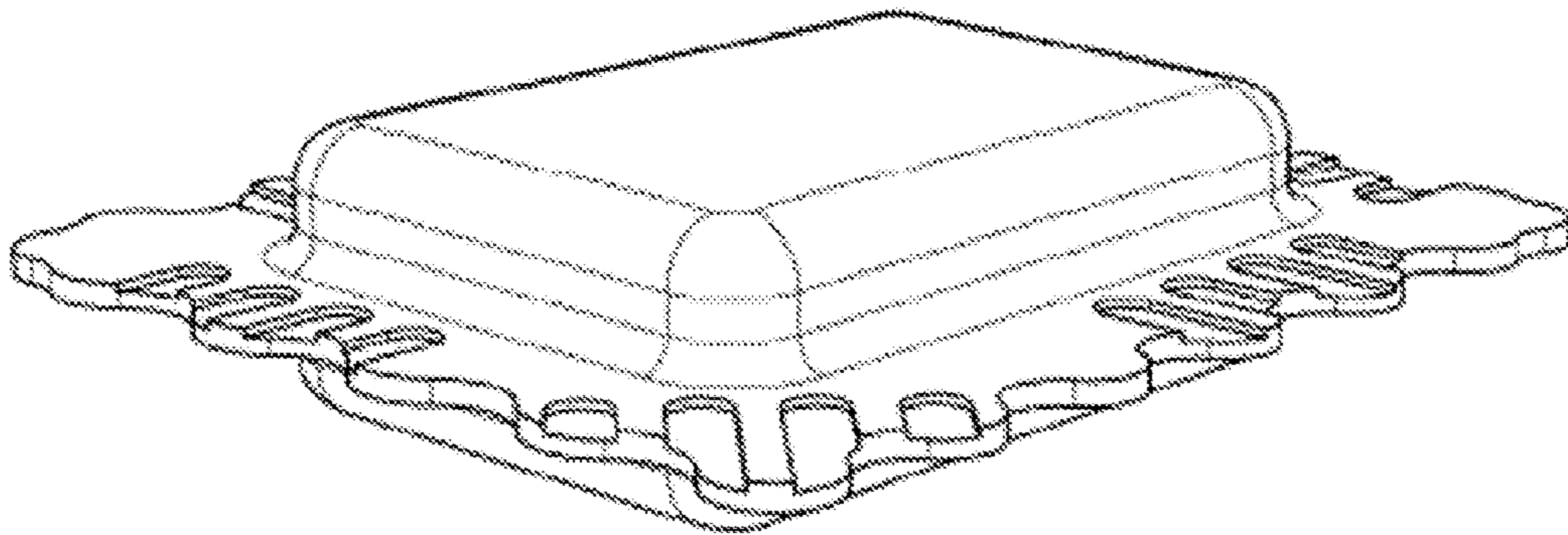


FIG. 2



FIG. 3



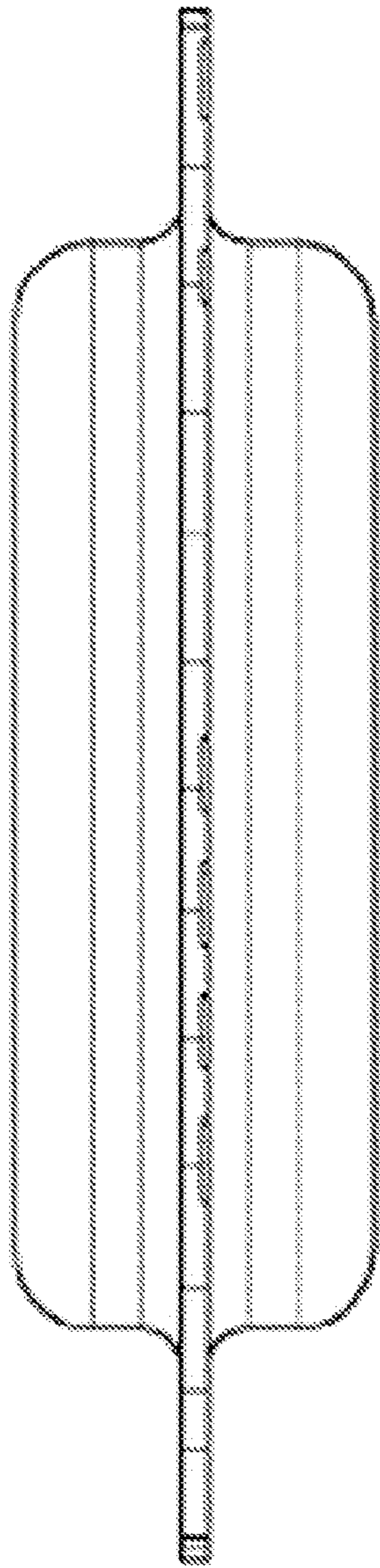


FIG. 4

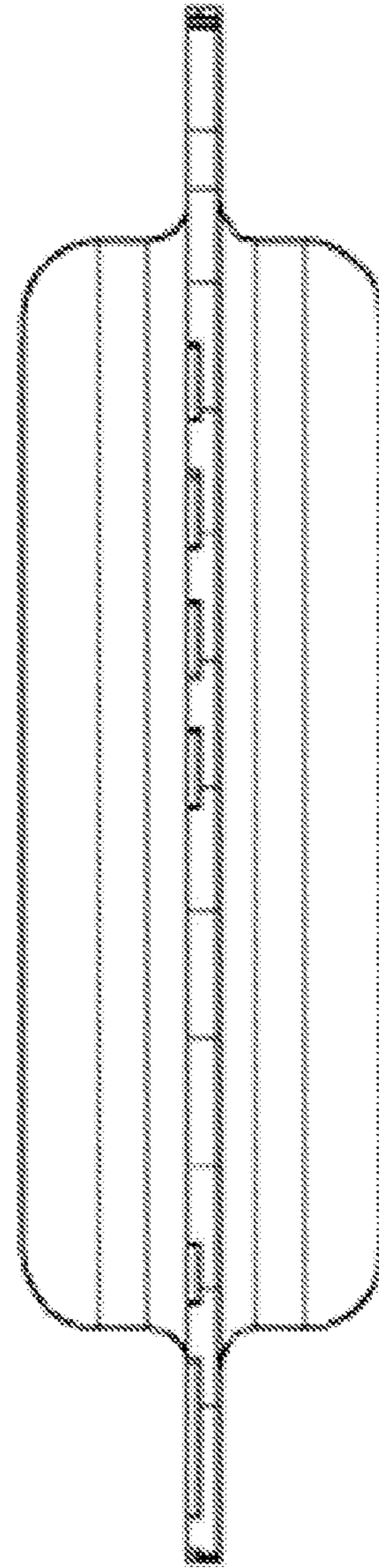


FIG. 5

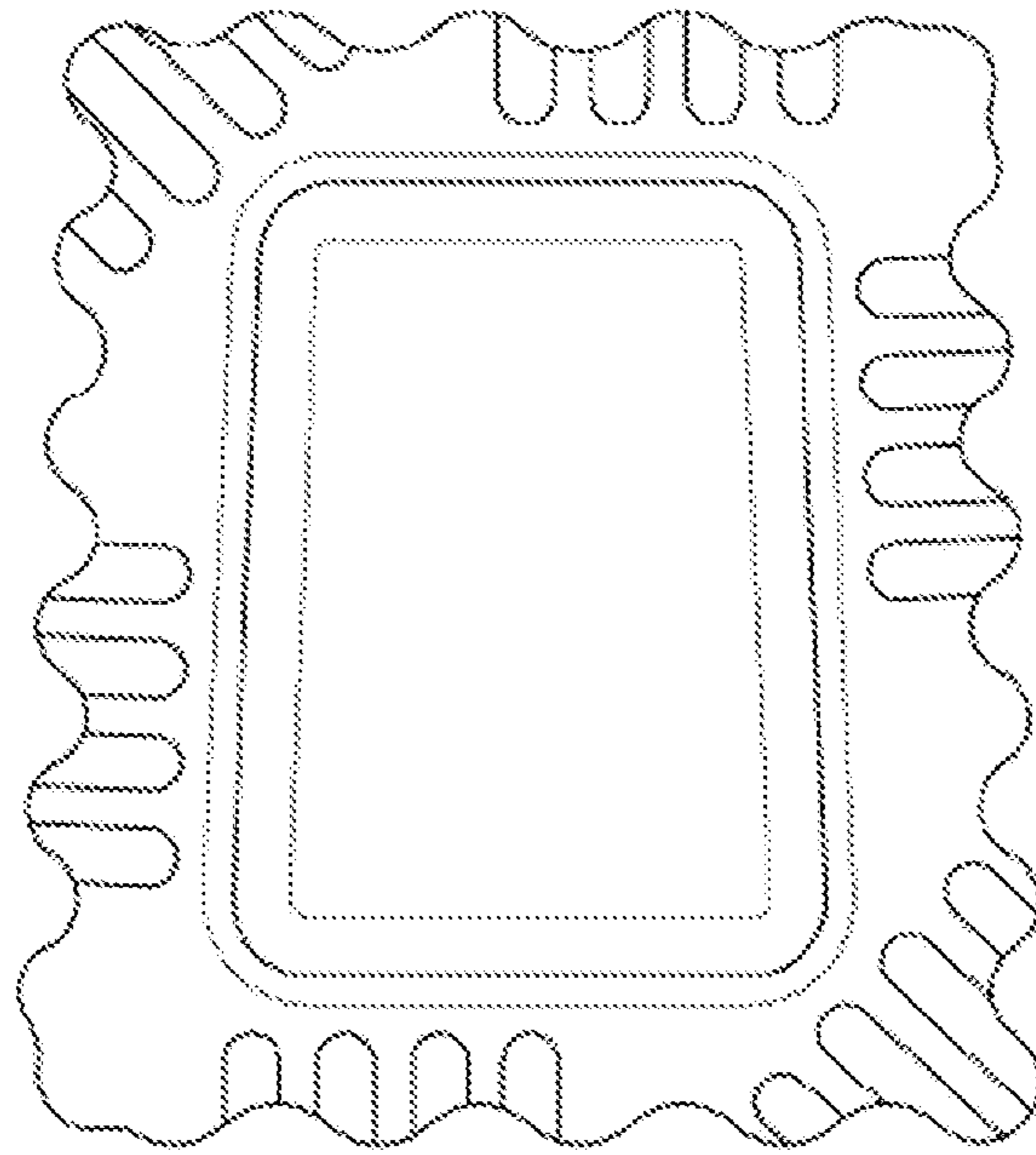


FIG. 6

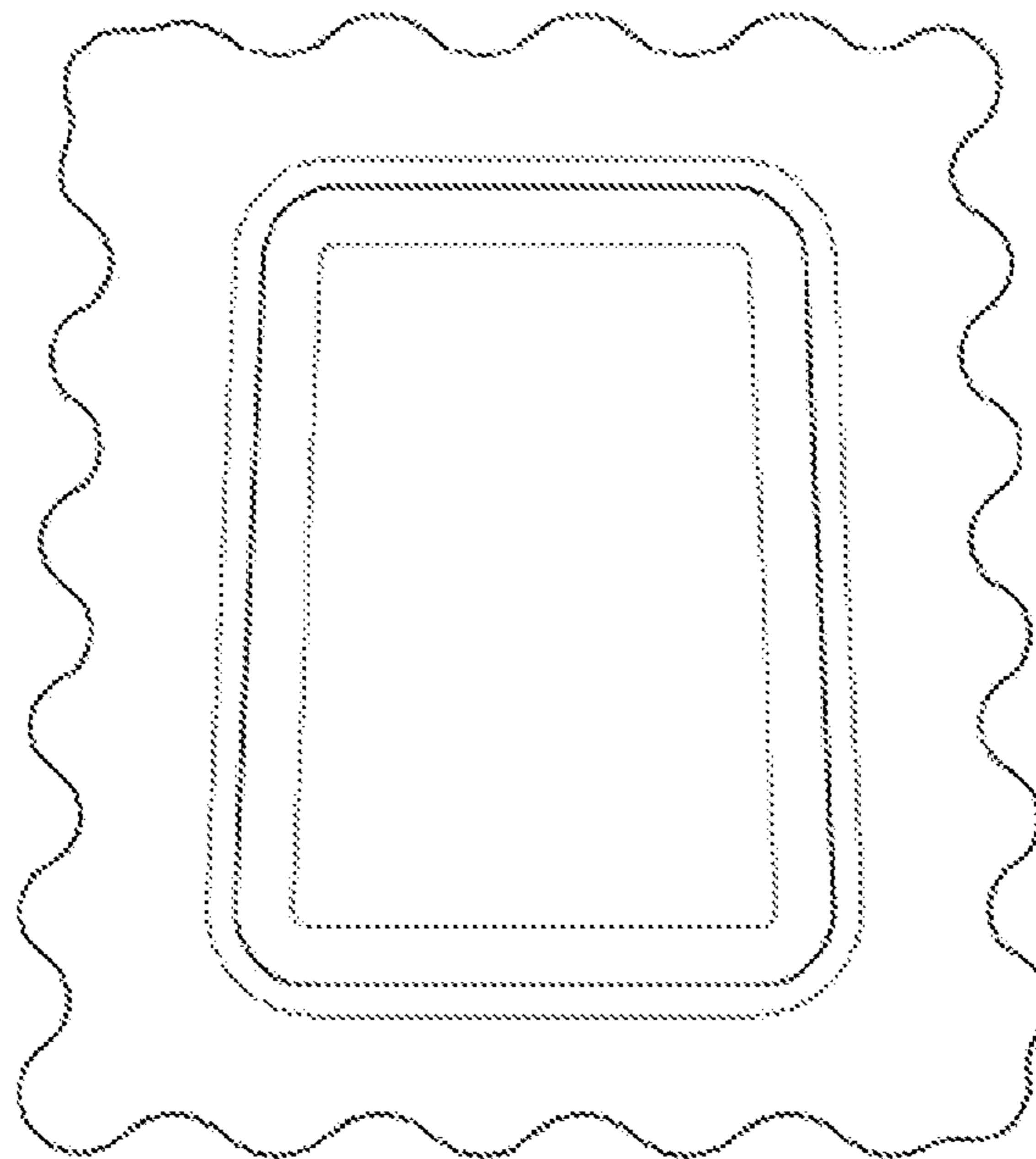


FIG. 7