



US00D693084S

(12) **United States Design Patent**
Aupperlee

(10) **Patent No.:** **US D693,084 S**

(45) **Date of Patent:** **** Nov. 5, 2013**

(54) **WHEELBARROW STORAGE ATTACHMENT**

(76) Inventor: **Sandra Aupperlee, Cotuit, MA (US)**

(**) Term: **14 Years**

(21) Appl. No.: **29/417,581**

(22) Filed: **Apr. 5, 2012**

(51) **LOC (9) Cl.** **12-02**

(52) **U.S. Cl.**
USPC **D34/27**

(58) **Field of Classification Search**
USPC D34/12-27; 280/47.315, 47.32, 47.19,
280/47.31, 1.5; D3/277, 273, 306
See application file for complete search history.

(56) **References Cited**

U.S. PATENT DOCUMENTS

2,768,022	A *	10/1956	Pope	296/26.06
D230,834	S *	3/1974	Sonnergaard	D34/22
4,521,030	A	6/1985	Vance	
D289,817	S *	5/1987	Morrisette	D34/25
4,708,274	A	11/1987	Roche	
4,758,010	A	7/1988	Christie et al.	
4,765,644	A *	8/1988	Bell	280/641
5,374,095	A *	12/1994	Ramseth	296/32
5,415,421	A	5/1995	Godwin	
5,649,718	A *	7/1997	Groglio	280/641
5,687,979	A	11/1997	Plevka	
D393,129	S *	3/1998	Yemini	D34/16
6,213,482	B1 *	4/2001	Yemini	280/47.26
7,195,248	B1	3/2007	Miesch	
D585,195	S *	1/2009	Dominique et al.	D3/304
D595,470	S *	6/2009	Albert et al.	D34/27

7,543,870	B2 *	6/2009	Schwartz	296/24.33
D639,561	S *	6/2011	Hardy et al.	D3/306
D641,980	S *	7/2011	Macoretta	D3/306
D677,056	S *	3/2013	Hu	D3/306
D683,963	S *	6/2013	Tsai	D3/304
D684,744	S *	6/2013	Walter	D34/27
2002/0144935	A1	10/2002	Tims	
2005/0077299	A1 *	4/2005	Cheng et al.	220/485
2005/0173878	A1 *	8/2005	Espejo	280/47.34

* cited by examiner

Primary Examiner — Cynthia Ramirez

(74) *Attorney, Agent, or Firm* — Lambert & Associates;
Gary E. Lambert; David J. Connaughton, Jr.

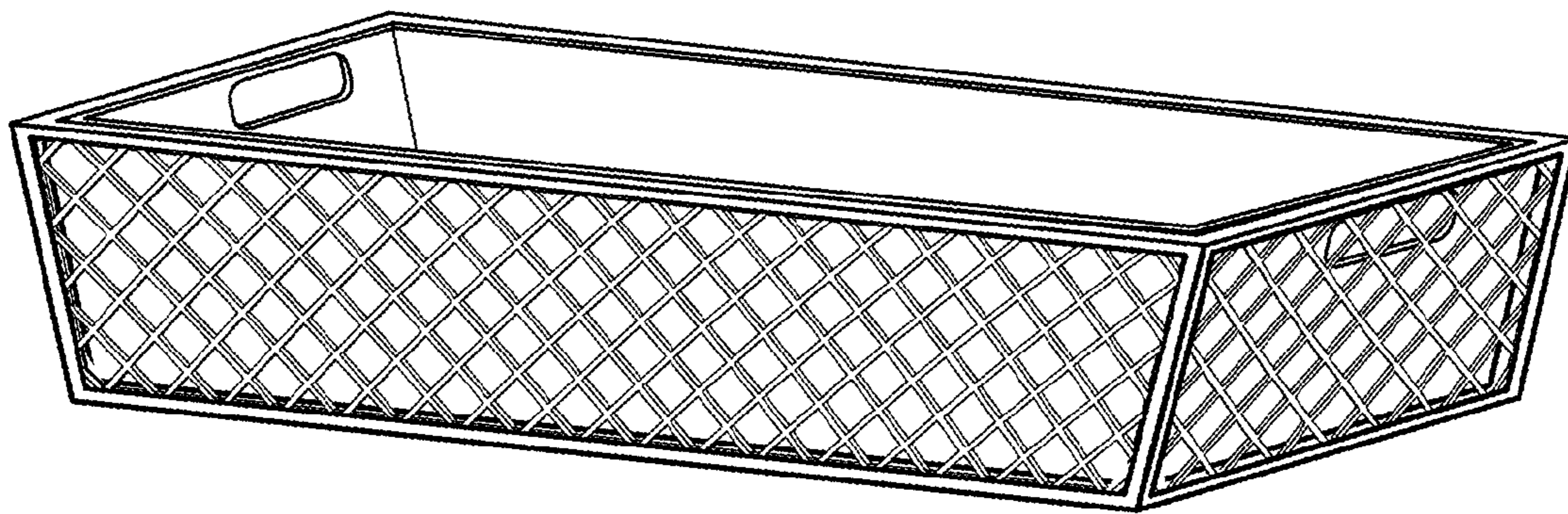
(57) **CLAIM**

The ornamental design for a wheelbarrow storage attachment, as shown and described.

DESCRIPTION

FIG. 1 is a perspective view of the wheelbarrow storage attachment, which embodies my design;
FIG. 2 is an exploded perspective view of the wheelbarrow storage attachment;
FIG. 3 is a side view of the wheelbarrow storage attachment;
FIG. 4 is a front view of the wheelbarrow storage attachment;
FIG. 5 is a bottom view of the wheelbarrow storage attachment;
FIG. 6 is a top view of the wheelbarrow storage attachment;
and,
FIG. 7 is a perspective view of the wheelbarrow storage attachment.

1 Claim, 3 Drawing Sheets



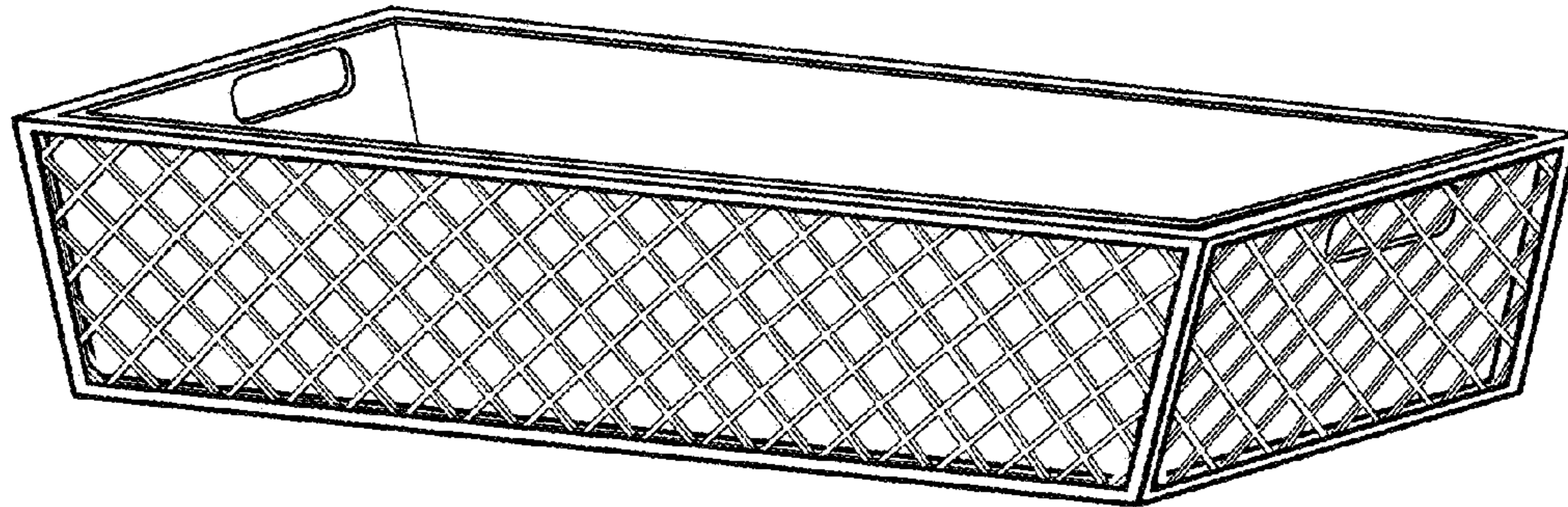


Fig. 1

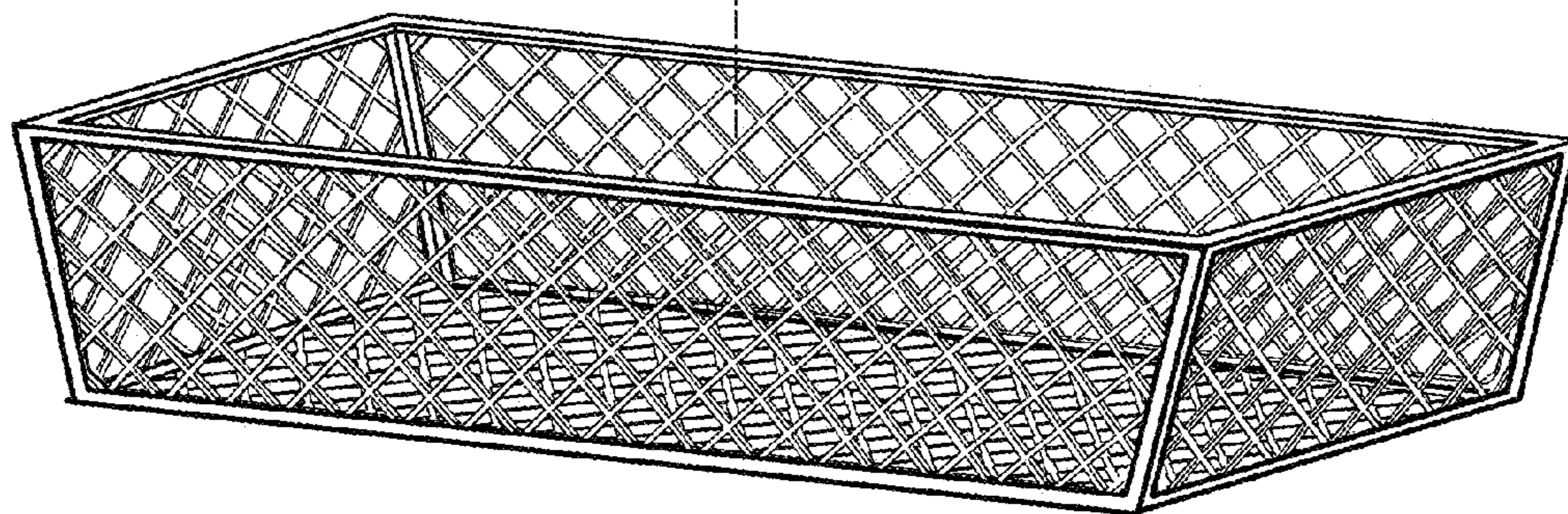
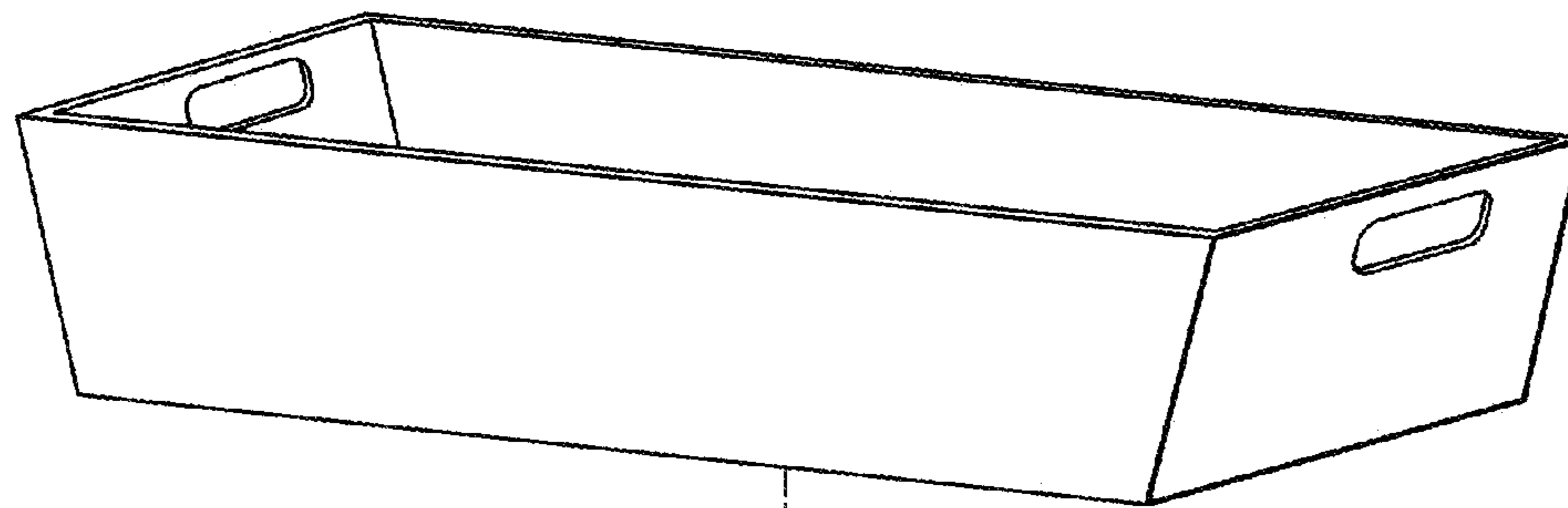


Fig. 2

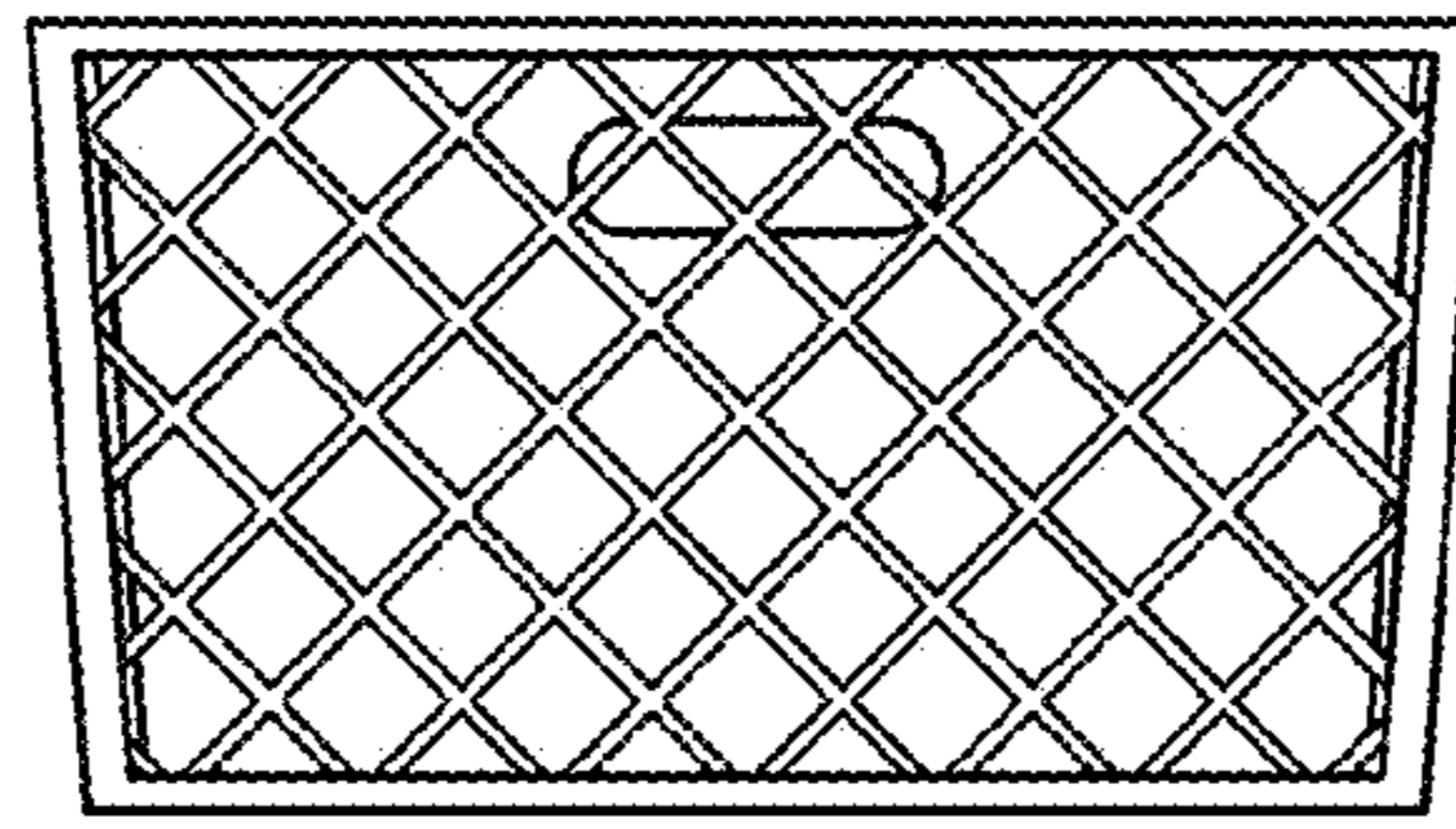


Fig. 3

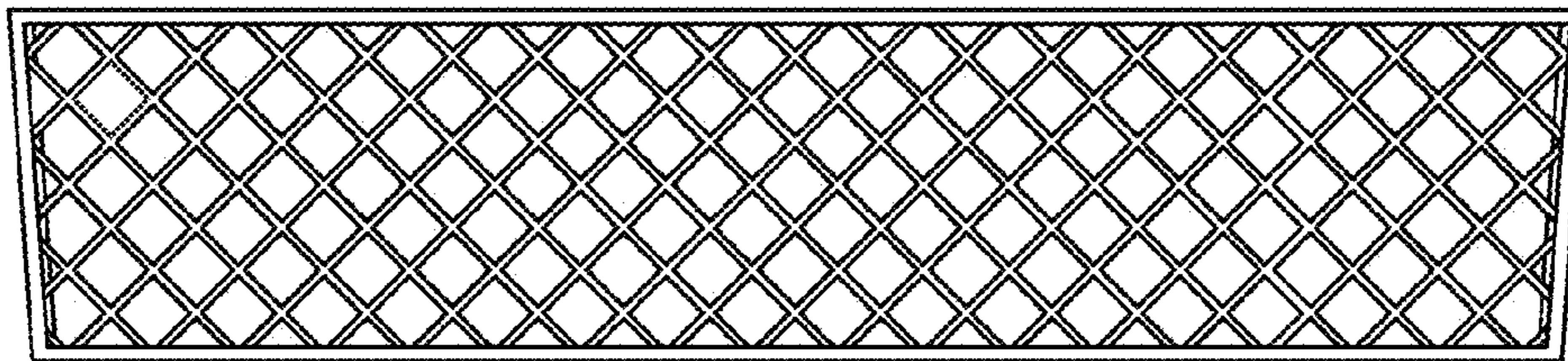


Fig. 4

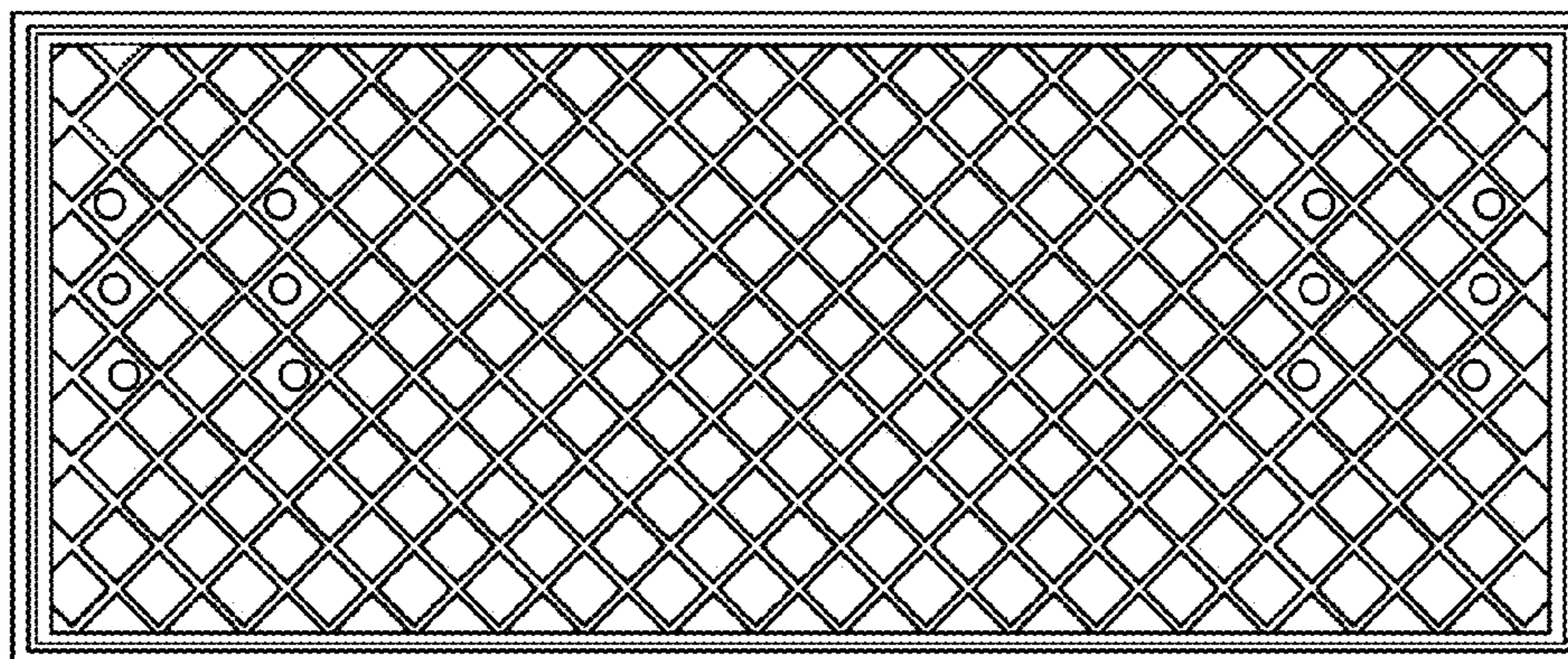


Fig. 5

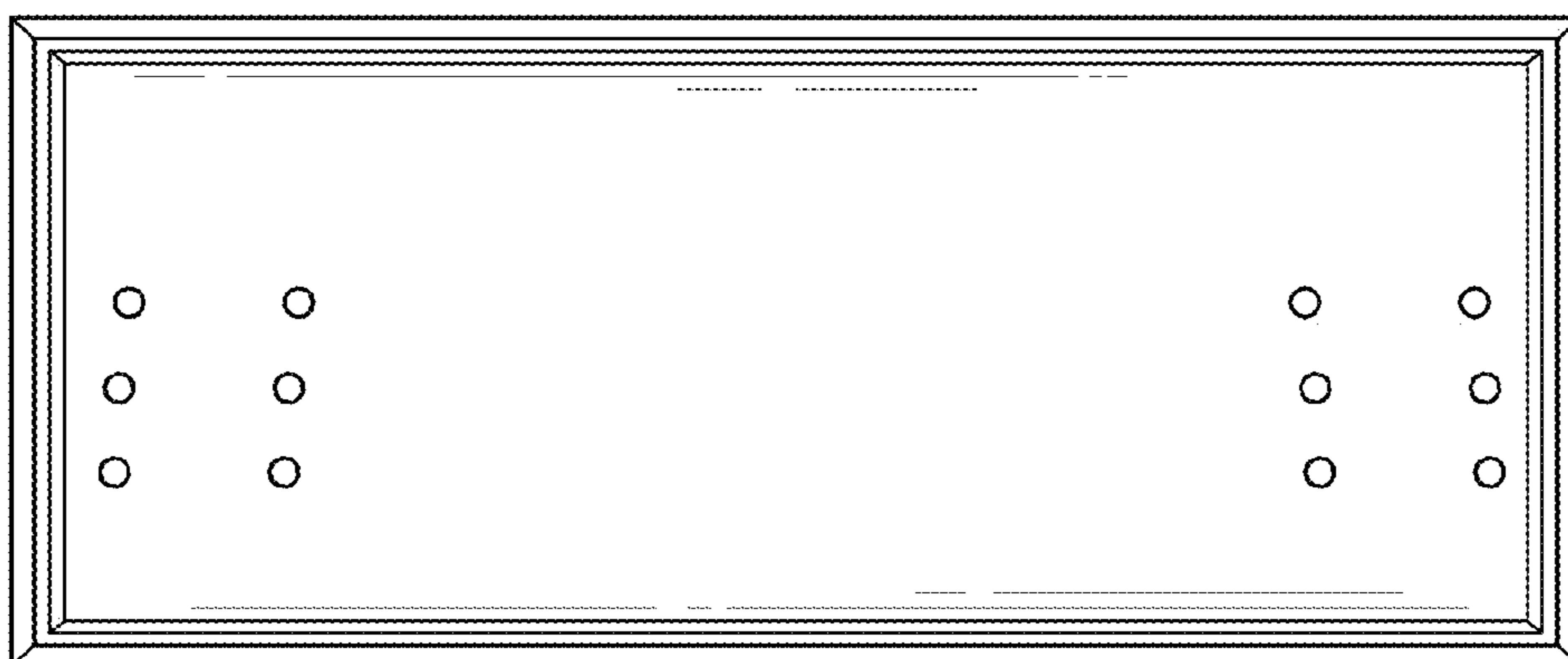


Fig. 6

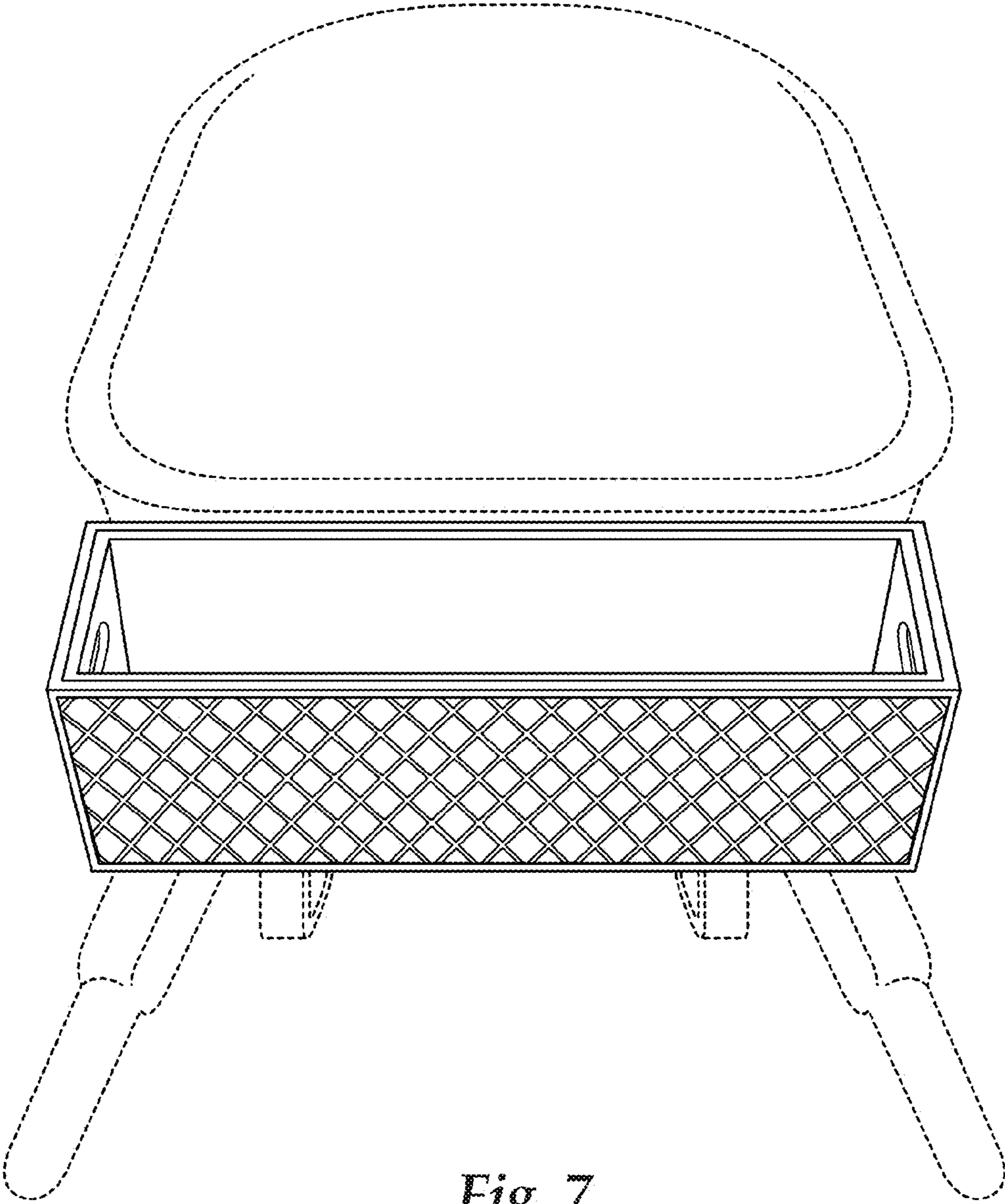


Fig. 7