



US00D693083S

(12) **United States Design Patent**
Smith

(10) **Patent No.:** **US D693,083 S**

(45) **Date of Patent:** **** Nov. 5, 2013**

(54) **STEAM GENERATOR FOR IRON**

(56) **References Cited**

(71) Applicant: **Koninklijke Philips Electronics N.V.**,
Eindhoven (NL)

U.S. PATENT DOCUMENTS

(72) Inventor: **Peter Jonathan Smith**, Amsterdam (NL)

D360,723 S *	7/1995	Kasai et al.	D32/73
D439,023 S *	3/2001	Powell	D32/73
D463,641 S *	9/2002	Powell	D32/71
D470,637 S *	2/2003	Berthier	D32/73
D470,986 S *	2/2003	Berthier	D32/73
D484,658 S *	12/2003	Schupp	D32/73
D548,418 S *	8/2007	Cahen	D32/70
D564,166 S *	3/2008	Yang	D32/73
D568,021 S *	4/2008	Lebot et al.	D32/73
D581,620 S *	11/2008	Chu	D32/68
D617,518 S *	6/2010	Choi	D32/73

(73) Assignee: **Koninklijke Philips N.V.**, Eindhoven
(NL)

(**) Term: **14 Years**

* cited by examiner

(21) Appl. No.: **29/452,030**

Primary Examiner — Austin Murphy

(22) Filed: **Apr. 11, 2013**

(57) **CLAIM**

(30) **Foreign Application Priority Data**

The ornamental design for a steam generator for iron, as shown.

Oct. 11, 2012 (EM) 002117341-0002

DESCRIPTION

(51) **LOC (9) Cl.** **07-05**

FIG. 1 is a perspective view showing my design;
FIG. 2 is a front elevational view thereof;
FIG. 3 is a rear elevational view thereof;
FIG. 4 is a right side elevational view thereof;
FIG. 5 is a left side elevational view thereof;
FIG. 6 is a top plan view thereof; and,
FIG. 7 is a bottom plan view thereof.

(52) **U.S. Cl.**

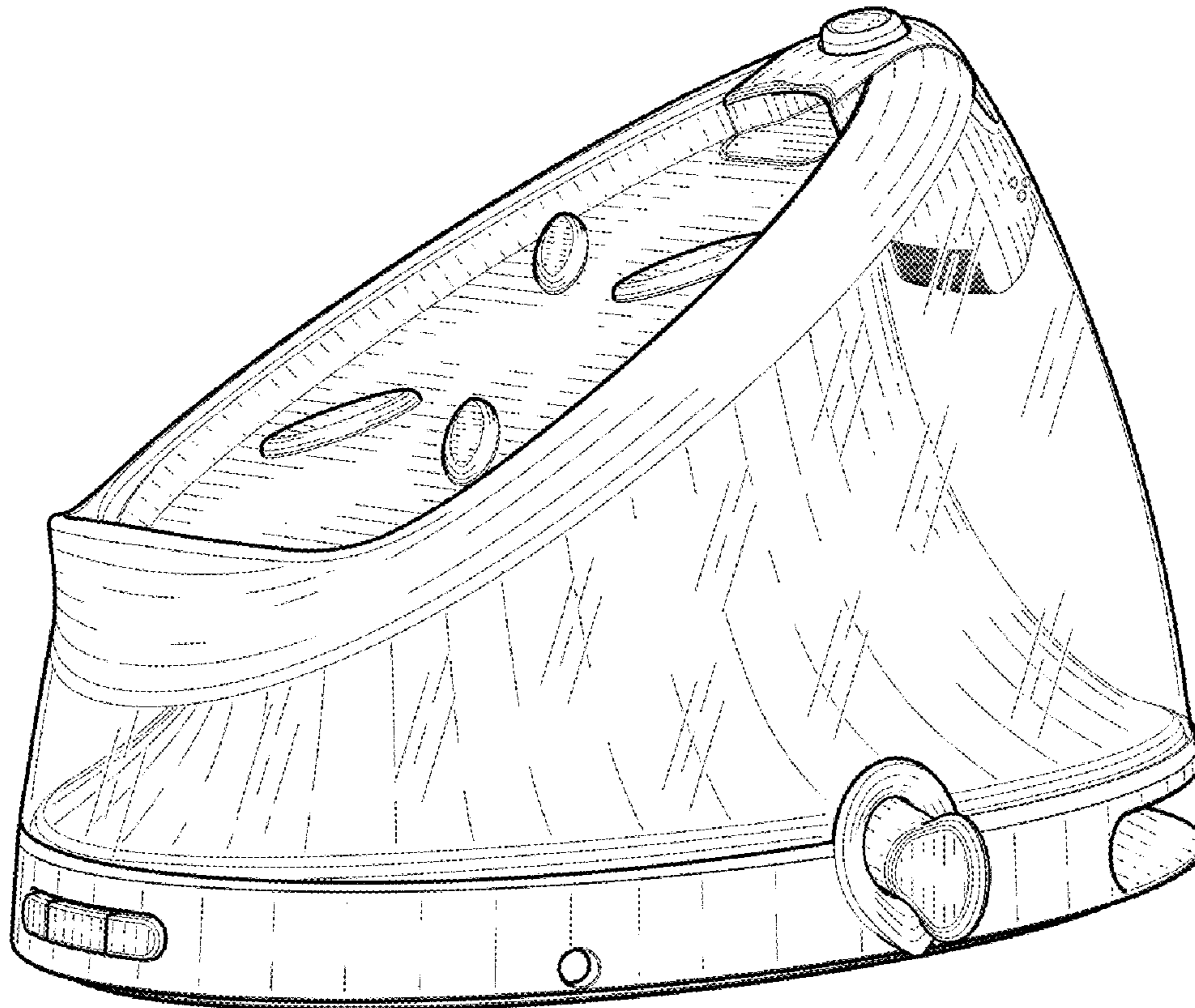
USPC **D32/73; D32/71**

(58) **Field of Classification Search**

USPC D32/71, 73, 72, 70, 69, 68, 35; D8/71,
D8/373, 349, 396, 30; D15/144, 144.2;
D28/73; 219/231, 242, 229; 165/80.1;
126/414

See application file for complete search history.

1 Claim, 5 Drawing Sheets



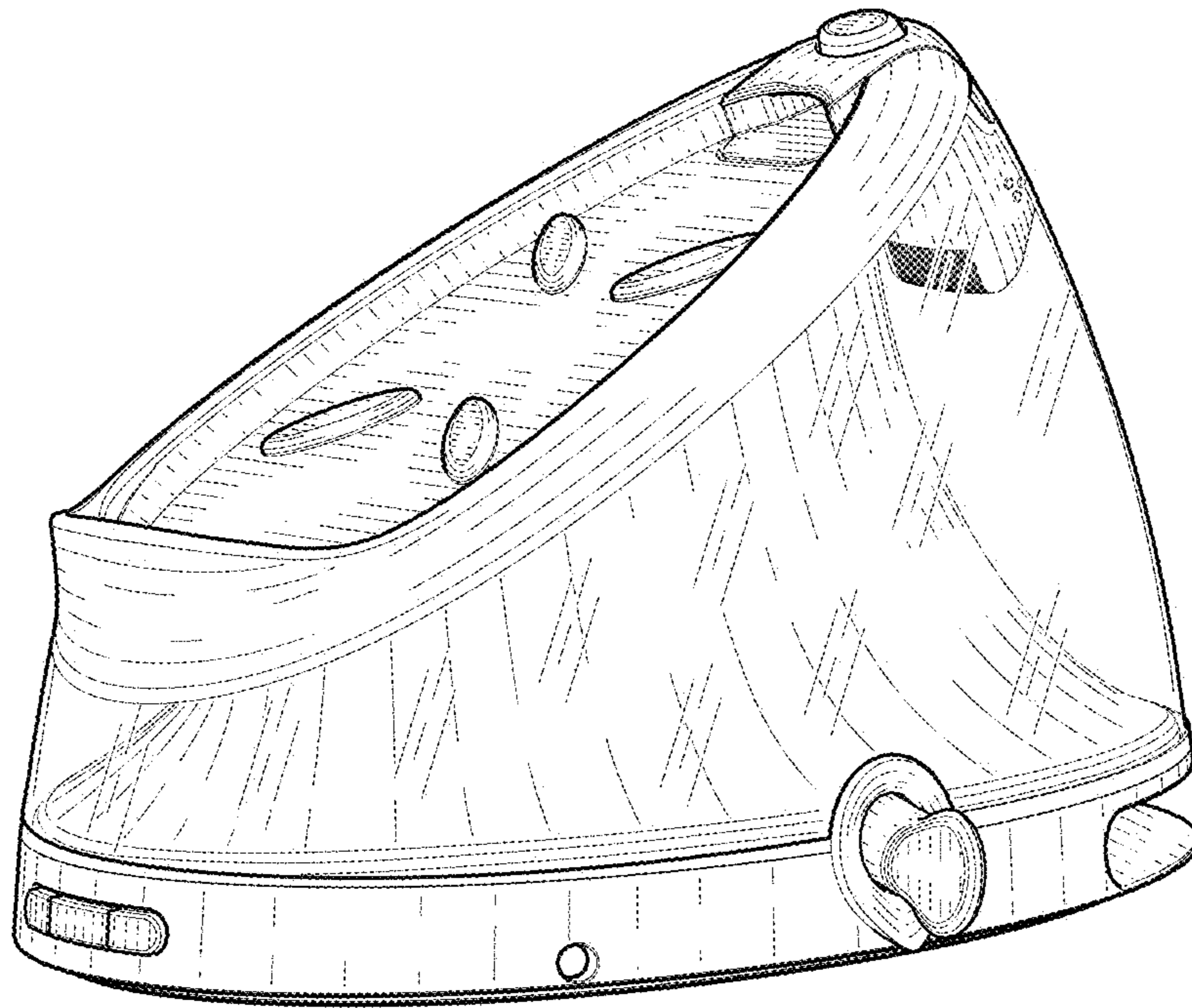


FIG. 1

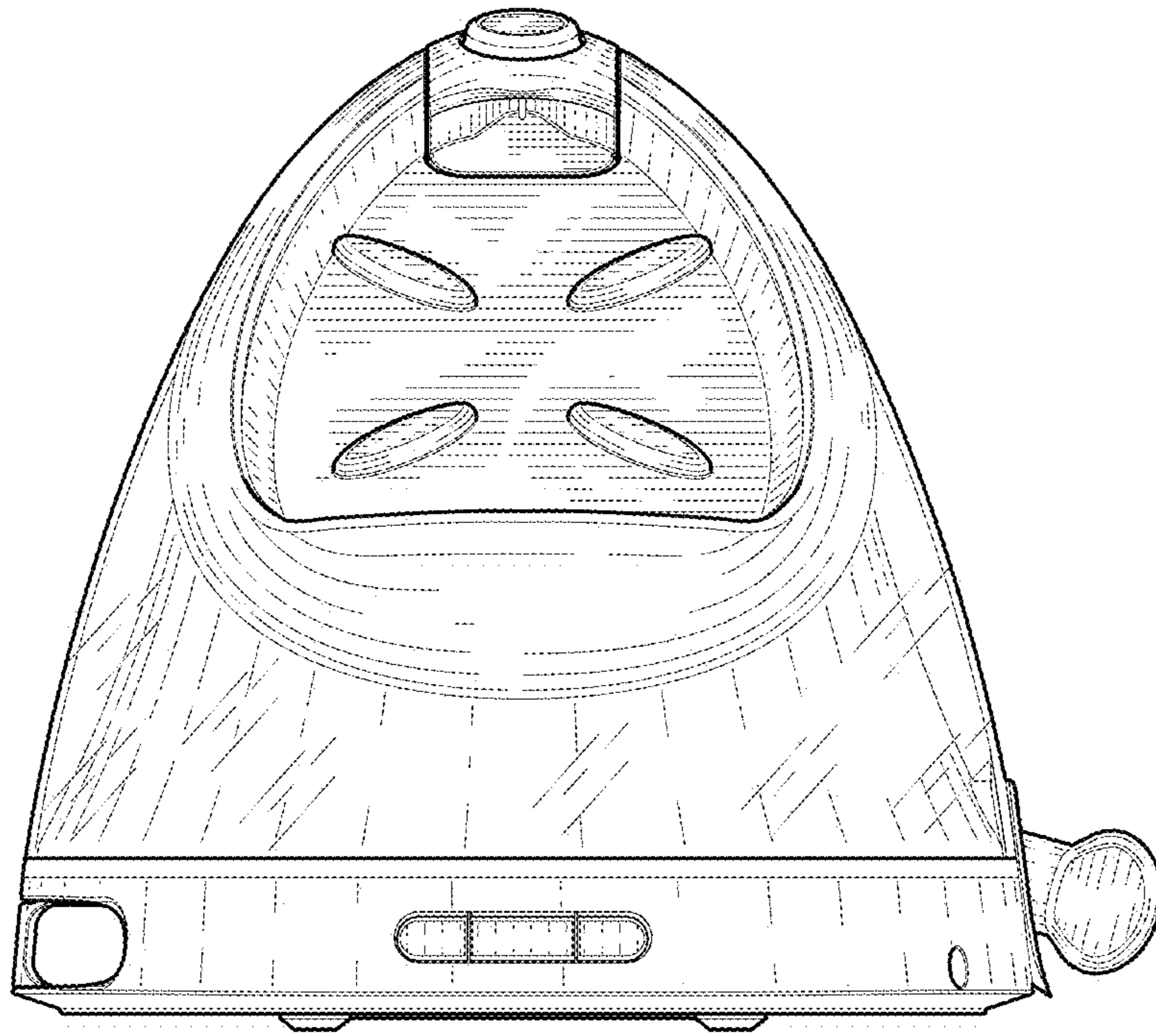


FIG. 2

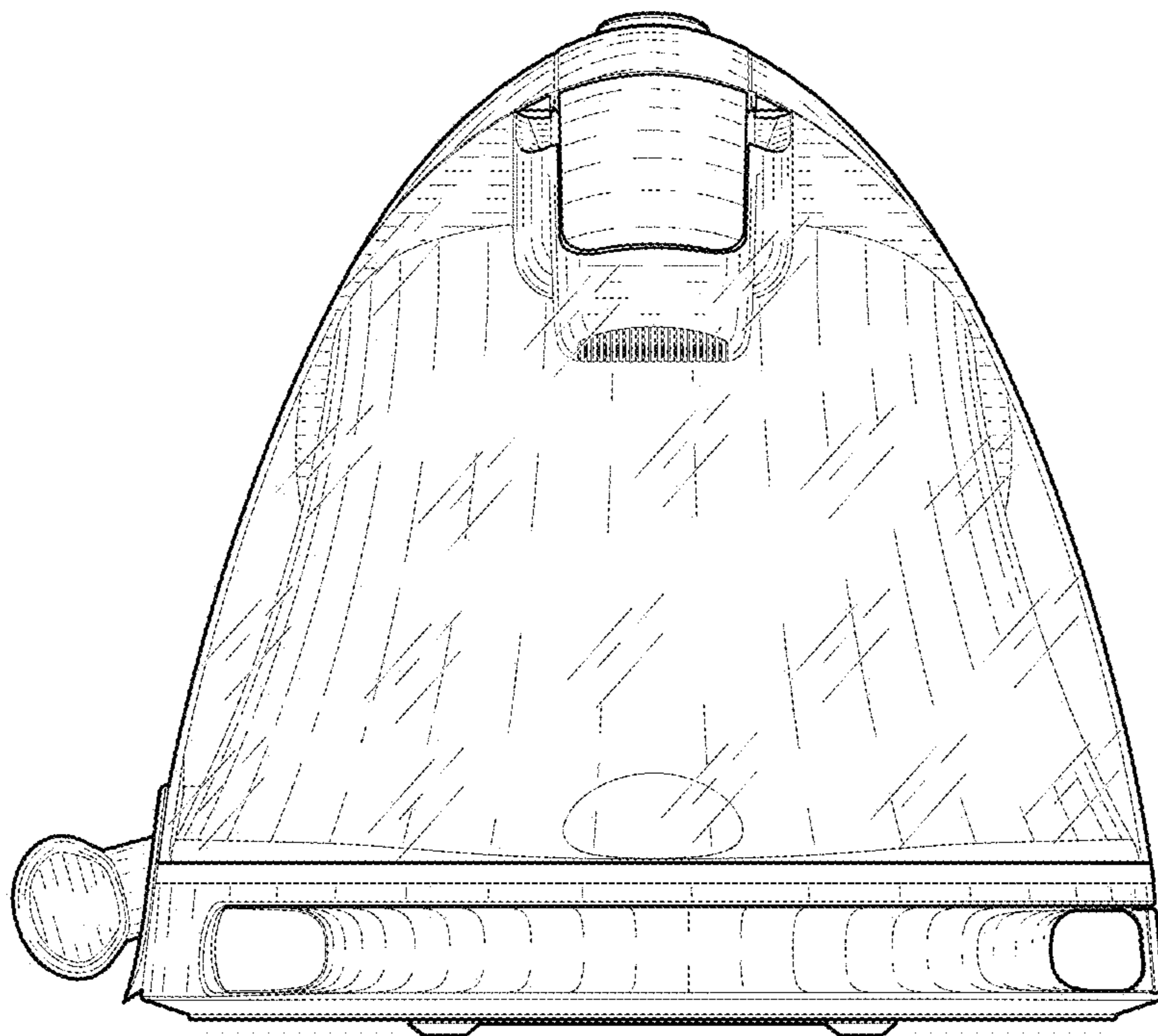


FIG. 3

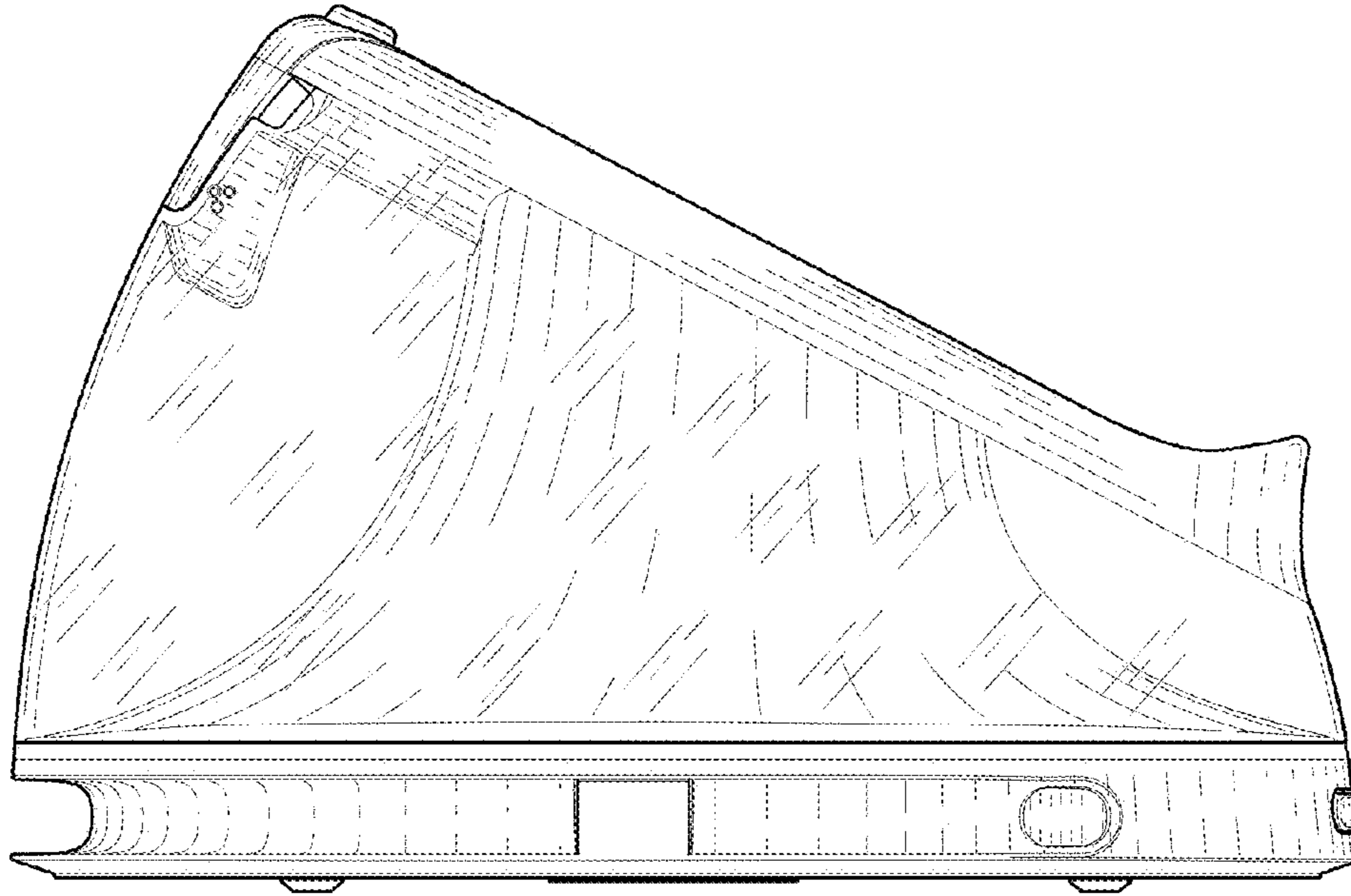


FIG. 4

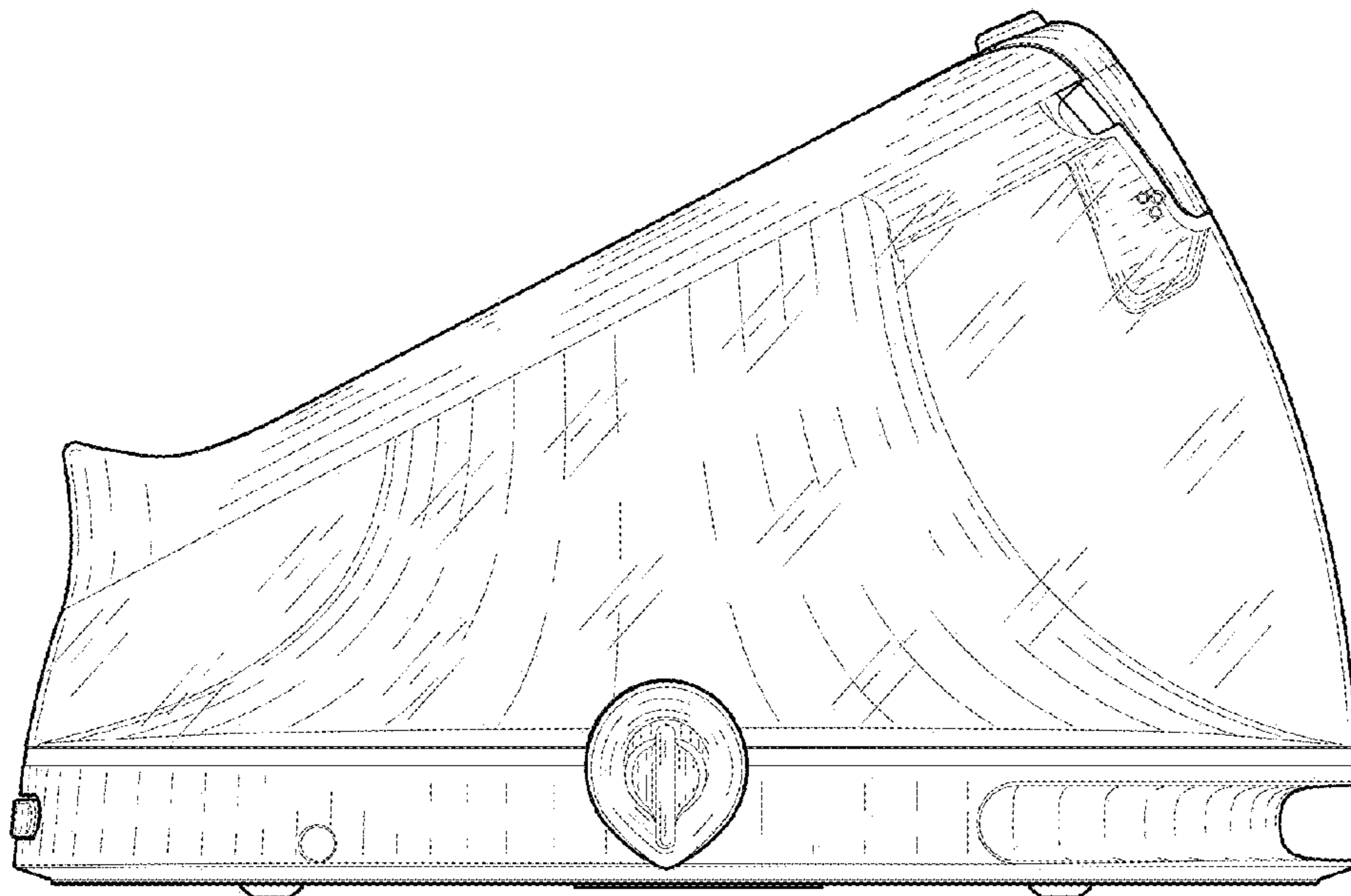


FIG. 5

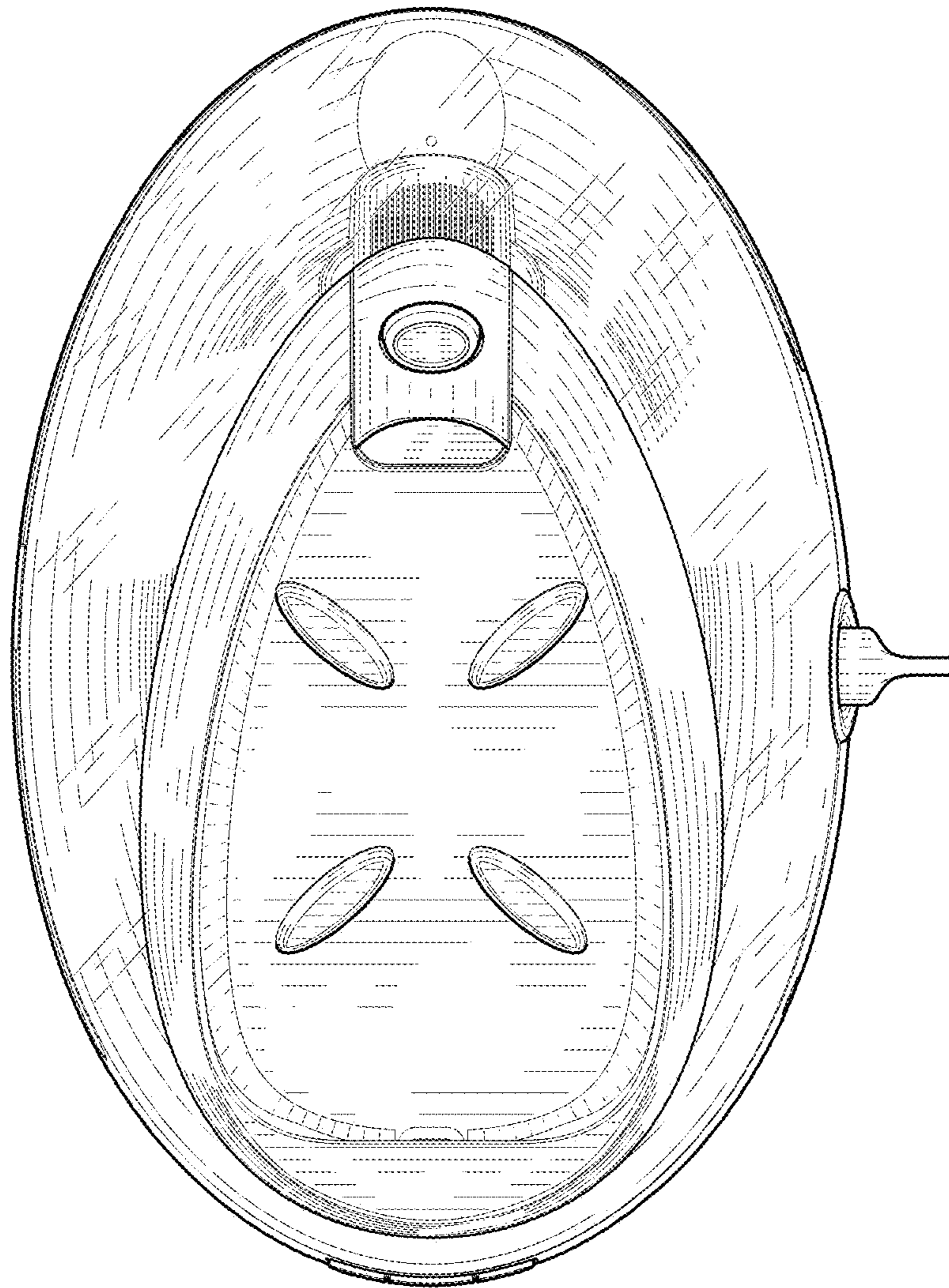


FIG. 6

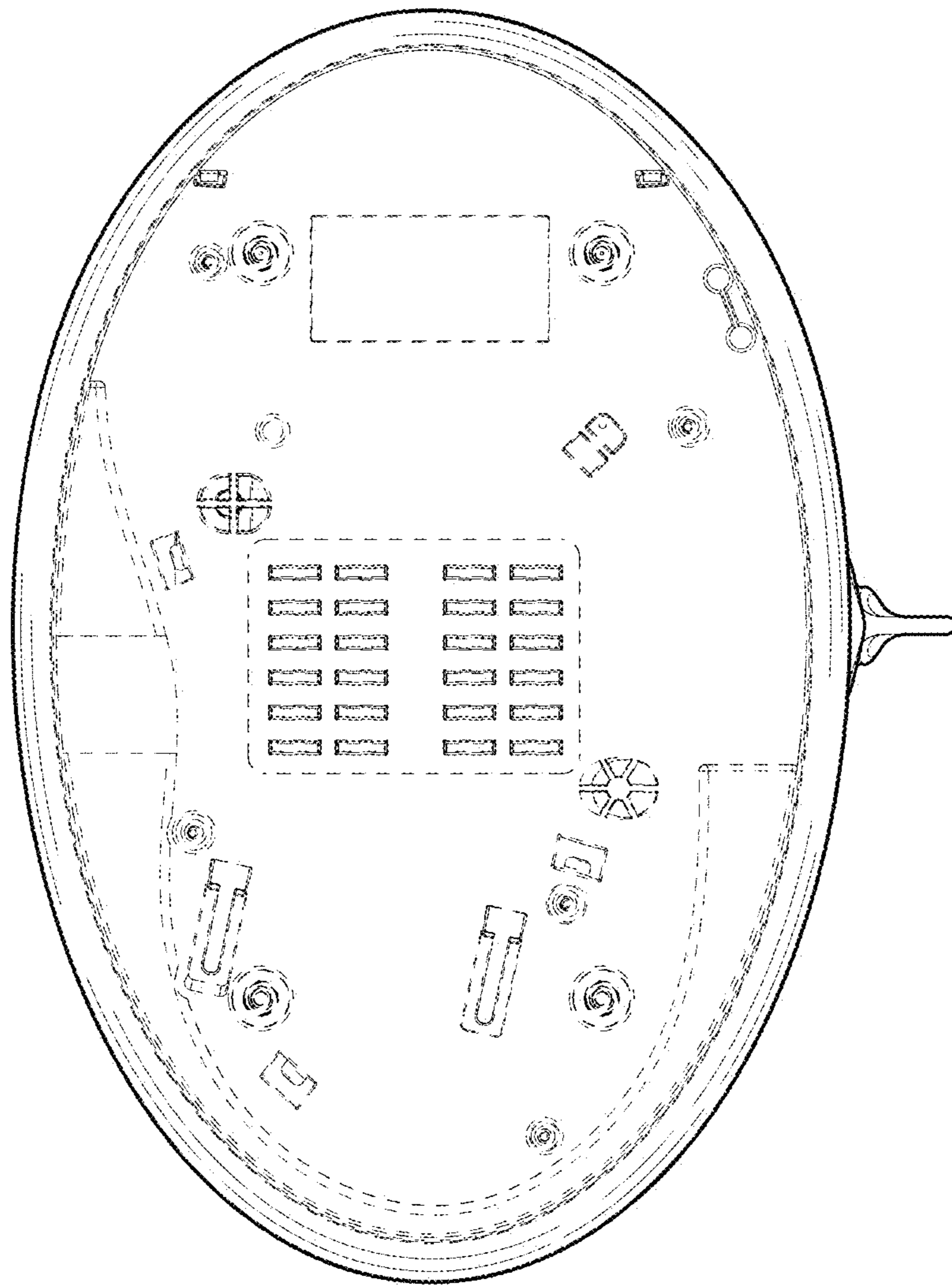


FIG. 7