

US00D693082S

(12) **United States Design Patent**  
**Evans et al.**

(10) **Patent No.:** **US D693,082 S**  
(45) **Date of Patent:** **\*\* Nov. 5, 2013**

(54) **DOUBLE-SIDED DRAINING MAT**  
(71) Applicant: **Joseph Joseph Ltd.**, London (GB)  
(72) Inventors: **David Evans**, Cambridge (GB); **Ashley May**, Cambridge (GB)  
(73) Assignee: **Joseph Joseph Ltd.**, London (GB)  
(\*\*) Term: **14 Years**

D280,249 S \* 8/1985 Martin ..... D32/56  
D288,375 S \* 2/1987 Okami ..... D32/56  
D292,134 S \* 9/1987 McDaniel, Sr. .... D32/56  
D337,186 S \* 7/1993 Drach ..... D32/56  
D344,828 S \* 3/1994 Adams ..... D32/56  
D364,018 S \* 11/1995 Brightbill et al. .... D32/55  
D446,370 S \* 8/2001 Avila Adikimenakis  
et al. .... D32/56  
D518,143 S \* 3/2006 Weidler et al. .... D23/209  
D636,138 S \* 4/2011 Talerico ..... D32/56  
D652,598 S \* 1/2012 Joseph ..... D32/56  
D657,858 S \* 4/2012 Platt ..... D23/365

(21) Appl. No.: **29/448,397**

\* cited by examiner

(22) Filed: **Mar. 12, 2013**

*Primary Examiner* — Austin Murphy

(30) **Foreign Application Priority Data**

(74) *Attorney, Agent, or Firm* — Millen, White, Zelano & Branigan, P.C.

Sep. 13, 2012 (EM) ..... 002102343-0006

(51) **LOC (9) Cl.** ..... **07-05**

(57) **CLAIM**

The ornamental design for a double-sided draining mat, as shown and described.

(52) **U.S. Cl.**  
USPC ..... **D32/56**

**DESCRIPTION**

(58) **Field of Classification Search**  
USPC ..... D32/55, 56; D7/667; D21/525;  
210/241, 801, 162, 183; 211/162, 183,  
211/198, 41.3, 41.4, 41.5, 41.6, 41.8;  
220/487

See application file for complete search history.

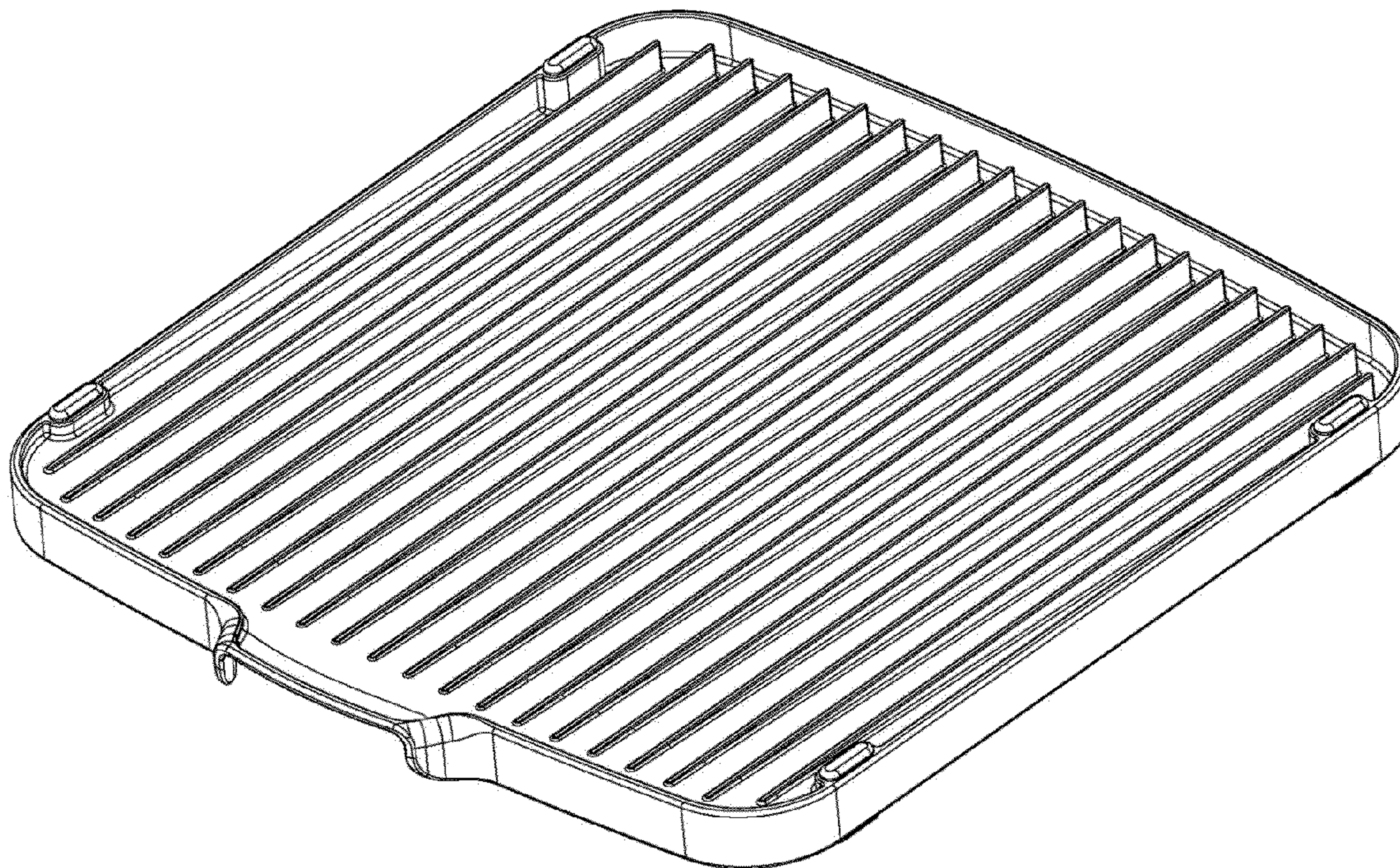
FIG. 1 is a perspective view of the double-sided draining mat showing my new design.  
FIG. 2 is another perspective view thereof.  
FIG. 3 is a top view thereof.  
FIG. 4 is a bottom view thereof.  
FIG. 5 is a side view thereof.  
FIG. 6 is another side view thereof.  
FIG. 7 is another side view thereof; and,  
FIG. 8 is another side view thereof.

(56) **References Cited**

**U.S. PATENT DOCUMENTS**

D143,517 S \* 1/1946 Whitlock ..... D32/56  
D196,169 S \* 9/1963 Steinberg ..... D32/56

**1 Claim, 8 Drawing Sheets**





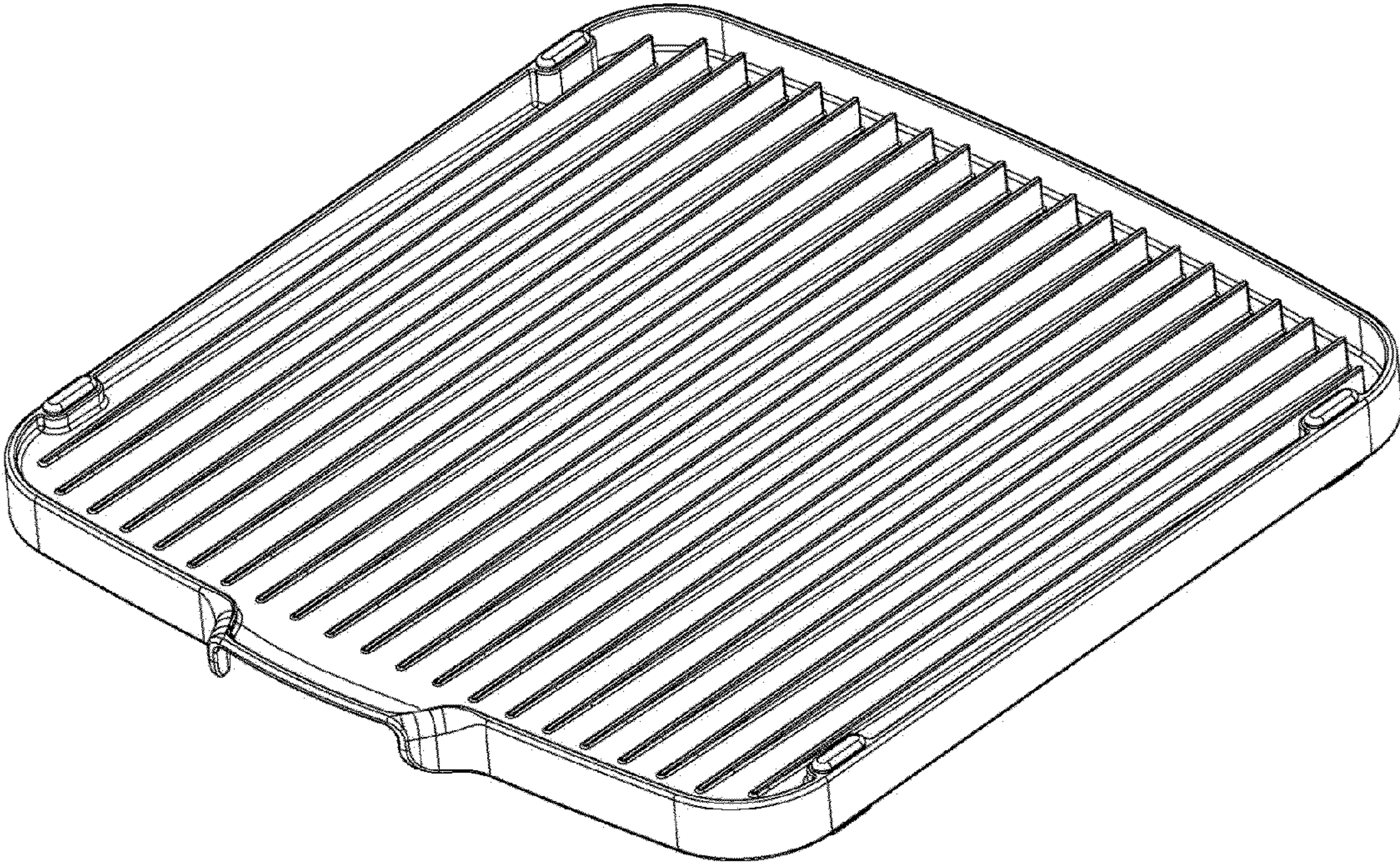


Fig. 1



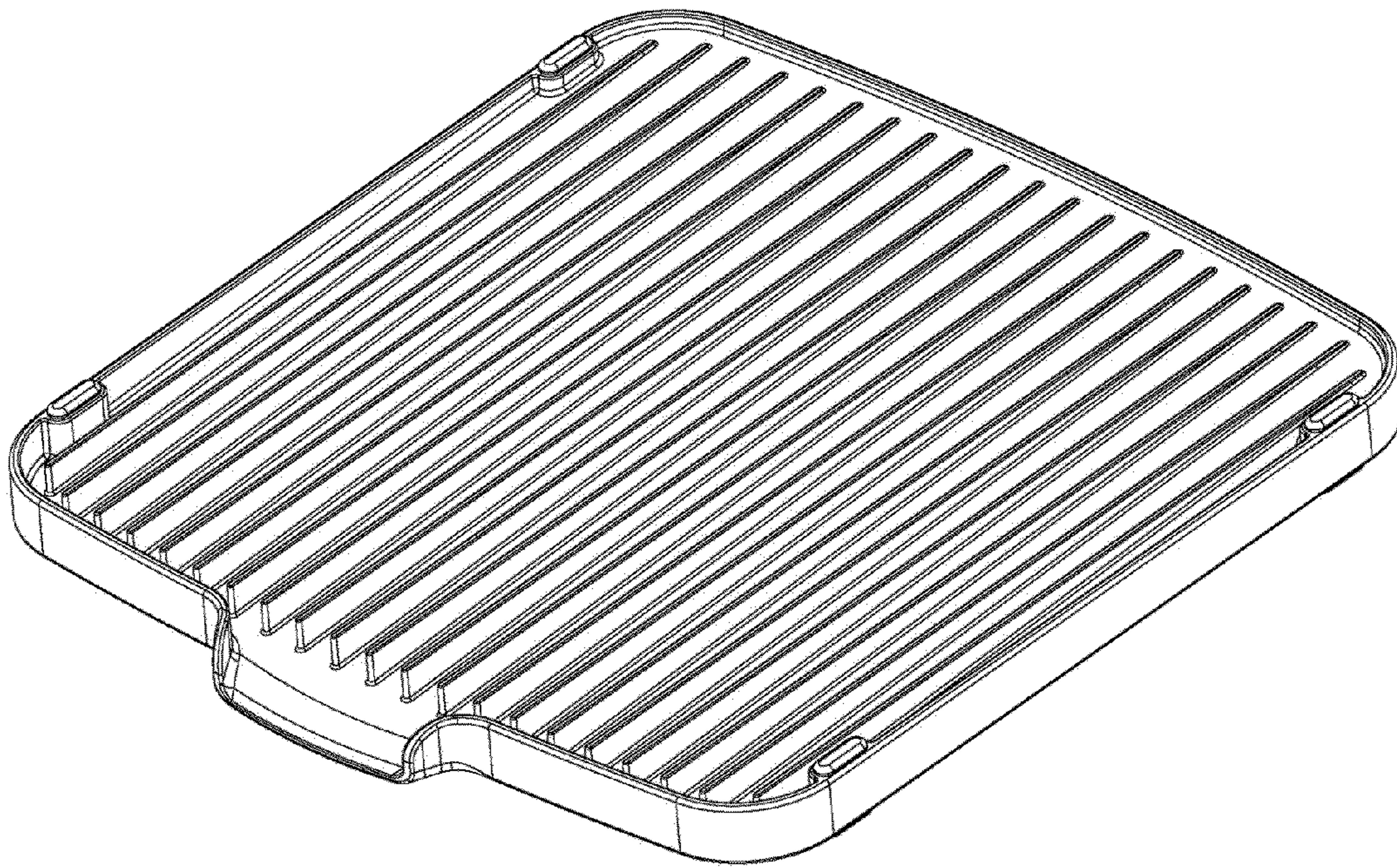


Fig. 2



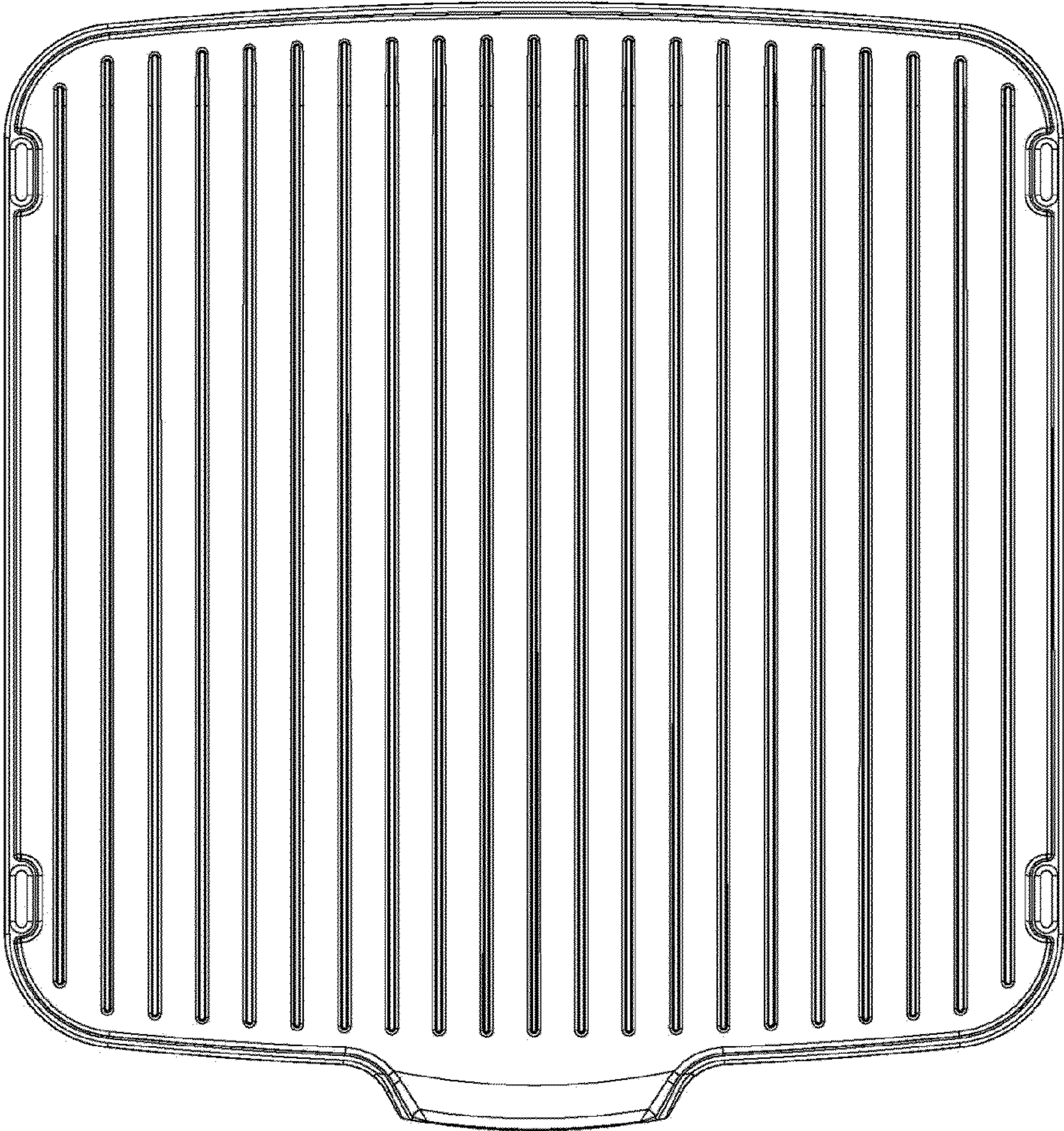


Fig. 3



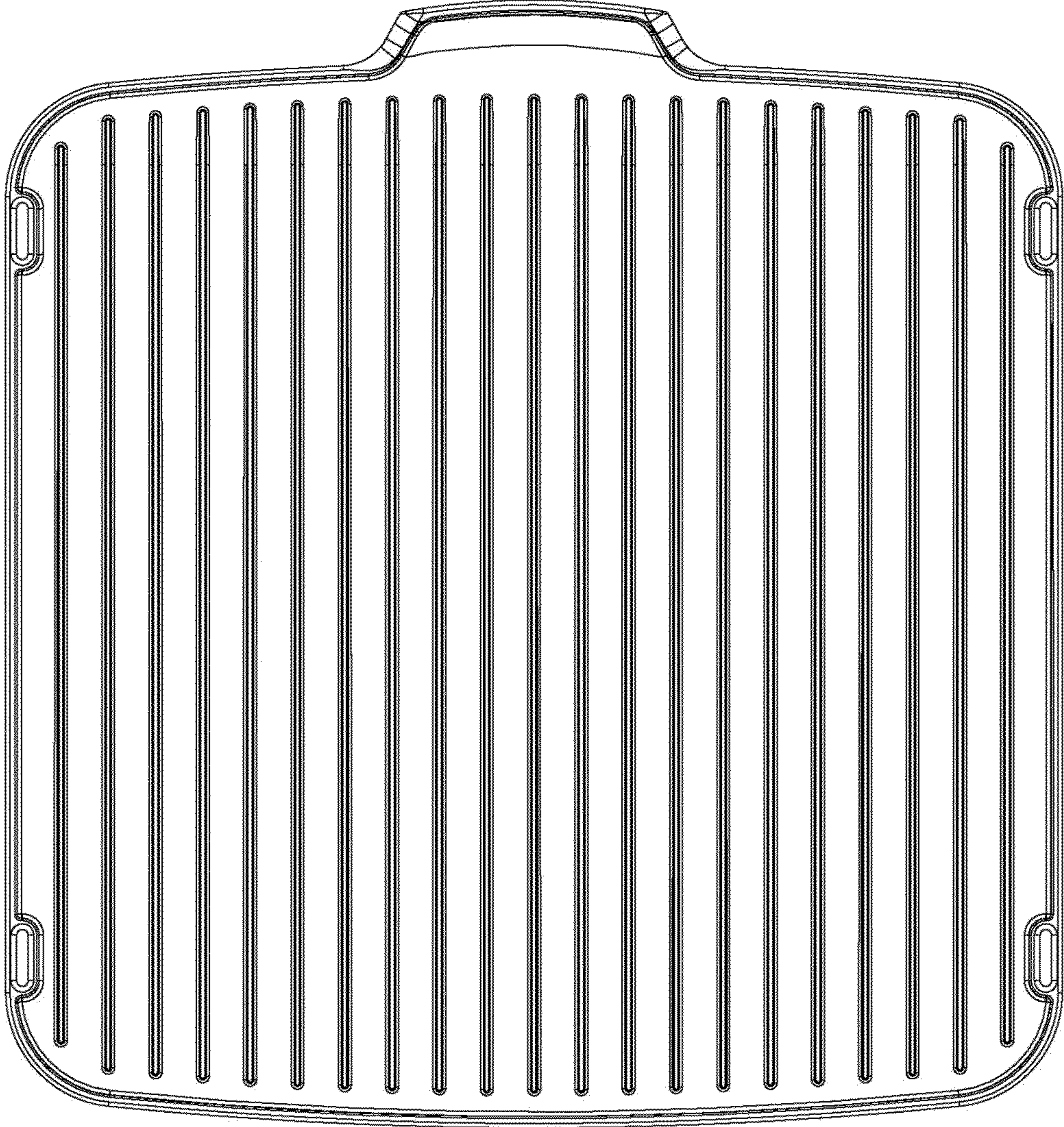


Fig. 4

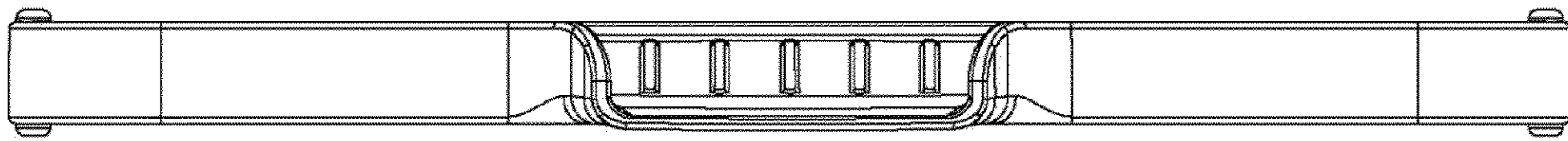


Fig. 5



Fig. 6

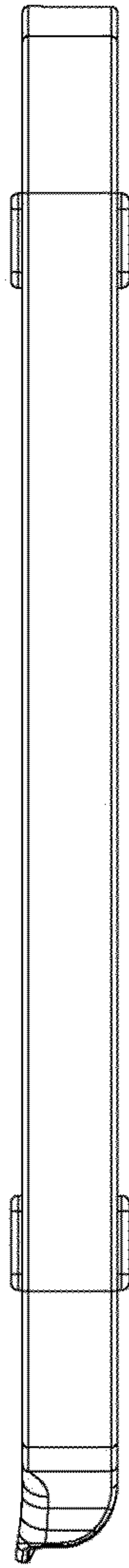


Fig. 7



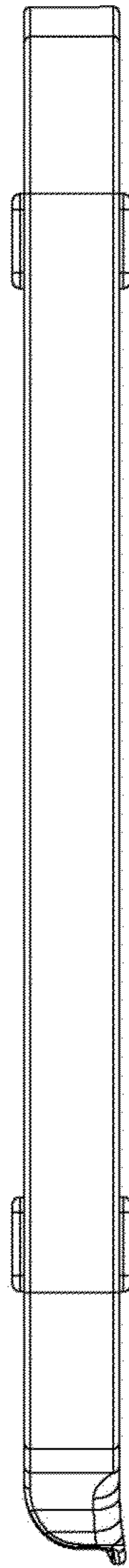


Fig. 8