



US00D693080S

(12) **United States Design Patent**
Shao

(10) **Patent No.:** **US D693,080 S**

(45) **Date of Patent:** **** Nov. 5, 2013**

(54) **SPIN MOP BUCKET**

(71) Applicant: **Guofa Shao, Jiaxing (CN)**

(72) Inventor: **Guofa Shao, Jiaxing (CN)**

(**) Term: **14 Years**

(21) Appl. No.: **29/440,654**

(22) Filed: **Dec. 24, 2012**

(51) **LOC (9) Cl.** **07-07**

(52) **U.S. Cl.**
USPC **D32/53**

(58) **Field of Classification Search**
USPC D32/53, 53.1, 54; 15/260-264, 257.06,
15/119.1, 120.1; 220/570, 518, 904
See application file for complete search history.

(56) **References Cited**

U.S. PATENT DOCUMENTS

D417,935 S *	12/1999	Primeau	D32/53
D499,223 S *	11/2004	Libman et al.	D32/53
D518,262 S *	3/2006	Jurgens	D32/53
D557,472 S *	12/2007	Renner	D32/53
7,318,247 B2 *	1/2008	Libman et al.	15/260

D617,067 S *	6/2010	Renner	D32/53
D620,661 S *	7/2010	Tsai	D32/53
D632,446 S *	2/2011	Tseng	D32/53
D645,628 S *	9/2011	Tseng	D32/53
8,291,544 B2 *	10/2012	Chen et al.	15/260
8,327,502 B2 *	12/2012	Tsai	15/260

* cited by examiner

Primary Examiner — Robin V Webster

(74) *Attorney, Agent, or Firm* — Clement Chang

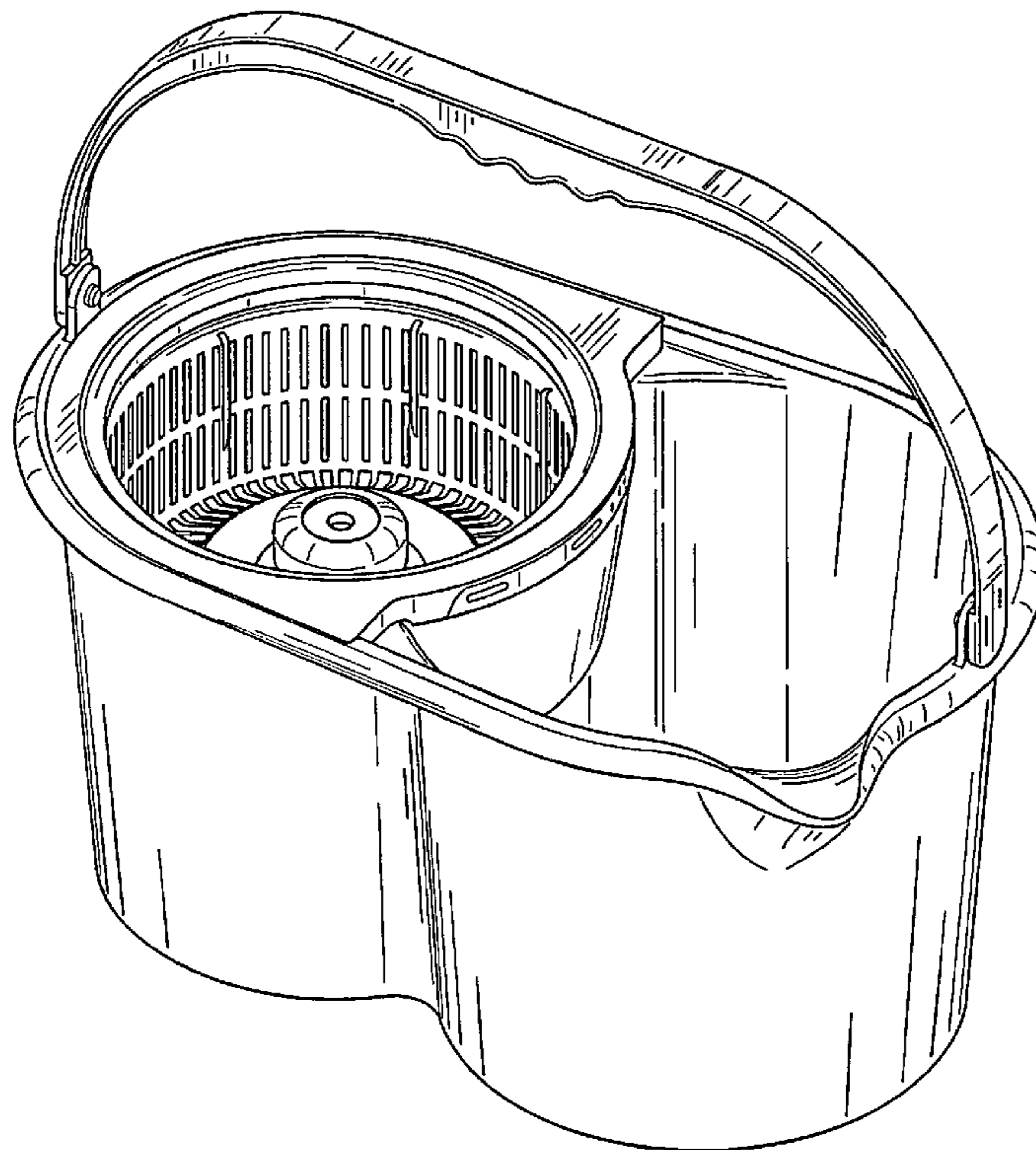
(57) **CLAIM**

The ornamental design for a spin mop bucket, as shown and described.

DESCRIPTION

- FIG. 1 is a perspective view.
- FIG. 2 is a front side view.
- FIG. 3 is a back side view.
- FIG. 4 is a right side view.
- FIG. 5 is a left side view.
- FIG. 6 is a top view; and,
- FIG. 7 is a bottom view.

1 Claim, 5 Drawing Sheets



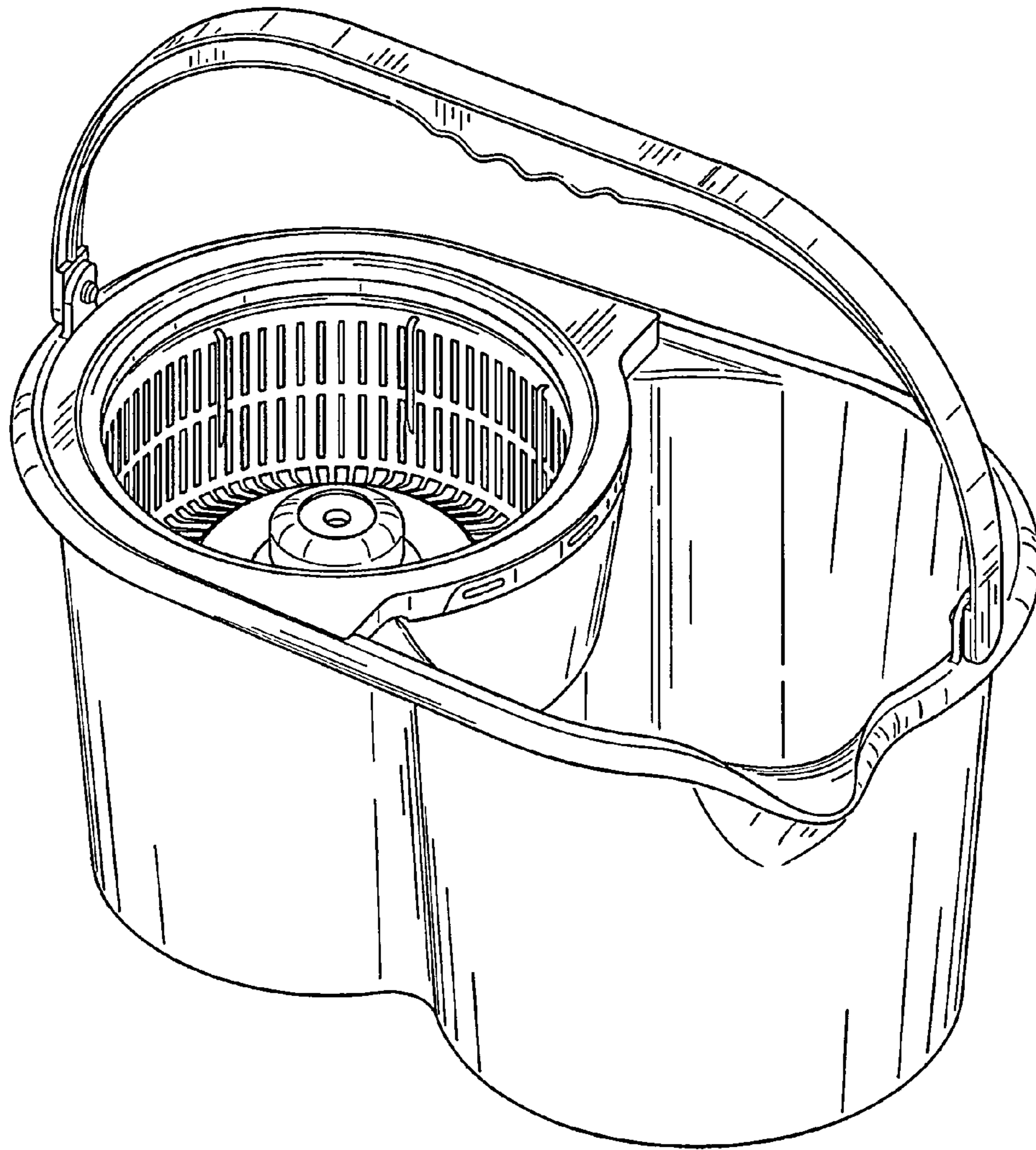


FIG. 1

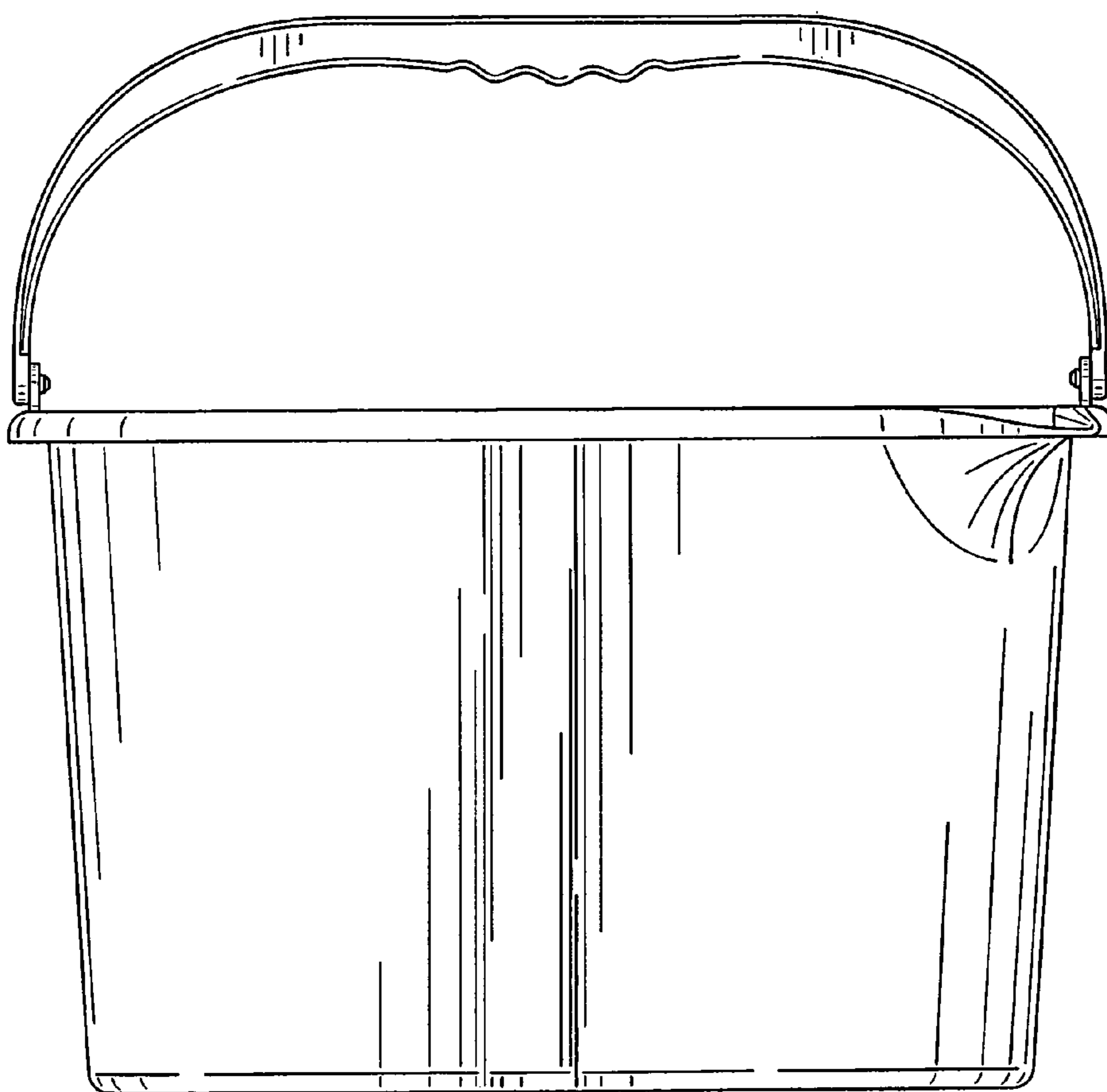


FIG. 2

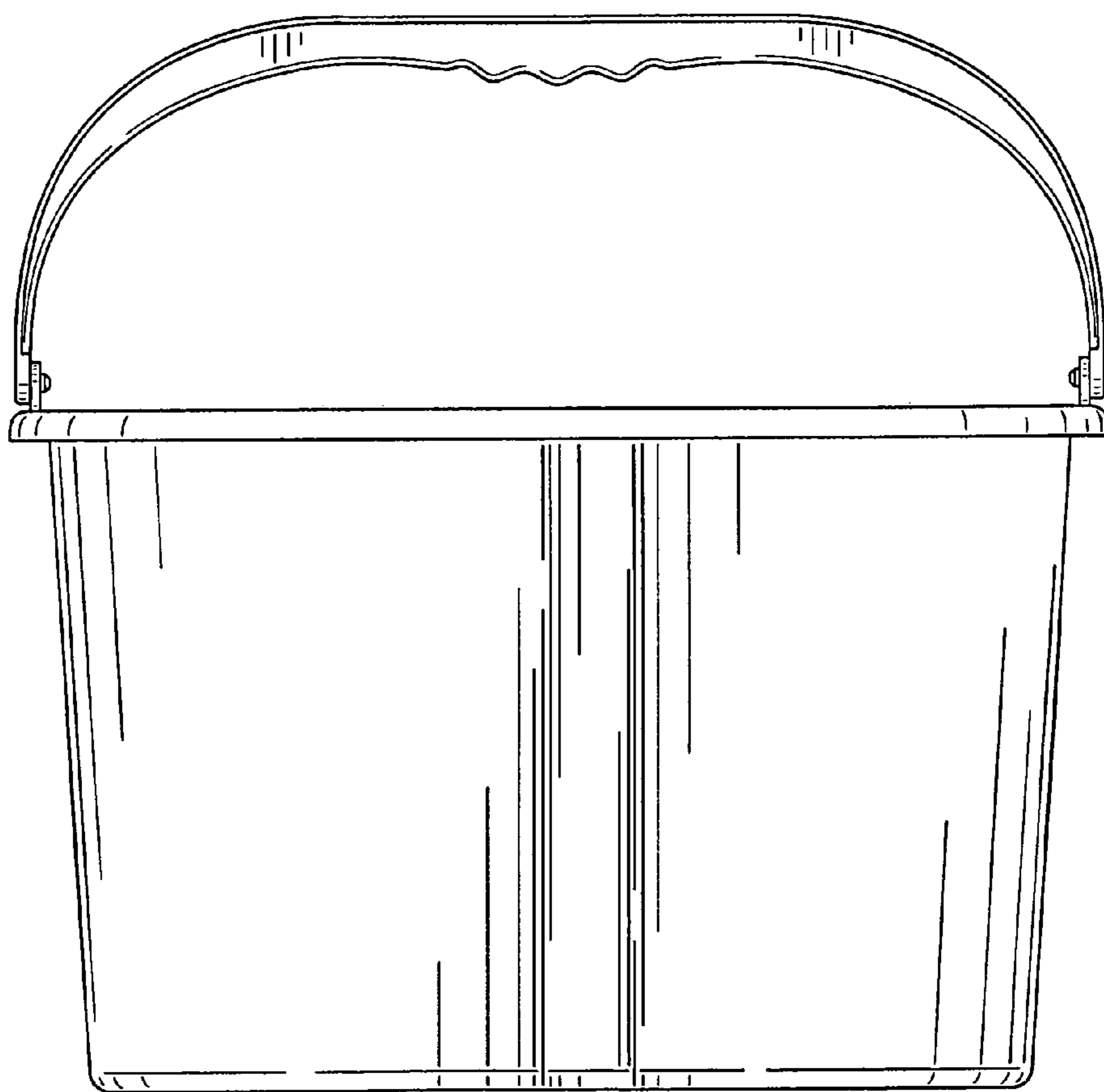


FIG. 3

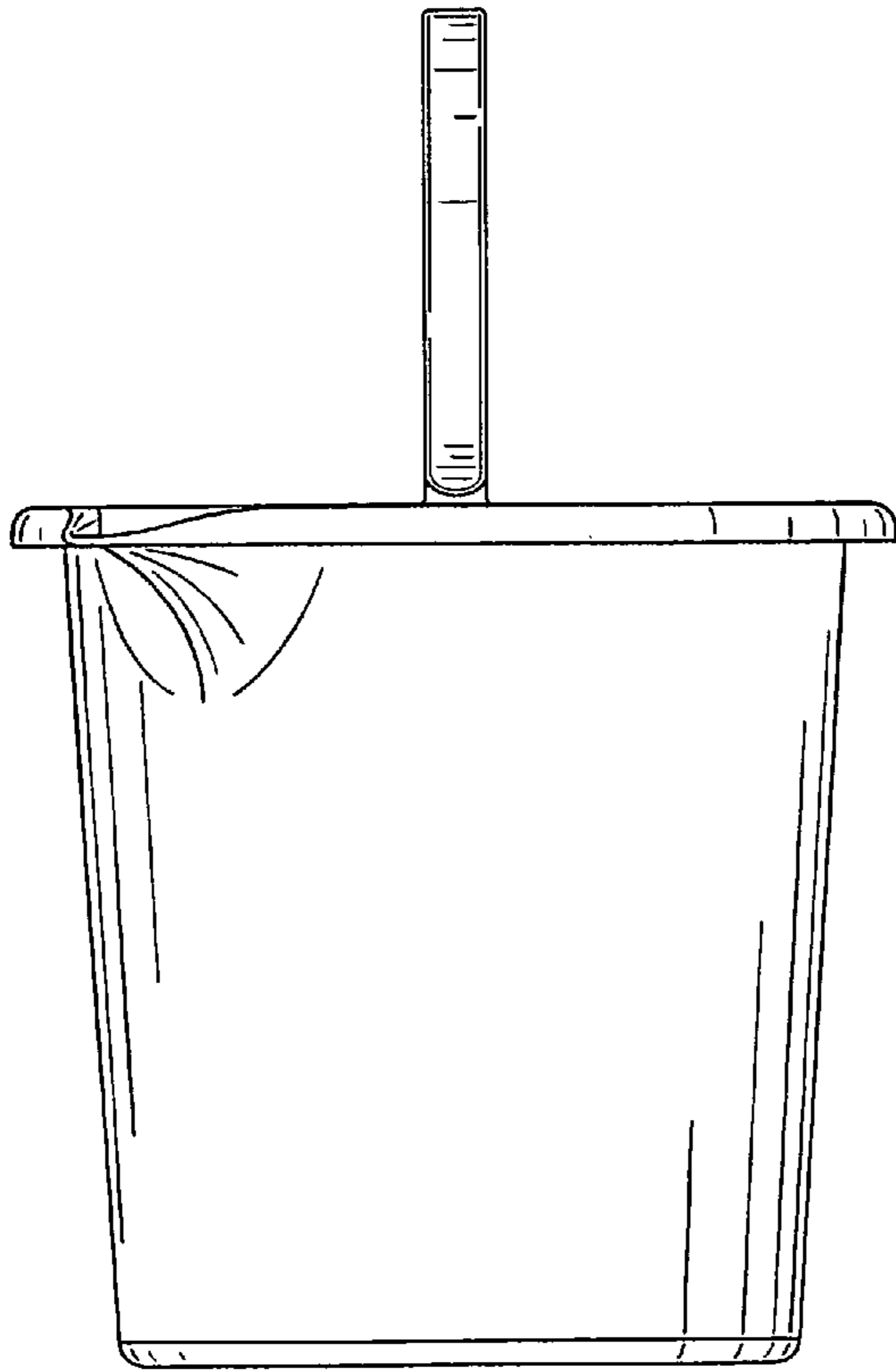


FIG. 4

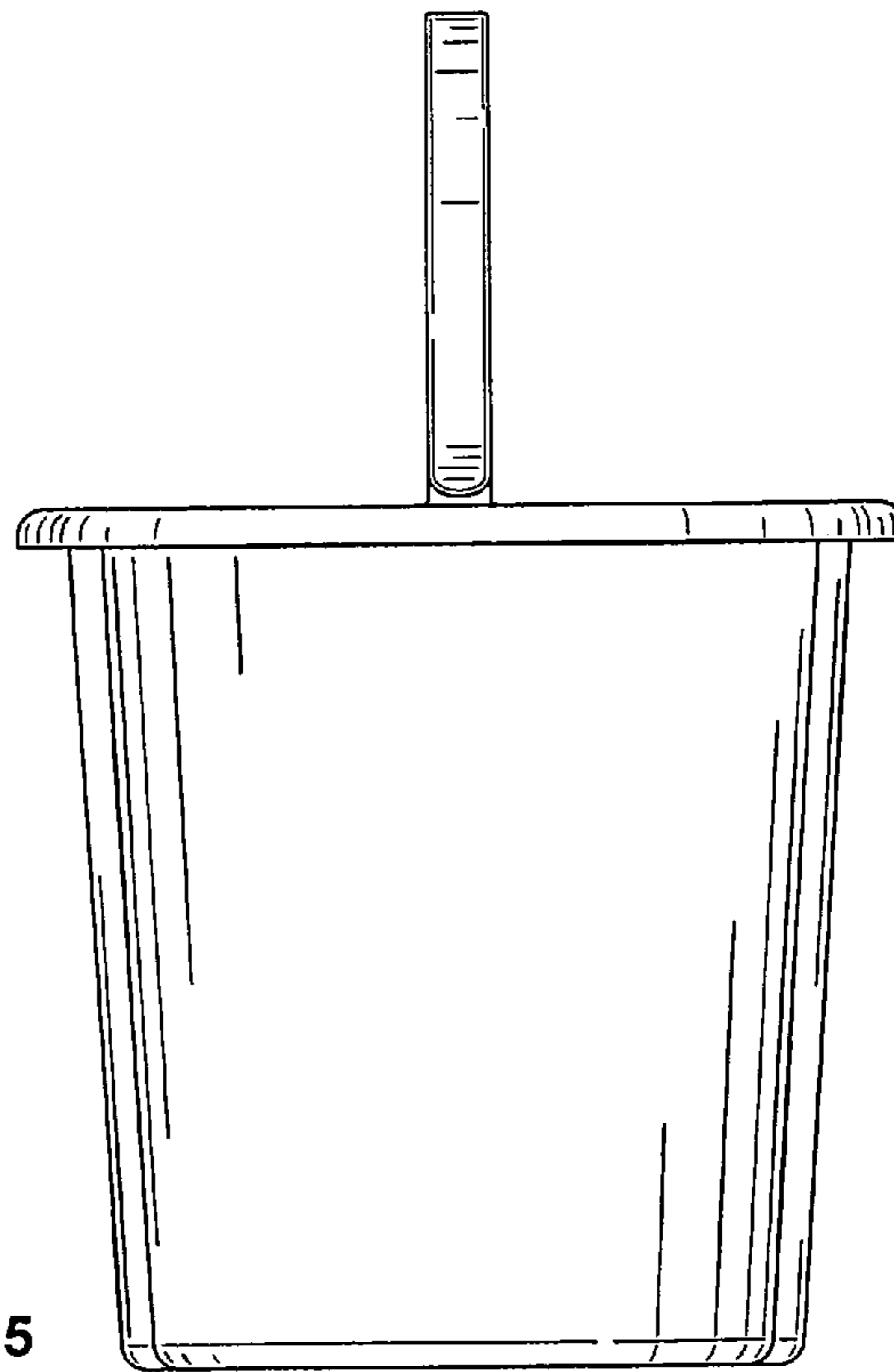


FIG. 5

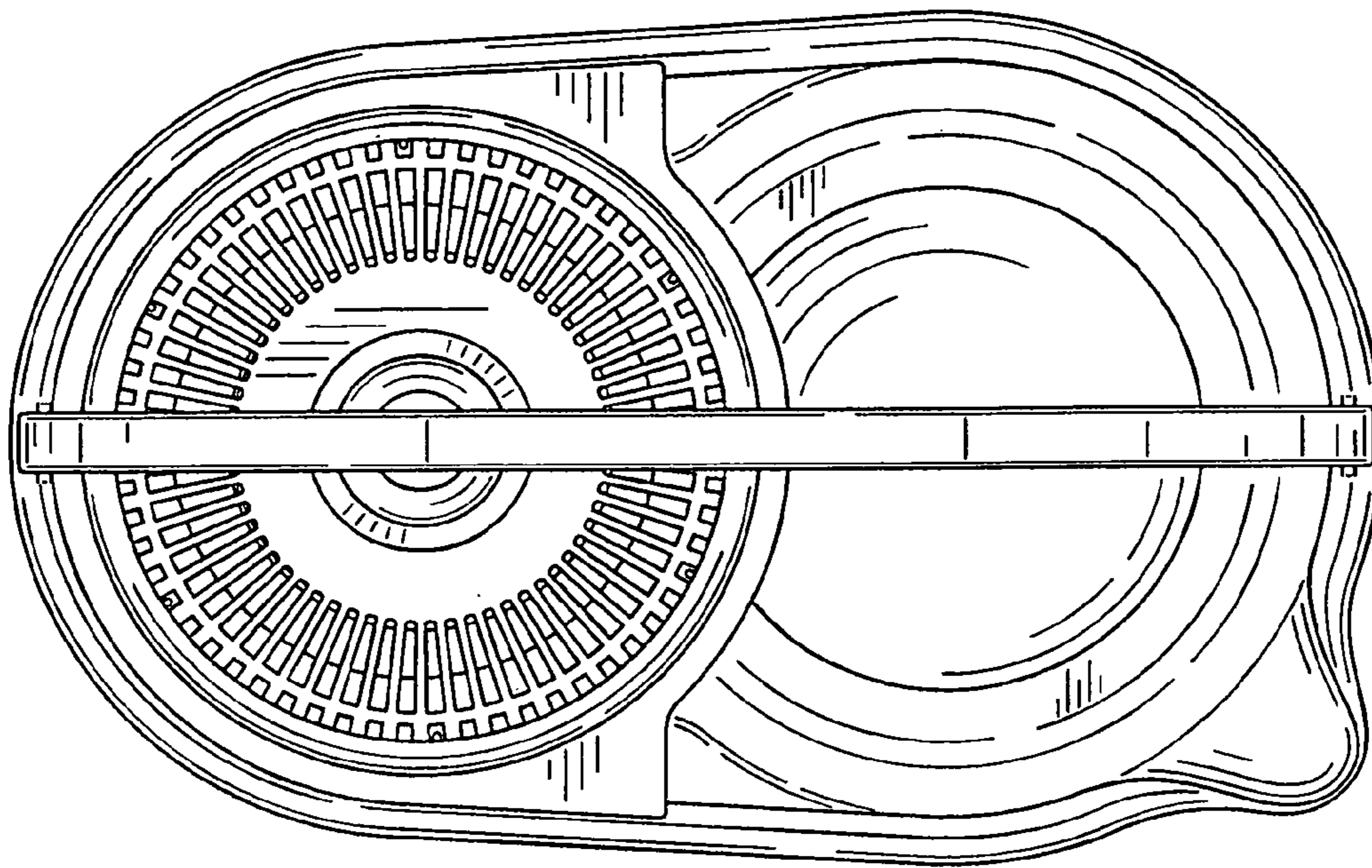


FIG. 6

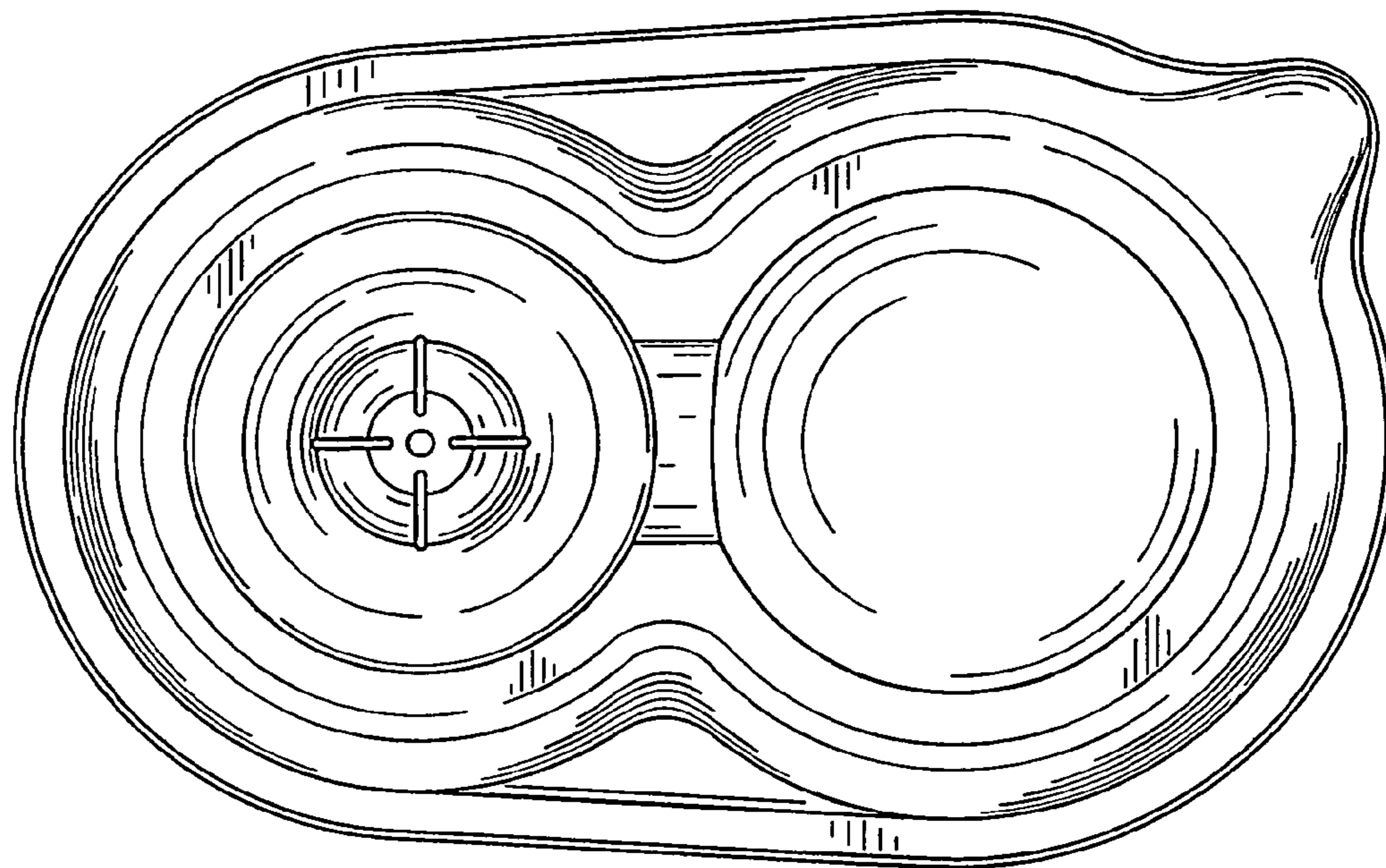


FIG. 7