

US00D693079S

(12) **United States Design Patent**  
**Nordvik**

(10) **Patent No.:** **US D693,079 S**  
(45) **Date of Patent:** **\*\* Nov. 5, 2013**

- (54) **PUSH BROOM HEAD**
- (71) Applicant: **Nathan James Nordvik**, Wayzata, MN (US)
- (72) Inventor: **Nathan James Nordvik**, Wayzata, MN (US)
- (73) Assignee: **North American Manufacturing Corporation**, Minnetonka, MN (US)
- (\*\*) Term: **14 Years**
- (21) Appl. No.: **29/457,806**
- (22) Filed: **Jun. 13, 2013**
- (51) **LOC (9) Cl.** ..... **04-01**
- (52) **U.S. Cl.**  
USPC ..... **D32/50; D4/130**
- (58) **Field of Classification Search**  
USPC ..... **D32/50; 15/159.1, 160, 161, 110, 112, 15/237; D4/119, 120, 130; D6/583, 592, D6/594**  
See application file for complete search history.

5,165,134 A	11/1992	Moore	
D343,298 S	1/1994	Joyner	
D375,632 S *	11/1996	Uranga et al.	D4/132
D386,907 S *	12/1997	Rittenbaum	D4/199
D392,103 S *	3/1998	Zaccheria	D4/132
5,771,519 A *	6/1998	Hrunek	15/104.001
5,772,354 A	6/1998	Finn	
5,774,922 A	7/1998	Bumb	
D415,616 S	10/1999	Camp	
6,134,739 A	10/2000	Gonzalez	
6,408,477 B1 *	6/2002	Culbreth	15/167.1
D531,813 S *	11/2006	Hill et al.	D4/121
D561,576 S	2/2008	Vosbikian	

\* cited by examiner

*Primary Examiner* — John Windmuller  
(74) *Attorney, Agent, or Firm* — Steven N. Fox, Esq

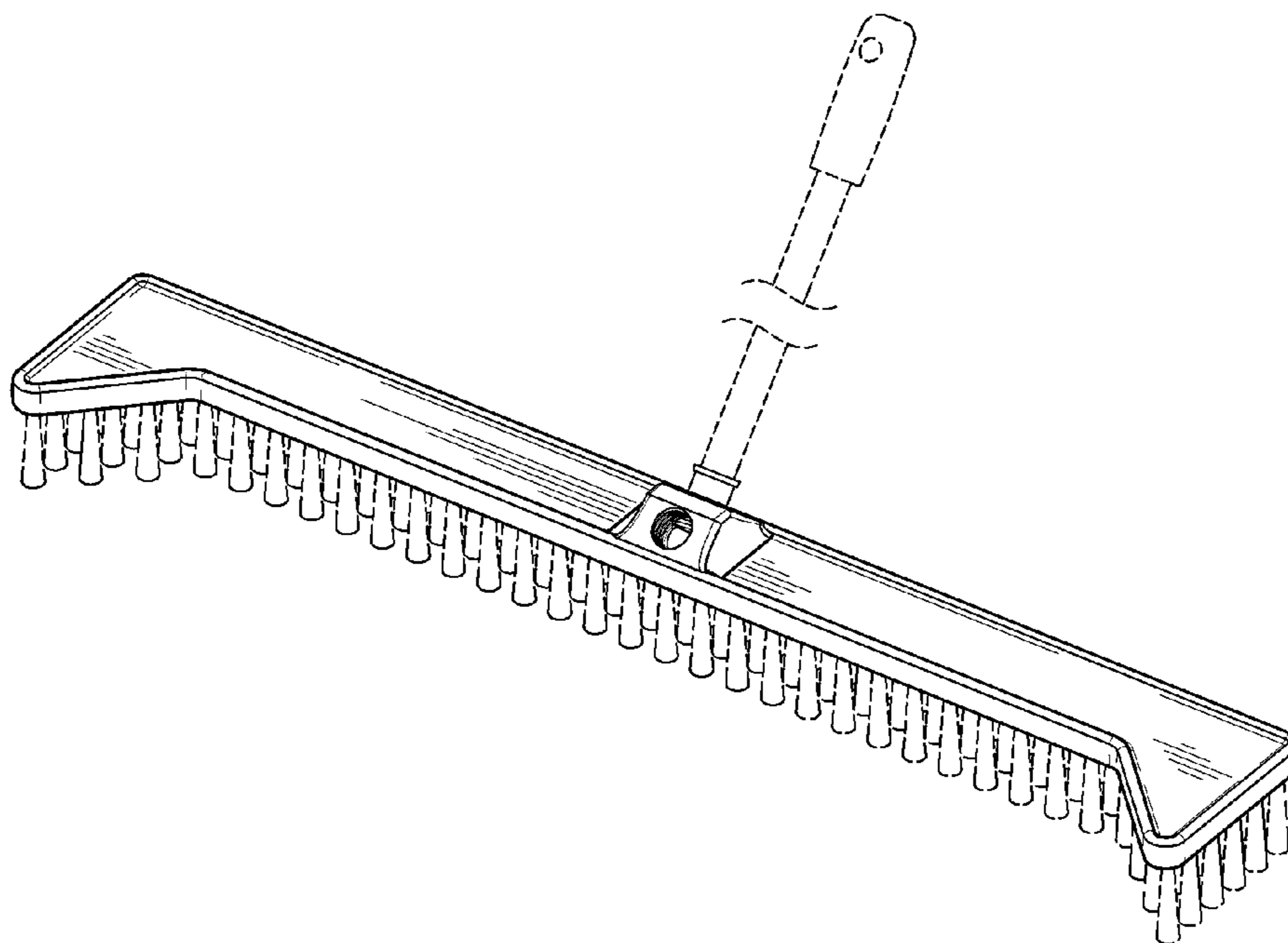
(57) **CLAIM**  
The ornamental design for a push broom head, as shown and described.

**DESCRIPTION**

FIG. 1 is a front perspective view of a push broom head according to the present invention;  
FIG. 2 is a front view thereof;  
FIG. 3 is a rear view thereof;  
FIG. 4 is a top view thereof;  
FIG. 5 is a bottom view thereof;  
FIG. 6 is a left side view thereof; the right side view being a mirror image thereof; and,  
FIG. 7 is a rear perspective view thereof.  
The broken lines in the drawings illustrate environmental structure and form no part of the claimed design.

**1 Claim, 4 Drawing Sheets**

- (56) **References Cited**  
U.S. PATENT DOCUMENTS  
417,477 A \* 12/1889 Dundon ..... 15/54  
1,319,493 A \* 10/1919 Severance ..... 15/160  
1,784,567 A \* 12/1930 Aultman ..... 15/160  
D143,537 S \* 1/1946 Le Febvre ..... D4/132  
3,134,129 A 5/1964 Allen  
4,783,868 A \* 11/1988 O'Callaghan ..... 15/1.7  
D321,793 S 11/1991 Bryant



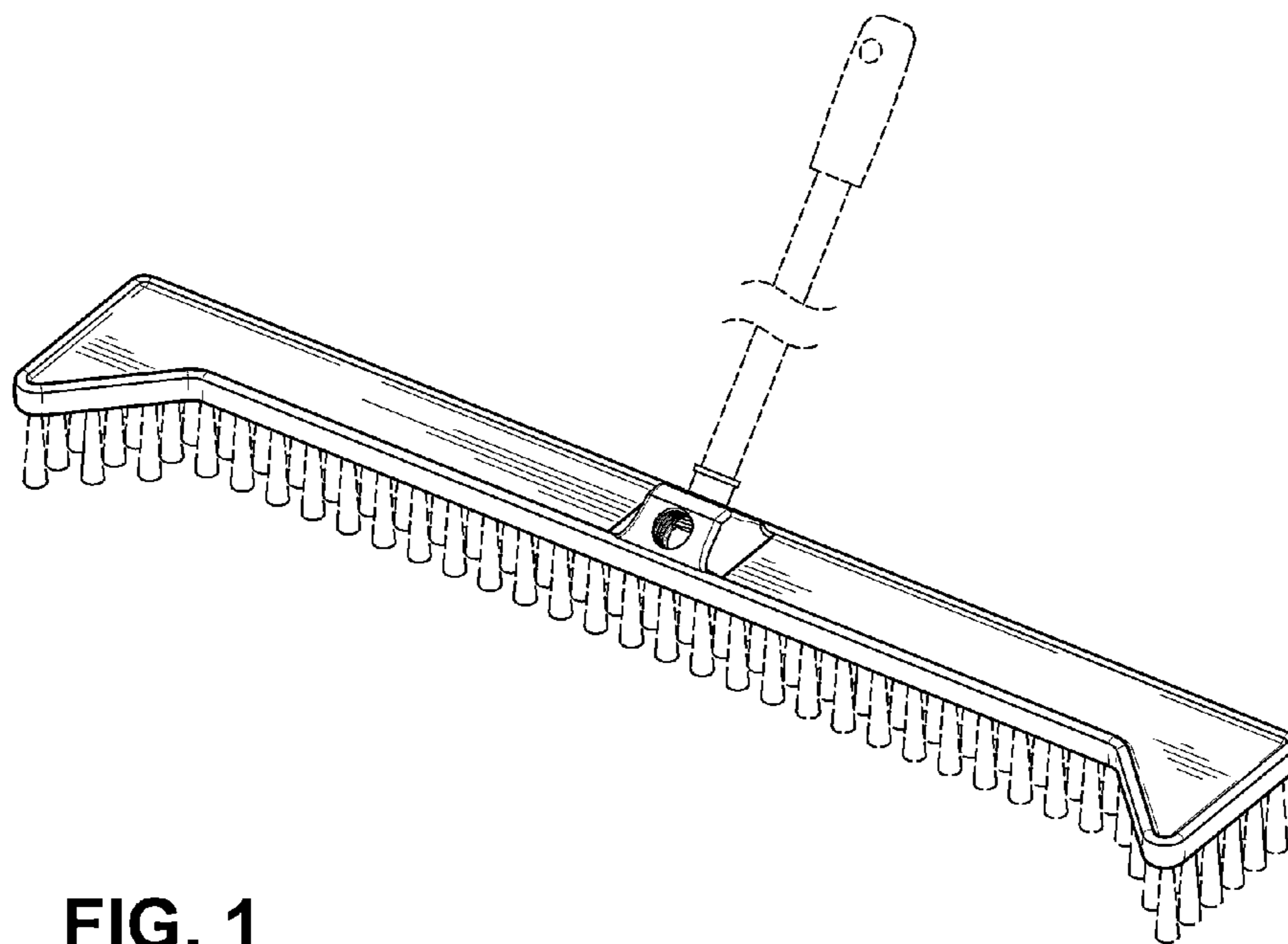


FIG. 1

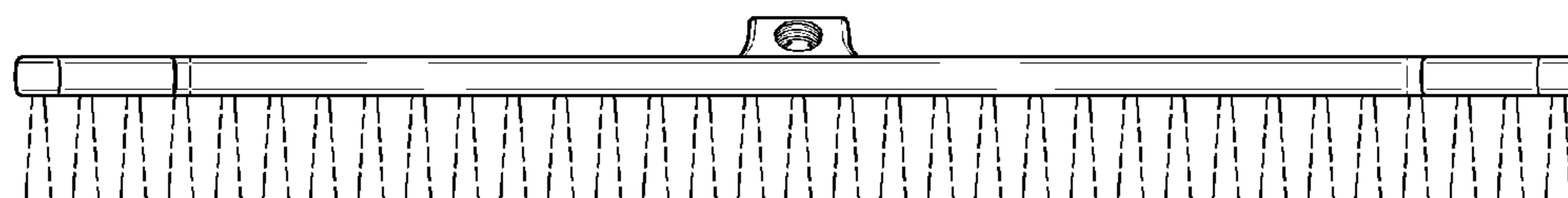


FIG. 2

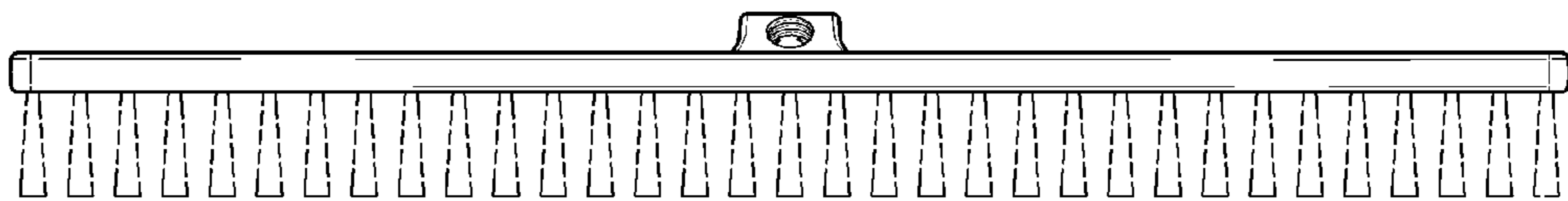


FIG. 3

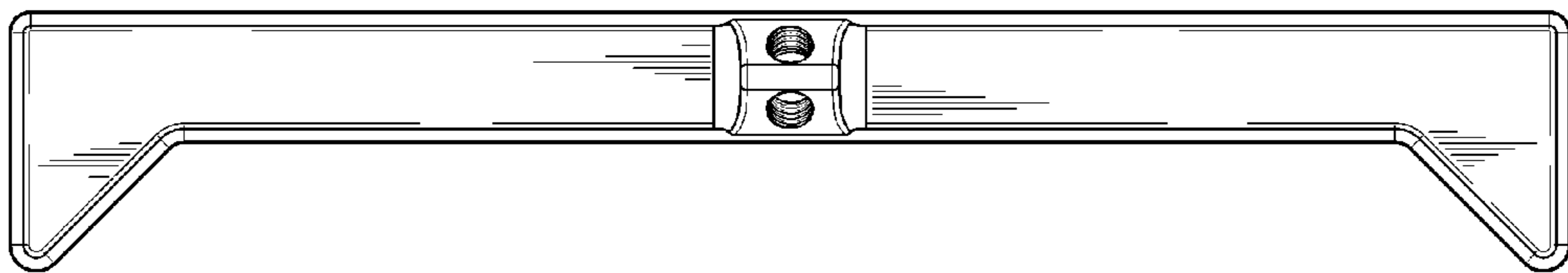


FIG. 4

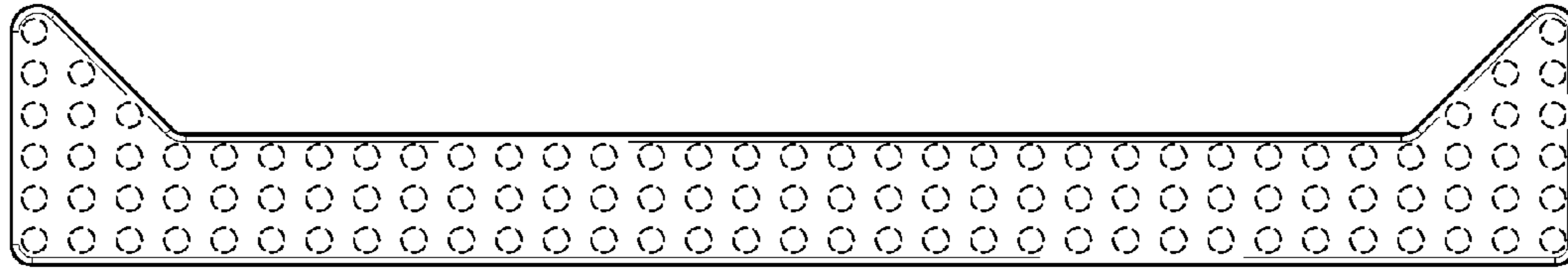


FIG. 5

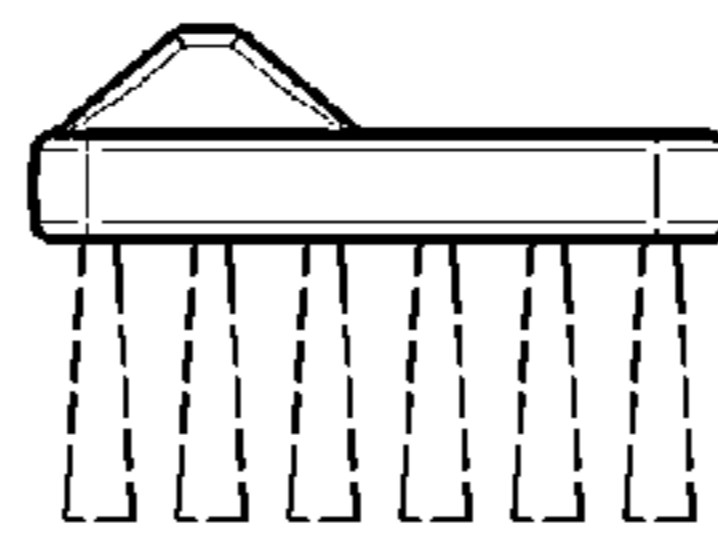


FIG. 6

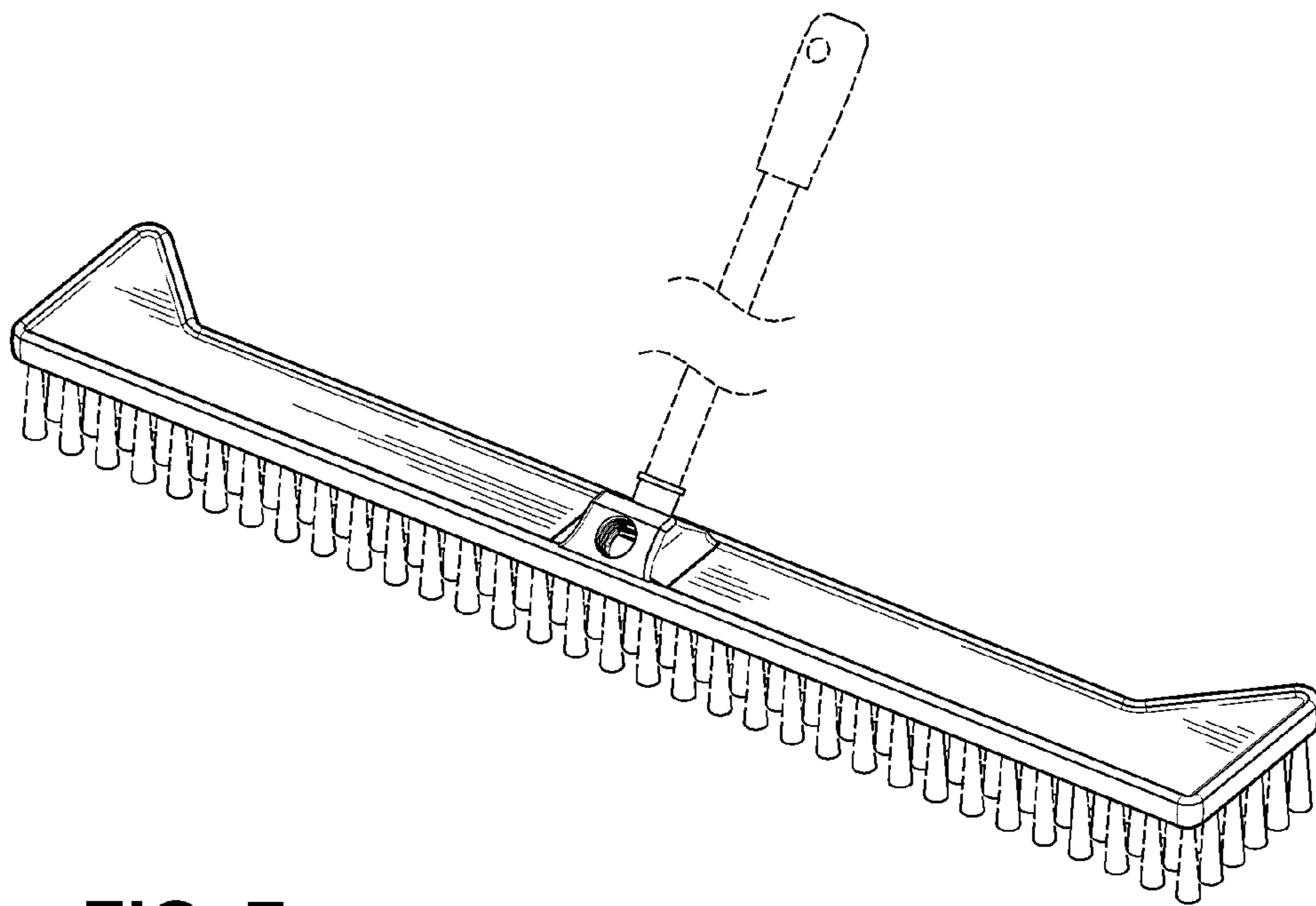


FIG. 7