

US00D693078S

(12) **United States Design Patent**  
**Nordvik**

(10) **Patent No.:** **US D693,078 S**  
(45) **Date of Patent:** **\*\* Nov. 5, 2013**

(54) **PUSH BROOM**

(71) Applicant: **Nathan James Nordvik**, Wayzata, MN (US)

(72) Inventor: **Nathan James Nordvik**, Wayzata, MN (US)

(73) Assignee: **North American Manufacturing Corporation**, Minnetonka, MN (US)

(\*\*) Term: **14 Years**

(21) Appl. No.: **29/453,834**

(22) Filed: **May 3, 2013**

(51) **LOC (9) Cl.** ..... **04-01**

(52) **U.S. Cl.**  
USPC ..... **D32/50; D4/130**

(58) **Field of Classification Search**  
USPC ..... **D32/50; 15/159.1, 160, 161, 110, 112, 15/237; D4/119, 120, 130; D6/583, 592, D6/594**

See application file for complete search history.

(56) **References Cited**

**U.S. PATENT DOCUMENTS**

417,477	A *	12/1889	Dundon	.....	15/54
1,319,493	A *	10/1919	Severance	.....	15/160
1,784,567	A *	12/1930	Aultman	.....	15/160
D143,537	S *	1/1946	LeFebure	.....	D4/132

3,134,129	A	5/1964	Allen		
4,783,868	A *	11/1988	O'Callaghan	.....	15/1.7
D321,793	S	11/1991	Bryant		
5,165,134	A	11/1992	Moore		
D375,632	S *	11/1996	Uranga et al.	.....	D4/132
D386,907	S *	12/1997	Rittenbaum	.....	D4/199
D392,103	S *	3/1998	Zaccheria	.....	D4/132
5,771,519	A *	6/1998	Hrunek	.....	15/104.001
5,774,922	A	7/1998	Bumb		
6,408,477	B1 *	6/2002	Culbreth	.....	15/167.1
D531,813	S *	11/2006	Hill et al.	.....	D4/121

\* cited by examiner

*Primary Examiner* — John Windmuller

(74) *Attorney, Agent, or Firm* — Steven N. Fox, Esq.

(57) **CLAIM**

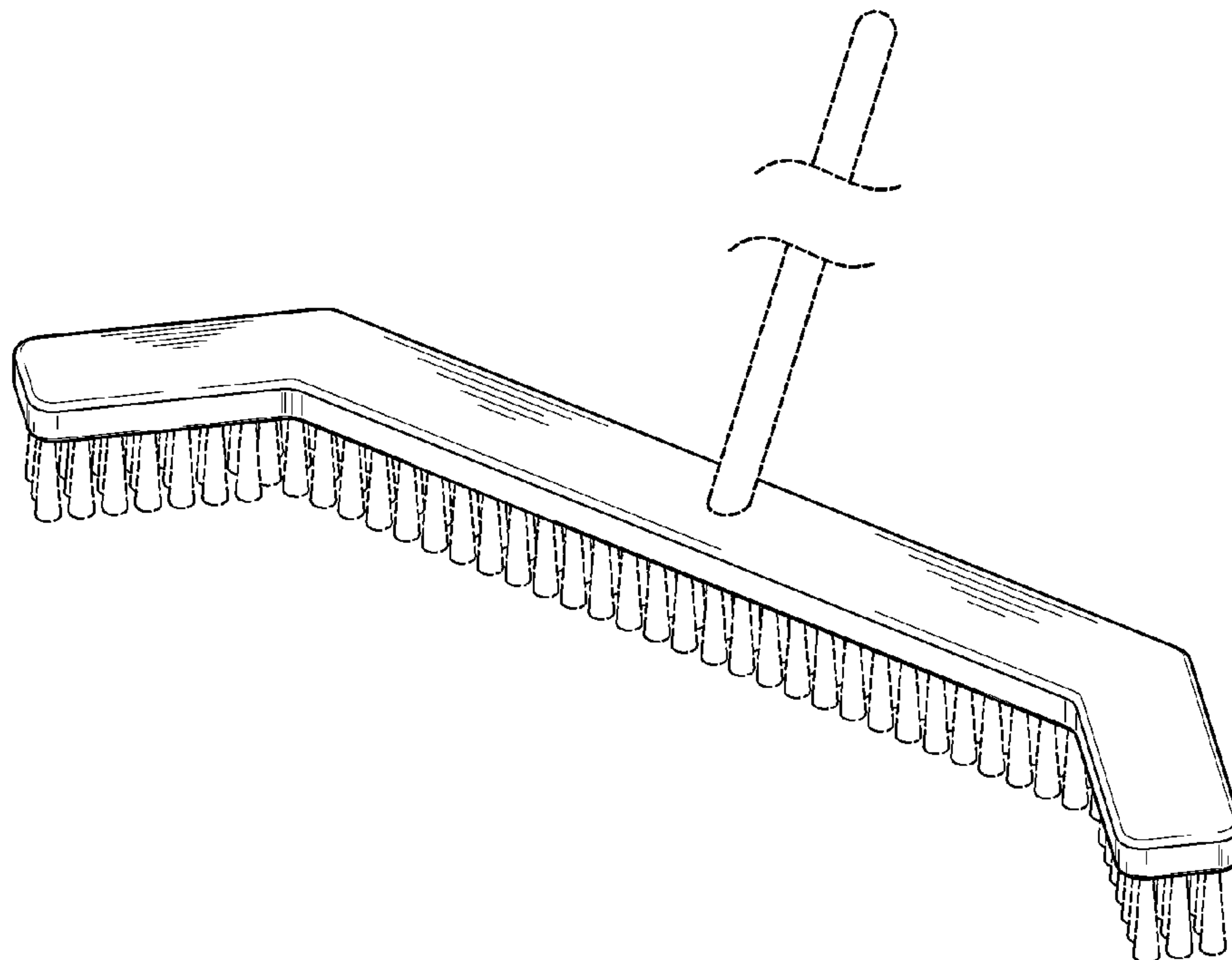
The ornamental design for a push broom, as shown and described.

**DESCRIPTION**

FIG. 1 is a front perspective view of a push broom according to the present invention;  
 FIG. 2 is a front view thereof;  
 FIG. 3 is a rear view thereof;  
 FIG. 4 is a left side view thereof; the right side view being a mirror image thereof  
 FIG. 5 is a top view thereof; and,  
 FIG. 6 is a bottom view thereof.

The broken lines in the drawings illustrate environmental structure and form no part of the claimed design.

**1 Claim, 3 Drawing Sheets**



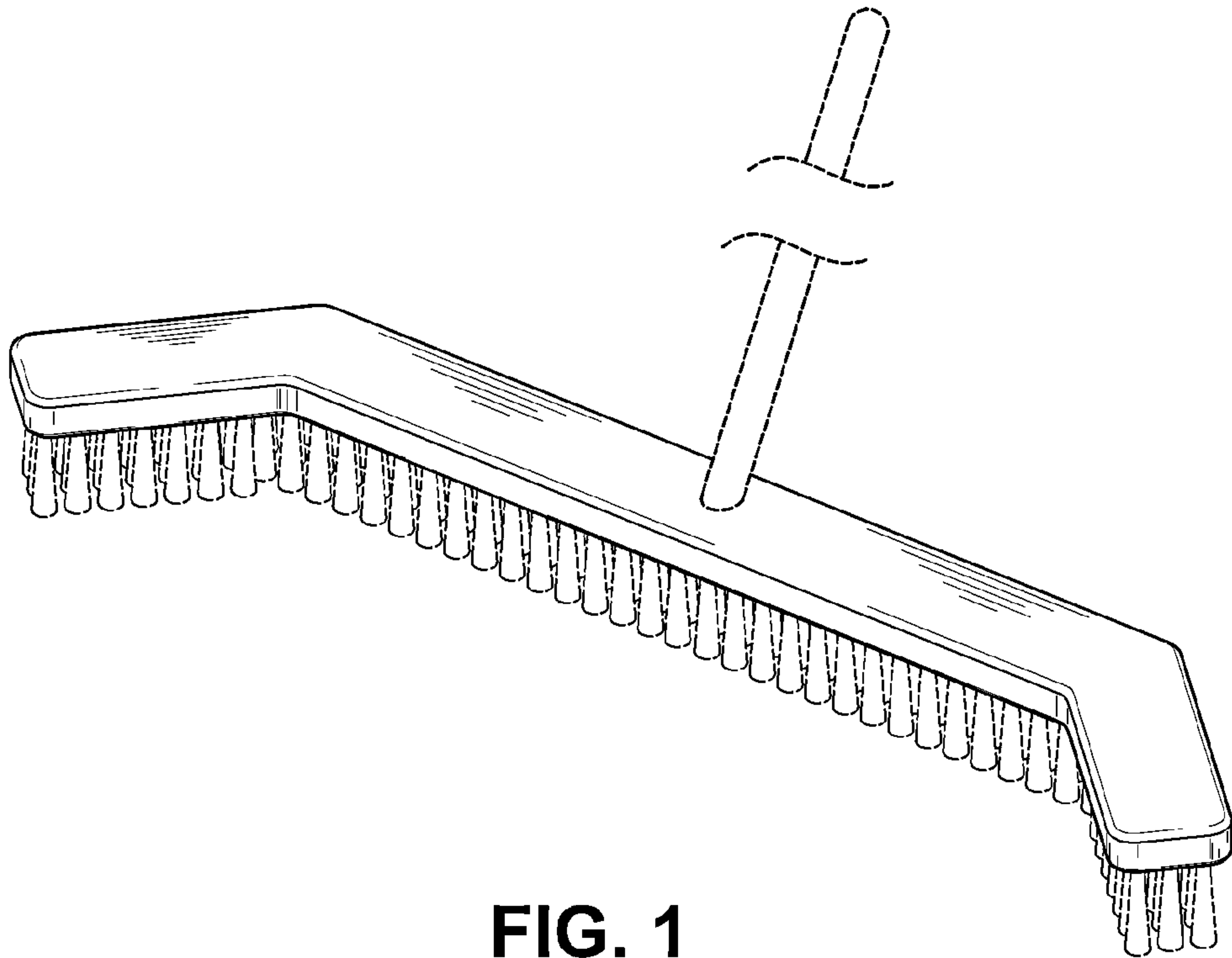


FIG. 1

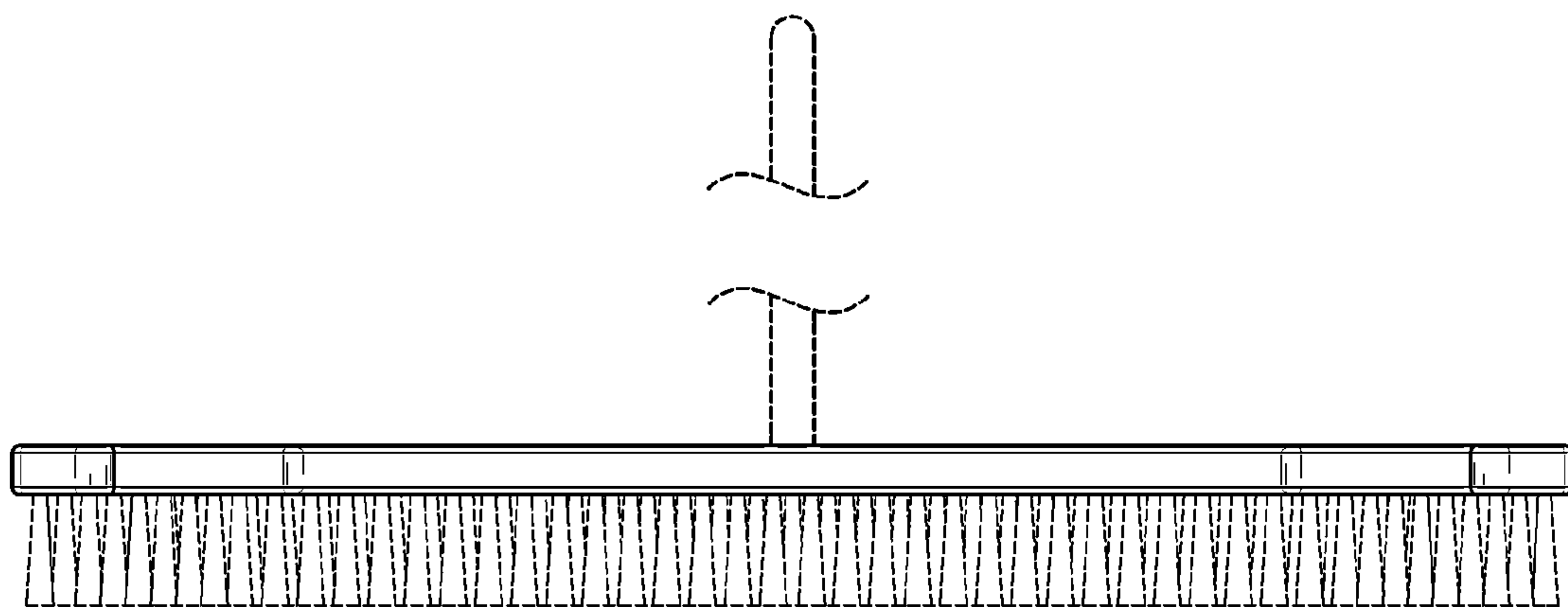
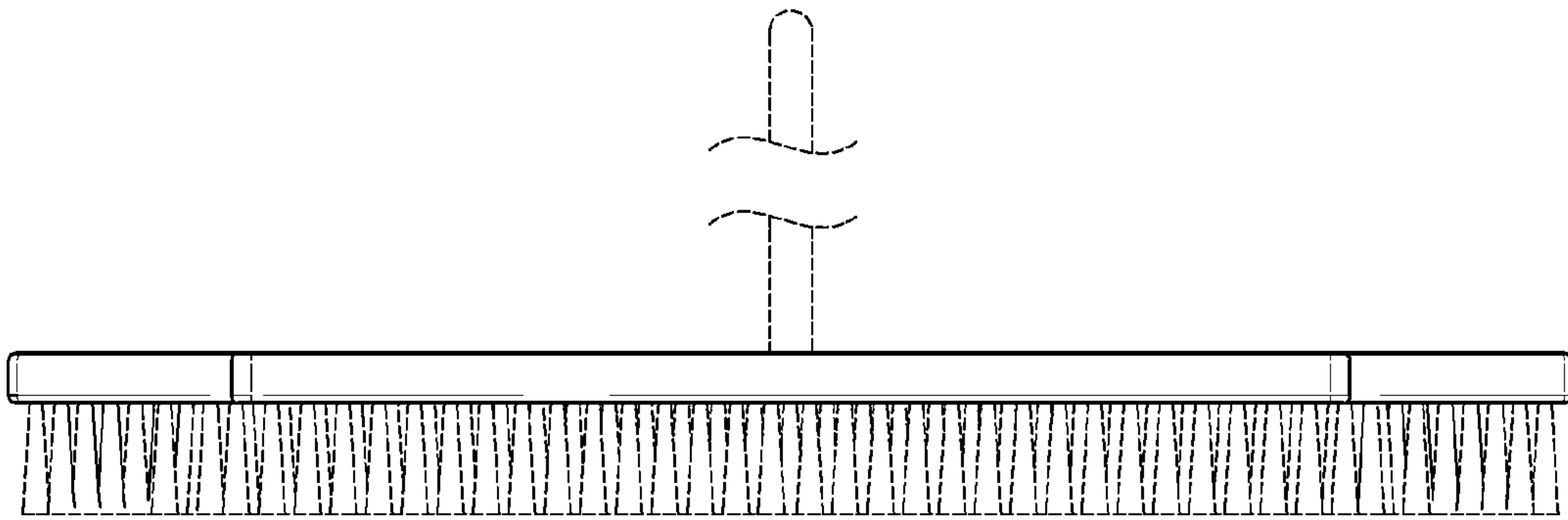
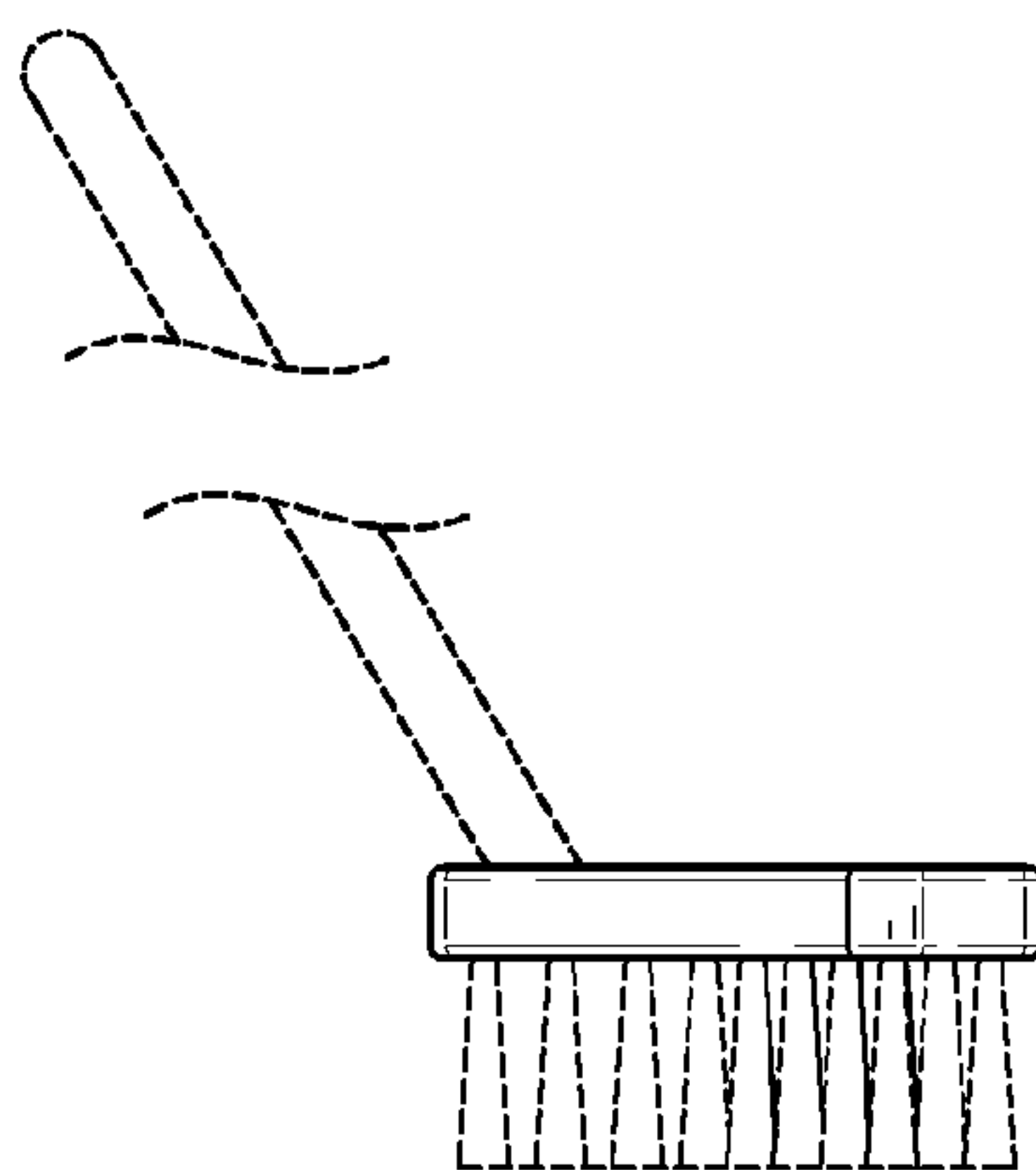


FIG. 2



**FIG. 3**



**FIG. 4**

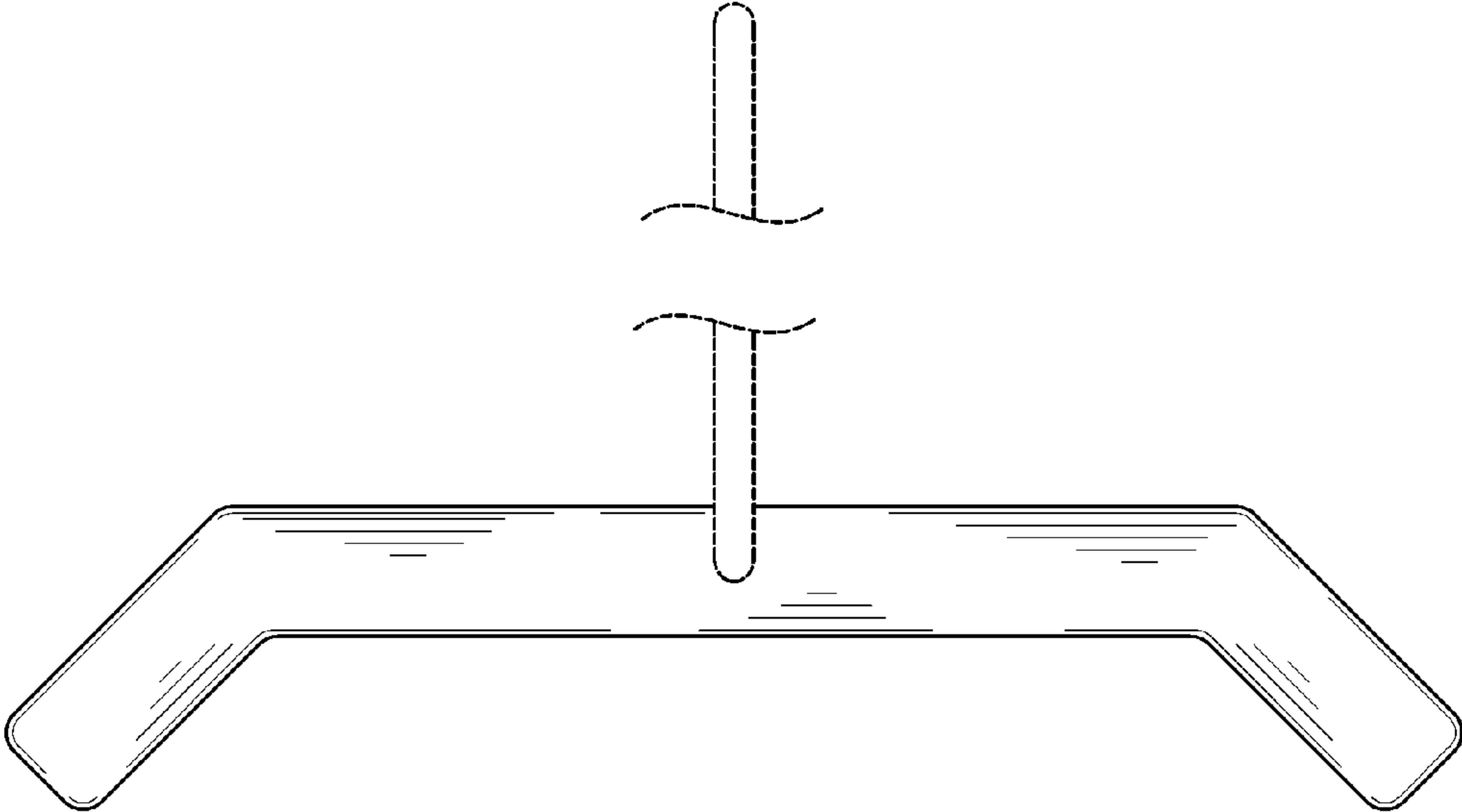


FIG. 5

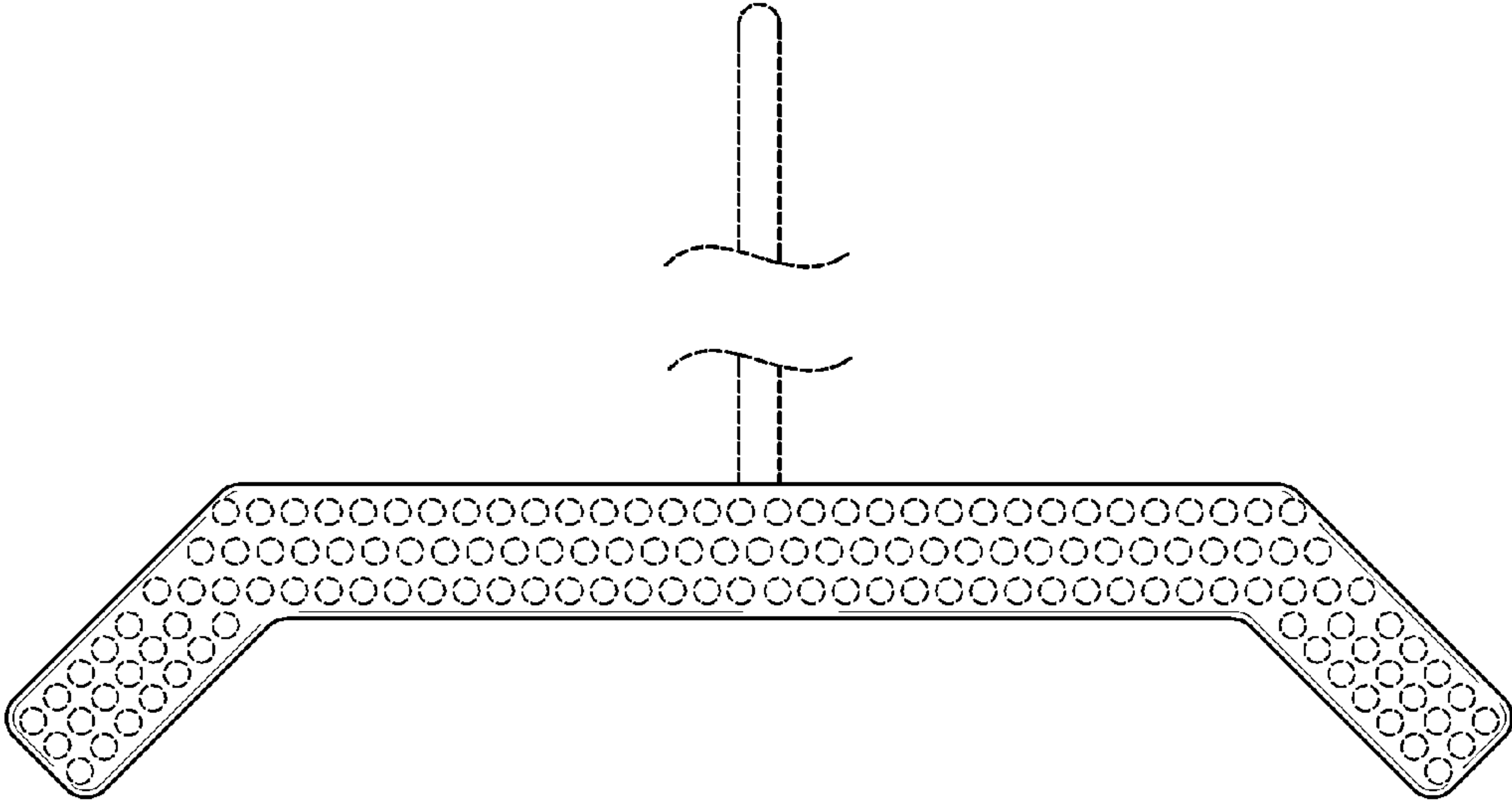


FIG. 6