



US00D693076S

(12) **United States Design Patent**
Nakane et al.

(10) **Patent No.:** **US D693,076 S**
(45) **Date of Patent:** **** Nov. 5, 2013**

(54) **OPTICAL CONNECTOR CLEANER**

(71) Applicant: **Fujikura Ltd.**, Tokyo (JP)

(72) Inventors: **Junichi Nakane**, Sakura (JP); **Akari Kurashige**, Sakura (JP)

(73) Assignee: **Fujikura Ltd.**, Tokyo (JP)

(**) Term: **14 Years**

(21) Appl. No.: **29/450,548**

(22) Filed: **Mar. 19, 2013**

(30) **Foreign Application Priority Data**

Oct. 17, 2012 (JP) 2012-025192

(51) **LOC (9) Cl.** **08-99**

(52) **U.S. Cl.**
USPC **D32/35**

(58) **Field of Classification Search**
USPC D32/35, 40, 45, 52; D19/69; 15/97.1,
15/104.92, 105.51, 107, 118, 209.1, 210.1,
15/214, 231, 320; 134/1, 6, 7; 385/53, 55,
385/85, 134, 135, 147; 386/278
See application file for complete search history.

(56) **References Cited**

U.S. PATENT DOCUMENTS

D420,389	S *	2/2000	Shimizu	D19/69
6,821,025	B2 *	11/2004	Gerhard	385/85
6,905,251	B2 *	6/2005	Fujiwara et al.	385/53
D525,401	S *	7/2006	Kida	D32/35
D529,675	S *	10/2006	Kida	D32/35
7,212,719	B2 *	5/2007	Fujiwara et al.	385/134
7,243,390	B2 *	7/2007	Fujiwara et al.	15/97.1
D609,867	S *	2/2010	Fujiwara	D32/35
D610,319	S *	2/2010	Fujiwara	D32/35
D623,369	S *	9/2010	Sugita et al.	D32/35

D652,082	S *	1/2012	Wu	D19/69
D652,870	S *	1/2012	Wu	D19/69
2006/0191091	A1 *	8/2006	Kida	15/210.1
2007/0023067	A1 *	2/2007	Kida et al.	134/6
2008/0034519	A1 *	2/2008	Fujiwara	15/104.001
2010/0043159	A1 *	2/2010	Fujiwara	15/97.1
2011/0072600	A1 *	3/2011	Nakane et al.	15/97.1
2012/0027384	A1 *	2/2012	Takeda	386/278
2012/0066849	A1 *	3/2012	Fujiwara	15/97.1

* cited by examiner

Primary Examiner — Caron D Veynar

Assistant Examiner — Martie K Holtje

(74) *Attorney, Agent, or Firm* — Sughrue Mion, PLLC

(57) **CLAIM**

The ornamental design for an optical connector cleaner, as shown and described.

DESCRIPTION

FIG. 1 is a top, front perspective view of an optical connector cleaner showing our new design;
 FIG. 2 is a bottom front perspective view thereof;
 FIG. 3 is a front elevational view thereof;
 FIG. 4 is a rear elevational view thereof;
 FIG. 5 is a top plan view thereof;
 FIG. 6 is a bottom plan view thereof;
 FIG. 7 is a left side elevational view thereof;
 FIG. 8 is a right side elevational view thereof;
 FIG. 9 is a front perspective view thereof, with the cap in a stored position;
 FIG. 10 is a rear perspective view of FIG. 9;
 FIG. 11 is a front elevational view of FIG. 9;
 FIG. 12 is a top plan view of FIG. 9;
 FIG. 13 is a left side elevational view of FIG. 9; and,
 FIG. 14 is a bottom perspective view of FIG. 1, with the cap lid shown in an opened condition.

1 Claim, 13 Drawing Sheets

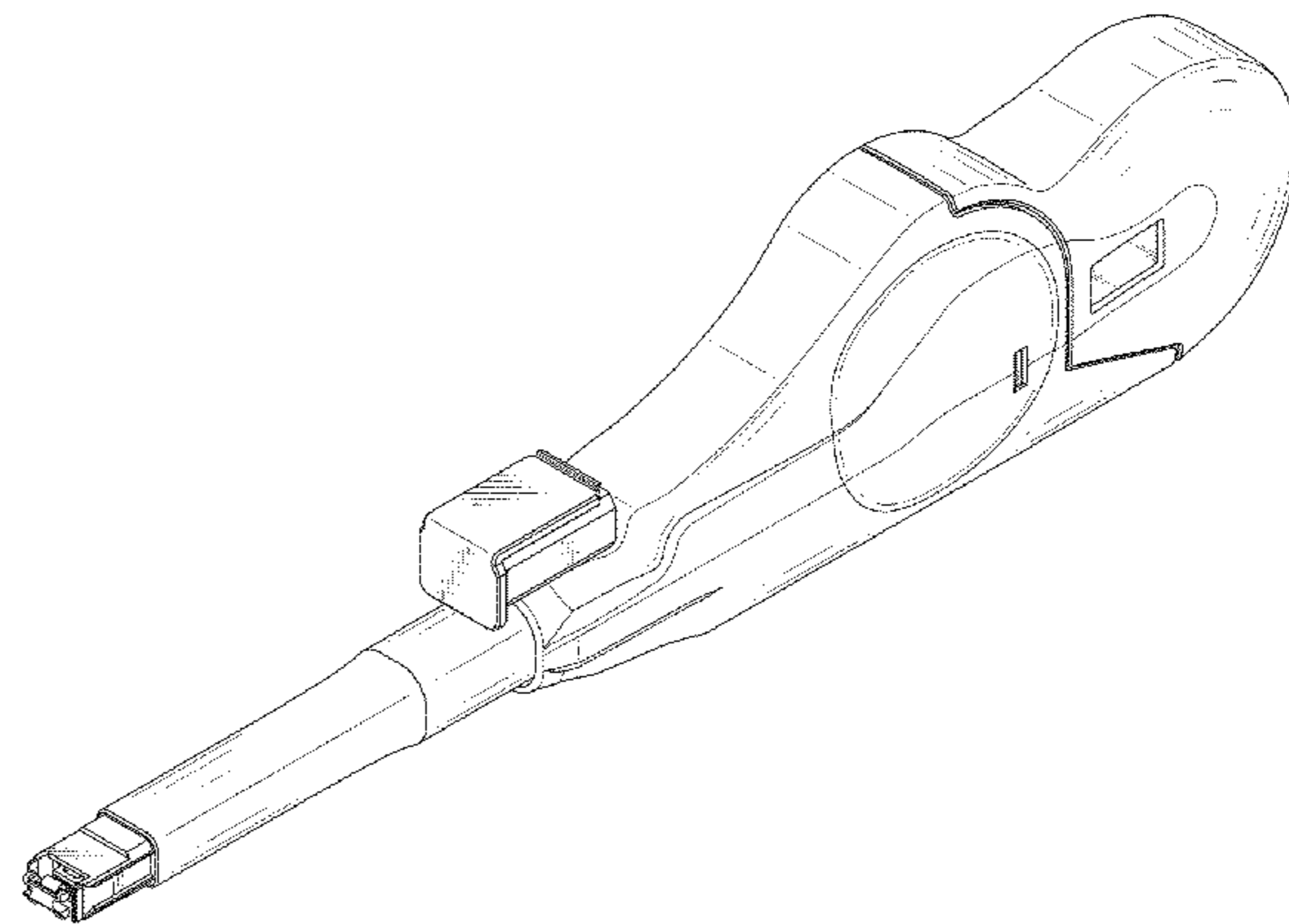
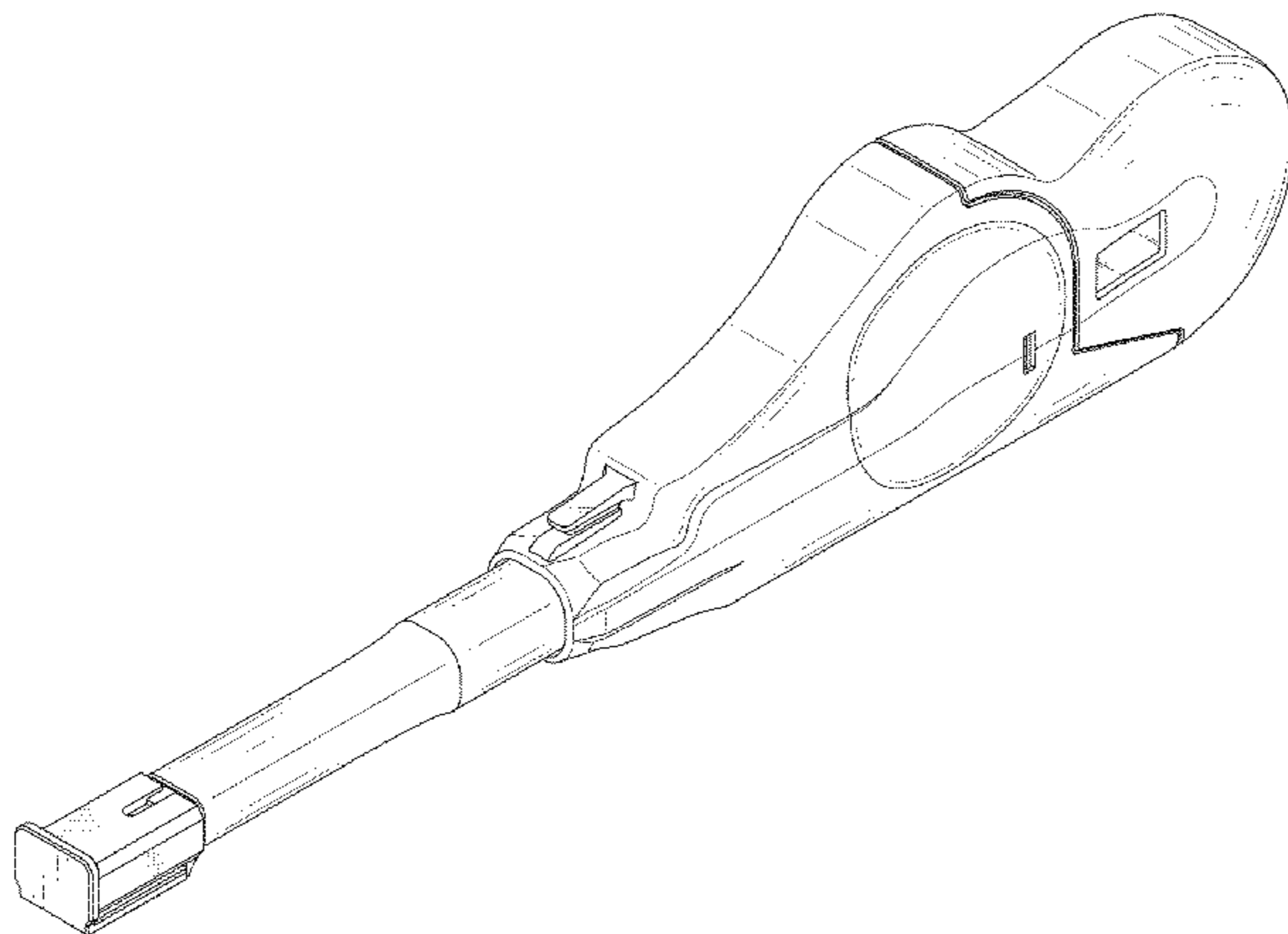


FIG. 1

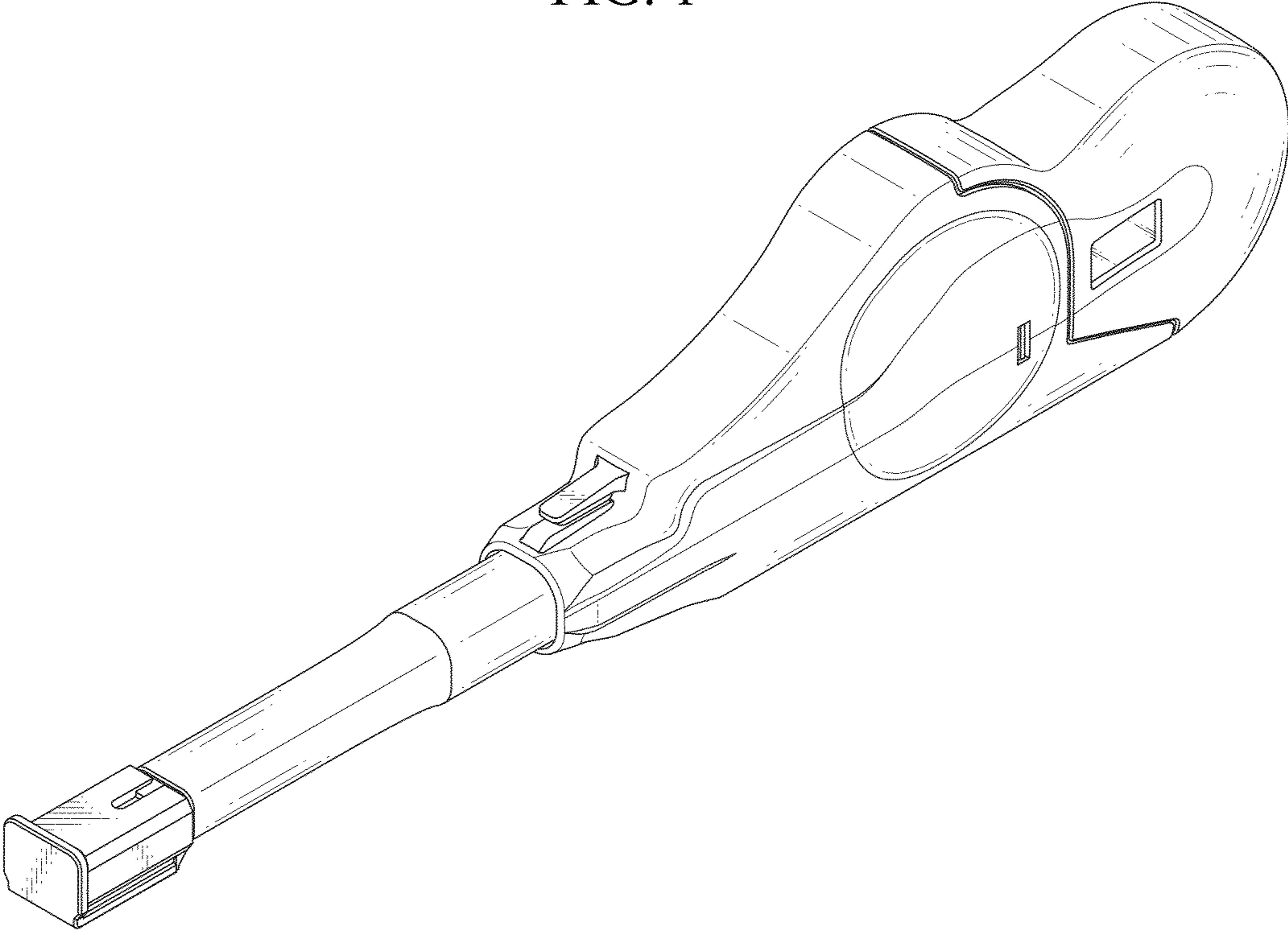


FIG. 2

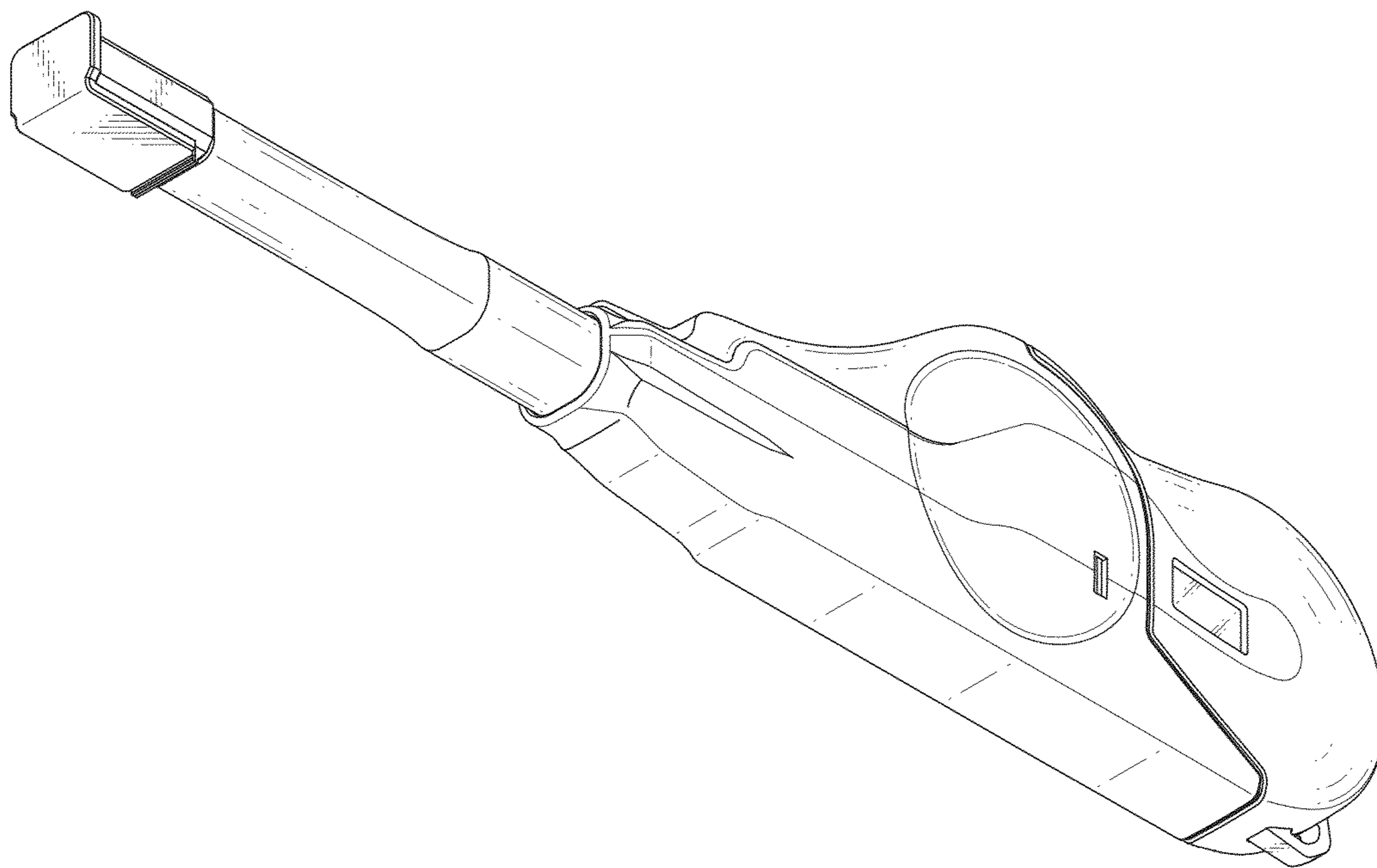


FIG. 3

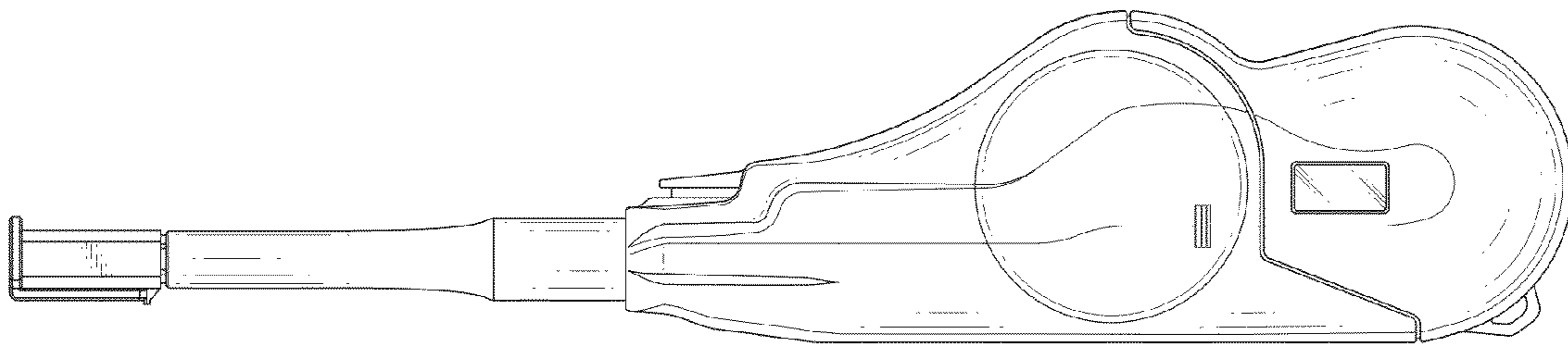


FIG. 4

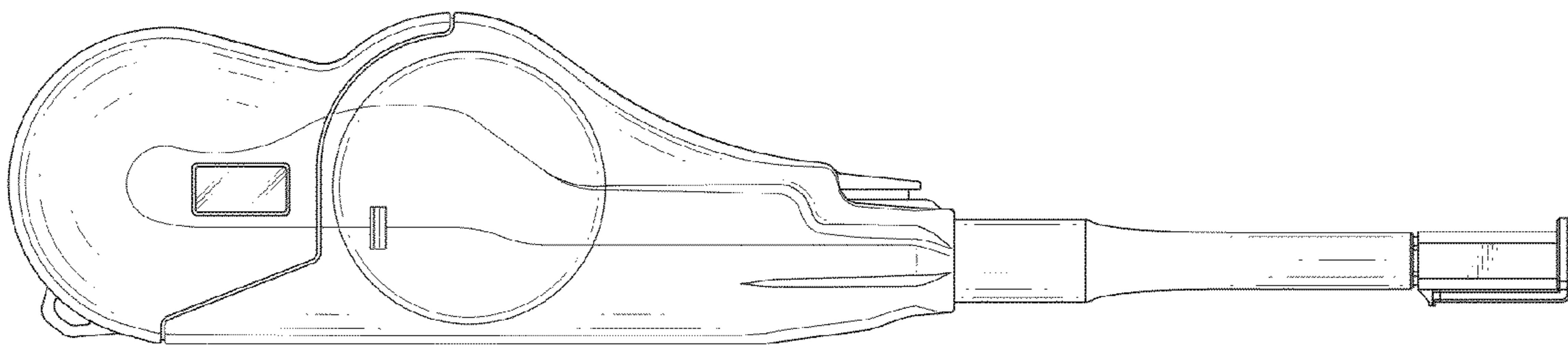


FIG. 5

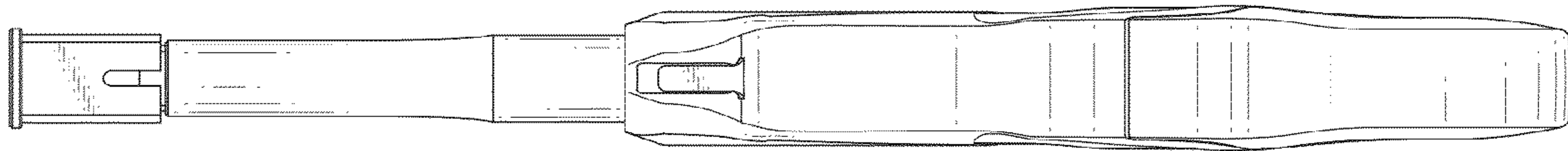


FIG. 6

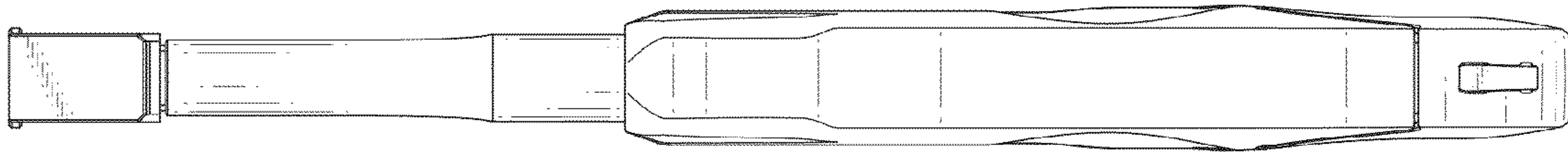


FIG. 7

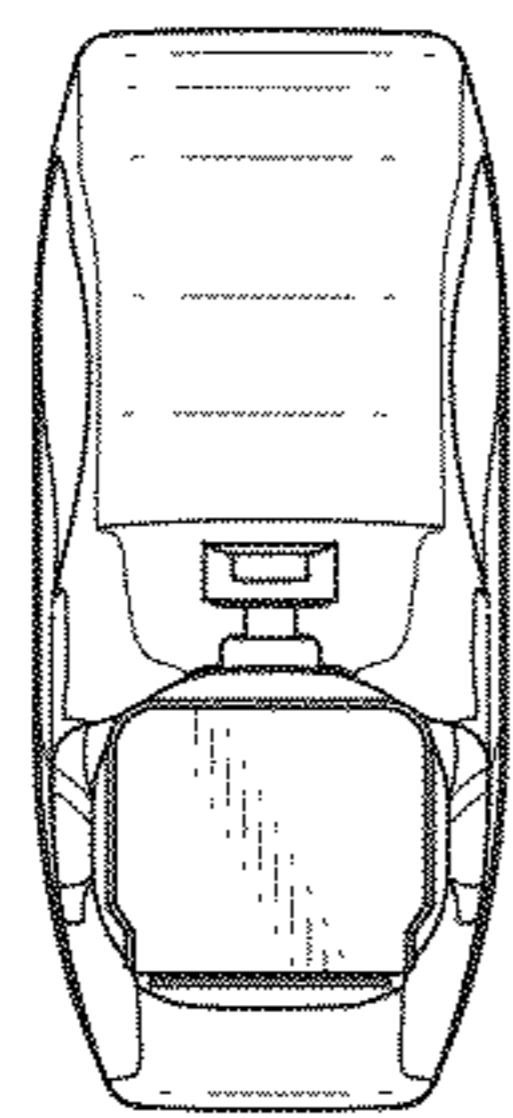


FIG. 8

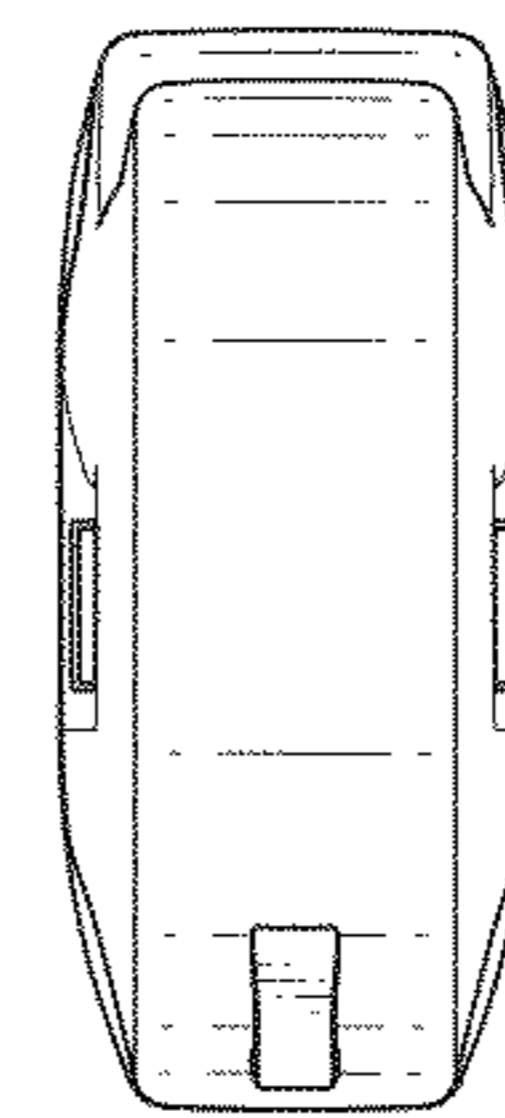


FIG. 9

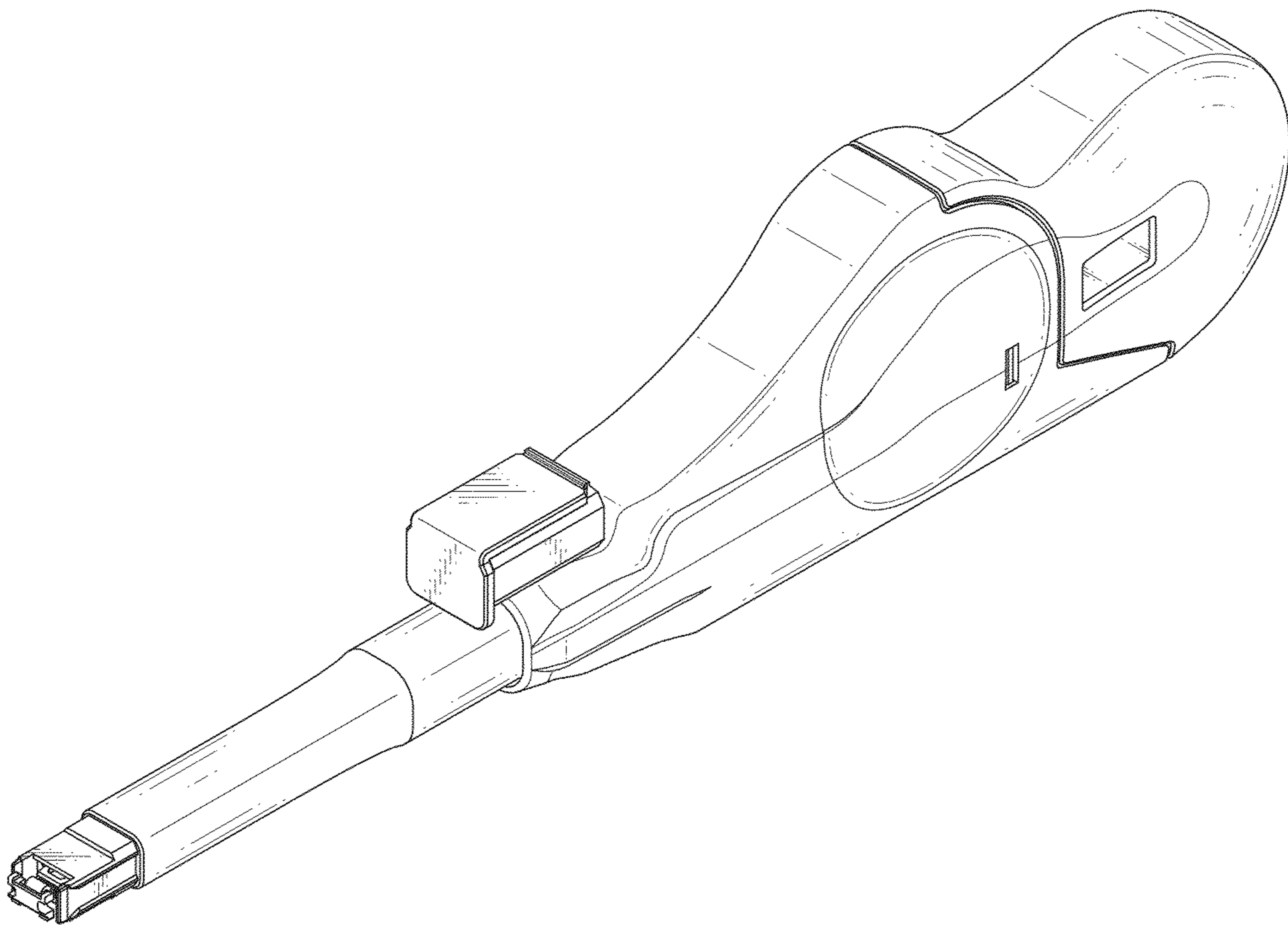


FIG. 10

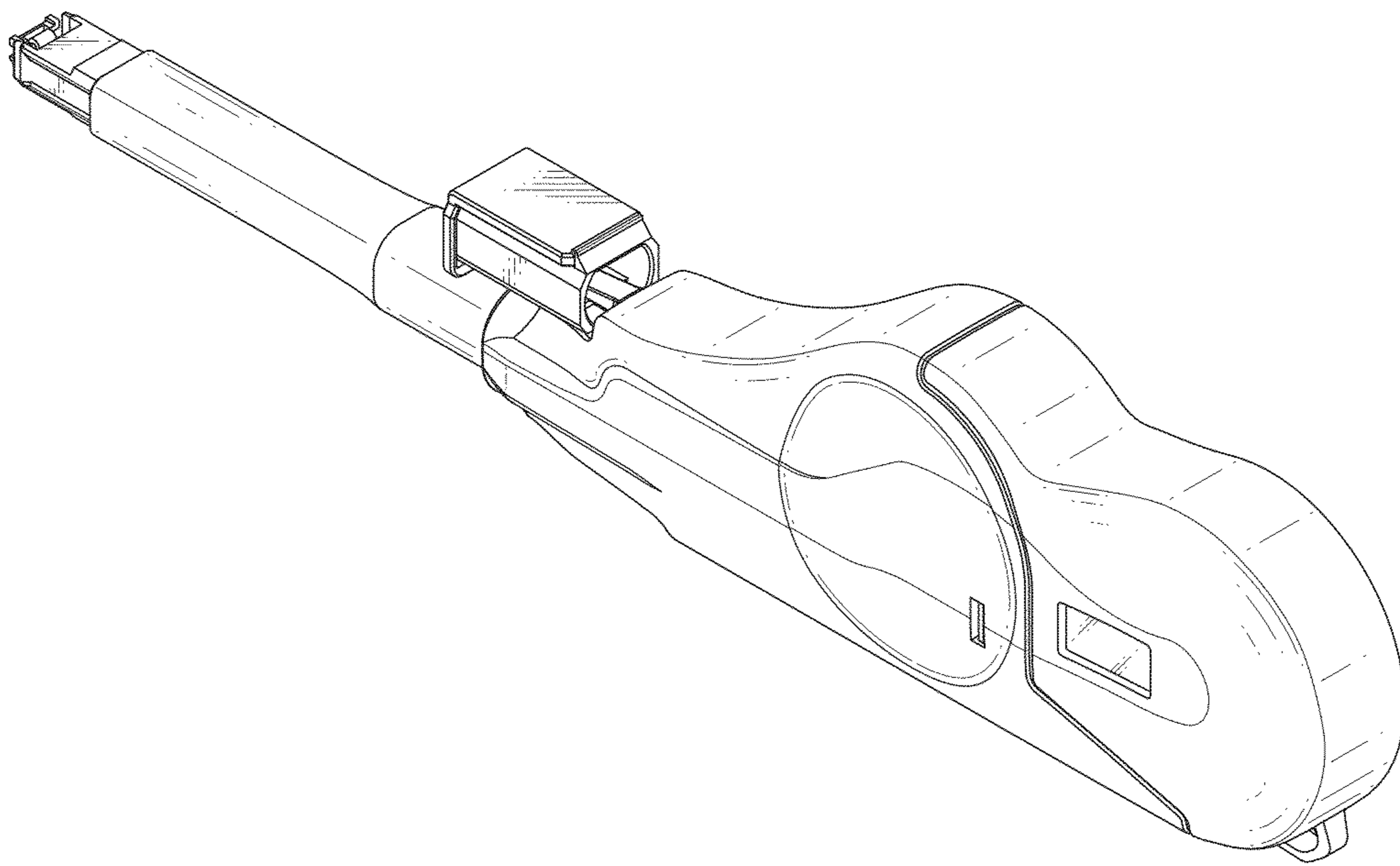


FIG. 11

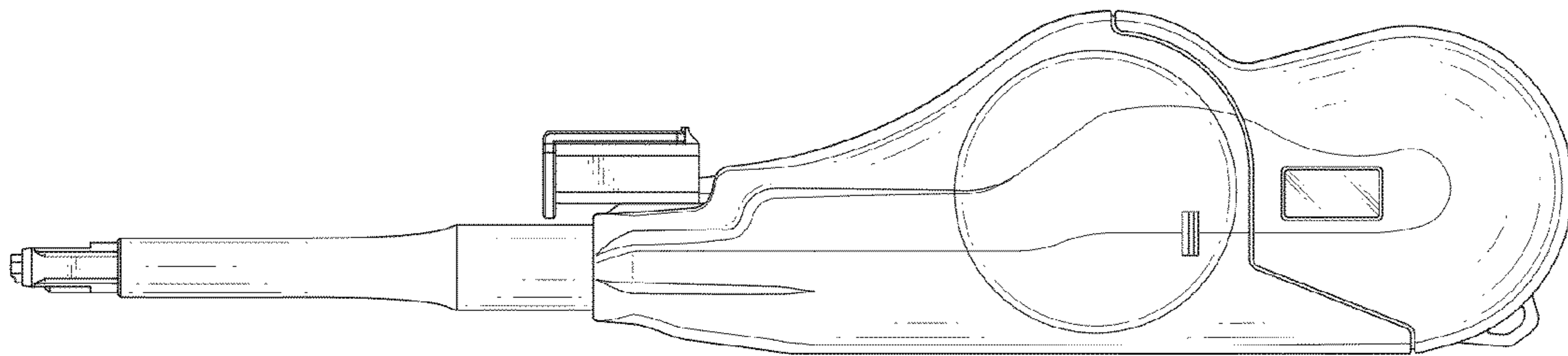


FIG. 12

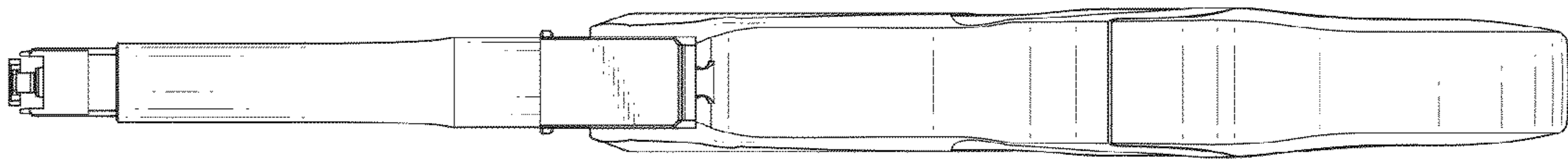


FIG. 13

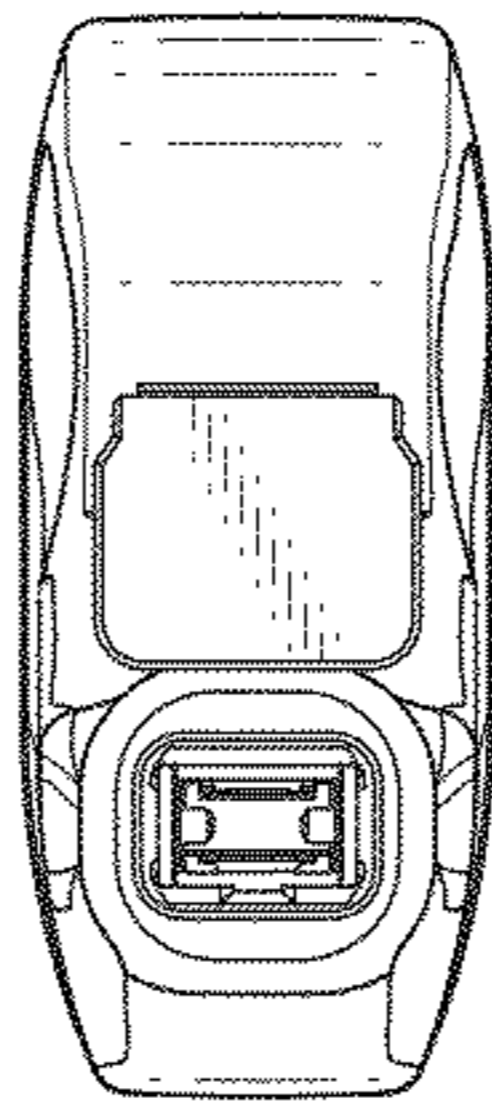


FIG. 14

