



US00D693075S

(12) **United States Design Patent**  
**Hyers**

(10) **Patent No.:** **US D693,075 S**

(45) **Date of Patent:** **\*\* \*Nov. 5, 2013**

(54) **LENS CLEANER**

(75) Inventor: **Michelle L. Hyers**, Greenlawn, NY (US)

(73) Assignee: **Carson Optical, Inc.**, Happaugue, NY (US)

(\* ) Notice: This patent is subject to a terminal disclaimer.

(\*\*) Term: **14 Years**

(21) Appl. No.: **29/419,385**

(22) Filed: **Apr. 27, 2012**

(51) **LOC (9) Cl.** ..... **08-99**

(52) **U.S. Cl.**  
USPC ..... **D32/35; D19/49**

(58) **Field of Classification Search**  
USPC ..... D32/35, 40, 41, 42, 45, 52; D19/41-51, D19/57, 66, 71; D9/529, 725, 726; D4/119, D4/122, 137, 138, 199; D3/200, 208; D28/85, 88, 89; 15/104.002, 104.94, 15/105, 209.1, 214, 244.4, 250.001, 15/250.003; 206/229; 134/6, 9; 401/6, 9, 401/19, 55, 61, 82, 99, 118, 123, 124, 180, 401/195, 196, 202; 510/175

See application file for complete search history.

(56) **References Cited**

**U.S. PATENT DOCUMENTS**

1,261,502	A *	4/1918	Farrows	.....	401/99
2,177,651	A *	10/1939	Harris	.....	401/19
3,021,946	A *	2/1962	Harris	.....	401/61
3,531,814	A *	10/1970	Safalow	.....	15/114
4,818,134	A *	4/1989	Tsai	.....	401/195
4,842,132	A *	6/1989	Wells	.....	206/229
4,927,284	A *	5/1990	Tsai	.....	401/195
5,163,767	A *	11/1992	Lucas	.....	401/202
D362,092	S *	9/1995	Wasak	.....	D32/40
5,475,891	A *	12/1995	Rickey	.....	15/104.94

D411,237	S *	6/1999	Izushima	.....	D19/66
5,993,560	A *	11/1999	Wasak et al.	.....	134/6
D420,807	S	2/2000	Otteman et al.		
D496,398	S *	9/2004	Greenberg	.....	D19/43
6,964,941	B2 *	11/2005	Argentieri et al.	.....	510/175
6,981,811	B2 *	1/2006	Breidenbach et al.	.....	401/6
D550,413	S *	9/2007	Cheng	.....	D32/35
D566,360	S *	4/2008	Ungaro	.....	D32/35
D630,010	S *	1/2011	Brown	.....	D3/208
2002/0197093	A1 *	12/2002	Miyagawa et al.	.....	401/82
2007/0009315	A1 *	1/2007	Wu	.....	401/123

**OTHER PUBLICATIONS**

www.lenspen.com/products.

\* cited by examiner

*Primary Examiner* — Caron D Veynar

*Assistant Examiner* — Martie K Holtje

(74) *Attorney, Agent, or Firm* — Carmody & Torrance LLP

(57) **CLAIM**

The ornamental design for a lens cleaner, as shown and described.

**DESCRIPTION**

FIG. 1 is a perspective view of a lens cleaner showing my new design;

FIG. 2 is a right side elevational view thereof;

FIG. 3 is a left side elevational view thereof;

FIG. 4 is a front elevational view thereof;

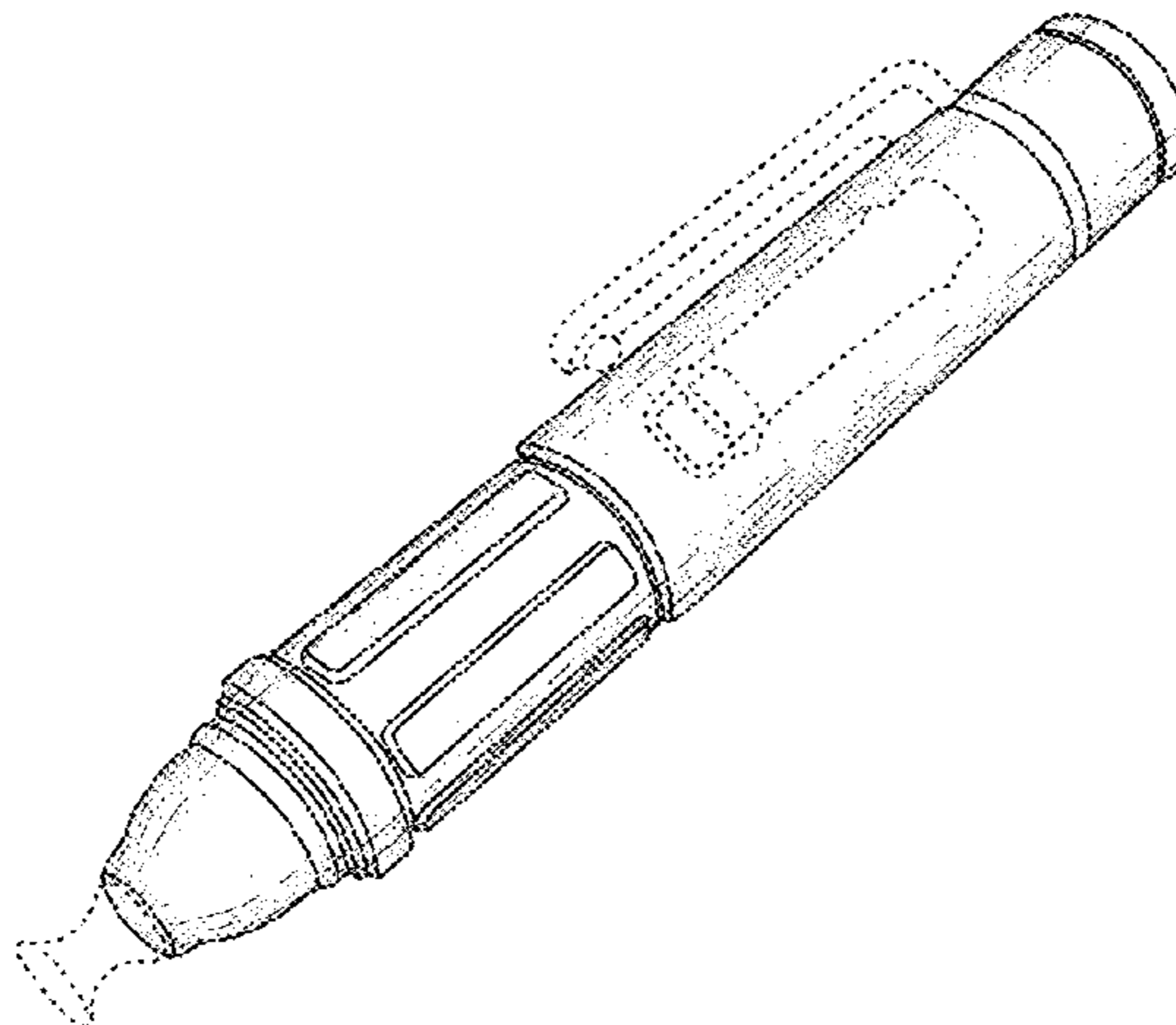
FIG. 5 is a rear elevational view thereof;

FIG. 6 is a bottom plan view thereof drawn to an enlarged scale; and,

FIG. 7 is a top plan view thereof drawn to an enlarged scale.

The dotted lines throughout all the figures are intended to show features that are environmental only and form no part of the claimed design. In addition, there are broken lines in FIGS. 1, 2 and 3 that define bounds of the claimed design in which the area therein form no part thereof.

**1 Claim, 4 Drawing Sheets**



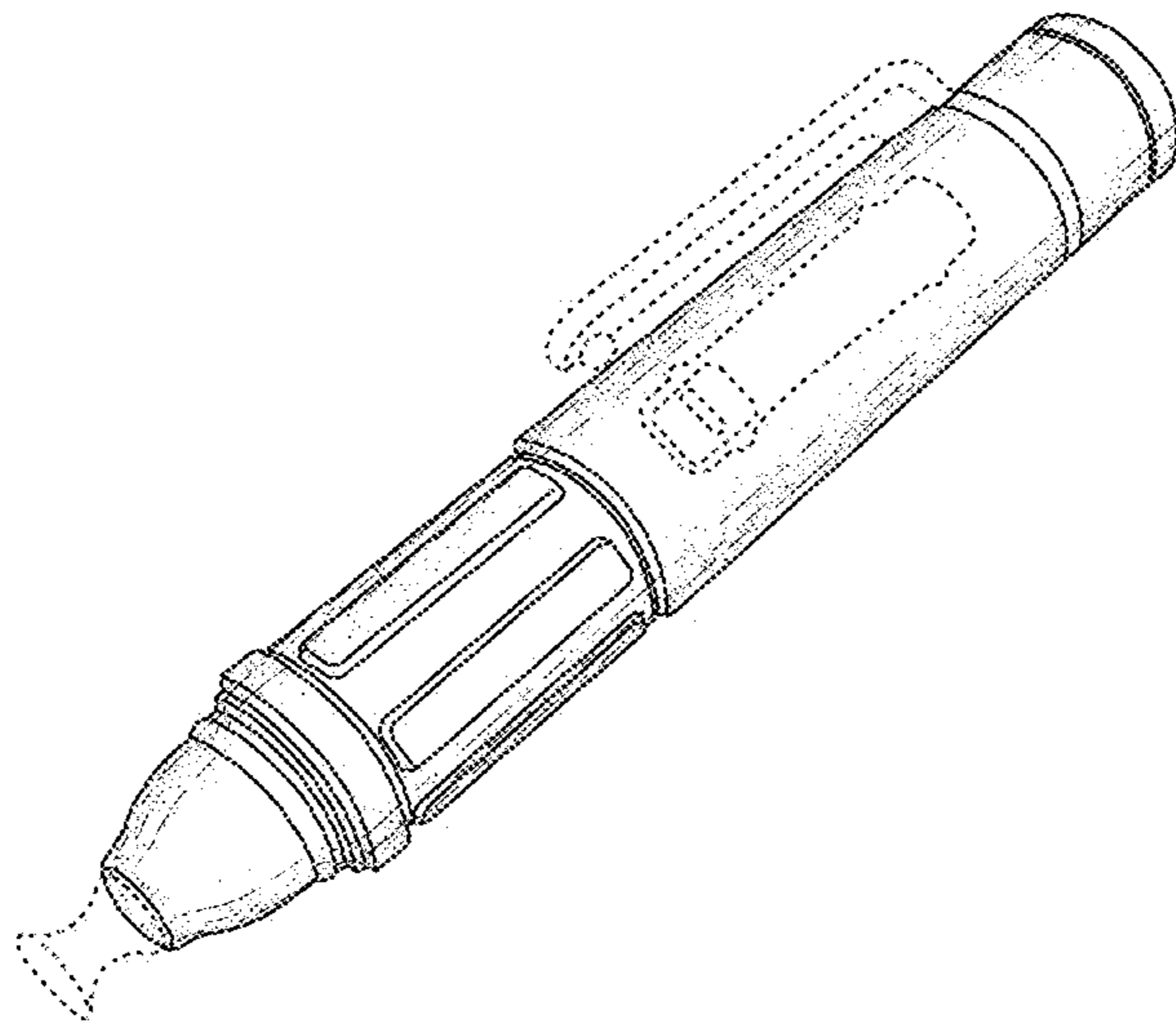


Fig. 1

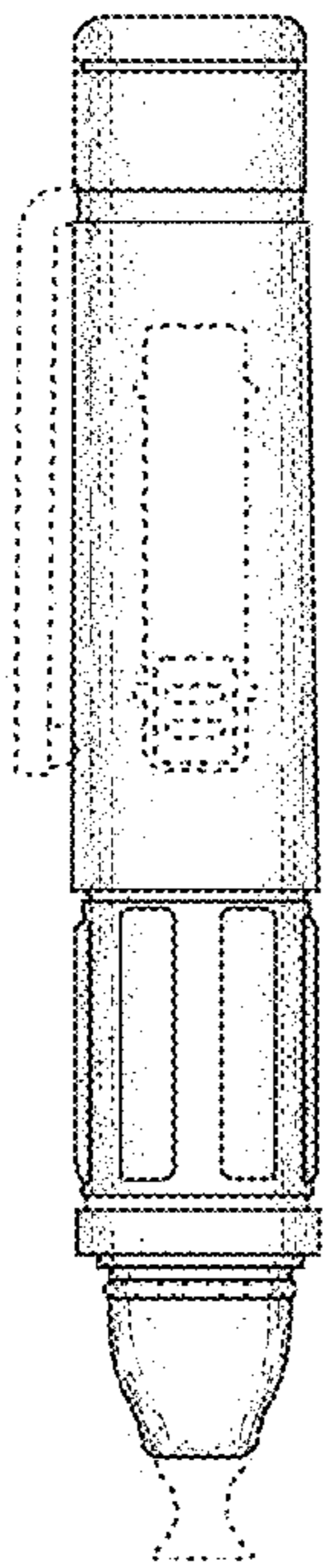


Fig. 2

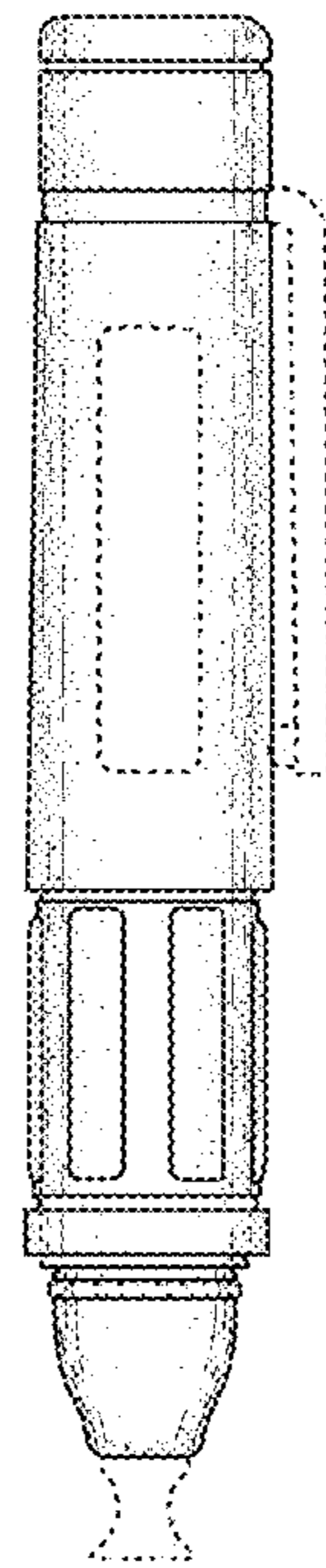


Fig. 3

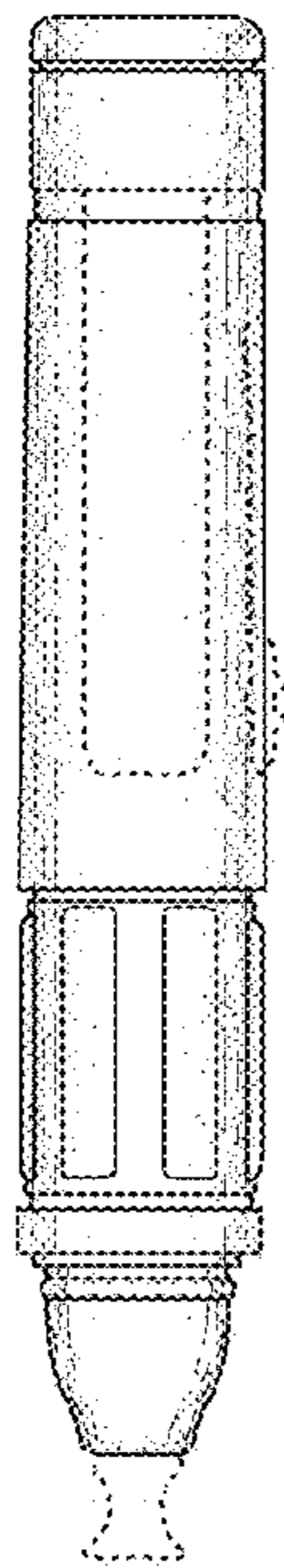


Fig. 4

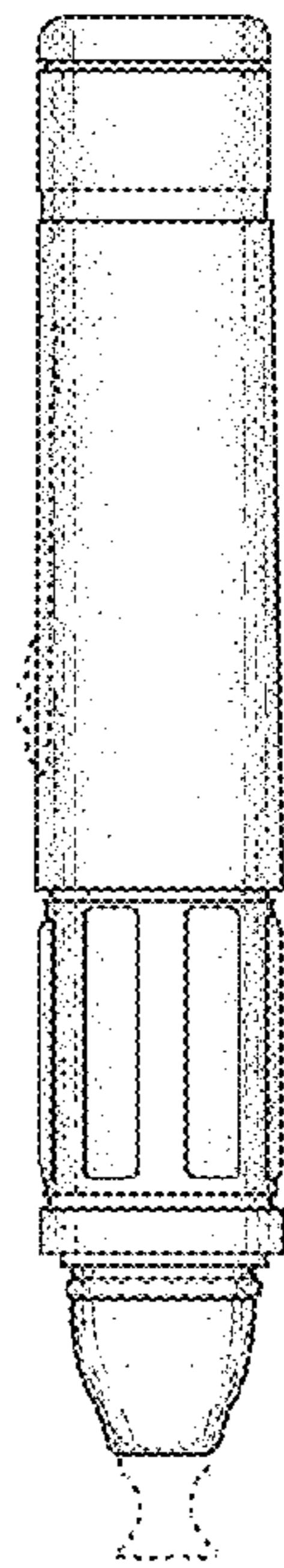


Fig. 5

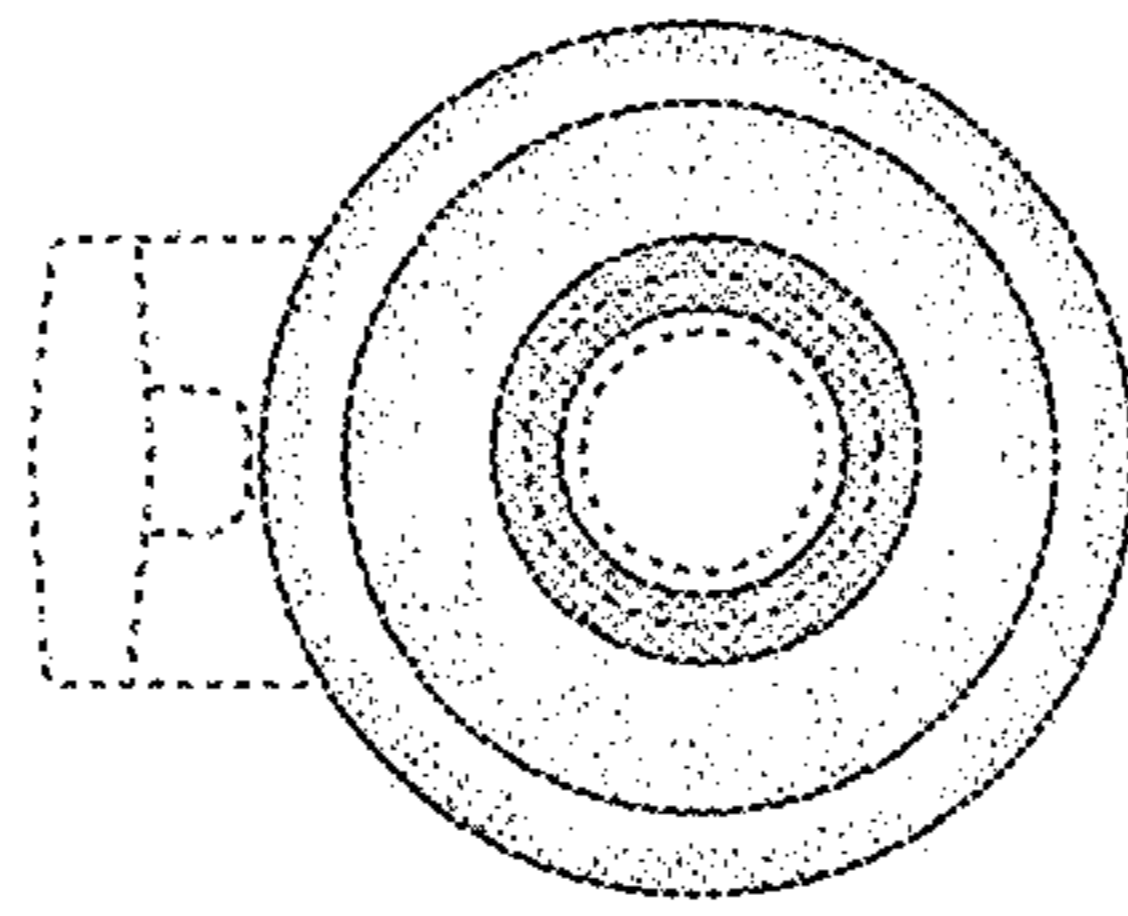


Fig. 6

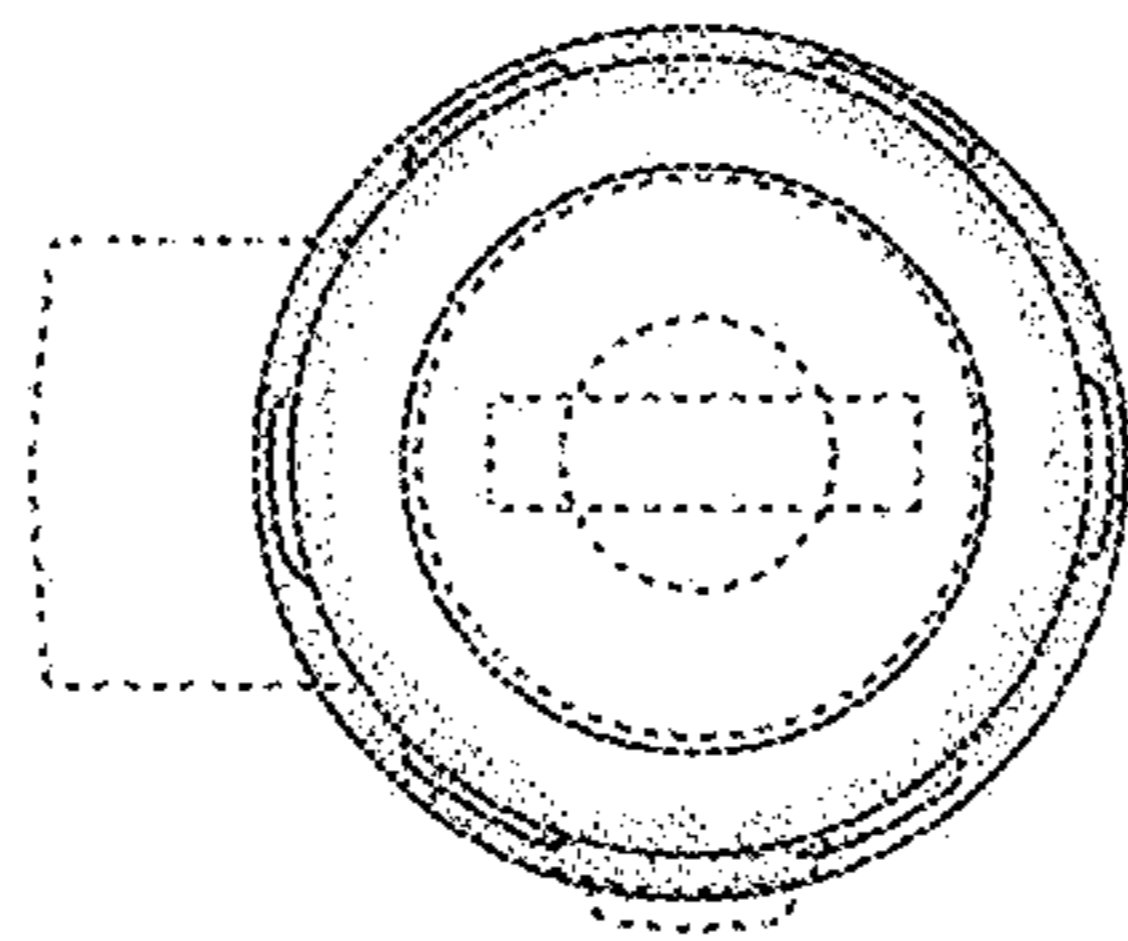


Fig. 7